

Grumman Mallard
AMPHIBIAN

Model G-73



**ILLUSTRATED
PARTS CATALOG**

GRUMMAN AIRCRAFT ENGINEERING CORP. BETHPAGE, L. I., NEW YORK

TABLE OF CONTENTS

Figure	Page	Figure	Page
SECTION I			
INTRODUCTION.....			
1	6	37	78
SECTION II			
GROUP ASSEMBLY PARTS LIST...			
Wing Center Section			
2	8	38	80
3	10	39	80
4	12	40	82
5	16	41	82
6	18	42	84
7	20	43	84
8	22	44	86
9	24	45	88
10	26	Flap	
11	26	46	92
12	28	47	94
13	30	Tail	
14	34	48	98
15	36	49	100
16	42	50	102
17	44	51	106
18	48	52	106
19	50	53	108
20	50	54	112
21	52	55	114
22	52	56	116
23	54	57	116
24	56	Hull	
25	58	58	118
26	60	59	120
27	60	60	124
28	64	61	126
29	66	62	128
30	66	63	130
Wing Outer Panel			
31	68	64	134
32	70	65	136
33	72	66	138
34	74	67	140
35	74	68	144
36	78	69	146
		70	148
		71	150
		72	152
		73	154
		74	156
		75	158
		76	160
		77	162
		78	164
		79	166
		80	168

SECTION I
INTRODUCTION

1. GENERAL.

a. This Illustrated Parts Catalog has been prepared for the Grumman Model G-73 Airplanes.

b. This catalog consists of a Table of Contents followed by four sections, namely: Section I, Introduction; Section II, Group Assembly Parts List; Section III, Special Tools and Section IV, Numerical Index.

c. The breakdown used in this catalog employs a system of columns and indentions to show relationship of parts to one another. The attaching parts of any assembly or detail part are listed below and indented one column to the right of the assembly. The items composing this assembly are listed immediately following and in the same column as the attaching parts, as shown in the following general outline:

Nomenclature

1 2 3 4 5 6 7

Assembly

- . Attaching parts for Assembly
- . Subassemblies
- . . Attaching parts for Subassemblies
- . . Detail parts of Subassemblies
- . . Sub-subassemblies
- . . . Attaching parts for Sub-subassemblies
- . . . Detail parts of Sub-subassemblies

2. SYMBOLS.

a. The symbol (iap) immediately following the nomenclature of a part in the text signifies that the part when purchased, is furnished "including attaching parts" as shown indented in the text following the part they attach. In instances where it is impractical to illustrate the attaching parts on an assembly or installation, this assembly is referenced to another figure where the attaching parts are listed and indented in the text and shown on the illustration.

b. Left and right non-interchangeable parts are indicated by the letters L or R immediately following the nomenclature. Where the symbol (LH) appears on the extreme right hand side of the nomenclature

but separate from it, it indicates that the part is used on the "left hand" assembly of which it is a part. If (RH) appears, it indicates that the part is used on the "right hand" assembly of which it is a part.

3. CROSS REFERENCES.

In the text of a number of the illustrations, certain parts are shown and cross referenced to another figure and index number where the parts of the referenced item are illustrated. These references are shown as follows: "See Figure—."

4. PARTS NUMBERING SYSTEM.

a. GSR NUMBERS.—For convenience in servicing airplanes and the suppling of spares, a number of assemblies are required, whose assemblies and sub-assemblies are not shown in their entirety on any one drawing but are a combination of parts taken from detail and assembly or installation drawings. In order that these assemblies and sub-assemblies may be readily identified, a system of Grumman Service Report numbers has been introduced. A Grumman Service Report number is made of the letters GSR, plus a number to designate the particular sub-assembly. GSR prints, which will list Bill of Material of each number, are available.

b. G. NUMBERS—"G" numbers are issued to cover Grumman Standard parts which are not AN, NAF or AC Standard. Example: G169-416.

c. GT NUMBERS.—Part numbers starting with the letters GT (Grumman Tool) are assigned by the company for specially designed tools.

d. SP NUMBERS.—A part number preceded by the letters SP designates a special Grumman drawing.

e. "L" AND "R" PARTS.—Left and right non-interchangeable parts are indicated by the letters L or R appended to the part number.

5. INSTRUCTIONS FOR USING THE CATALOG.

a. When the part number is known and it is desired to find the illustration of the part, the following steps will locate it:



- bk.....J-6, J-9 and J-22
- bl.....Used on scheduled air carrier airplanes operating outside Continental United States
- bm.....J-2 to J-7 inclusive
- bn.....J-10 to J-13 inclusive
- bo.....J-14 and subsequent
- bp.....J-2 only
- bq.....J-3 only
- br.....J-4 and J-6 to J-9 inclusive
- bs.....J-5 only
- bt.....J-10 only
- bu.....J-11 to J-20 inclusive
- bv.....J-1 to J-43 inclusive
- bw.....J-21 to J-31 inclusive
- bx.....J-32 to J-34 inclusive, and subsequent to J-34 air carrier airplanes
- by.....J-35 and subsequent standard airplanes
- bz.....J-2, J-5 and J-11 to J-20 inclusive
- ca.....J-2 and J-3
- cb.....J-4 to J-9 inclusive
- cc.....J-9 and subsequent
- cd.....J-13 and subsequent
- ce.....J-8 to J-12 inclusive
- cf.....J-9 to J-12 inclusive, and J-13 and subsequent standard airplanes
- cg.....J-8 to J-13 inclusive
- ch.....J-1 to J-20 inclusive by special order and J-21 and subsequent
- ci.....J-1 to J-20 inclusive
- cj.....J-21 and subsequent
- ck.....J-1 to J-20 inclusive, except those with tail strut, part no. 108070
- cl.....All airplanes except those equipped with special copilot brakes, part no. 109250
- cm.....J-1 and J-3
- cn.....J-4 to J-8 inclusive and J-13 to J-31 inclusive
- co.....J-32 and subsequent standard airplanes
- cp.....J-4 and subsequent
- cq.....J-4 to J-8 inclusive, J-13 and subsequent standard airplanes
- cr.....J-1 to J-3 inclusive
- cs.....J-9 to J-12 and subsequent to J-13 air carrier airplanes
- ct.....J-1 only
- cu.....J-4 to J-8 inclusive
- cv.....J-11 and subsequent air carrier airplanes
- cw.....J-9 and subsequent standard airplanes
- cx.....J-24 to J-31 inclusive
- cy.....J-32 and subsequent
- cz.....J-24 and subsequent
- da.....J-1 to J-31 inclusive air carrier airplanes and furnished by special order
- db.....J-32 and subsequent air carrier airplanes and furnished by special order
- dc.....Only those airplanes equipped with radio system No. 11
- dd.....Only those airplanes equipped with radio system No. 10
- de.....J-1 to J-31 inclusive

7. MANUFACTURER'S LIST

Adel Precision Products Corp.
6769 Romaine Street
Hollywood, California

Aeroquip Corporation
Jackson, Michigan

Aerotec Company
61 Westchester Avenue
White Plains, New York

Aero Supply Manufacturing Co.
Corry, Pennsylvania

Aircraft Marine Products, Inc.
1523 North 4th Street
Harrisburg, Pennsylvania

Airex Manufacturing Co., Inc.
5-33 48th Avenue
Long Island City 1, New York

Air Associates, Inc.
Teterboro, New Jersey

Allied Control Company, Inc.
2 East End Avenue
New York 21, New York

American Bosch Corporation
1819 Broadway
New York City, New York

The American Erass Co.
Waterbury 88, Connecticut

American Chain & Cable Co., Inc.
Automotive and Aircraft Division
6-235 General Motors Building
Detroit 2, Michigan

American Phenolic Corp.
1830 S. 54th Avenue
Cicero, 50 Chicago, Illinois

Arrow, Hart & Hegeman Electric
Switch Company
155 East 44th Street
New York 17, New York

Avia Products Company
7266 Beverly Boulevard
Los Angeles, California

Aviometer Corporation
370 West 35th Street
New York, New York

Baldwin-Duckworth Division
Chain Belt Company
19 Rector Street
New York 6, New York

Barber-Colman Company
117 Loomis Street
Rockford, Illinois

Bendix Aviation Corp.
South Bend, Indiana

Bendix Radio
Baltimore, Maryland

Boots Aircraft Nut Corp.
50 John Street
Stamford, Connecticut

Bridgeport Fabrics, Inc.
805 Wood Avenue
Bridgeport, Connecticut

Burndy Engineering Co.
107 Eastern Boulevard
New York City, New York



Parker Appliance Company
17325 Euclid Avenue
Cleveland 12, Ohio

Parker Kalon Corp.
200 Varick Street
New York City, New York

Peerless Radio Distributors
92-32 Merrick Road
Jamaica, Long Island, New York

Peter Forg Manufacturing Co.
50 Park Street
Somerville, Massachusetts

Pittsburgh Equitable Meter
Division of Rockwell Manufac-
turing Co.
411 North Lexington Avenue
Pittsburgh 8, Pennsylvania

Pratt & Whitney Aircraft Corp.
East Hartford 8, Connecticut

Pump Engineering Service Corp-
oration Division of
Borg-Warner Corp.
11610 Euclid Avenue
Cleveland 6, Ohio

Pyrene Manufacturing Co.
560 Belmont Avenue
Newark 8, New Jersey

Rome Cable Company
Rome, New York

Romec Pump Company
Elyria, Ohio

Ray Pressure Snubber Company
Charlotte, North Carolina

Reed & Prince Manufacturing Co.
1 Duncan Avenue
Worcester, Massachusetts

Rite Hardware Manufacturing Co.
540 West Chevy Chase Drive
Glendale 4, California

John A. Roebling's Sons Co.
19 Rector Street
New York 6, New York

Safe, Padlock & Hardware Co.
2nd & Crystal Street
Lancaster, Pennsylvania

Scovill Manufacturing Co.
Chrysler Building
New York 17, New York

Searle Aero Industries, Inc.
Hawthorne, California

Shafer Bearing Corp.
35 Wacker Drive
Chicago, Illinois

Skinner Purifiers, Inc.
1500 Trombley Avenue
Detroit 11, Michigan

Solar Aircraft Corporation
60 East 42nd Street
New York City, New York

Spencer Thermostat Company
34 Forest Street
Attleboro, Massachusetts

Sperry Gyroscope Co., Inc.
Great Neck, Long Island
New York

Edwin B. Stimpson Co.
70 Franklin Avenue
Brooklyn 5, New York

Surface Combustion Corporation
Grover and Sherman Streets
Toledo, Ohio

Thermo Electric Co.
Fairlawn, New Jersey

Thermotank, Ltd.
Glasgow, Scotland

Thompson Products, Inc.
2196 Clarkwood Road
Cleveland, Ohio

The Thomas & Betts Co.
36 Butler Street
Elizabeth, New Jersey

The Torrington Company
Torrington, Connecticut

United States Rubber Co.
Mishawaka, Indiana

Vickers, Inc.
1400 Oakman Boulevard
Detroit 32, Michigan

Warner Aircraft Corporation
20263 Hoover Avenue
Detroit 5, Michigan

The Weatherhead Co.
60 East 42nd Street
New York 17, New York

Weston Electrical Instrument
Corporation
50 Church Street
New York 7, New York

Wilcolator Company
1001 Newark Avenue
Elizabeth, New Jersey

H. M. Williams Co., Inc.
252 West 64th Street
New York, New York

Wirt Company
5221 Greene Street
Germantown
Philadelphia, Pennsylvania



SECTION II
GROUP ASSEMBLY
PARTS LIST



Figure & Index No.	Part No.	Nomenclature	Units Per Assy	Usage Code
		1 2 3 4 5 6 7		

WING CENTER SECTION

Complete Center Section Assembly

2-	GSR326-1	Section Assembly - Complete center	1	All
-1	GSR327-1	. Section Assembly - Spare center (iap)	1	All
ATTACHING PARTS				
-2	AN4-11	. . Bolt	4	All
-3	AN960D416	. . Washer	8	All
-4	AN310-4	. . Nut	4	All
-5	AN380C2-2	. . Cotter	4	All
-6	AN4-13	. . Bolt	4	All
-7	AN960D416L	. . Washer	4	All
-8	AN960D416	. . Washer	4	All
-9	AN365-428	. . Nut	4	All
-10	AN4-25A	. . Bolt	4	All
-11	AN960D416L	. . Washer	4	All
-12	AN960D416	. . Washer	4	All
-13	AN365-428	. . Nut	4	All
-14	AN4-11A	. . Bolt	2	All
-15	AN4-12A	. . Bolt	6	All
-16	AN960D416L	. . Washer	4	All
-17	AN960D416	. . Washer	12	All
-18	AN365-428	. . Nut	8	All
-19	AN4-6A	. . Bolt	52	All
-20	AN960D416L	. . Washer	26	All
-21	AN960D416	. . Washer	78	All
-22	AN365-428	. . Nut	52	All
-23	AN4-4A	. . Bolt	6	a
-24	AN4-10A	. . Bolt	8	a
-25	AN960D416L	. . Washer	14	a
-26	106221-2L	. . Zee Assembly L.H.	1	a
-27	106221-2R	. . Zee Assembly R.H.	1	a

Box Beam Assembly

3-	106021	. . Beam Assembly - Box	1	All
-1	106015L	. . . Support Installation - Engine mount structure L.H. (See Fig. 4)	1	All
-2	106015R	. . . Support Installation - Engine mount structure R.H. (See Fig. 4)	1	All
-3	106010	. . . Beam Assembly - Front	1	All
-4	106105	. . . Support Assembly - Engine control pulleys	1	All
-5	AN210-2A Pulley	3	All
ATTACHING PARTS FOR THREE PULLEYS				
-6	AN3-25A Bolt	1	All
-7	AN960D10L Washer	1	All
-8	AN960D10 Washer	1	All
-9	AN365-1032 Nut	1	All
-10	G5-D3-39 Spacer	1	All
-11	G5-D3-38 Spacer	1	All
-12	AN210-2A Pulley	5	All
ATTACHING PARTS FOR FIVE PULLEYS				
-13	AN3-25A Bolt	1	All



Section II
Group Assembly Parts List

Figure & Index No.	Part No.	Nomenclature							Units Per Assy	Usage Code
		1	2	3	4	5	6	7		
WING CENTER SECTION (Cont)										
Box Beam Assembly (Cont)										
3-14	AN960D10L	Washer	1	All
-15	AN960D10	Washer	1	All
-16	AN365-1032	Nut	1	All
-17	G5-D3-39	Spacer	1	All
-18	AN210-2A	Pulley	5	All
ATTACHING PARTS FOR FIVE PULLEYS										
-19	AN3-25A	Bolt	1	All
-20	AN960D10L	Washer	1	All
-21	AN960D10	Washer	1	All
-22	AN365-1032	Nut	1	All
-23	G5-D3-39	Spacer	1	All
-24	AN210-2A	Pulley	3	All
ATTACHING PARTS FOR THREE PULLEYS										
-25	AN3-25A	Bolt	1	All
-26	AN960D10L	Washer	1	All
-27	AN960D10	Washer	1	All
-28	AN365-1032	Nut	1	All
-29	G5-D3-19	Spacer	1	All
-30	G5-D3-58	Spacer	1	All
-31	AN3-25A	Bolt	6	All
-32	AN960D10L	Washer	6	All
-33	AN960D10	Washer	6	All
-34	AN365-1032	Nut	6	All
-35	G5-D3-206	Spacer	6	All
-36	AN210-1A	Pulley	6	All
ATTACHING PARTS FOR SIX PULLEYS										
-37	AN3-22A	Bolt	1	All
-38	AN960D10L	Washer	2	All
-39	AN365-1032	Nut	1	All
-40	AN3-22A	Bolt	1	All
-41	AN960D10L	Washer	2	All
-42	G5-D3-150	Spacer	1	All
-43	AN365-1032	Nut	1	All
-44	106103	Bracket - Engine control torque tube	1	All
-45	106133	Cover - Handhole (iap)	4	All
ATTACHING PARTS										
-46	AN525-10-8	Screw	22	All
-47	AN960D10L	Washer	22	All
-48	106142	Cover - Handhole (iap)	2	All
ATTACHING PARTS										
-49	AN525-10-8	Screw	22	All
-50	AN960D10L	Washer	22	All
-51	106054-2	Cover - Handhole (iap)	2	q
ATTACHING PARTS										
-52	AN525-10-8	Screw	18	q
-53	AN960D10L	Washer	18	q
-54	106218L	Clip L.H. (iap)	1	All
ATTACHING PARTS										
-55	AN3-7A	Bolt	2	All
-56	AN960D10	Washer	4	All
-57	AN365-1032	Nut	2	All



Section II
Group Assembly Parts List

Figure & Index No.	Part No.	Nomenclature 1 2 3 4 5 6 7	Units Per Assy	Usage Code
WING CENTER SECTION (Cont)				
Box Beam Assembly (Cont)				
3-58	106218R Clip R.H. (iap)	1	All
		ATTACHING PARTS		
-59	AN3-7A Bolt	2	All
-60	AN960D10 Washer	4	All
-61	AN365-1032 Nut	2	All
-62	106089L	. . . Rib Assembly - Sta. 125 L.H.	1	All
-63	106089R	. . . Rib Assembly - Sta. 125 R.H.	1	All
-64	106068L	. . . Rib Assembly - Sta. 107 L.H.	1	All
-65	106068R	. . . Rib Assembly - Sta. 107 R.H.	1	All
-66	106067L	. . . Rib Assembly - Sta. 92 L.H.	1	All
-67	106067R	. . . Rib Assembly - Sta. 92 R.H.	1	All
-68	106066L	. . . Rib Assembly - Sta. 77 L.H.	1	All
-69	106066R	. . . Rib Assembly - Sta. 77 R.H.	1	All
-70	106065L	. . . Rib Assembly - Sta. 62 L.H.	1	All
-71	106065R	. . . Rib Assembly - Sta. 62 R.H.	1	All
-72	106064L	. . . Rib Assembly - Sta. 48 L.H.	1	All
-73	106064R	. . . Rib Assembly - Sta. 48 R.H.	1	All
-74	106063L	. . . Rib Assembly - Sta. 34 L.H.	1	All
-75	106063R	. . . Rib Assembly - Sta. 34 R.H.	1	All
-76	106060	. . . Rib Assembly - Sta. 26	1	o
	106058	. . . Rib Assembly - Sta. 26	1	p
-77	106060	. . . Rib Assembly - Sta. 13	1	All
-78	112007	. . . Plug - Hoisting bolt fitting	2	p
-79	112005	. . . Fitting - Hoisting bolt (iap)	2	p
		ATTACHING PARTS		
-80	AN5-23A Bolt	4	p
-81	AN960D516 Washer	8	p
-82	AN365-524 Nut	4	p
-83	106060	. . . Rib Assembly - Sta. O	1	o
	106057	. . . Rib Assembly - Sta. O hoisting	1	p
-84	106061	. . . Rib Assembly - Sta. 13	1	All
-85	106061	. . . Rib Assembly - Sta. 26	1	o
	106059	. . . Rib Assembly - Sta. 26	1	p
-86	106011	. . . Beam Assembly - Rear	1	All
-87	106133 Cover - Handhole (iap)	4	All
		ATTACHING PARTS		
-88	AN525-10-8 Screw	22	All
-89	AN960D10L Washer	22	All
-90	106054-2 Cover - Handhole (iap)	2	q
		ATTACHING PARTS		
-91	AN525-10-8 Screw	18	q
-92	AN960D10L Washer	18	q
-93	AN210-5A Pulley	2	All
		ATTACHING PARTS		
-94	AN6-12 Bolt	1	All
-95	AN960D616L Washer	2	All
-96	AN365-624 Nut	1	All



Figure & Index No.	Part No.	Nomenclature 1 2 3 4 5 6 7	Units Per Assy	Usage Code
WING CENTER SECTION (Cont)				
Engine Mount Structure Support Installation (Cont)				
4-25	108334-1 Bolt - Rear tie down bracket supporting (iap)	2	All
ATTACHING PARTS				
-26	AN380C2-2 Cotter	2	All
-27	AN310-4 Nut	2	All
-28	AN970-4 Washer	1	All
-29	AN960D416 Washer	1	All
-30	109180-1 Bracket - Carburetor air door control lower bellcrank (L.H.)	1	All
	109180-2 Bracket - Carburetor air door control lower bellcrank (R.H.)	1	All
-31	109180-3 Bracket - Carburetor air door control lower bellcrank (L.H.)	1	All
	109180-4 Bracket - Carburetor air door control lower bellcrank (R.H.)	1	All
-32	108409L Bracket Assembly - Cowl flap mechanism hydraulic cylinder support L.H. (iap) (L.H.)	1	All
	108409R Bracket Assembly - Cowl flap mechanism hydraulic cylinder support R.H. (iap) (R.H.)	1	All
ATTACHING PARTS				
-33	AN3-6 Bolt	2	All
-34	AN960A10 Washer	4	All
-35	AN365-1032 Nut	2	All
-36	108430-1 Box - Oil drain valve enclosure (iap)	1	All
ATTACHING PARTS				
-37	AN515-8-8 Screw	16	All
-38	AN960D8 Washer	16	All
-39	108425-5 Door (iap)	1	All
ATTACHING PARTS				
-40	AN515-8-8 Screw	12	All
-41	AN960D8 Washer	12	All
-42	108425-13 Door (iap)	1	All
ATTACHING PARTS				
-43	AN515-8-8 Screw	10	All
-44	AN960D8 Washer	10	All
-45	109182-1 Bracket Assembly - Engine and propeller controls (L.H.)	1	All
	109182-2 Bracket Assembly - Engine and propeller controls (R.H.)	1	All
-46	109181-1 Bracket Assembly - Throttle and mixture control bellcrank	1	All
-47	109179 Bracket - Carburetor air door control upper bellcrank	1	All
-48	112602L Yoke - Engine mount attachment L.H. (L.H.)	2	All
	112602R Yoke - Engine mount attachment R.H. (R.H.)	2	All
-49	112602R Yoke - Engine mount attachment R.H. (L.H.)	2	All
	112602L Yoke - Engine mount attachment L.H. (R.H.)	2	All
-50	108432-2 Door - Feathering pump access	1	All
-51	FA5-35 Fastener (Dzus Fastener Co., Inc.)	4	All
-52	GF5-175 Grommet (Dzus Fastener Co., Inc.)	4	All
-53	S5A-325 Spring (Dzus Fastener Co., Inc.)	4	All
-54	106151-1R Cradle - Oil tank support R.H. (L.H.)	1	All
	106151-1L Cradle - Oil tank support L.H. (R.H.)	1	All
-55	106151-1L Cradle - Oil tank support L.H. (L.H.)	1	All
	106151-1R Cradle - Oil tank support R.H. (R.H.)	1	All



Section II
Group Assembly Parts List

Figure & Index No.	Part No.	Nomenclature 1 2 3 4 5 6 7	Units Per Assy	Usage Code
WING CENTER SECTION (Cont)				
Trailing Edge Assembly				
5-1	106022L	. . Edge Assembly - Trailing L.H.	1	All
-2	106022R	. . Edge Assembly - Trailing R.H.	1	All
-3	106145L	. . . Trough Assembly - Main wheel L.H.	1	All
	106145R	. . . Trough Assembly - Main wheel R.H.	1	All
-4	106145-8 Plate - Cover (iap)	1	All
ATTACHING PARTS				
-5	AN525-10-8 Screw	20	All
-6	106145-2 Plate - Cover (iap)	1	All
ATTACHING PARTS				
-7	AN525-10-8 Screw	40	All
-8	106070L	. . . Rib Assembly - Sta. 34 L.H.	1	All
	106070R	. . . Rib Assembly - Sta. 34 R.H.	1	All
-9	AN210-4A Pulley	1	All
ATTACHING PARTS				
-10	AN4-11A Bolt	1	All
-11	AN960D416L Washer	2	All
-12	AN365-428 Nut	1	All
-13	G5-D3-32 Spacer	1	All
-14	AN520-10-16 Screw	1	All
-15	AN960D10L Washer	2	All
-16	AN365-1032 Nut	1	All
-17	106071L	. . . Rib Assembly - Sta. 48 L.H.	1	All
	106071R	. . . Rib Assembly - Sta. 48 R.H.	1	All
-18	106155L Bracket - Aileron cable pulley L.H.	1	All
	106155R Bracket - Aileron cable pulley R.H.	1	All
-19	AN366F428 Nut	4	All
-20	AN210-3A Pulley	4	All
ATTACHING PARTS				
-21	AN4-11A Bolt	1	All
-22	AN960D416 Washer	1	All
-23	106072L	. . . Rib Assembly - Sta. 62 L.H.	1	All
	106072R	. . . Rib Assembly - Sta. 62 R.H.	1	All
-24	112001L Fitting Assembly - Flap hinge L.H.	1	All
	112001R Fitting Assembly - Flap hinge R.H.	1	All
-25	AN200KP5 Bearing	1	All
-26	106122L	. . . Fitting Assembly - Main wheel attachment L.H. (iap)	1	All
	106122R	. . . Fitting Assembly - Main wheel attachment R.H. (iap)	1	All
ATTACHING PARTS				
-27	G3-5-10 Bolt	2	All
-28	G3-5-11 Bolt	2	All
-29	AN960D516 Washer	4	All
-30	AN365-1032 Nut	4	All
-31	112051 Fitting (iap)	1	All
ATTACHING PARTS				
-32	G3-5-11 Bolt	8	All
-33	AN960D516 Washer	8	All
-34	AN365-524 Nut	8	All
-35	G27-10-20 Bushing	2	All
-36	106037L	. . . Rib Assembly - Sta. 77 L.H.	1	All
	106037R	. . . Rib Assembly - Sta. 77 R.H.	1	All



Section II
Group Assembly Parts List

Figure & Index No.	Part No.	Nomenclature 1 2 3 4 5 6 7	Units Per Assy	Usage Code
WING CENTER SECTION (Cont)				
Trailing Edge Assembly (Cont)				
5-37	106074L	. . . Rib Assembly - Sta. 92 L.H.	(L.H.) 1	All
	106074R	. . . Rib Assembly - Sta. 92 R.H.	(R.H.) 1	All
-38	106075L	. . . Rib Assembly - Sta. 107 L.H.	(L.H.) 1	All
	106075R	. . . Rib Assembly - Sta. 107 R.H.	(R.H.) 1	All
-39	106076L	. . . Rib Assembly - Sta. 125 L.H.	(L.H.) 1	All
	106076R	. . . Rib Assembly - Sta. 125 R.H.	(R.H.) 1	All
-40	106012-1L	. . . Beam Assembly - Flap closure L.H.	(L.H.) 1	All
	106012-1R	. . . Beam Assembly - Flap closure R.H.	(R.H.) 1	All
-41	106028-1 Cover - Handhole (iap)	6	All
ATTACHING PARTS				
-42	AN526-832-8 Screw	4	All
-43	106121-1	. . . Stiffener	1	All
Sta. 39 to 62 Leading Edge Assembly				
6-1	No Number	. . Edge Assembly - Sta. 39 to 62 leading L.H. (Reference Grumman drawing no. 106043)	1	All
-2	No Number	. . Edge Assembly - Sta. 39 to 62 leading R.H. (Reference Grumman drawing no. 106043)	1	All
-3	106042-1L	. . . Skin Assembly - Sta. 39 to 62 leading edge L.H. (iap)	(L.H.) 1	All
	106042-1R	. . . Skin Assembly - Sta. 39 to 62 leading edge R.H. (iap)	(R.H.) 1	All
ATTACHING PARTS				
-4	G93-9 Screw	72	All
-5	106077L	. . . Rib Assembly - Sta. 62 L.H. (iap)	(L.H.) 1	All
	106077R	. . . Rib Assembly - Sta. 62 R.H. (iap)	(R.H.) 1	All
ATTACHING PARTS				
-6	AN525-10-8 Screw	4	All
-7	AN960D10L Washer	4	All
-8	AN960D10 Washer	4	All
-9	AN365-1032 Nut	4	All
-10	AN210-1A Pulley	2	All
ATTACHING PARTS FOR TWO PULLEYS				
-11	AN3-11A Bolt	1	All
-12	AN960D10L Washer	1	All
-13	AN960D10 Washer	1	All
-14	AN365-1032 Nut	1	All
-15	106079L	. . . Rib Assembly - Sta. 39 L.H. (iap)	(L.H.) 1	All
	106079R	. . . Rib Assembly - Sta. 39 R.H. (iap)	(R.H.) 1	All
ATTACHING PARTS				
-16	AN525-10-8 Screw	5	All
-17	AN960D10L Washer	5	All
-18	AN960D10 Washer	5	All
-19	AN365-1032 Nut	5	All



Figure & Index No.	Part No.	Nomenclature	1 2 3 4 5 6 7	Units Per Assy	Usage Code
-----------------------	----------	--------------	---------------	-------------------	---------------

WING CENTER SECTION (Cont)

Electrical Installation

7-	No Number	. . . Electrical Installation (Reference Grumman drawing nos. 110003-2, 110003-3, 110003-4, 110003-5)		Ref	All
-1	110052-1 Box Assembly - Left nacelle junction (iap) (See Fig. 8)		1	ct
	110052-2 Box Assembly - Left nacelle junction (iap) (See Fig. 8)		1	ca
	110066-1 Box Assembly - Left nacelle junction (iap) (See Fig. 9)		1	cu
	110066-2 Box Assembly - Left nacelle junction (iap) (See Fig. 9)		1	cv
	110066-3 Box Assembly - Left nacelle junction (iap) (See Fig. 9)		1	cw
-2	110137-3 Conduit Assembly - Disconnect at wing beam to tee (See Fig. 10)		1	All
-3	110137-4 Conduit Assembly - Disconnect at wing beam to tee (See Fig. 10)		1	All
-4	77182 Tee (The American Brass Co.)		1	All
-5	110054 Box Assembly - Right nacelle junction (iap) (See Fig. 12)		1	cr
	110067-1 Box Assembly - Right nacelle junction (iap) (See Fig. 13)		1	cu
	110067-2 Box Assembly - Right nacelle junction (iap) (See Fig. 13)		1	cc
-6	110070 Box Assembly - Battery relay (iap) (See Fig. 11)		1	All
-7	AN3150 Battery		1	All

Left Nacelle Junction Box Assembly

8-	110052-1 Box Assembly - Left nacelle junction (iap) (See Fig. 7-1)		Ref	ct
	110052-2 Box Assembly - Left nacelle junction (iap) (See Fig. 7-1)		Ref	ca
		ATTACHING PARTS			
-1	AN3-4A Bolt		6	cr
-2	AN960D10L Washer		6	cr
-3	110118-2 Cover		1	cr
-4	AN3100-36-19P Receptacle		1	cr
-5	G355-5A Boot		1	cr
-6	G355-5 Boot		1	cr
-7	E73 Terminal (The Thomas & Betts Co.)		1	cr
-8	F73 Terminal (The Thomas & Betts Co.)		1	cr
-9	G355-4 Boot		1	cr
-10	31889 Terminal (Aircraft Marine Products, Inc.)		17	cr
	31889 Terminal (Aircraft Marine Products, Inc.)		2	ct
-11	31900 Terminal (Aircraft Marine Products, Inc.)		9	cr
-12	J2-73 Terminal (The Thomas & Betts Co.)		1	cr
-13	450250-0-1 Flasher - Position light (Bendix Aviation Corp.)		1	ct
		ATTACHING PARTS			
-14	AN515-8-10 Screw		2	ct
-15	AN960D8 Washer		2	ct
-16	G355-2 Boot		1	ct
-17	67191-1 Relay (Hamilton Standard Propellers Division of United Aircraft Corp.)		1	cr
		ATTACHING PARTS			
-18	AN520-416-12 Screw		2	cr



Section II
Group Assembly Parts List

Figure & Index No.	Part No.	Nomenclature							Units Per Assy	Usage Code
		1	2	3	4	5	6	7		
WING CENTER SECTION (Cont)										
Left Nacelle Junction Box Assembly (Cont)										
8-19	AN960D416	Washer	4	cr	
-20	AN365-428	Nut	2	cr	
-21	987-3	Switch - Line (Eclipse-Pioneer Division, Bendix Aviation Corp.)	1	cr	
ATTACHING PARTS										
-22	AN520-416-12	Screw	2	cr	
-23	AN960D416	Washer	4	cr	
-24	AN365-428	Nut	2	cr	
-25	104290	Shunt (Furnished with voltammeter Part No. 606-210-Y-2 made by Weston Electrical Instrument Co.)	1	cr	
ATTACHING PARTS										
-26	AN515-6-28	Screw	2	cr	
-27	AN960D6L	Washer	4	cr	
-28	AN365-632	Nut	2	cr	
-29	G5-D2-102	Spacer	2	cr	
-30	G158-1-6	Strip - Insulating	4	cr	
-31	G159-A9-12	Panel Assembly - Connector (iap)	2	cr	
ATTACHING PARTS										
-32	AN515-4-5	Screw	2	cr	
-33	AN960D4L	Washer	2	cr	
-34	AN365-440	Nut	2	cr	
-35	G164-A2	Panel - Connector (iap)	1	cr	
ATTACHING PARTS										
-36	AN520-10-20	Screw	2	cr	
-37	AN960D10	Washer	4	cr	
-38	AN345-10	Nut	2	cr	
-39	AN365-1032	Nut	2	cr	
-40	AN935-10	Washer	2	cr	
-41	G165-16-2	Strip - Connector panel base	1	cr	
-42	G158-1-6	Strip - Insulating	2	cr	
-43	G159-A10-12	Panel Assembly - Connector (iap)	1	cr	
ATTACHING PARTS										
-44	AN515-4-5	Screw	2	cr	
-45	AN960D416	Washer	2	cr	
-46	AN365-440	Nut	2	cr	
-47	AN3066-20	Nut - Lock	1	cr	
-48	AN3064-20	Connector - Box	1	cr	
-49	AN3066-16	Nut - Lock	1	cr	
-50	AN3064-16	Connector - Box	1	cr	
-51	110053-1	Box Assembly	1	cr	
-52	G189	Clip	6	cr	
9-	110066-1	Box Assembly - Left nacelle junction (iap) (See Fig. 7-1)	Ref	cu	
	110066-2	Box Assembly - Left nacelle junction (iap) (See Fig. 7-1)	Ref	cv	
	110066-3	Box Assembly - Left nacelle junction (iap) (See Fig. 7-1)	Ref	cw	
ATTACHING PARTS										
-1	AN3-4A	Bolt	6	cp	
-2	AN960D10L	Washer	6	cp	
-3	110118-2	Cover	1	cp	



Figure & Index No.	Part No.	Nomenclature							Units Per Assy	Usage Code
		1	2	3	4	5	6	7		
WING CENTER SECTION (Cont)										
Left Nacelle Junction Box Assembly (Cont)										
9-4	AN3100-36-19P	Receptacle						1	cp
-5	G355-5A	Boot						1	cp
-6	G355-5	Boot						1	cp
-7	E73	Terminal (The Thomas & Betts Co.)						1	cp
-8	F73	Terminal (The Thomas & Betts Co.)						1	cp
-9	G355-4	Boot						1	cp
-10	31889	Terminal (Aircraft Marine Products, Inc.)						16	cp
	31889	Terminal (Aircraft Marine Products, Inc.)						5	cc
-11	31900	Terminal (Aircraft Marine Products, Inc.)						9	cp
-12	J-73	Terminal (The Thomas & Betts Co.)						1	cp
-13	AN3106-14S-5S	Plug						1	cv
-14	G355-2	Boot						1	ev
-15	450250-0-3	Flasher - Position lights (Bendix Aviation Corp.)						1	cv
ATTACHING PARTS										
-16	AN515-8-8	Screw						2	cv
-17	AN960D8L	Washer						2	cv
-18	62730-1	Relay - Propeller feathering pump (Hamilton Standard Propellers, Division of United Aircraft Corp.)						1	cp
ATTACHING PARTS										
-19	AN520-416-10	Screw						2	cp
-20	AN960D416	Washer						4	cp
-21	AN365-428	Nut						2	cp
-22	23538	Relay - Differential (Leece & Neville Co.)						1	cp
ATTACHING PARTS										
-23	AN520-10-8	Screw						4	cp
-24	AN960D10	Washer						4	cp
-25	104290	Shunt (Furnished with voltammeter Part No. 606-210-Y-2 made by Weston Electrical Instrument Co.)						1	cp
ATTACHING PARTS										
-26	AN515-6-28	Screw						2	cp
-27	AN960D6L	Washer						4	cp
-28	AN365-632	Nut						2	cp
-29	G5-D2-102	Spacer						2	cp
-30	G158-1-6	Strip - Insulating						4	cp
-31	G159-A9-12	Panel Assembly - Connector (iap)						2	cp
ATTACHING PARTS										
-32	AN515-4-5	Screw						2	cp
-33	AN960D4L	Washer						2	cp
-34	AN365-440	Nut						2	cp
-35	G164-A2	Panel - Connector (iap)						1	cp
ATTACHING PARTS										
-36	AN520-10-20	Screw						2	cp
-37	AN960D10	Washer						2	cp
-38	AN345-10	Nut						2	cp
-39	AN365-1032	Nut						2	cp
-40	AN960-10	Washer						2	cp
-41	G165-16-2	Strip - Connector panel base						1	cp
-42	G158-2-6	Strip - Insulating						2	cp



Section II
Group Assembly Parts List

Figure & Index No.	Part No.	Nomenclature 1 2 3 4 5 6 7	Units Per Assy	Usage Code
-----------------------	----------	-------------------------------	-------------------	---------------

WING CENTER SECTION (Cont)

Left Nacelle Junction Box Assembly (Cont)

9-43	G159-B12-12 Panel Assembly - Connector (iap)	1	cp
		ATTACHING PARTS		
-44	AN515-4-5 Screw	2	cp
-45	AN960D4L Washer	2	cp
-46	AN365-440 Nut	2	cp
-47	AN3066-20 Nut - Lock	1	cp
-48	AN3064-20 Connector - Box	1	cp
-49	AN3066-16 Nut - Lock	1	cp
-50	AN3064-16 Connector - Box	1	cp
-51	110153-1 Strap - Ground (iap)	1	cp
		ATTACHING PARTS		
-52	AN3-4A Bolt	2	cp
-53	AN960D10 Washer	4	cp
-54	AN365-1032 Nut	2	cp
-55	110053-4 Box Assembly	1	cp
-56	G189 Clip	1	cp

Disconnect at Wing Beam to Tee Conduit Assembly

10-	110137-3	. . . Conduit Assembly - Disconnect at wing beam to tee (See Fig. 7-3)	Ref	All
	110137-4	. . . Conduit Assembly - Disconnect at wing beam to tee (See Fig. 7-3)	Ref	All
-1	AN3054-6 Nut	2	All
-2	AN3050-6 Ferrule	2	All

Battery Relay Box Assembly

11-	110070	. . . Box Assembly - Battery relay (iap) (See Fig. 7-6)	Ref	All
		ATTACHING PARTS		
-1	AN515-6-8 Screw	2	All
-2	AN960D6L Washer	4	All
-3	AN365-632 Nut	2	All
-4	AN3066-20 Nut - Lock	1	All
-5	AN3064-20 Connector - Box	1	All
-6	110071-3 Cover (iap)	1	All
		ATTACHING PARTS		
-7	AN515-6-8 Screw	4	All
-8	AN960D6L Washer	4	All
-9	J-73 Terminal (The Thomas & Betts Co.)	1	All
-10	NAF1204-3 Relay - Battery	1	All
		ATTACHING PARTS		
-11	AN520-416-12 Screw	2	All
-12	AN960D416L Washer	4	All
-13	AN365-428 Nut	2	All
-14	110071-1 Box Assembly	1	All



Section II
Group Assembly Parts List

Figure & Index No.	Part No.	Nomenclature							Units Per Assy	Usage Code
		1	2	3	4	5	6	7		
WING CENTER SECTION (Cont)										
Right Nacelle Junction Box Assembly										
12-	110054 Box Assembly - Right nacelle junction (iap) (See Fig. 7-5)							Ref	cr
ATTACHING PARTS										
-1	AN3-4A Bolt							6	cr
-2	AN960D10L Washer							6	cr
-3	110055-5 Cover							1	cr
-4	G355-5 Boot							1	cr
-5	J-73 Terminal (The Thomas & Betts Co.)							3	cr
-6	G355-4 Boot							1	cr
-7	31889 Terminal (Aircraft Marine Products, Inc.)							17	cr
-8	31900 Terminal (Aircraft Marine Products, Inc.)							8	cr
-9	G355-5 Boot							1	cr
-10	G355-5A Boot							1	cr
-11	AN3100-36-19P Receptacle							1	cr
-12	E73 Terminal (The Thomas & Betts Co.)							1	cr
-13	F73 Terminal (The Thomas & Betts Co.)							1	cr
-14	110079 Strap Assembly (iap)							1	cr
ATTACHING PARTS										
-15	AN515B516-24 Screw							1	cr
-16	AN960D516 Washer							3	cr
-17	AN935-516 Washer							2	cr
-18	AN340B516 Nut							2	cr
-19	AN2552-2 Receptacle - External power connection							1	cr
ATTACHING PARTS										
-20	AN520-10-16 Screw							2	cr
-21	AN960D10 Washer							4	cr
-22	AN365-1032 Nut							2	cr
-23	67191 Relay (Hamilton Standard Propellers Division of United Aircraft Corp.)							1	cr
ATTACHING PARTS										
-24	AN520-416-12 Screw							2	cr
-25	AN960D416L Washer							4	cr
-26	AN365-428 Nut							2	cr
-27	987-3 Switch - Line (Eclipse-Pioneer Division, Bendix Aviation Corp.)							1	cr
ATTACHING PARTS										
-28	AN520-416-12 Screw							2	cr
-29	AN960D416L Washer							4	cr
-30	AN365-428 Nut							2	cr
-31	104209 Shunt (Furnished with voltammeter Part No. 606-210-Y-2 made by Weston Electrical Co.)							1	cr
ATTACHING PARTS										
-32	AN515-6-28 Screw							2	cr
-33	AN960D6 Washer							8	cr
-34	AN365-632 Nut							2	cr
-35	G5-D2-102 Spacer							2	cr
-36	NAF1204-3 Relay							1	cr
ATTACHING PARTS										
-37	AN520-416-12 Screw							2	cr
-38	AN960D416L Washer							4	cr



Section II
Group Assembly Parts List

Figure & Index No.	Part No.	Nomenclature							Units Per Assy	Usage Code
		1	2	3	4	5	6	7		
WING CENTER SECTION (Cont)										
Right Nacelle Junction Box Assembly (Cont)										
12-39	AN365-428							2	cr
-40	G158-1-6							2	cr
-41	G159-A10-12							1	cr
ATTACHING PARTS										
-42	AN515-4-5							2	cr
-43	AN960D4L							2	cr
-44	AN365-440							2	cr
-45	G158-1-6							1	cr
-46	G159-A10-12							1	cr
ATTACHING PARTS										
-47	AN515-4-5							1	cr
-48	AN960D4L							1	cr
-49	AN365-440							1	cr
-50	AN515-6-16							1	cr
-51	AN960D6							1	cr
-52	AN3066-20							2	cr
-53	AN3064-20							2	cr
-54	AN3066-16							1	cr
-55	AN3064-16							1	cr
-56	110055-1							1	cr
-57	G189							1	cr
-58	110055-3							1	cr
ATTACHING PARTS										
-59	AN515-6-6							4	cr
-60	AN960D6L							4	cr
-61	AN365-632							4	cr
13-	110067-1							Ref	cu
		(See Fig. 7-5)								
	110067-2							Ref	cc
		(See Fig. 7-5)								
ATTACHING PARTS										
-1	AN3-4A							6	cp
-2	AN960D10L							6	cp
-3	110118-1							1	cp
-4	G355-5							1	cu
-5	AN3054-20							1	cc
-6	111823-3							1	cc
-7	J-73							3	cp
-8	31889							22	cp
-9	31900							9	cp
-10	G355-4							1	cp
-11	G355-5							1	cp
-12	G355-5A							1	cp
-13	AN3100-36-19P							1	cp
-14	E73							1	cp
-15	F73							1	cp
-16	110079							1	cp
ATTACHING PARTS										
-17	AN515B516-24							1	cp
-18	AN960B516							1	cp
-19	AN960D516							2	cp
-20	AN935-516							2	cp
-21	AN340B516							2	cp



Section II
Group Assembly Parts List

Figure & Index No.	Part No.	Nomenclature							Units Per Assy	Usage Code
		1	2	3	4	5	6	7		
WING CENTER SECTION (Cont)										
Right Nacelle Junction Box Assembly (Cont)										
13-63	AN365-1032	Nut	1	cp
-64	AN3066-20	Nut - Lock	2	cp
-65	AN3064-20	Connector - Box	2	cp
-66	AN3066-16	Nut - Lock	1	cp
-67	AN3064-16	Connector - Box	1	cp
-68	110055-8	Box Assembly	1	cp
-69	G189	Clip	1	cp
-70	110055-3	Shield Assembly (iap)	1	cp
ATTACHING PARTS										
-71	AN515-6-6	Screw	4	cp
-72	AN960D6L	Washer	4	cp
-73	AN365-632	Nut	4	cp



Figure & Index No.	Part No.	Nomenclature	1 2 3 4 5 6 7	Units Per Assy	Usage Code
-----------------------	----------	--------------	---------------	-------------------	---------------

WING CENTER SECTION (Cont)

Aileron Controls Installation

14-	No Number	. . . Controls Installation - Aileron (Reference Grumman drawing no. 109304)		1	All
-1	No Number	. . . Cable Assembly (part of cable assembly 109409-1)		1	All
-2	AN668-5 Terminal		1	All
-3	109409-4 Cable		1	All
-4	AN669S5RH Terminal		1	All
-5	AN155-32S Barrel - Turnbuckle		1	All
-6	AN669S5LH Terminal		1	All
-7	109409-5 Cable		1	All
-8	AN669S5LH Terminal		1	All
-9	No Number	. . . Cable Assembly (part of cable assembly 109409-2)		1	All
-10	AN668-5 Terminal		1	All
-11	109409-9 Cable		1	All
-12	AN669S5RH Terminal		1	All
-13	AN155-32S Barrel - Turnbuckle		1	All
-14	AN669S5LH Terminal		1	All
-15	109409-8 Cable		1	All
-16	AN669S5LH Terminal		1	All
-17	109409-3	. . . Cable Assembly		1	All
-18	AN668-5 Terminal		1	All
-19	109409-10 Cable		1	All
-20	AN669S5RH Terminal		1	All
-21	AN155-32S Barrel - Turnbuckle		1	All
-22	AN669S5LH Terminal		1	All
-23	109409-11 Cable		1	All
-24	AN668-5 Terminal		1	All



Section II
Group Assembly Parts List

Figure & Index No.	Part No.	Nomenclature 1 2 3 4 5 6 7	Units Per Assy	Usage Code
WING CENTER SECTION (Cont)				
Hydraulic Installation				
15-	No Number	. Hydraulics Installation (Reference Grumman drawing no. 109533)	1	All
-1	109506	. . Unit Assembly - Hydraulic distribution (See Fig. 16)	1	All
-2	No Number	. . Linkage Installation - Flap position indicator (See Fig. 21)	1	All
-3	109554	. . Mechanism Assembly - Wing flap positioning (See Fig. 18)	1	All
-4	109563	. . Valve Assembly - Hydraulic reservoir shut off (See Fig. 20)	2	All
-5	109553	. . Cylinder Assembly - Cowl flap actuating (iap) (See Fig. 23)	2	All
-6	109500-233V-4	. . Tube Assembly - 1/4 in. O.D.	1	All
-7	AN919-6D	. . Reducer	1	All
-7	AN6227-7	. . Packing - "O" Ring	1	All
-8	109500-32S-4	. . Tube Assembly - 1/4 in. O.D.	1	All
-9	AN832-4D	. . Union - Bulkhead	1	All
-9	AN960D716	. . Washer	1	All
-9	AN924-4D	. . Nut	1	All
-10	109500-33S-4	. . Tube Assembly - 1/4 in. O.D.	1	All
-11	AN919-6D	. . Reducer	1	All
-12	109500-34S-6	. . Tube Assembly - 3/8 in. O.D.	1	All
-13	AN832-6D	. . Union - Bulkhead	1	All
-13	AN960D916	. . Washer	1	All
-13	AN924-6D	. . Nut	1	All
-14	109500-35S-6	. . Tube Assembly - 3/8 in. O.D.	1	All
-15	AN815-6D	. . Union - Flared tube	1	All
-16	109500-36S-6	. . Tube Assembly - 3/8 in. O.D.	1	All
-17	AN837-6D	. . Elbow - Bulkhead 45°	1	All
-17	AN960D916	. . Washer	1	All
-17	AN924-6D	. . Nut	1	All
-18	AN833-8D	. . Elbow - Bulkhead 90°	1	All
-18	AN960D1216	. . Washer	1	All
-18	AN924-8D	. . Nut	1	All
-19	109500-28P-8	. . Tube Assembly - 1/2 in. O.D.	1	All
-20	AN919-12D	. . Reducer	1	All
-21	109500-51P-6	. . Tube Assembly - 3/8 in. O.D.	1	All
-22	AN832-6D	. . Union - Bulkhead	1	All
-22	AN960D916	. . Washer	1	All
-22	AN924-6D	. . Nut	1	All
-23	109500-52P-6	. . Tube Assembly - 3/8 in. O.D.	1	All
-24	AN815-6D	. . Union - Flared tube	1	All
-25	109500-53P-6	. . Tube Assembly - 3/8 in. O.D.	1	All
-26	AN837-6D	. . Elbow - Bulkhead 45°	1	All
-26	AN960D916	. . Washer	1	All
-26	AN924-6D	. . Nut	1	All
-27	109500-15S-8	. . Tube Assembly - 1/2 in. O.D.	1	All
-28	AN824-8D	. . Tee	1	All
-29	109500-2S-8	. . Tube Assembly - 1/2 in. O.D.	1	All
-30	AN815-8D	. . Union - Flared tube	1	All
-30	AN6227-10	. . Packing - "O" Ring	1	All
-31	AN832-8	. . Union - Bulkhead	1	All
-31	AN924-8	. . Nut	1	All
-31	AN6227-10	. . Packing - "O" Ring	1	All
-32	109500-3S-8	. . Tube Assembly - 1/2 in. O.D.	1	All
-33	AN832-8D	. . Union - Bulkhead	1	All
-33	AN960D1216	. . Washer	1	All
-33	AN924-8D	. . Nut	1	All
-34	109500-4S-8	. . Tube Assembly - 1/2 in. O.D.	1	All



Section II
Group Assembly Parts List

Figure & Index No.	Part No.	Nomenclature	Units							Usage Code	
			1	2	3	4	5	6	7		
WING CENTER SECTION (Cont)											
Hydraulics Installation (Cont)											
15-66	AN815-6D	. . . Union - Flared tube								1	All
-67	109500-19P-6	. . . Tube Assembly - 3/8 in. O.D.								1	All
-68	AN832-6D	. . . Union - Bulkhead								1	All
-68	AN960D916	. . . Washer								1	All
-68	AN924-6D	. . . Nut								1	All
-69	109500-18P-6	. . . Tube Assembly - 3/8 in. O.D.								1	All
-70	AN832-6D	. . . Union - Bulkhead								1	All
-70	AN960D916	. . . Washer								1	All
-70	AN924-6D	. . . Nut								1	All
-71	109500-17P-6	. . . Tube Assembly - 3/8 in. O.D.								1	All
-72	AN832-6D	. . . Union - Bulkhead								1	All
-72	AN960D916	. . . Washer								1	All
-72	AN924-6D	. . . Nut								1	All
-73	109500-16P-6	. . . Tube Assembly - 3/8 in. O.D.								1	All
-74	AN919-12D	. . . Reducer								1	All
-75	109500-15P-8	. . . Tube Assembly - 1/2 in. O.D.								1	All
-76	AN832-8D	. . . Union - Bulkhead								1	All
-76	AN924-8D	. . . Nut								1	All
-77	109500-31R-8	. . . Tube Assembly - 1/2 in. O.D.								1	All
-78	AN834-8D	. . . Tee - Bulkhead								1	All
-78	AN960D1216	. . . Washer								1	All
-78	AN924-8D	. . . Nut								1	All
-79	109500-30R-8	. . . Tube Assembly - 1/2 in. O.D.								1	All
-80	109500-232R-8	. . . Tube Assembly - 1/2 in. O.D.								1	All
-81	AN926-4D	. . . Tee								1	All
-81	AN919-10D	. . . Reducer								1	All
-81	AN815-4D	. . . Union - Flared tube								1	All
-81	AN832-4D	. . . Union - Bulkhead								1	All
-81	AN960D716	. . . Washer								1	All
-81	AN924-4D	. . . Nut								1	All
-81	AN6227-6	. . . Packing - "O" Ring								1	All
-82	109500-205WFR-4	. . . Tube Assembly - 1/4 in. O.D.								1	All
-83	109500-231R-4	. . . Tube Assembly - 1/4 in. O.D.								1	All
-84	285	. . . Valve - Relief (Electrol, Inc.)								1	All
-84	AN926-4D	. . . Tee								1	All
-84	AN815-4D	. . . Union - Flared tube								3	All
-84	AN832-4D	. . . Union - Bulkhead								1	All
-84	AN960D716	. . . Washer								1	All
-84	AN924-4D	. . . Nut								1	All
-84	AN6227-6	. . . Packing "O" Ring								5	All
-85	109500-230FBU-4	. . . Tube Assembly - 1/4 in. O.D.								1	All
-86	109500-229FBU-4	. . . Tube Assembly - 1/4 in. O.D.								1	All
-87	AN832-4D	. . . Union - Bulkhead								1	All
-87	AN960D716	. . . Washer								1	All
-87	AN924-4D	. . . Nut								1	All
-88	109500-228FBU-4	. . . Tube Assembly - 1/4 in. O.D.								1	All
-89	AN832-4D	. . . Union - Bulkhead								1	All
-89	AN960D716	. . . Washer								1	All
-89	AN924-4D	. . . Nut								1	All
-90	109500-227FBU-4	. . . Tube Assembly - 1/4 in. O.D.								1	All
-91	AN832-4D	. . . Union - Bulkhead								1	All
-91	AN960D716	. . . Washer								1	All
-91	AN924-4D	. . . Nut								1	All
-92	109500-226FBU-4	. . . Tube Assembly - 1/4 in. O.D.								1	All
-93	109500-208WFD-4	. . . Tube Assembly - 1/4 in. O.D.								1	All
-94	AN832-4D	. . . Union - Bulkhead								1	All



Figure & Index No.	Part No.	Nomenclature							Units Per Assy	Usage Code
		1	2	3	4	5	6	7		
WING CENTER SECTION (Cont)										
Hydraulics Installation (Cont)										
15-124	AN960D716	. .							1	All
-124	AN924-4D	. .							1	All
-125	109500-118LGD-4	. .							1	All
-126	AN833-4D	. .							1	All
-126	AN960D716	. .							1	All
-126	AN924-4D	. .							1	All
-127	109500-99LGU-4	. .							1	All
-128	AN833-4D	. .							1	All
-128	AN960D716	. .							1	All
-128	AN924-4D	. .							1	All
-129	109500-139LGE-4	. .							1	All
-130	AN833-4D	. .							1	All
-130	AN960D716	. .							1	All
-130	AN924-4D	. .							1	All
-131	AN775-4	. .							1	All
-131	AN776-4	. .							1	All
-131	AN901-4C	. .							2	All
-132	AN6264-4-27	. .							1	All
-133	AN833-4	. .							1	All
-133	AN960-716	. .							1	All
-133	AN924-4	. .							1	All
-134	109500-280CFC-4	. .							1	All
-135	25247-1	. .							1	All
-136	109500-281CFC-4	. .							1	All
-137	AN832-4D	. .							1	All
-137	AN960D716	. .							1	All
-137	AN924-4D	. .							1	All
-138	109500-196CFC-4	. .							1	All
-139	AN815-4D	. .							1	All
-140	109500-197CFC-4	. .							1	All
-141	AN775-4	. .							1	All
-141	AN776-4	. .							1	All
-141	AN901-4C	. .							2	All
-142	AN6264-4-27	. .							1	All
-143	AN833-4	. .							1	All
-143	AN960-716	. .							1	All
-143	AN924-4	. .							1	All
-144	109500-279CFO-4	. .							1	All
-145	25247-1	. .							1	All
-146	109500-278CFO-4	. .							1	All
-147	AN832-4D	. .							1	All
-147	AN960D716	. .							1	All
-147	AN924-4D	. .							1	All
-148	109500-189CFO-4	. .							1	All
-149	AN815-4D	. .							1	All
-150	109500-188CFO-4	. .							1	All
-151	AN775-4	. .							1	All
-151	AN776-4	. .							1	All
-151	AN901-4C	. .							2	All
-152	AN6264-4-21	. .							1	All
-153	AN832-4	. .							1	All
-153	AN960-716	. .							1	All
-153	AN924-4	. .							1	All
-154	109500-276CFC-4	. .							1	All
-155	25247-1	. .							1	All
-156	109500-277CFC-4	. .							1	All



Section II
Group Assembly Parts List

Figure & Index No.	Part No.	Nomenclature	Units Per Assy	Usage Code
		1 2 3 4 5 6 7		

WING CENTER SECTION (Cont)

Hydraulics Installation (Cont)

15-157	AN833-4D	. . . Elbow - Bulkhead 90°	1	All
-157	AN960D716	. . . Washer	1	All
-157	AN924-4D	. . . Nut	1	All
-158	109500-183CFC-4	. . . Tube Assembly - 1/4 in. O.D.	1	All
-159	AN775-4	. . . Bolt - Universal fitting	1	All
-159	AN776-4	. . . Elbow - Universal 90°	1	All
-159	AN901-4C	. . . Gasket	2	All
-160	AN6264-4-23	. . . Hose Assembly	1	All
-161	AN832-4	. . . Union - Bulkhead	1	All
-161	AN960-716	. . . Washer	1	All
-161	AN924-4	. . . Nut	1	All
-162	109500-275CFO-4	. . . Tube Assembly - 1/4 in. O.D.	1	All
-163	25247-1	. . . Restrictor	1	All
-164	109500-274CFO-4	. . . Tube Assembly - 1/4 in. O.D.	1	All
-165	AN833-4D	. . . Elbow - Bulkhead 90°	1	All
-165	AN960D716	. . . Washer	1	All
-165	AN924-4D	. . . Nut	1	All
-166	109500-176CFO-4	. . . Tube Assembly - 1/4 in. O.D.	1	All
		END FITTINGS FOR 1/4 IN. O.D. TUBE ASSEMBLIES		
-167	AN819-4Z	. . . Sleeve	2	
-168	AN818-4D	. . . Nut	2	
		END FITTINGS FOR 3/8 IN. O.D. TUBE ASSEMBLIES		
-169	AN819-6Z	. . . Sleeve	2	
-170	AN818-6D	. . . Nut	2	
		END FITTINGS FOR 1/2 IN. O.D. TUBE ASSEMBLIES		
-171	AN819-8Z	. . . Sleeve	2	
-172	AN818-8D	. . . Nut	2	

Hydraulic Distribution Unit Assembly

16-	109506	. . . Unit Assembly - Hydraulic distribution (See Fig. 15-1)	Ref	All
-1	109500-27P-8	. . . Line Assembly - Accumulator to system 1/2 in. O.D.	1	All
-2	109500-250P-8	. . . Line Assembly - Filter to unloader tee 1/2 in. O.D.	1	All
-3	109500-251P-8	. . . Line Assembly - Unloader to main relief 1/2 in. O.D.	1	All
-4	109500-29R-8	. . . Line Assembly - Main relief to unloader 1/2 in. O.D.	1	All
-5	109500-26P-8	. . . Line Assembly - Unloader to accumulator 1/2 in. O.D.	1	All
-6	109567	. . . Valve Assembly - Hydraulic unloader (iap)		
		(See Fig. 17)	1	All
		ATTACHING PARTS		
-7	AN4-16A	. . . Bolt	1	All
-8	109607	. . . Spacer	1	All
-9	508	. . . Valve Assembly - Main relief (Electrol, Inc.)	1	All
		ATTACHING PARTS		
-10	AN4-14A	. . . Bolt	2	All
-11	AN960D416	. . . Washer	3	All
-12	G5-D4-40	. . . Spacer	2	All
-13	AN365-428	. . . Nut	1	All
-14	ER833-8D	. . . Elbow - Bulkhead 90° (The Weatherhead Co.)	1	m
	AN833-8D	. . . Elbow - Bulkhead 90°	1	n
-15	AN924-8D	. . . Nut	1	All
-16	AN6227-10	. . . Packing - "O" Ring	2	All



Section II
Group Assembly Parts List

Figure & Index No.	Part No.	Nomenclature 1 2 3 4 5 6 7	Units Per Assy	Usage Code
WING CENTER SECTION (Cont)				
Hydraulic Distribution Unit Assembly (Cont)				
16-17	26474	. . . Plug	1	All
-18	AN775-8D	. . . Bolt - Universal fitting	1	All
-19	AN901-8C	. . . Gasket	2	All
-20	ER776-8D	. . . Elbow - Universal 90° (The Weatherhead Co.)	1	m
	AN776-8D	. . . Elbow - Universal 90°	1	n
-21	AN6234-3	. . . Filter	1	All
ATTACHING PARTS				
-22	AN4-27A	. . . Bolt	2	All
-23	AN960D416	. . . Washer	3	All
-24	AN365-428	. . . Nut	1	All
-25	58620	. . . Block	1	All
-26	ER815-8D	. . . Union - Flared tube (The Weatherhead Co.)	1	m
	AN815-8D	. . . Union - Flared tube	1	n
-27	AN6227-10	. . . Packing - "O" Ring	2	All
-28	ER833-8D	. . . Elbow - Bulkhead 90° (The Weatherhead Co.)	1	m
	AN833-8D	. . . Elbow - Bulkhead 90°	1	n
-29	AN924-8D	. . . Nut	1	All
-30	ER834-8D	. . . Tee (The Weatherhead Co.)	1	m
	AN834-8D	. . . Tee	1	n
-31	AN924-8D	. . . Nut	1	All
-32	AN6227-10	. . . Packing - "O" Ring	1	All
-33	25259	. . . Clamp Assembly - Accumulator (iap)	1	All
ATTACHING PARTS				
-34	AN3-16A	. . . Bolt	4	All
-35	AN960D10	. . . Washer	4	All
-36	AA-14007-B	. . . Accumulator (Vickers, Inc.)	1	All
-37	109570	. . . Reservoir Assembly - Welded	1	All
-38	58621	. . . Plug	1	All
-39	AN6227-20	. . . Packing - "O" Ring	1	All
-40	NAS50-112	. . . Ring - Snap	1	All
-41	56292	. . . Screen Assembly - Filler	1	All
-42	AN775-4	. . . Bolt - Universal fitting	2	All
-43	AN901-4C	. . . Gasket	4	All
-44	AN777-4D	. . . Elbow - Universal 75°	1	All
-45	AN776-4D	. . . Elbow - Universal 90°	1	All
-46	AN775-8D	. . . Bolt - Universal fitting	2	All
-47	AN901-8C	. . . Gasket	4	All
-48	ER776-8D	. . . Elbow - Universal 90° (The Weatherhead Co.)	2	m
	AN776-8D	. . . Elbow - Universal 90°	2	n
-49	2600-1 x 24	. . . Channel (Adel Precision Products Corp.)	2	All
-50	109588-1L	. . . Panel Assembly - Side (iap)	1	All
-51	109588-1R	. . . Panel Assembly - Side (iap)	1	All
ATTACHING PARTS				
-52	AN4-7A	. . . Screw	2	All
-53	AN960D416	. . . Washer	4	All
-54	AN365-428	. . . Nut	2	All
-55	109588-2	. . . Panel Assembly (iap)	1	All
ATTACHING PARTS				
-56	AN520-10-8	. . . Screw	5	All
-57	AN960D10	. . . Washer	10	All
-58	AN365-1032	. . . Nut	5	All
END FITTINGS FOR 1/2 IN. O.D. LINE ASSEMBLIES				
-59	ER817-8D	. . . Nut (The Weatherhead Co.)	2	m
	AN817-8D	. . . Nut	2	n



Section II
Group Assembly Parts List

Figure & Index No.	Part No.	Nomenclature							Units Per Assy	Usage Code
		1	2	3	4	5	6	7		
WING CENTER SECTION (Cont)										
Hydraulic Unloader Valve Assembly (Cont)										
17-36	AN6226-2						Packing - "U" Cup (Not used if index no. 37 is used)	1	All
-37	AN6227-8						Packing - "O" Ring (Not used if index no. 36 is used)	1	All
-38	27564						Plunger	1	All
-39	27563						Seat	1	All
-40	27554						Seal	1	All
-41	G319-18						Ball	1	All
-42	G101-118						Spring	1	All
-43	27552						Seat	1	All
-44	27572						Body	1	All



Section II
Group Assembly Parts List

Figure & Index No.	Part No.	Nomenclature							Units Per Assy	Usage Code
		1	2	3	4	5	6	7		
WING CENTER SECTION (Cont)										
Wing Flap Positioning Mechanism Assembly										
18-	109554	. . Mechanism Assembly - Wing flap positioning (iap) (See Fig. 15-3)							Ref	All
ATTACHING PARTS										
-1	AN3-5	. . . Bolt							4	All
-2	AN960D10	. . . Washer							4	All
-3	109582	. . . Bellcrank (iap)							1	All
ATTACHING PARTS										
-4	AN5-15 Bolt							1	All
-5	AN960A516L Washer							2	All
-6	AN960D516 Washer							2	All
-7	AN365-524 Nut							1	All
-8	58450	. . . Arm (iap)							1	All
ATTACHING PARTS										
-9	AN4-13A Bolt							1	All
-10	AN960D416 Washer							2	All
-11	AN365-428 Nut							1	All
-12	K3L Bearing (Fafnir Bearing Co.)							1	All
ATTACHING PARTS										
-13	AN23-12 Bolt							1	All
-14	AN960D10 Washer							2	All
-15	AN320-3 Nut							1	All
-16	AN380C2-2 Cotter							1	All
-17	58451	. . . Fork							1	All
-18	41276	. . . Washer							1	All
-19	25250	. . . Valve - Wing flap selector (iap) (See Fig. 19)							1	All
ATTACHING PARTS										
-20	AN502-10-6 Screw							4	All
-21	54316	. . . Plate Assembly							1	All



Figure & Index No.	Part No.	Nomenclature 1 2 3 4 5 6 7	Units Per Assy	Usage Code
-----------------------	----------	-------------------------------	-------------------	---------------

WING CENTER SECTION (Cont)

Wing Flap Selector Valve Assembly

19-	25250	. . . Valve Assembly - Wing flap selector (iap) (See Fig. 18-19)	Ref	All
-1	AN364-428 Nut	1	All
-2	AN960A416L Washer	1	All
-3	AN815-4D Union	4	All
-4	AN6227-6 Packing - "O" Ring	4	All
-5	27575 Plug	4	All
-6	G101-115 Spring	4	All
-7	27580 Poppet	4	All
-8	AN6227-5 Packing - "O" Ring	4	All
-9	27581 Seat	4	All
-10	AN6227-14 Packing - "O" Ring	8	All
-11	27584 Shaft	1	All
-12	AN6227-8 Packing - "O" Ring	3	All
-13	AN380C2-2 Cotter	1	All
-14	AN310-4 Nut	1	All
-15	AN940-516 Washer	1	All
-16	27532 Screw	1	All
-17	27550 Body	1	All

Hydraulic Reservoir Shut Off Valve Assembly

20-	109563	. . Valve Assembly - Hydraulic reservoir shut off (See Fig. 15-4)	Ref	All
-1	NAS50-87	. . . Ring - Retainer	1	All
-2	AN960D816	. . . Washer	1	All
-3	112850	. . . Plunger	1	All
-4	AN6227-11	. . . Packing - "O" Ring	1	All
-5	112849	. . . Body	1	All



Figure & Index No.	Part No.	Nomenclature 1 2 3 4 5 6 7	Units	Usage
			Per Assy	Code
WING CENTER SECTION (Cont)				
Flap Position Indicator Linkage Installation				
21-	No Number	. . . Linkage Installation - Flap position indicator (Grumman reference drawing no. 110003) (See Fig. 15-2)	Ref	All
-1	110100-1 Rod - Push (iap)	1	au
ATTACHING PARTS				
-2	AN960D10L Washer	4	au
-3	AN380C2-2 Cotter	2	au
-4	110100-3 Tab	1	au
-5	110100-2 Arm (iap)	1	au
ATTACHING PARTS				
-6	AN3-7A Bolt	1	au
-7	AN960D10 Washer	2	au
-8	AN365-1032 Nut	1	au
-9	AN5785-1 Transmitter	1	au
22-1	110100-4 Arm - Flap	1	am
-2	110100-2 Arm - Transmitter (iap)	1	am
ATTACHING PARTS				
-3	AN393-7 Pin	1	am
-4	AN960D10 Washer	1	am
-5	AN380C2-3 Cotter	1	am
-6	AN3-7A Bolt	1	am
-7	AN960D10 Washer	2	am
-8	AN365-1032 Nut	1	am
-9	110100-5 Plate (iap)	1	am
ATTACHING PARTS				
-10	AN526-632-8 Screw	4	am
-11	AN960A6 Washer	8	am
-12	AN365-632 Nut	4	am
-13	8DJ26AAA Transmitter (General Electric Co.)	1	am
ATTACHING PARTS				
-14	4149072-P1 Screw (General Electric Co.)	4	am
-15	99 x 208 Washer - Lock (General Electric Co.)	4	am



Figure & Index No.	Part No.	Nomenclature							Units Per Assy	Usage Code
		1	2	3	4	5	6	7		
WING CENTER SECTION (Cont)										
Cowl Flap Actuating Cylinder Assembly										
23-	109553	. . . Cylinder Assembly - Cowl flap actuating (iap) (See Fig. 15-5)							Ref	All
ATTACHING PARTS										
-1	AN24-32	. . . Bolt							1	All
-2	AN960A416L	. . . Washer							2	All
-3	G5-4-56	. . . Spacer							1	All
-4	AN320-4	. . . Nut							1	All
-5	AN380C2-2	. . . Cotter							1	All
-6	109600	. . . Terminal							1	All
-7	AN316-6R	. . . Nut							1	All
-8	58557	. . . Fitting							1	All
-9	AN6227-17	. . . Packing - "O" Ring							1	All
-10	58551	. . . Washer							1	All
-11	AN6231-1	. . . Wiper							1	All
-12	AN6227-9	. . . Packing - "O" Ring							1	All
-13	58554	. . . Piston							1	All
-14	AN6227-17	. . . Packing - "O" Ring							1	All
-15	58556	. . . Fitting							1	All
-16	AN6227-17	. . . Packing - "O" Ring							1	All
-17	58552	. . . Body							1	All
Engine Controls Installation										
24-	No Number	. Controls Installation - Engine (Reference Grumman drawing no. 109003)							1	All
-1	109203-2	. . Cable Assembly - Carburetor heat control							2	All
-2	AN668-2	. . . Terminal							2	All
-3	109203-6	. . . Cable							1	All
-4	AN669S2RH	. . . Terminal							1	All
-5	AN155-8S	. . . Barrel - Turnbuckle							1	All
-6	AN669S2LH	. . . Terminal							1	All
-7	109203-5	. . . Cable							1	All
-8	109203-3	. . Cable Assembly - Carburetor heat control							2	All
-9	AN668-2	. . . Terminal							2	All
-10	109203-8	. . . Cable							1	All
-11	AN669S2RH	. . . Terminal							1	All
-12	AN155-8S	. . . Barrel - Turnbuckle							1	All
-13	AN669S2LH	. . . Terminal							1	All
-14	109203-7	. . . Cable							1	All
-15	AN23-10	. . Bolt							2	All
-16	AN960-10L	. . Washer							2	All
-17	AN320-3	. . Nut							2	All
-18	AN380C2-2	. . Cotter							2	All
-19	AN23-9	. . Bolt							4	All
-20	AN960D10L	. . Washer							4	All
-21	AN960-10L	. . Washer							4	All
-22	AN320-3	. . Nut							4	All
-23	AN380C2-2	. . Cotter							4	All



Section II
Group Assembly Parts List

Figure & Index No.	Part No.	Nomenclature 1 2 3 4 5 6 7	Units Per Assy	Usage Code
WING CENTER SECTION (Cont)				
Engine Controls Installation (Cont)				
24-24	112651	. . Bellcrank Assembly - Carburetor heat control (iap)	1	w
	112670-1	. . Bellcrank Assembly - Carburetor heat control (iap)	1	x
ATTACHING PARTS				
-25	AN4-37A	. . . Bolt	1	All
-26	AN960D10L	. . . Washer	1	All
-27	AN960D10	. . . Washer	1	All
-28	AN365-428	. . . Nut	1	All
-29	109186-1	. . Rod Assembly - Carburetor air door control (iap)	2	All
ATTACHING PARTS				
-30	AN23-14A	. . . Bolt	1	All
-31	G338-3	. . . Washer	1	All
-32	AN960D10	. . . Washer	1	All
-33	AN364-1032	. . . Nut	1	All
-34	AN24-17A	. . . Bolt	1	All
-35	G338-4	. . . Washer	1	All
-36	AN960D416	. . . Washer	1	All
-37	AN364-428	. . . Nut	1	All
-38	109186-3	. . . Rod Assembly - Riveted	1	All
-39	RE3H5 Bearing (Fafnir Bearing Co.)	1	All
-40	RE4F5	. . . Bearing (Fafnir Bearing Co.)	1	All
-41	AN316-5R	. . . Nut	1	All
-42	109185-1	. . Bellcrank Assembly - Carburetor air door control upper (iap)	2	All
ATTACHING PARTS				
-43	AN4-14A	. . . Bolt	1	All
-44	AN960D416L	. . . Washer	1	All
-45	AN960D416	. . . Washer	1	All
-46	AN365-428	. . . Nut	1	All
-47	BC4W10	. . . Bearing	1	All
-48	109185-2	. . Bellcrank Assembly - Carburetor air door control lower (iap)	1	All
ATTACHING PARTS				
-49	AN4-12A	. . . Bolt	1	All
-50	AN960D416	. . . Washer	2	All
-51	AN365-428	. . . Nut	1	All
-52	BC4W9	. . . Bearing (Fafnir Bearing Co.)	1	All
-53	109176-1	. . Bellcrank Assembly - Throttle and mixture	4	All
ATTACHING PARTS FOR TWO BELLCRANKS				
-54	AN4-27A	. . Bolt	1	All
-55	AN960D416	. . Washer	1	All
-56	G5-D4-28	. . Spacer	1	All
-57	G5-D4-40	. . Spacer	1	All
-58	AN960-416	. . Washer	1	All
-59	AN365-428	. . Nut	1	All
-60	BC4W10	. . . Bearing (Fafnir Bearing Co.)	1	All
-61	109176-3	. . Bellcrank Assembly - Left hand propeller control	2	All
ATTACHING PARTS FOR TWO BELLCRANKS				
-62	AN4-22A	. . Bolt	1	All
-63	AN960D416L	. . Washer	1	All
-64	G5-D4-20	. . Spacer	1	All
-65	G5-D4-80	. . Spacer	1	All
-66	BC4W10	. . . Bearing (Fafnir Bearing Co.)	1	All



Section II
Group Assembly Parts List

Figure & Index No.	Part No.	Nomenclature 1 2 3 4 5 6 7	Units Per Assy	Usage Code
WING CENTER SECTION (Cont)				
Engine Controls Installation (Cont)				
24-67	109176-2	. . Bellcrank Assembly - Right hand propeller control	2	All
ATTACHING PARTS FOR TWO BELLCRANKS				
-68	AN4-22A	. . Bolt	1	All
-69	AN960D416L	. . Washer	1	All
-70	G5-D4-20	. . Spacer	1	All
-71	G5-D4-80	. . Spacer	1	All
-72	BC4W10	. . . Bearing (Fafnir Bearing Co.)	1	All
Fuel System Installation				
25-	No Number	. System Installation - Fuel (Reference Grumman drawing no. 109001)	1	All
-1	109081	. . Outlet Assembly - Fuel tank	2	i
-2	ER816-12D	. . . Nipple (The Weatherhead Co.)	1	i
-3	109081-6	. . . Tube Assembly - 3/4 in. O.D.	1	i
-3	ER819-12 Sleeve (The Weatherhead Co.)	2	i
-3	ER817-12D Nut (The Weatherhead Co.)	2	i
	109081-1	. . . Elbow Assembly	1	i
-4	109081-3 Elbow (Altered from Part No. ER822-12D made by The Weatherhead Co.)	1	i
-5	109081-5 Ring	1	i
-6	109081-4 Screen	1	i
-7	109081-7	. . Outlet Assembly - Fuel tank	2	j
-8	ER816-12D	. . . Nipple (The Weatherhead Co.)	1	j
-9	109081-8	. . . Tube Assembly - 3/4 in. O.D.	1	j
-10	ER819-12 Sleeve (The Weatherhead Co.)	1	j
-10	ER817-12D Nut (The Weatherhead Co.)	1	j
-11	AN819-12D Sleeve	1	j
-11	AN818-12D Nut	1	j
	108651-1	. . . Screen Assembly	1	j
-12	AN833-12D Elbow	1	j
-13	108651-2 Plate	1	j
-14	108651-4 Screen - Side	1	j
-15	AN960D1716 Washer	1	j
-16	AN924-12D Nut	1	j
-17	108651-3 Screen - Base	1	j
-18	108651-5 Pad - Synthetic rubber	1	j
-19	109079-1	. . Fitting (Altered from Part No. ER825-12D made by The Weatherhead Co.)	2	All
-20	109001-13	. . Tube Assembly - 3/4 in. O.D.	1	All
-20	ER819-12	. . . Sleeve (The Weatherhead Co.)	2	All
-20	ER817-12D	. . . Nut (The Weatherhead Co.)	2	All
-21	109084-1L	. . Valve Installation - Selector L.H.	1	All
	109084-2	. . . Valve Assembly (iap)	1	All
ATTACHING PARTS				
-22	AN3-22A Bolt	4	All
-23	AN960D10L Washer	4	All
-24	AN960D10 Washer	8	All
-25	AN365-1032 Nut	4	All
-26	ER822-12D Elbow (The Weatherhead Co.)	3	All
-27	112650 Sprocket	1	All



Figure & Index No.	Part No.	Nomenclature	Units Per Assy	Usage Code
		1 2 3 4 5 6 7		
WING CENTER SECTION (Cont)				
Fuel System Installation (Cont)				
25-28	TCB15200-5 Valve - Fuel tank selector (Thompson Products, Inc.)	1	All
-29	109001-5	. . . Tube Assembly - 3/4 in. O.D.	1	All
-29	ER819-12	. . . Sleeve (The Weatherhead Co.)	2	All
-29	ER817-12D	. . . Nut (The Weatherhead Co.)	2	All
-30	ER832-12D	. . Union (The Weatherhead Co.)	1	All
-30	AN924-12D	. . Nut	1	All
-30	AN901-12C	. . Gasket	2	All
-31	109001-15	. . . Tube Assembly - 3/4 in. O.D.	1	All
-31	ER819-12	. . . Sleeve (The Weatherhead Co.)	2	All
-31	ER817-12D	. . . Nut (The Weatherhead Co.)	2	All
-32	108-00-192	. . Adapter (The Weatherhead Co.)	1	All
-33	109001-11	. . . Tube Assembly - 3/4 in. O.D.	1	All
-33	ER819-12	. . . Sleeve (The Weatherhead Co.)	2	All
-33	ER817-12D	. . . Nut (The Weatherhead Co.)	2	All
-34	109084-1R	. . Valve Installation - Selector R.H.	1	All
	109084-2	. . . Valve Assembly (iap)	1	All
ATTACHING PARTS				
-35	AN3-22A Bolt	4	All
-36	AN960D10L Washer	4	All
-37	AN960D10 Washer	8	All
-38	AN365-1032 Nut	4	All
-39	ER822-12D Elbow (The Weatherhead Co.)	3	All
-40	112650 Sprocket	1	All
-41	TCB15200-5 Valve - Fuel tank selector (Thompson Products, Inc.)	1	All
-42	109001-19	. . . Tube Assembly - 3/4 in. O.D.	1	All
-42	ER819-12	. . . Sleeve (The Weatherhead Co.)	2	All
-42	ER817-12D	. . . Nut (The Weatherhead Co.)	2	All
-43	109001-12	. . . Tube Assembly - 3/4 in. O.D.	1	All
-43	ER819-12	. . . Sleeve (The Weatherhead Co.)	2	All
-43	ER817-12D	. . . Nut (The Weatherhead Co.)	2	All
-44	109001-10	. . . Tube Assembly - 3/4 in. O.D.	1	All
-44	ER819-12	. . . Sleeve (The Weatherhead Co.)	2	All
-44	ER817-12D	. . . Nut (The Weatherhead Co.)	2	All
-45	108-00-162	. . Adapter (The Weatherhead Co.)	1	All
-45	AN924-12D	. . Nut	1	All
-45	AN901-12C	. . Gasket	2	All
-46	AN832-4D	. . Union	1	All
-46	AN924-4D	. . Nut	1	All
-46	AN901-4C	. . Gasket	2	All
-47	109001-9	. . . Tube Assembly - 1/4 in. O.D.	1	All
-47	AN819-4Z	. . . Sleeve	2	All
-47	AN818-4D	. . . Nut	2	All
-48	AN833-4D	. . Elbow	1	All
-48	AN924-4D	. . Nut	1	All
-48	AN960D716	. . Washer	2	All
-49	AN815-4D	. . Union	1	All
-50	109001-14	. . . Tube Assembly - 1/4 in. O.D.	1	All
-50	AN819-4Z	. . . Sleeve	2	All
-50	AN818-4D	. . . Nut	2	All
-51	AN832-4D	. . Union	1	All
-51	AN924-4D	. . Nut	1	All
-51	AN901-4C	. . Gasket	2	All
-52	109001-4	. . . Tube Assembly - 1/4 in. O.D.	1	All
-52	AN819-4Z	. . . Sleeve	2	All



Figure &
Index No.

Part No.

Nomenclature

1 2 3 4 5 6 7

Units Usage
Per Assy Code

WING CENTER SECTION (Cont)

Oil System Installation

26-	No Number	. System Installation - Oil (Reference Grumman drawing no. 109002)	1	All
-1	AN815-4D	. . Union	1	All
-2	109002-6	. . Tube Assembly - 1/4 in. O.D.	1	All
-2	AN819-4Z	. . . Sleeve	2	All
-2	AN818-4D	. . . Nut	2	All
-3	AN832-4D	. . Union	1	All
-3	AN924-4D	. . Nut	1	All
-3	AN901-4C	. . Gasket	2	All
-4	109002-5	. . Tube Assembly - 1/4 in. O.D.	1	All
-4	AN819-4Z	. . . Sleeve	2	All
-4	AN818-4D	. . . Nut	2	All
-5	AN833-4D	. . Elbow	1	All
-5	AN924-4D	. . Nut	1	All
-5	AN960D716	. . Washer	2	All
-6	AN832-4D	. . Union	1	All
-6	AN924-4D	. . Nut	1	All
-6	AN901-4C	. . Gasket	2	All
-7	109002-8	. . Tube Assembly - 1/4 in. O.D.	1	All
-7	AN819-4Z	. . . Sleeve	2	All
-7	AN818-4D	. . . Nut	2	All
-8	AN833-4D	. . Elbow	1	All
-8	AN924-4D	. . Nut	1	All
-8	AN960D716	. . Washer	2	All

Cabin Heating System Installation

27-	No Number	. System Installation - Cabin heating (Reference Grumman drawing no. 110330)	1	All
-1	AN822-4D	. . Elbow	2	All
-2	110333-13	. . Tube Assembly - 1/4 in. O.D.	2	All
-2	AN819-4Z	. . . Sleeve	2	All
-2	AN818-4D	. . . Nut	2	All
-3	AN822-4D	. . Elbow	4	All
-4	12257-26	. . Valve - Solenoid (Adel Precision Products Corp.)	2	All
ATTACHING PARTS				
-5	AN3-14A	. . Bolt	4	All
-6	AN960D10	. . Washer	8	All
-7	AN365-1032	. . Nut	4	All
-8	110333-14	. . Tube Assembly - 1/4 in. O.D.	2	All
-8	AN819-4Z	. . . Sleeve	2	All
-8	AN818-4D	. . . Nut	2	All
-9	AN832-4D	. . Union	2	All
-9	AN924-4D	. . Nut	2	All
-9	AN901-4C	. . Gasket	4	All
-10	110333-16	. . Tube Assembly - 1/4 in. O.D.	1	All
-10	AN819-4Z	. . . Sleeve	2	All
-10	AN818-4D	. . . Nut	2	All
-11	110333-15	. . Tube Assembly - 1/4 in. O.D.	1	All
-11	AN819-4Z	. . . Sleeve	2	All
-11	AN818-4D	. . . Nut	2	All
-12	AN824-4D	. . Tee	1	All



Section II
Group Assembly Parts List

Figure & Index No.	Part No.	Nomenclature 1 2 3 4 5 6 7	Units Per Assy	Usage Code
WING CENTER SECTION (Cont)				
Fire Extinguisher System Installation				
28-	No Number	. System Installation - Fire extinguisher (Reference Grumman drawing no. 109007)	1	All
-1	390A-16D-21	. . Hose (Aeroquip Corp.)	1	All
-2	108-00-226	. . Adapter (The Weatherhead Co.)	1	All
-3	109233-1	. . Block Assembly (iap)	1	All
ATTACHING PARTS				
-4	AN520-10-16	. . . Screw	2	All
-5	AN960D10	. . . Washer	4	All
-6	AN365-1032	. . . Nut	2	All
-7	109233-2	. . . Block - Aft	1	All
-8	109233-3	. . . Block - Center	1	All
-9	109233-4	. . . Block - Forward	1	All
-10	AN3-36A	. . . Bolt	3	All
-11	AN960-10	. . . Washer	6	All
-12	AN365-1032	. . . Nut	3	All
-13	109007-7	. . Tube Assembly - 1 in. O.D.	1	All
-13	ER819-16	. . . Sleeve (The Weatherhead Co.)	2	All
-13	ER817-16	. . . Nut (The Weatherhead Co.)	2	All
-14	ER832-16	. . Union (The Weatherhead Co.)	1	All
-14	AN924-16	. . Nut	1	All
-14	AN901-16C	. . Gasket	2	All
-15	109007-6	. . Tube Assembly - 1 in. O.D.	1	All
-15	ER819-16	. . . Sleeve (The Weatherhead Co.)	2	All
-15	ER817-16D	. . . Nut (The Weatherhead Co.)	2	All
-16	ER815-16D	. . Union (The Weatherhead Co.)	1	All
-17	109007-5	. . Tube Assembly - 1 in. O.D.	1	All
-17	ER819-16	. . . Sleeve (The Weatherhead Co.)	2	All
-17	ER817-16D	. . . Nut (The Weatherhead Co.)	2	All
-18	ER821-16D	. . Elbow (The Weatherhead Co.)	1	All
-19	109007-4	. . Tube Assembly - 1 in. O.D.	1	All
-20	ER819-16	. . . Sleeve (The Weatherhead Co.)	1	All
-20	ER817-16D	. . . Nut (The Weatherhead Co.)	1	All
-21	AN819-16D	. . . Sleeve	1	All
-21	AN818-16D	. . . Nut	1	All
-22	109007-15	. . Tube Assembly - 1 in. O.D.	1	All
-22	AN819-16D	. . . Sleeve	2	All
-22	AN818-16D	. . . Nut	2	All
-23	109007-17	. . Tube Assembly - 1 in. O.D.	1	All
-23	AN819-16D	. . . Sleeve	2	All
-23	AN818-16D	. . . Nut	2	All
-24	390A-16D-9 1/4	. . Hose (Aeroquip Corp.)	1	All
-25	109007-1	. . Tube Assembly - 1 in. O.D.	1	All
-26	ER819-16	. . . Sleeve (The Weatherhead Co.)	1	All
-26	ER817-16D	. . . Nut (The Weatherhead Co.)	1	All
-27	AN819-16D	. . . Sleeve	1	All
-27	AN818-16D	. . . Nut	1	All
-28	109007-20	. . Tube Assembly - 1/2 in. O.D.	1	All
-28	AN819-8D	. . . Sleeve	2	All
-28	AN818-8D	. . . Nut	2	All
-29	AN919-10D	. . Reducer	1	All
-30	109007-19	. . Tube Assembly - 1/2 in. O.D.	1	All
-30	AN819-8D	. . . Sleeve	2	All
-30	AN818-8D	. . . Nut	2	All
-31	AN825-8D	. . Tee	1	All
-32	AN912-12D	. . Reducer	1	All



Figure & Index No.	Part No.	Nomenclature 1 2 3 4 5 6 7	Units Per Assy	Usage Code
-----------------------	----------	-------------------------------	-------------------	---------------

WING CENTER SECTION (Cont)

Fire Extinguisher System Installation (Cont)

28-33	AN816-16D	. . Union	2	All
-34	AN822-16D	. . Elbow	1	All
-35	AN918-8D	. . Cross	1	All
-36	109220-1	. . Support Assembly - Solenoid and stop valve (iap)	1	All
ATTACHING PARTS				
-37	AN4-5A	. . . Bolt	6	All
-38	AN960D416	. . . Washer	6	All
-39	80939	. . . Valve - Direction (Walter Kidde Co., Inc.)	2	All
ATTACHING PARTS				
-40	AN76A5	. . . Bolt	4	All
-41	AN960D616	. . . Washer	4	All
-42	66129	. . . Head - Solenoid control (Walter Kidde Co., Inc.)	2	All
-43	AN894D20-16	. . . Bushing - Expander	4	All
-44	982449	. . . Valve - Stop (Walter Kidde Co., Inc.)	1	All
ATTACHING PARTS				
-45	AN4-30A	. . . Bolt	4	All
-46	AN960D416	. . . Washer	8	All
-47	AN365-428	. . . Nut	4	All
-48	66129	. . . Head - Solenoid control (Walter Kidde Co., Inc.)	1	All
-49	109223-1	. . . Bracket	2	All
-50	109222-1	. . . Channel	1	All
-51	ER821-16D	. . Elbow (The Weatherhead Co.)	1	All
-52	109007-2	. . Tube Assembly - 1 in. O.D.	1	All
-52	ER819-16	. . . Sleeve (The Weatherhead Co.)	2	All
-52	ER817-16D	. . . Nut (The Weatherhead Co.)	2	All
-53	ER815-16D	. . Union (The Weatherhead Co.)	1	All
-54	109007-3	. . Tube Assembly - 1 in. O.D.	1	All
-54	ER819-16	. . . Sleeve (The Weatherhead Co.)	2	All
-54	ER817-16D	. . . Nut (The Weatherhead Co.)	2	All
-55	108-00-256	. . Adapter (The Weatherhead Co.)	1	All
-55	AN924-16	. . Nut	1	All
-55	AN901-16C	. . Gasket	1	All
-56	390A-16D-24	. . Hose (Aeroquip Corp.)	1	All

Pitot Lines Installation

29-1	No Number	. Lines Installation - Pitot L.H.(Reference Grumman drawing no. 106090)	1	All
-2	No Number	. Lines Installation - Pitot R.H. (Reference Grumman drawing no. 106090)	1	k
-3	AN815-4D	. . Union	1	l
-4	106090-11	. . Tube Assembly - Pressure	1	l
-4	AN819-4Z	. . . Sleeve	2	l
-4	AN818-4D	. . . Nut	2	l
-5	AN815-4D	. . Union	1	l
-6	106090-10L	. . Tube Assembly - Pressure L.H. (L.H.)	1	All
-6	AN819-4Z	. . . Sleeve	2	All
-6	AN818-4D	. . . Nut	2	All
-7	106090-10R	. . Tube Assembly - Pressure R.H. (R.H.)	1	k



Section II
Group Assembly Parts List

Figure & Index No.	Part No.	Nomenclature	1 2 3 4 5 6 7	Units Per Assy	Usage Code
-----------------------	----------	--------------	---------------	-------------------	---------------

WING CENTER SECTION (Cont)

Pitot Lines Installation (Cont)

29-7	AN819-4Z	. . . Sleeve		2	k
-7	AN818-4D	. . . Nut		2	k
-8	AN815-4D	. . Union		1	l
-9	106090-9	. . Tube Assembly - Pressure		1	l
-9	AN819-4Z	. . . Sleeve		2	l
-9	AN818-4D	. . . Nut		2	l
-10	AN832-4D	. . Union		1	l
-10	AN960D416	. . Washer		1	l
-10	AN924-4D	. . Nut		1	l
-11	AN815-4D	. . Union		1	l
-12	106090-5	. . Tube Assembly - Static		1	l
-12	AN819-4Z	. . . Sleeve		2	l
-12	AN818-4D	. . . Nut		2	l
-13	AN815-4D	. . Union		1	l
-14	106090-4L	. . Tube Assembly - Static L.H.	(L.H.)	1	All
-14	AN819-4Z	. . . Sleeve		2	All
-14	AN818-4D	. . . Nut		2	All
-15	106090-4R	. . Tube Assembly - Static R.H.	(R.H.)	1	k
-15	AN819-4Z	. . . Sleeve		2	k
-15	AN818-4D	. . . Nut		2	k
-16	AN815-4D	. . Union		1	l
-17	106090-3	. . Tube Assembly - Static		1	l
-17	AN819-4Z	. . . Sleeve		2	l
-17	AN818-4D	. . . Nut		2	l
-18	AN832-4D	. . Union		1	l
-18	AN960D416	. . Washer		1	l
-18	AN924-4D	. . Nut		1	l

Vacuum System Installation

30-	No Number	. System Installation - Vacuum (Reference Grumman drawing no. 109006)		1	All
-1	108-00-188	. . Adapter (The Weatherhead Co.)		1	All
-2	109006-2	. . Tube Assembly - 1/2 in. O.D.		1	All
-2	AN819-8Z	. . . Sleeve		2	All
-2	AN818-8D	. . . Nut		2	All
-3	AN832-8D	. . Union		1	All
-3	AN901-8C	. . Gasket		2	All
-3	AN924-8D	. . Nut		1	All
-4	109006-3	. . Tube Assembly - 1/2 in. O.D.		1	All
-4	AN819-8Z	. . . Sleeve		2	All
-4	AN818-8D	. . . Nut		2	All
-5	109006-11	. . Tube Assembly - 1/2 in. O.D.		1	All
-5	AN819-8Z	. . . Sleeve		2	All
-5	AN818-8D	. . . Nut		2	All
-6	108-00-158	. . Adapter (The Weatherhead Co.)		1	All
-6	AN901-8C	. . Gasket		2	All
-6	AN924-8D	. . Nut		1	All



Section II
Group Assembly Parts List

Figure & Index No.	Part No.	Nomenclature							Units Per Assy	Usage Code
		1	2	3	4	5	6	7		
WING OUTER PANEL										
Complete Outer Panel Assembly										
31-	GSR328-1L	Panel Assembly - Complete outer L.H.							1	All
	GSR328-1R	Panel Assembly - Complete outer R.H.							1	All
Spare Outer Panel Assembly										
32-	GSR329-1L	. Panel Assembly - Spare outer L.H.					(L.H.)	1	All	
	GSR329-1R	. Panel Assembly - Spare outer R.H.					(R.H.)	1	All	
-1	106003L	. . Panel Assembly - Outer L.H. (iap)					(L.H.)	1	All	
		(See Fig. 33)								
	106003R	. . Panel Assembly - Outer R.H. (iap)					(R.H.)	1	All	
		(See Fig. 33)								
ATTACHING PARTS										
-2	AN24-12A	. . . Bolt						5	All	
-3	AN24-14A	. . . Bolt						3	All	
-4	AN960D416L	. . . Washer						8	All	
-5	AN960D416	. . . Washer						8	All	
-6	AN365-428	. . . Nut						8	All	
-7	AN4-4A	. . . Bolt						8	a	
-8	AN4-5A	. . . Bolt						1	a	
-9	AN960D416L	. . . Washer						9	a	
-10	106221-1L	. . . Zee Assembly L.H.					(L.H.)	1	a	
	106221-1R	. . . Zee Assembly R.H.					(R.H.)	1	a	
-11	G377-.051	. . . Cover Assembly - Handhole (iap)						1	All	
ATTACHING PARTS										
-12*	G376-5 Screw						4	All	
-13	AN380C2-1 Cotter						4	All	
-14	G377-.032	. . . Cover Assembly - Handhole (iap)						7	All	
ATTACHING PARTS										
-15	G376-5 Screw						4	All	
-16	AN380C2-1 Cotter						4	All	
-17	G377-.040	. . . Cover Assembly - Handhole (iap)						1	All	
ATTACHING PARTS										
-18	G376-5 Screw						4	All	
-19	AN380C2-1 Cotter						4	All	
-20	106026L	. . Cap Assembly - Wing tip L.H. (See Fig. 40)					(L.H.)	1	All	
	106026R	. . Cap Assembly - Wing tip R.H. (See Fig. 40)					(R.H.)	1	All	
-21	106357L	. . Cover - Running light L.H.					(L.H.)	1	All	
	106357R	. . Cover - Running light R.H.					(R.H.)	1	All	



Section II
Group Assembly Parts List

Figure & Index No.	Part No.	Nomenclature	Units Per Assy	Usage Code
		1 2 3 4 5 6 7		
WING OUTER PANEL (Cont)				
Outer Panel Assembly				
33-	106003L	. . . Panel Assembly - Outer L.H. (iap) (See Fig. 32-1)	(L.H.) Ref	All
	106003R	. . . Panel Assembly - Outer R.H. (iap) (See Fig. 32-1)	(R.H.) Ref	All
-1	106300L	. . . Rib Assembly - Sta. 140 L.H.	(L.H.) 1	All
	106300R	. . . Rib Assembly - Sta. 140 R.H.	(R.H.) 1	All
-2	112002L Fitting Assembly - Flap hinge L.H.	(L.H.) 1	All
	112002R Fitting Assembly - Flap hinge R.H.	(R.H.) 1	All
-3	AN200KP5 Bearing	1	All
-4	112050L Fitting L.H.	(L.H.) 1	All
	112050R Fitting R.H.	(R.H.) 1	All
-5	106301L	. . . Rib Assembly - Sta. 159 L.H.	(L.H.) 1	All
	106301R	. . . Rib Assembly - Sta. 159 R.H.	(R.H.) 1	All
-6	106302L	. . . Rib Assembly - Sta. 181 L.H.	(L.H.) 1	All
	106302R	. . . Rib Assembly - Sta. 181 R.H.	(R.H.) 1	All
-7	106337L Bracket Assembly - Aileron cable L.H.	(L.H.) 1	All
	106337R Bracket Assembly - Aileron cable R.H.	(R.H.) 1	All
-8	AN210-3A Pulley	2	All
ATTACHING PARTS				
-9	AN4-11A Bolt	1	All
-10	AN960D416 Washer	1	All
-11	AN366F428 Nut	1	All
-12	106340 Bracket	2	All
-13	G22-5-32 Spacer	3	All
-14	106338L Bracket Assembly - Aileron cable L.H.	(L.H.) 1	All
	106338R Bracket Assembly - Aileron cable R.H.	(R.H.) 1	All
-15	AN210-3A Pulley	2	All
ATTACHING PARTS				
-16	AN4-11A Bolt	1	All
-17	AN960D416 Washer	1	All
-18	AN366F428 Nut	1	All
-19	106341 Bracket	1	All
-20	106342 Bracket	1	All
-21	G22-5-32 Spacer	3	All
-22	106303L	. . . Rib Assembly - Sta. 205 L.H.	(L.H.) 1	All
	106303R	. . . Rib Assembly - Sta. 205 R.H.	(R.H.) 1	All
-23	112000L Fitting Assembly L.H.	(L.H.) 1	All
	112000R Fitting Assembly R.H.	(R.H.) 1	All
-24	AN200KP5 Bearing	1	All
-25	106304L	. . . Rib Assembly - Sta. 230 L.H.	(L.H.) 1	All
	106304R	. . . Rib Assembly - Sta. 230 R.H.	(R.H.) 1	All
-26	106305L	. . . Rib Assembly - Sta. 249 L.H.	(L.H.) 1	All
	106305R	. . . Rib Assembly - Sta. 249 R.H.	(R.H.) 1	All
-27	106306L	. . . Rib Assembly - Sta. 270 L.H.	(L.H.) 1	All
	106306R	. . . Rib Assembly - Sta. 270 R.H.	(R.H.) 1	All
-28	106326L Hinge Assembly - Aileron L.H.	(L.H.) 1	All
	106326R Hinge Assembly - Aileron R.H.	(R.H.) 1	All
-29	AN201KP4A Bearing	1	All
-30	106307L	. . . Rib Assembly - Sta. 293 L.H.	(L.H.) 1	All
	106307R	. . . Rib Assembly - Sta. 293 R.H.	(R.H.) 1	All
-31	106081L Slot Assembly - Sta. 317 to 368 leading edge L.H. (iap) (See Fig. 34)	(L.H.) 1	All
	106081R Slot Assembly - Sta. 317 to 368 leading edge R.H. (iap) (See Fig. 34)	(R.H.) 1	All



Section II
Group Assembly Parts List

Figure & Index No.	Part No.	Nomenclature							Units Per Assy	Usage Code
		1	2	3	4	5	6	7		
WING OUTER PANEL (Cont)										
Outer Panel Assembly (Cont)										
33-32	106308L	. . .	Rib Assembly - Sta. 317	L.H.	(L.H.)	1	All			
	106308R	. . .	Rib Assembly - Sta. 317	R.H.	(R.H.)	1	All			
-33	106327L	Hinge Assembly	L.H.	(L.H.)	1	All			
	106327R	Hinge Assembly	R.H.	(R.H.)	1	All			
-34	AN201KP4A	Bearing			1	All			
-35	106309L	. . .	Rib Assembly - Sta. 342	L.H.	(L.H.)	1	All			
	106309R	. . .	Rib Assembly - Sta. 342	R.H.	(R.H.)	1	All			
-36	106310L	. . .	Rib Assembly - Sta. 368	L.H.	(L.H.)	1	All			
	106310R	. . .	Rib Assembly - Sta. 368	R.H.	(R.H.)	1	All			
-37	106325L	Hinge Assembly	L.H.	(L.H.)	1	All			
	106325R	Hinge Assembly	R.H.	(R.H.)	1	All			
-38	AN201KP4A	Bearing			1	All			
-39	106311L	. . .	Rib Assembly - Sta. 394	L.H.	(L.H.)	1	All			
	106311R	. . .	Rib Assembly - Sta. 394	R.H.	(R.H.)	1	All			
-40	106311-1L	Rib Assembly	L.H.	(L.H.)	1	All			
	106311-1R	Rib Assembly	R.H.	(R.H.)	1	All			
-41	106086L	Bracket Assembly - Pitot tube	L.H.	(L.H.)	1	All			
	106086R	Bracket Assembly - Pitot tube	R.H.	(R.H.)	1	k			
-42	106087L	Bracket Assembly - Pitot tube	L.H.	(L.H.)	1	All			
	106087R	Bracket Assembly - Pitot tube	R.H.	(R.H.)	1	k			
-43	106360L	. . .	Former Assembly - Wing tip cap	L.H.	(L.H.)	1	All			
	106360R	. . .	Former Assembly - Wing tip cap	R.H.	(R.H.)	1	All			
-44	112057L	. . .	Fitting - Float strut support forward	L.H.	(L.H.)	1	All			
	112057R	. . .	Fitting - Float strut support forward	R.H.	(R.H.)	1	All			
-45	112058-1L	. . .	Tee - Float support inboard	L.H.	(L.H.)	1	All			
	112058-1R	. . .	Tee - Float support inboard	R.H.	(R.H.)	1	All			
-46	112058-2L	. . .	Tee - Float support outboard	L.H.	(L.H.)	1	All			
	112058-2R	. . .	Tee - Float support outboard	R.H.	(R.H.)	1	All			
-47	112060L	. . .	Fitting - Float strut side attachment	L.H.	(L.H.)	1	All			
	112060R	. . .	Fitting - Float strut side attachment	R.H.	(R.H.)	1	All			
-48	112060R	. . .	Fitting - Float strut side attachment	R.H.	(L.H.)	1	All			
	112060L	. . .	Fitting - Float strut side attachment	L.H.	(R.H.)	1	All			
-49	112059-1L	. . .	Tee - Float support outboard	L.H.	(L.H.)	1	All			
	112059-1R	. . .	Tee - Float support outboard	R.H.	(R.H.)	1	All			
-50	112059-2L	. . .	Tee - Float support inboard	L.H.	(L.H.)	1	All			
	112059-2R	. . .	Tee - Float support inboard	R.H.	(R.H.)	1	All			
-51	112061R	. . .	Fitting - Float strut side attachment	R.H.	(L.H.)	1	All			
	112061L	. . .	Fitting - Float strut side attachment	L.H.	(R.H.)	1	All			
-52	112061L	. . .	Fitting - Float strut side attachment	L.H.	(L.H.)	1	All			
	112061R	. . .	Fitting - Float strut side attachment	R.H.	(R.H.)	1	All			
-53	112056L	. . .	Fitting - Float strut support rear	L.H.	(L.H.)	1	All			
	112056R	. . .	Fitting - Float strut support rear	R.H.	(R.H.)	1	All			
-54	106204-1L	. . .	Stiffener	L.H.	(L.H.)	1	All			
	106204-1R	. . .	Stiffener	R.H.	(R.H.)	1	All			
-55	106204-2L	. . .	Stiffener	L.H.	(L.H.)	1	All			
	106204-2R	. . .	Stiffener	R.H.	(R.H.)	1	All			
-56	106204-3L	. . .	Stiffener	L.H.	(L.H.)	1	All			
	106204-3R	. . .	Stiffener	R.H.	(R.H.)	1	All			
-57	106204-4L	. . .	Stiffener	L.H.	(L.H.)	1	All			
	106204-4R	. . .	Stiffener	R.H.	(R.H.)	1	All			
-58	106333-1L	. . .	Angle	L.H.	(L.H.)	1	All			
	106333-1R	. . .	Angle	R.H.	(R.H.)	1	All			
-59	106132L	. . .	Former - Flap and aileron closure	L.H.	(L.H.)	1	All			
	106132R	. . .	Former - Flap and aileron closure	R.H.	(R.H.)	1	All			



Figure & Index No.	Part No.	Nomenclature							Units Per Assy	Usage Code
		1	2	3	4	5	6	7		
WING OUTER PANEL (Cont)										
Pitot Tube and Lines Installation										
35-	106083L	Tube Installation - Pitot L.H.					(L.H.)	1	All
	106083R	Tube Installation - Pitot R.H.					(R.H.)	1	k
-1	369D-012	Head - Pitot tube (Kollsman Instrument Division of Square "D" Co.)						1	1
ATTACHING PARTS										
-2	AN520-6-4	Screw						4	1
-3	AN935-6L	Washer						4	1
-4	106084	Tube (iap)						1	1
ATTACHING PARTS										
-5	AN4-17A	Bolt						1	1
-6	AN960-416	Washer						2	1
-7	AN365-428	Nut						1	1
-8	106088-2	Tube Assembly - Pressure 1/4 in. O.D.						1	1
-8	AN817-4D	Nut						2	1
-9	106088-1	Tube Assembly - Static 1/4 in. O.D.						1	1
-9	AN817-4D	Nut						2	1
	No Number	Lines Installation - Pitot tube L.H. (Reference Grumman drawing no. 106090)					(L.H.)	1	All
	No Number	Lines Installation - Pitot tube R.H. (Reference Grumman drawing no. 106090)					(R.H.)	1	k
-10	AN821-4D	Elbow						2	1
-11	106090-14	Tube Assembly - Pressure 1/4 in. O.D.						1	1
-11	AN819-4Z	Sleeve						2	1
-11	AN818-4D	Nut						2	1
-12	106090-8	Tube Assembly - Static 1/4 in. O.D.						1	1
-12	AN819-4Z	Sleeve						2	1
-12	AN818-4D	Nut						2	1
-13	AN832-4D	Union						2	1
-13	AN924-4D	Nut						2	1
-13	AN960D416	Washer						2	1
-14	106090-13	Tube Assembly - Pressure 1/4 in. O.D.						1	1
-14	AN819-4Z	Sleeve						2	1
-14	AN818-4D	Nut						2	1
-15	106090-7	Tube Assembly - Static 1/4 in. O.D.						1	1
-15	AN819-4Z	Sleeve						2	1
-15	AN818-4D	Nut						2	1
-16	AN815-4D	Union						2	1
-17	106090-12	Tube Assembly - Pressure 1/4 in. O.D.						1	1
-17	AN819-4Z	Sleeve						2	1
-17	AN818-4D	Nut						2	1
-18	106090-6	Tube Assembly - Static 1/4 in. O.D.						1	1
-18	AN819-4Z	Sleeve						2	1
-18	AN818-4D	Nut						2	1



Section II
Group Assembly Parts List

Figure & Index No.	Part No.	Nomenclature	1 2 3 4 5 6 7	Units Per Assy	Usage Code
WING OUTER PANEL (Cont)					
Electrical Installation					
36-	No Number	. . . Electrical Installation (Reference Grumman drawing nos. 110003-2, 110003-3, 110003-4, 110003-5, 110003-6)		Ref	All
	No Number	. . . Electrical Installation (Reference Grumman drawing nos. 110003-2, 110003-3, 110003-4, 110003-5, 110003-6)		Ref	All
-1	110038-1 Cable Assembly - Left wing (See Fig. 38)		1	bg
	110038-2 Cable Assembly - Left wing (See Fig. 38)		1	cx
	110038-3 Cable Assembly - Left wing (See Fig. 38)		1	cy
	110039-1 Cable Assembly - Right wing (See Fig. 39)		1	bg
	110039-2 Cable Assembly - Right wing (See Fig. 39)		1	cz
-2	110138-2 Cable Assembly - Left wing pitot tube heater (See Fig. 37)		1	cy
	110138-1 Cable Assembly - Right wing pitot tube heater (See Fig. 37)		1	da
	110138-3 Cable Assembly - Right wing pitot tube heater (See Fig. 37)		1	db
Right and Left Wing Pitot Tube Heater Cable Assembly					
37-	110138-1 Cable Assembly - Right wing pitot tube heater (See Fig. 36-2)		Ref	da
	110138-3 Cable Assembly - Right wing pitot tube heater (See Fig. 36-2)		Ref	db
	110138-2 Cable Assembly - Left wing pitot tube heater (See Fig. 36-2)		Ref	cy
-1	AN3115 Plug (Furnished with pitot tube part no. 369D-012 made by Kollsman Instrument Co.)		1	All
-2	31900 Terminal (Aircraft Marine Products, Inc.)		2	All



Section II
Group Assembly Parts List

Figure & Index No.	Part No.	Nomenclature	Units Per Assy	Usage Code
		1 2 3 4 5 6 7		

WING OUTER PANEL (Cont)

Left Wing Cable Assembly

38-	110038-1	. . . Cable Assembly - Left wing (See Fig. 36-1) (L.H.)	Ref	bg
	110038-2	. . . Cable Assembly - Left wing (See Fig. 36-1) (L.H.)	Ref	cx
	110038-3	. . . Cable Assembly - Left wing (See Fig. 36-1) (L.H.)	Ref	cy
-1	A-1815 Light - Running (Grimes Manufacturing Co.)	1	All
-2	A-1281 Lens (Grimes Manufacturing Co.)	1	All
-3	A-1524 Lamp (Grimes Manufacturing Co.)	1	All
-4	25677-1 Bracket - Mounting (iap)	1	All
ATTACHING PARTS				
-5	AN515-8-10 Screw	3	All
-6	AN960D8 Washer	3	All
-7	S-2 Light - Anchor (Grimes Manufacturing Co.)	1	All
-8	A-2103-1 Lens (Grimes Manufacturing Co.)	1	All
-9	305 Lamp (General Electric Co.)	1	All
-10	AN3115 Plug (Furnished with pitot tube part no. 369D-012 made by Kollsman Instrument Co.)	1	de
-11	31900 Terminal (Aircraft Marine Products, Inc.)	1	de
-12	AN3106-18-5S Plug	1	bg
-13	G355-3 Boot	1	bg
-14	31889 Terminal (Aircraft Marine Products, Inc.)	2	cz
-15	31900 Terminal (Aircraft Marine Products, Inc.)	3	cz
-16	AN3106-12S-3S Plug	1	All
-17	G355-1 Boot	1	All
-18	31900 Terminal (Aircraft Marine Products, Inc.)	2	All
-19	31889 Terminal (Aircraft Marine Products, Inc.)	6	All

Right Wing Cable Assembly

39-	110039-1	. . . Cable Assembly - Right wing (See Fig. 36-1) (R.H.)	Ref	bg
	110039-2	. . . Cable Assembly - Right wing (See Fig. 36-1) (R.H.)	Ref	cz
-1	A-1815 Light - Running (Grimes Manufacturing Co.)	1	All
-2	A-1280 Lens (Grimes Manufacturing Co.)	1	All
-3	A-1524 Lamp (Grimes Manufacturing Co.)	1	All
-4	25677-1 Bracket - Mounting (iap)	1	All
ATTACHING PARTS				
-5	AN515-8-10 Screw	3	All
-6	AN960D8 Washer	3	All
-7	S-2 Light - Anchor (Grimes Manufacturing Co.)	1	All
-8	A-2103-1 Lens (Grimes Manufacturing Co.)	1	All
-9	305 Lamp (General Electric Co.)	1	All
-10	AN3106-18-5S Plug	1	bg
-11	G355-3 Boot	1	bg
-12	31889 Terminal (Aircraft Marine Products, Inc.)	2	cz
-13	31900 Terminal (Aircraft Marine Products, Inc.)	3	cz
-14	31889 Terminal (Aircraft Marine Products, Inc.)	4	All
-15	31900 Terminal (Aircraft Marine Products, Inc.)	1	All



Section II
Group Assembly Parts List

Figure & Index No.	Part No.	Nomenclature 1 2 3 4 5 6 7	Units Per Assy	Usage Code
WING OUTER PANEL (Cont)				
Wing Tip Cap Assembly				
40-	106026L	. . . Cap Assembly - Wing tip L.H. (iap) (See Fig. 32-20)	(L.H.) Ref	All
	106026R	. . . Cap Assembly - Wing tip R.H. (iap) (See Fig. 32-20)	(R.H.) Ref	All
ATTACHING PARTS				
-1	G301	. . . Bolt	2	All
-2	AN960D416	. . . Washer	2	All
-3	AN365-428	. . . Nut	2	All
-4	106361-1L	. . . Channel L.H.	(L.H.) 1	All
	106361-1R	. . . Channel R.H.	(R.H.) 1	All
-5	40907	. . . Block	1	All
-6	106361-2L	. . . Channel L.H.	(L.H.) 1	All
	106361-2R	. . . Channel R.H.	(R.H.) 1	All
-7	40907	. . . Block	1	All
-8	106358L	. . . Former L.H.	(L.H.) 1	All
	106358R	. . . Former R.H.	(R.H.) 1	All
-9	106026-1L	. . . Cap - Wing tip L.H.	(L.H.) 1	All
	106026-1R	. . . Cap - Wing tip R.H.	(R.H.) 1	All
Aileron Controls Installation				
41-	No Number	. . . Controls Installation - Aileron L.H. (Reference Grumman drawing no. 109304)	(L.H.) 1	All
	No Number	. . . Controls Installation - Aileron R.H. (Reference Grumman drawing no. 109304)	(R.H.) 1	All
-1	109404L	. . . Bellcrank Assembly - Sta. 317 aileron control L.H. (iap)	(L.H.) 1	All
	109404R	. . . Bellcrank Assembly - Sta. 317 aileron control R.H. (iap)	(R.H.) 1	All
ATTACHING PARTS				
-2	AN4-36	. . . Bolt	1	All
-3	AN960D416L	. . . Washer	2	All
-4	AN310-4	. . . Nut	1	All
-5	AN380C2-2	. . . Cotter	1	All
-6	AN4-10	. . . Bolt	3	All
-7	AN960D416L	. . . Washer	6	All
-8	AN310-4	. . . Nut	3	All
-9	AN380C2-2	. . . Cotter	3	All
-10	AN200K4	. . . Bearing	2	All
-11	109401	. . . Rod Assembly - Aileron push	1	All
-12	G75-KS4	. . . Terminal Assembly	1	All
-13	AN200KS4	. . . Bearing	1	All
-14	109402	. . . Rod	1	All
-15	AN316-6R	. . . Nut	1	All



Figure & Index No.	Part No.	Nomenclature 1 2 3 4 5 6 7	Units Per Assy	Usage Code
-----------------------	----------	-------------------------------	-------------------	---------------

WING OUTER PANEL (Cont)

Hydraulics Installation

42-	No Number	. . . Hydraulics Installation L.H. (Reference Grumman drawings no. 109510 and 109533-1) (L.H.)	1	All
	No Number	. . . Hydraulics Installation R.H. (Reference Grumman drawings no. 109510 and 109533-1) (R.H.)	1	All
-1	109500-209WFD-4	. . . Tube Assembly - 1/4 in. O.D. (L.H.)	1	All
	109500-220WFD-4	. . . Tube Assembly - 1/4 in. O.D. (R.H.)	1	All
-1	AN819-4Z Sleeve	2	All
-1	AN818-4D Nut	2	All
-2	AN832-4D	. . . Union - Bulkhead	1	All
-2	AN960D716	. . . Washer	1	All
-2	AN924-4D	. . . Nut	1	All
-3	AN6207-4	. . . Valve - Check	1	All
-4	AN926-4D	. . . Tee	1	All
-4	AN6227-6	. . . Packing - "O" Ring	3	All
-5	25247-1	. . . Restrictor	1	All
-6	109500-210WFD-4	. . . Tube Assembly - 1/4 in. O.D. (L.H.)	1	All
	109500-219WFD-4	. . . Tube Assembly - 1/4 in. O.D. (R.H.)	1	All
-6	AN819-4Z Sleeve	2	All
-6	AN818-4D Nut	2	All
-7	AN832-4D	. . . Union - Bulkhead	1	All
-7	AN960D716	. . . Washer	1	All
-7	AN924-4D	. . . Nut	1	All
-8	109500-211WFD-4	. . . Tube Assembly - 1/4 in. O.D. (L.H.)	1	All
	109500-218WFD-4	. . . Tube Assembly - 1/4 in. O.D. (R.H.)	1	All
-8	AN819-4Z Sleeve	2	All
-8	AN818-4D Nut	2	All
-9	25247-1	. . . Restrictor	1	All
-10	109551	. . . Cylinder Assembly - Wing flap (iap) (See Fig. 43)	1	All
-11	57822	. . . Fitting - Flap actuating cylinder (iap)	1	All
		ATTACHING PARTS		
-12	AN4-7A Bolt	2	All
-13	AN960-416 Washer	2	All
-14	AN365-428 Nut	2	All

Wing Flap Cylinder Assembly

43-	109551	. . . Cylinder Assembly - Wing flap (iap) (See Fig. 42-10)	Ref	All
		ATTACHING PARTS		
-1	AN4-12 Bolt	1	All
-2	AN4-13 Bolt	1	All
-3	AN960-416 Washer	2	All
-4	AN310-4 Nut	2	All
-5	AN380C2-2 Cotter	2	All
-6	AN775-4 Bolt	2	All
-7	AN901-4C Gasket	4	All
-8	ER776-4D Elbow - Universal 90° (The Weatherhead Co.)	2	m
	AN776-4D Elbow - Universal 90°	2	n



Section II
Group Assembly Parts List

Figure & In ² ex No.	Part No.	Nomenclature							Units Per Assy	Usage Code
		1	2	3	4	5	6	7		
WING OUTER PANEL (Cont)										
Wing Flap Cylinder Assembly (Cont)										
43-9	NAS2-101A	Lubricator		1	All
-10	41663-5	Rod - Tie		4	All
-11	AN365-428	Nut		8	All
-12	AN960-416	Washer		8	All
-13	109575	Fitting Assembly		1	All
-14	G26M-4-8	Bushing		1	All
-15	AN6227-23	Packing - "O" Ring		1	All
-16	112801	Body		1	All
-17	112802	Piston		1	All
-18	AN6227-23	Packing - "O" Ring		1	All
-19	112803	Fitting		1	All
-20	AN6227-23	Packing - "O" Ring		1	All
-21	AN6227-15	Packing - "O" Ring		1	All
-22	AN316-8R	Nut		1	All
-23	112804	Terminal		1	All

Covered Aileron Assembly

44-1	106450L	.	Aileron Assembly - Covered L.H. (iap)	(L.H.)	1	All
	106450R	.	Aileron Assembly - Covered R.H. (iap)	(R.H.)	1	All
ATTACHING PARTS						
-2	AN4-11A	.	Bolt		3	All
-3	AN960D416L	.	Washer		3	All
-4	AN960D416	.	Washer		3	All
-5	AN365-428	.	Nut		3	All
-6	106470	.	Tab - Fixed		1	All
-7	106450-2	.	Tape - Surface 3 in. x 20 ft		1	All
-8	106450-3	.	Tape - Surface 2-1/4 in. x 68 ft		1	All
-9	106450-6	.	Tape - Surface 2-1/4 in. x 15 ft		2	All
-10	106450-4	.	Tape - Surface 2-1/4 in. x 48 ft		1	All
-11	106450-10	.	Tape - Cellulose 1/2 in. x 55 ft		1	All
-12	SP2125-1	.	Wire - Fabric attachment		AR	All
-13	1091	.	Sleeving (Hope Webbing Co.) or (B-S6155-C Bridgeport Fabrics, Inc.)		AR	All
-14	106450-5	.	Tape - Surface 1-1/2 in. x 48 ft		1	All
-15	106450-1	.	Cover		1	All
-16	106450-9	.	Tape - Cellulose 1-1/2 in. x 65 ft		1	All
-17	106450-7	.	Patch - Surface 6 in. x 15 in.		6	All
-18	106450-8	.	Reinforcement - Fabric 10 in. x 15 in.		6	All
-19	106450-9	.	Tape - Cellulose		AR	All
-20	AN231-4	.	Grommet		18	All



Section II
Group Assembly Parts List

Figure & Index No.	Part No.	Nomenclature 1 2 3 4 5 6 7	Units Per Assy	Usage Code
WING OUTER PANEL (Cont)				
Structural Aileron Assembly				
45-1	106451L	. . . Aileron Assembly - Structural L.H.	(L.H.) 1	All
	106451R	. . . Aileron Assembly - Structural R.H.	(R.H.) 1	All
-2	106459L	. . . Cap Assembly L.H.	(L.H.) 1	All
	106459R	. . . Cap Assembly R.H.	(R.H.) 1	All
-3	106453-1L Rib - Sta. 152.698 Nose L.H.	(L.H.) 1	All
	106453-1R Rib - Sta. 152.698 Nose R.H.	(R.H.) 1	All
-4	106454-1L Rib - Sta. 152-11/16 Trailing edge L.H.	(L.H.) 1	All
	106454-1R Rib - Sta. 152-11/16 Trailing edge R.H.	(R.H.) 1	All
-5	106461L Strap - Trailing edge L.H.	(L.H.) 1	All
	106461R Strap - Trailing edge R.H.	(R.H.) 1	All
-6	106459-1L Skin Assembly - Welded L.H.	(L.H.) 1	All
	106459-1R Skin Assembly - Welded R.H.	(R.H.) 1	All
-7	106451-1L	. . . Skin - Outboard nose L.H.	(L.H.) 1	All
	106451-1R	. . . Skin - Outboard nose R.H.	(R.H.) 1	All
-8	106451-2L	. . . Skin - Inboard nose L.H.	(L.H.) 1	All
	106451-2R	. . . Skin - Inboard nose R.H.	(R.H.) 1	All
-9	106451-3L	. . . Gusset L.H.	(L.H.) 1	All
	106451-3R	. . . Gusset R.H.	(R.H.) 1	All
-10	106468-4	. . . Weight - Balance	2	All
-11	106468-3	. . . Weight - Balance	2	All
-12	106468-5	. . . Weight - Balance	1	All
-13	106468-2	. . . Weight - Balance	3	All
-14	106468-1	. . . Weight - Balance	2	All
-15	106469-4	. . . Reinforcement - Balance weight	2	All
-16	106469-3	. . . Reinforcement - Balance weight	2	All
-17	106469-2	. . . Reinforcement - Balance weight	2	All
-18	106469-1	. . . Reinforcement - Balance weight	2	All
-19	106453-10L	. . . Rib - Sta. 0.84 Nose L.H.	(L.H.) 1	All
	106453-10R	. . . Rib - Sta. 0.84 Nose R.H.	(R.H.) 1	All
-20	106453-9L	. . . Rib - Sta. 28.623 Nose L.H.	(L.H.) 1	All
	106453-9R	. . . Rib - Sta. 28.623 Nose R.H.	(R.H.) 1	All
-21	112004-1	. . . Fitting	1	All
-22	106453-8L	. . . Rib - Sta. 29.249 Nose L.H.	(L.H.) 1	All
	106453-8R	. . . Rib - Sta. 29.249 Nose R.H.	(R.H.) 1	All
-23	106453-6L	. . . Rib - Sta. 74.844 Nose L.H.	(L.H.) 1	All
	106453-6R	. . . Rib - Sta. 74.844 Nose R.H.	(R.H.) 1	All
-24	106453-5L	. . . Rib - Sta. 76.004 Nose L.H.	(L.H.) 1	All
	106453-5R	. . . Rib - Sta. 76.004 Nose R.H.	(R.H.) 1	All
-25	106463	. . . Bushing	1	All
-26	106453-4L	. . . Rib - Sta. 76.630 Nose L.H.	(L.H.) 1	All
	106453-4R	. . . Rib - Sta. 76.630 Nose R.H.	(R.H.) 1	All
-27	112003	. . . Fitting	1	All
-28	G75-KS4	. . . Terminal Assembly (iap)	1	All
ATTACHING PARTS				
-29	AN4-24 Bolt	1	All
-30	AN960-416 Washer	2	All
-31	AN365-428 Nut	1	All
-32	AN316-6R	. . . Nut - Check	1	All
-33	106453-3L	. . . Rib - Sta. 127.487 Nose L.H.	(L.H.) 1	All
	106453-3R	. . . Rib - Sta. 127.487 Nose R.H.	(R.H.) 1	All
-34	112004-2	. . . Fitting	1	All
-35	106453-2L	. . . Rib - Sta. 128.113 Nose L.H.	(L.H.) 1	All
	106453-2R	. . . Rib - Sta. 128.113 Nose R.H.	(R.H.) 1	All
-36	106452L	. . . Beam Assembly L.H.	(L.H.) 1	All
	106452R	. . . Beam Assembly R.H.	(R.H.) 1	All



Section II
Group Assembly Parts List

Figure & Index No.	Part No.	Nomenclature							Units Per Assy	Usage Code
		1	2	3	4	5	6	7		
WING OUTER PANEL (Cont)										
Structural Aileron Assembly (Cont)										
45-51	106457-1L	. . .	Rib - Sta. 57	Trailing edge	L.H.			(L.H.)	1	All
	106457-1R	. . .	Rib - Sta. 57	Trailing edge	R.H.			(R.H.)	1	All
-52	106456-4L	. . .	Rib - Sta. 66-1/2	Trailing edge	L.H.			(L.H.)	1	All
	106456-4R	. . .	Rib - Sta. 66-1/2	Trailing edge	R.H.			(R.H.)	1	All
-53	106456-3L	. . .	Rib - Sta. 76	Trailing edge	L.H.			(L.H.)	1	All
	106456-3R	. . .	Rib - Sta. 76	Trailing edge	R.H.			(R.H.)	1	All
-54	106456-2L	. . .	Rib - Sta. 85	Trailing edge	L.H.			(L.H.)	1	All
	106456-2R	. . .	Rib - Sta. 85	Trailing edge	R.H.			(R.H.)	1	All
-55	106456-1L	. . .	Rib - Sta. 93-1/2	Trailing edge	L.H.			(L.H.)	1	All
	106456-1R	. . .	Rib - Sta. 93-1/2	Trailing edge	R.H.			(R.H.)	1	All
-56	106455-4L	. . .	Rib - Sta. 102	Trailing edge	L.H.			(L.H.)	1	All
	106455-4R	. . .	Rib - Sta. 102	Trailing edge	R.H.			(R.H.)	1	All
-57	106455-3L	. . .	Rib - Sta. 110-1/2	Trailing edge	L.H.			(L.H.)	1	All
	106455-3R	. . .	Rib - Sta. 110-1/2	Trailing edge	R.H.			(R.H.)	1	All
-58	106455-2L	. . .	Rib - Sta. 119	Trailing edge	L.H.			(L.H.)	1	All
	106455-2R	. . .	Rib - Sta. 119	Trailing edge	R.H.			(R.H.)	1	All
-59	106455-1L	. . .	Rib - Sta. 127-1/2	Trailing edge	L.H.			(L.H.)	1	All
	106455-1R	. . .	Rib - Sta. 127-1/2	Trailing edge	R.H.			(R.H.)	1	All
-60	106454-3L	. . .	Rib - Sta. 135-3/4	Trailing edge	L.H.			(L.H.)	1	All
	106454-3R	. . .	Rib - Sta. 135-3/4	Trailing edge	R.H.			(R.H.)	1	All
-61	106454-2L	. . .	Rib - Sta. 144	Trailing edge	L.H.			(L.H.)	1	All
	106454-2R	. . .	Rib - Sta. 144	Trailing edge	R.H.			(R.H.)	1	All
-62	106467-2	. . .	Block - Trailing edge						1	All
-63	40909-1	. . .	Block - Trailing edge						10	All
-64	40909-2	. . .	Block - Trailing edge						6	All
-65	106467-1	. . .	Block - Trailing edge						1	All
-66	106451-5	. . .	Strip - Trailing edge						1	All
-67	106462L	. . .	Fairing - Trailing edge	L.H.				(L.H.)	1	All
	106462R	. . .	Fairing - Trailing edge	R.H.				(R.H.)	1	All



Section II
Group Assembly Parts List

Figure & Index No.	Part No.	Nomenclature	Units Per Assy	Usage Code
		1 2 3 4 5 6 7		
FLAP				
Covered Flap Assembly				
46-1	106251L	Flap Assembly - Covered L.H. (iap)	1	All
	106251R	Flap Assembly - Covered R.H. (iap)	1	All
ATTACHING PARTS				
-2	AN5-12	. Bolt	2	All
-3	AN5-13	. Bolt	1	All
-4	AN960D516L	. Washer	3	All
-5	AN960D516	. Washer	3	All
-6	AN365-524	. Nut	3	All
-7	106269L	. Cover - Exhaust protection L.H.	(L.H.) 1	All
	106269R	. Cover - Exhaust protection R.H.	(R.H.) 1	All
-8	106251-13	. Tape - Surface 3 in. x 80 ft	1	All
-9	106251-3	. Tape - Surface 2-1/4 in. x 210 ft	1	All
-10	106251-2	. Tape - Surface 1-3/4 in. x 88 ft	1	All
-11	106251-4	. Tape - Cellulose 1/2 in. x 88 ft	1	All
-12	SP2125-1	. Wire - Fabric Attachment	AR	All
-13	1091	. Sleeving (Hope Webbing Co.) or (B-S6155-C Bridgeport Fabrics, Inc.)	AR	All
-14	106251-5	. Tape - Surface 1-1/2 in. x 88 ft	1	All
-15	106251-1	. Cover - Inboard	1	All
-16	106251-14	. Cover - Outboard	1	All
-17	106251-6	. Tape - Cellulose 1/2 in. x 210 ft	1	All
-18	106251-10	. Patch - Surface	1	All
-19	106251-9	. Patch - Surface	1	All
-20	106251-8	. Patch - Surface	1	All
-21	106251-7	. Reinforcement - Fabric	6	All
-22	106251-6	. Tape - Cellulose	AR	All
	106251-11	. Thread - Hand sewing	AR	All
	106251-12	. Thread - Machine	AR	All
Structural Flap Assembly				
47-1	106250L	. Flap Assembly - Structural L.H.	(L.H.) 1	All
	106250R	. Flap Assembly - Structural R.H.	(R.H.) 1	All
-2	106250-3L	. . Skin - Inboard nose L.H.	(L.H.) 1	All
	106250-3R	. . Skin - Inboard nose R.H.	(R.H.) 1	All
-3	106250-1L	. . Skin - Outboard nose L.H.	(L.H.) 1	All
	106250-1R	. . Skin - Outboard nose R.H.	(R.H.) 1	All
-4	106250-4	. . Strip - Splice	1	All
-5	106250-2L	. . Reinforcement L.H.	(L.H.) 1	All
	106250-2R	. . Reinforcement R.H.	(R.H.) 1	All
-6	106257-4	. . Rib Assembly - Sta. O Nose	(L.H.) 1	All
-7	106257-5L	. . . Rib L.H.	1	All
-8	106257-6	. . . Reinforcement	1	All
-9	109589	. . . Lug Welded Assembly - Mounting	1	All
-10	106257-5R	. . Rib - Sta. O Nose R.H.	(R.H.) 1	All
-11	106257-3L	. . Rib - Sta. 8.754 Nose L.H.	(L.H.) 1	All
	106257-3R	. . Rib - Sta. 8.754 Nose R.H.	(R.H.) 1	All
-12	106257-2L	. . Rib - Sta. 17.754 Nose L.H.	(L.H.) 1	All
	106257-2R	. . Rib - Sta. 17.754 Nose R.H.	(R.H.) 1	All



Section II
Group Assembly Parts List

Figure & Index No.	Part No.	Nomenclature							Units Per Assy	Usage Code
		1	2	3	4	5	6	7		
FLAP. (Cont)										
Structural Flap Assembly										
47-13	106257-1L	. .	Rib - Sta. 26.754	Nose	L.H.			(L.H.)	1	All
	106257-1R	. .	Rib - Sta. 26.754	Nose	R.H.			(R.H.)	1	All
-14	106266-1	. .	Bracket - Hinge						1	All
-15	106266-5	. .	Reinforcement						2	All
-16	106256-5L	. .	Rib - Sta. 27.568	Nose	L.H.			(L.H.)	1	All
	106256-5R	. .	Rib - Sta. 27.568	Nose	R.H.			(R.H.)	1	All
-17	106256-4L	. .	Rib - Sta. 36.525	Nose	L.H.			(L.H.)	1	All
	106256-4R	. .	Rib - Sta. 36.525	Nose	R.H.			(R.H.)	1	All
-18	106256-3L	. .	Rib - Sta. 46.299	Nose	L.H.			(L.H.)	1	All
	106256-3R	. .	Rib - Sta. 46.299	Nose	R.H.			(R.H.)	1	All
-19	106256-2L	. .	Rib - Sta. 56.073	Nose	L.H.			(L.H.)	1	All
	106256-2R	. .	Rib - Sta. 56.073	Nose	R.H.			(R.H.)	1	All
-20	106256-1L	. .	Rib - Sta. 65.847	Nose	L.H.			(L.H.)	1	All
	106256-1R	. .	Rib - Sta. 65.847	Nose	R.H.			(R.H.)	1	All
-21	106255-5L	. .	Rib - Sta. 75.621	Nose	L.H.			(L.H.)	1	All
	106255-5R	. .	Rib - Sta. 75.621	Nose	R.H.			(R.H.)	1	All
-22	106268-1L	. .	Rib - Sta. 80.5	Nose	L.H.			(L.H.)	1	All
	106268-1R	. .	Rib - Sta. 80.5	Nose	R.H.			(R.H.)	1	All
-23	106255-4L	. .	Rib - Sta. 85.395	Nose	L.H.			(L.H.)	1	All
	106255-4R	. .	Rib - Sta. 85.395	Nose	R.H.			(R.H.)	1	All
-24	106268-2L	. .	Rib - Sta. 90.25	Nose	L.H.			(L.H.)	1	All
	106268-2R	. .	Rib - Sta. 90.25	Nose	R.H.			(R.H.)	1	All
-25	106255-3L	. .	Rib - Sta. 95.169	Nose	L.H.			(L.H.)	1	All
	106255-3R	. .	Rib - Sta. 95.169	Nose	R.H.			(R.H.)	1	All
-26	106255-2L	. .	Rib - Sta. 100	Nose	L.H.			(L.H.)	1	All
	106255-2R	. .	Rib - Sta. 100	Nose	R.H.			(R.H.)	1	All
-27	106255-1L	. .	Rib - Sta. 104.943	Nose	L.H.			(L.H.)	1	All
	106255-1R	. .	Rib - Sta. 104.943	Nose	R.H.			(R.H.)	1	All
-28	106266-2	. .	Bracket - Hinge						1	All
-29	106266-4	. .	Reinforcement						2	All
-30	112055	. .	Block - Reinforcement						1	All
-31	106254-6L	. .	Rib - Sta. 105.815	Nose	L.H.			(L.H.)	1	All
	106254-6R	. .	Rib - Sta. 105.815	Nose	R.H.			(R.H.)	1	All
-32	106254-5L	. .	Rib - Sta. 107.497	Nose	L.H.			(L.H.)	1	All
	106254-5R	. .	Rib - Sta. 107.497	Nose	R.H.			(R.H.)	1	All
-33	112053	. .	Horn Assembly - Flap						1	All
-34	112053-1	. . .	Horn						1	All
-35	NR4L8	. . .	Bearing (Fafnir Bearing Co.)						1	All
-36	106254-4L	. .	Rib - Sta. 107.997	Nose	L.H.			(L.H.)	1	All
	106254-4R	. .	Rib - Sta. 107.997	Nose	R.H.			(R.H.)	1	All
-37	106254-3L	. .	Rib - Sta. 114.677	Nose	L.H.			(L.H.)	1	All
	106254-3R	. .	Rib - Sta. 114.677	Nose	R.H.			(R.H.)	1	All
-38	106254-2L	. .	Rib - Sta. 119.317	Nose	L.H.			(L.H.)	1	All
	106254-2R	. .	Rib - Sta. 119.317	Nose	R.H.			(R.H.)	1	All
-39	106254-1L	. .	Rib - Sta. 123.927	Nose	L.H.			(L.H.)	1	All
	106254-1R	. .	Rib - Sta. 123.927	Nose	R.H.			(R.H.)	1	All
-40	106253-6L	. .	Rib - Sta. 133.177	Nose	L.H.			(L.H.)	1	All
	106253-6R	. .	Rib - Sta. 133.177	Nose	R.H.			(R.H.)	1	All
-41	106253-5L	. .	Rib - Sta. 142.427	Nose	L.H.			(L.H.)	1	All
	106253-5R	. .	Rib - Sta. 142.427	Nose	R.H.			(R.H.)	1	All
-42	106253-4L	. .	Rib - Sta. 151.677	Nose	L.H.			(L.H.)	1	All
	106253-4R	. .	Rib - Sta. 151.677	Nose	R.H.			(R.H.)	1	All
-43	106253-3L	. .	Rib - Sta. 160.927	Nose	L.H.			(L.H.)	1	All
	106253-3R	. .	Rib - Sta. 160.927	Nose	R.H.			(R.H.)	1	All
-44	106253-2L	. .	Rib - Sta. 170.177	Nose	L.H.			(L.H.)	1	All
	106253-2R	. .	Rib - Sta. 170.177	Nose	R.H.			(R.H.)	1	All



Section II
Group Assembly Parts List

Figure & Index No.	Part No.	Nomenclature							Units Per Assy	Usage Code
		1	2	3	4	5	6	7		
FLAP (Cont)										
Structural Flap Assembly (Cont)										
47-74	106259-2L	.	.	Rib - Sta. 160.927	Trailing edge	L.H.	(L.H.)	1	All	
	106259-2R	.	.	Rib - Sta. 160.927	Trailing edge	R.H.	(R.H.)	1	All	
-75	106259-1L	.	.	Rib - Sta. 170.177	Trailing edge	L.H.	(L.H.)	1	All	
	106259-1R	.	.	Rib - Sta. 170.177	Trailing edge	R.H.	(R.H.)	1	All	
-76	106258-4L	.	.	Rib - Sta. 179.383	Trailing edge	L.H.	(L.H.)	1	All	
	106258-4R	.	.	Rib - Sta. 179.383	Trailing edge	R.H.	(R.H.)	1	All	
-77	106258-3L	.	.	Rib - Sta. 188.589	Trailing edge	L.H.	(L.H.)	1	All	
	106258-3R	.	.	Rib - Sta. 188.589	Trailing edge	R.H.	(R.H.)	1	All	
-78	106258-2L	.	.	Rib - Sta. 197.795	Trailing edge	L.H.	(L.H.)	1	All	
	106258-2R	.	.	Rib - Sta. 197.795	Trailing edge	R.H.	(R.H.)	1	All	
-79	106258-1L	.	.	Rib - Sta. 207	Trailing edge	L.H.	(L.H.)	1	All	
	106258-1R	.	.	Rib - Sta. 207	Trailing edge	R.H.	(R.H.)	1	All	
-80	40909-5	.	.	Block - Trailing edge filler				2	All	
-81	40909-3	.	.	Block - Trailing edge filler				9	All	
-82	40909-1	.	.	Block - Trailing edge filler				13	All	
-83	40909-4	.	.	Block - Trailing edge filler				1	All	
-84	106267-1	.	.	Strip - Trailing edge				1	All	
-85	106267-2	.	.	Strip - Trailing edge				1	All	
-86	106267-3	.	.	Strip - Trailing edge				1	All	



Section II
Group Assembly Parts List

Figure & Index No.	Part No.	Nomenclature	Units Per Assy	Usage Code
		1 2 3 4 5 6 7		
		TAIL		
		Fin Assembly		
48-1	106703	Fin Assembly (iap)	1	All
		ATTACHING PARTS		
-2	AN10-22	. Bolt	2	All
-3	AN10-17	. Bolt	2	All
-4	AN960-1016	. Washer	8	All
-5	AN365-1018	. Nut	4	All
-6	01-006 Die 12	. Edging - Rubber 2-1/2 ft (Goodrich Rubber Co.)	2	All
-7	106720	. Cap Assembly	1	All
-8	106720-2	. . Skin - Welded Assembly	1	All
-9	106809	. . Rib	1	All
-10	106704	. Skin Assembly	1	All
-11	106704-1	. . Skin	1	All
-12	106704-2	. . Skin	1	All
-13	106704-3	. . Skin	1	All
-14	106704-4	. . Stringer	2	All
-15	106704-5	. . Stringer	2	All
-16	106704-6	. . Stringer	2	All
-17	G311-.032	. . Cover - Handhole	2	All
-18	106800	. Beam Assembly - Front	1	All
-19	G27-10-16	. . Bushing	2	All
-20	106811L	. Angle - Front Beam L.H.	1	All
	106811R	. Angle - Front Beam R.H.	1	All
-21	106801	. Beam Assembly - Rear	1	All
-22	G27-10-13	. . Bushing	2	All
-23	106803-1	. Rib Assembly - Diagonal	1	All
-24	106687	. . Guard Assembly	1	All
-25	106687-2	. . . Angle	2	All
-26	106687-1	. . . Plate	2	All
		ATTACHING PARTS		
-27	AN515-8-6	. . . Screw	2	All
-28	AN960-10	. . . Washer	2	All
-29	AN365-832	. . . Nut	2	All
-30	G5-D3-209	. . . Spacer	1	All
-31	AN520-10-44	. . . Screw	1	All
-32	AN960-10	. . . Washer	1	All
-33	AN365-1032	. . . Nut	1	All
-34	106821	. Guide Assembly - Control cable	2	a
-35	111839	. Guide - Control Cable (iap)	1	b
		ATTACHING PARTS		
-36	AN515-8-10	. . Screw	4	b
-37	AN960-8	. . Washer	4	b
-38	AN365-832	. . Nut	4	b
-39	106807-1	. Rib - Sta. 118-1/4 Trailing edge	1	All
-40	106810	. Rib - Sta. 131-1/4 Nose	1	All
-41	106802-1	. Rib - Sta. 131-1/4	1	All
-42	106807-2	. Rib - Sta. 131-1/4 Trailing edge	1	All
-43	106802-2	. Rib - Sta. 143-1/4	1	All
-44	106807-3	. Rib - Sta. 143-1/4 Trailing edge	1	All
-45	106803-2	. Rib Assembly - Sta. 155-1/4	1	All
-46	112202	. . Fitting - Hinge	1	All
-47	106813-2L	. Clip - Antenna L.H.	1	All
-48	106813-2R	. Clip - Antenna R.H.	1	All
-49	42332	. Hook - Antenna	1	All
-50	106807-4	. Rib - Sta. 155-1/4 Trailing edge	1	All



Section II
Group Assembly Parts List

Figure & Index No.	Part No.	Nomenclature 1 2 3 4 5 6 7	Units Per Assy	Usage Code
TAIL (Cont)				
Fin Assembly (Cont)				
48-51	106804-1	. Rib - Sta. 167-1/4	1	All
-52	106686	. Support Assembly - Rudder tab control (iap)	1	All
ATTACHING PARTS				
-53	AN4-3	. . Bolt	4	All
-54	AN960D416L	. . Washer	8	All
-55	AN365-428	. . Nut	4	All
-56	106681-1	. . Angle	2	All
-57	106686-3	. . Plate	2	All
-58	106822-2	. . Support	1	All
-59	106822-1	. . Support	1	All
-60	106820	. . Block Assembly (iap)	2	All
ATTACHING PARTS				
-61	AN515-8-10	. . . Screw	4	All
-62	AN960D8L	. . . Washer	8	All
-63	AN365-832	. . . Nut	4	All
-64	112222	. . . Block	1	All
-65	K6A	. . . Bearing (Fafnir Bearing Co.)	1	All
-66	112220	. . Drum	1	All
-67	106671-1	. Rod Assembly - Trim tab torque (iap)	1	All
ATTACHING PARTS				
-68	AN515-6-12	. . Screw	2	All
-69	AN365-632	. . Nut	2	All
-70	AN271B8	. . Joint - Universal	1	All
-71	106807-5	. Rib - Sta. 167-1/4 Trailing edge	1	All
-72	106804-2	. Rib - Sta. 179-1/4	1	All
-73	106808-1	. Rib - Sta. 179-1/4 Trailing edge	1	All
-74	106804-3	. Rib - Sta. 191	1	All
-75	106808-2	. Rib - Sta. 191 Trailing edge	1	All
-76	106805-1	. Rib - Sta. 204	1	All
-77	106808-3	. Rib - Sta. 204 Trailing edge	1	All
-78	106805-3	. Rib - Fin cap	1	All
-79	106813-1L	. Clip - Antenna L.H.	1	All
-80	106813-1R	. Clip - Antenna R.H.	1	All
-81	42332	. Hook - Antenna	1	All
-82	106817-1L	. Reinforcement - Trailing edge skin L.H.	1	All
-83	106817-1R	. Reinforcement - Trailing edge skin R.H.	1	All
-84	106817-2L	. Reinforcement - Trailing edge skin L.H.	1	All
-85	106817-2R	. Reinforcement - Trailing edge skin R.H.	1	All
-86	106818	. Seal Assembly (iap)	1	All
ATTACHING PARTS				
-87	47-B-3212	. . Screw (Goodrich Rubber Co.)	62	All



Section II
Group Assembly Parts List

Figure &
Index No.

Part No.

Nomenclature

1 2 3 4 5 6 7

Units Usage
Per Assy Code

TAIL (Cont)

Complete Rudder Assembly

49-1	106705	Rudder Assembly - Complete (iap)	1	All
		ATTACHING PARTS		
-2	AN4-6	. Bolt	1	All
-3	AN960-416	. Washer	2	All
-4	AN365-428	. Nut	1	All
-5	AN5-55	. Bolt	1	All
-6	AN960-516	. Washer	2	All
-7	AN365-524	. Nut	1	All
-8	AN6-20	. Bolt	1	All
-9	AN960-616	. Washer	2	All
-10	AN365-624	. Nut	1	All
-11	106706	. Rudder Assembly - Covered	1	All
-12	106706-3	. . Tape - Surface 2-1/4 in. x 432 ft	1	All
-13	106706-3	. . Tape - Surface	AR	All
-14	106706-13	. . Tape - Surface 1-3/4 in. x 288 ft	1	All
-15	106706-14	. . Tape - Cellulose 1/2 in. x 432 ft	1	All
-16	SP2125-1	. . Wire - Fabric attachment	AR	All
-17	1091	. . Sleeving (Hope Webbing Co.) or (B-S6155-C Bridgeport Fabrics, Inc.)	AR	All
-18	106706-5	. . Tape - Surface 3 in. x 108 ft	1	All
-19	106706-1	. . Cover 42 in. x 108 ft	1	All
-20	106706-6	. . Tape - Cellulose 1-1/2 in. x 864 ft	1	All
-21	106706-2	. . Tape - Surface 3 in. x 108 ft	1	All
-22	106706-4	. . Tape - Surface 6 in. x 5 ft 9 in.	1	All
-23	106768-2	. . Retainer	1	All
-24	106706-6	. . Tape - Cellulose	AR	All
-25	106768-1	. . Retainer	1	All
-26	106706-7	. . Reinforcement - Fabric 10 in. x 2 ft 7 in.	1	All
-27	106706-6	. . Tape - Cellulose	AR	All
-28	106706-8	. . Patch - Surface	1	All
-29	106706-9	. . Patch - Surface	1	All
-30	106706-10	. . Patch - Surface	1	All
-31	106864	. . Plate (iap)	2	All
		ATTACHING PARTS		
-32	AN530-4-6	. . . Screw	8	All
-33	20326	. . Cover - Handhole (Columbia Aircraft Services, Inc.)	1	All
-34	20327	. . Ring - Inside handhole (Columbia Aircraft Services, Inc.)	1	All
-35	20328	. . Ring - Outside handhole (Columbia Aircraft Services, Inc.)	1	All
-36	106708	. . Tab Assembly - Rudder (iap) (See Fig. 51)	1	All
		ATTACHING PARTS		
-37	AN4-13A	. . . Bolt	1	All
-38	AN960-416	. . . Washer	1	All
-39	AN365-428	. . . Nut	1	All
-40	AN505-6R6	. . . Screw	28	All
-41	AN960-6L	. . . Washer	56	All
-42	AN365-632	. . . Nut	28	All
-43	53820-7	. . Control Assembly - Rudder tab actuator (iap) (See Fig. 52)	1	All
		ATTACHING PARTS		
-44	AN4-12A	. . . Bolt	1	All
-45	AN960-416	. . . Washer	1	All
-46	AN365-428	. . . Nut	1	All
-47	62147	. . Plate (iap)	1	All
		ATTACHING PARTS		
-48	AN503-416-10	. . . Screw	4	All



Figure & Index No.	Part No.	Nomenclature	1 2 3 4 5 6 7	Units Per Assy	Usage Code
-----------------------	----------	--------------	---------------	-------------------	---------------

TAIL (Cont)

Structural Rudder Assembly (Cont)

50-49	AN960-416 Washer		2	All
-50	AN365-428 Nut		2	All
-51	70422	. . . Hinge - Tab		1	All
-52	106856-2	. . . Rib - Sta. 164-1/16		1	All
-53	106856-3	. . . Rib - Sta. 170		1	All
-54	106854-4	. . . Rib - Sta. 174-3/4		1	All
-55	106857-2	. . . Rib - Diagonal		1	All
-56	106853-3	. . . Rib - Sta. 183-3/4		1	All
-57	106854-1	. . . Rib - Sta. 192-3/4		1	All
-58	106854-2	. . . Rib - Sta. 201-3/4		1	All
-59	106854-3	. . . Rib - Sta. 211		1	All
-60	106856-4	. . . Rib - Sta. 217 Aft		1	All
-61	106841-7	. . . Rib Assembly - Sta. 217 Forward		1	All
-62	106840	. . . Cap Assembly - Upper		1	All
-63	106861-1	. . . Strip - Trailing edge		1	All
-64	106861-2	. . . Strip - Trailing edge		1	All
-65	106861-3	. . . Strip - Trailing edge		1	All
-66	106680	. . . Fairing Welded Assembly - Light		1	All
-67	69721-4	. . . Block - Trailing edge		1	All
-68	40909-2	. . . Block - Trailing edge		4	All
-69	40909-4	. . . Block - Trailing edge		4	All
-70	111809-1	. . . Block - Trailing edge		5	All



Figure & Index No.	Part No.	Nomenclature	Units Per Assy	Usage Code
		1 2 3 4 5 6 7		

TAIL (Cont)

Rudder Tab Assembly

51-	106708	. Tab Assembly - Rudder (See Fig. 49-36)	Ref	All
-1	106708-1	. . Cover	1	All
-2	106708-2	. . Hinge - Bottom	1	All
-3	106708-3	. . Hinge - Top	1	All
-4	106875-2	. . Beam - Forward	1	All
-5	106875-1	. . Beam - Aft	1	All
-6	106876-2	. . Rib	1	All
-7	106876-6L	. . Rib L.H.	1	All
-8	106876-6R	. . Rib R.H.	1	All
-9	106876-3	. . Rib	1	All
-10	62027	. . Horn Assembly	1	All
-11	70407	. . . Horn	1	All
-12	NR4L8	. . . Bearing (Fafnir Bearing Co.)	2	All
-13	106865-1	. . Clip	3	All
-14	106865-2	. . Clip	4	All
-15	69712	. . Block - Trailing edge	2	All

Rudder Tab Actuator Control Assembly

52-	53820-7	. Control Assembly - Rudder tab actuator (iap) (See Fig. 49-43)	Ref	All
-1	57968	. . Tube	1	All
-2	53822-1	. . Universal	1	All
-3	AD4	. . Bearing (Shafer Bearing Corp.)	1	All
-4	53821	. . Shaft Assembly	1	All
-5	53823	. . . Shield	1	All
-6	57941	. . . Shaft - Torque	1	All
-7	57948	. . . Shaft - Inner torque	1	All
-8	53820-3	. . Tube	1	All
-9	57939	. . Terminal	1	All



Figure & Index No.	Part No.	Nomenclature	Units							Usage Code
			1	2	3	4	5	6	7	
TAIL (Cont)										
Stabilizer Assembly										
53-1	106709	Stabilizer Assembly (iap)							1	All
ATTACHING PARTS										
-2	AN12-23	. Bolt							2	All
-3	AN960-1216	. Washer							4	All
-4	AN365-1216	. Nut							2	All
-5	AN8-13	. Bolt							2	All
-6	AN960-816	. Washer							4	All
-7	AN365-820	. Nut							2	All
-8	106651	. Beam Assembly - Front							1	All
-9	G27-10-20	. . Bushing							2	All
-10	G27-12-20	. . Bushing							2	All
-11	106667L	. Angle - Front beam L.H.							2	All
-12	106667R	. Angle - Front beam R.H.							2	All
-13	106650	. Beam Assembly - Rear							1	All
-14	G27-8-7	. . Bushing							2	All
-15	106666-1	. Bulkhead - Forward							1	All
-16	106666-2	. Bulkhead Assembly - Rear							1	All
-17	106722-1	. Bracket Assembly - Tab control pulley (iap)							1	All
ATTACHING PARTS										
-18	AN4-7A	. . Bolt							1	All
-19	AN960-416	. . Washer							1	All
-20	AN365-428	. . Nut							1	All
-21	106722-2	. Bracket Assembly - Tab control pulley (iap)							1	All
ATTACHING PARTS										
-22	AN4-7A	. . Bolt							1	All
-23	AN960-416	. . Washer							1	All
-24	AN365-428	. . Nut							1	All
-25	AN210-2A	. Pulley							2	All
-26	106825	. Plate - Pulley spacer (iap)							1	All
ATTACHING PARTS										
-27	AN3-6A	. . Bolt							2	All
-28	AN960-10	. . Washer							2	All
-29	AN365-1032	. . Nut							2	All
-30	106685	. Guide Assembly							1	All
-31	106661-3	. . Bracket							1	All
-32	106823-1	. . Guard							1	All
-33	FL3C6	. . Bearing - Fairlead (Fafnir Bearing Co.)							1	All
ATTACHING PARTS										
-34	AN3-10	. . Bolt							1	All
-35	AN960-10	. . Washer							1	All
-36	AN365-1032	. . Nut							1	All
-37	106656	. Rib - Sta. 5-1/8 Nose							2	All
-38	106659	. Rib Assembly - Diagonal							2	All
-39	106653-1	. Rib - Sta. 15-1/2							2	All
-40	106653-2	. Rib - Sta. 27-1/2							2	All
-41	106653-4	. Rib Assembly - Sta. 39-1/4							2	All
-42	106655L	. Support Assembly - Tab control L.H. (iap)							1	All
-43	106655R	. Support Assembly - Tab control R.H. (iap)							1	All
ATTACHING PARTS										
-44	AN4-5A	. . Bolt							4	All
-45	AN960-416	. . Washer							4	All



Section II
Group Assembly Parts List

Figure & Index No.	Part No.	Nomenclature							Units Per Assy	Usage Code
		1	2	3	4	5	6	7		
TAIL (Cont)										
Stabilizer Assembly (Cont)										
53-90	AN960D10L	Washer			2	All
-91	AN365-1032	Nut			1	All
-92	106710-1L	Skin - Inboard L.H.			1	All
-93	106710-1R	Skin - Inboard R.H.			1	All
-94	106710-2L	Skin - Midsection L.H.			1	All
-95	106710-2R	Skin - Midsection R.H.			1	All
-96	106710-3	Skin - Outboard			2	All
-97	G311-.032	Cover - Handhole			4	All
-98	106717	Bracket Assembly - Horn			1	All
-99	106665	Bracket			2	All
-100	112210	Fitting Assembly			1	All
-101	AN207D4	Bearing			1	All

Section II
Group Assembly Parts List

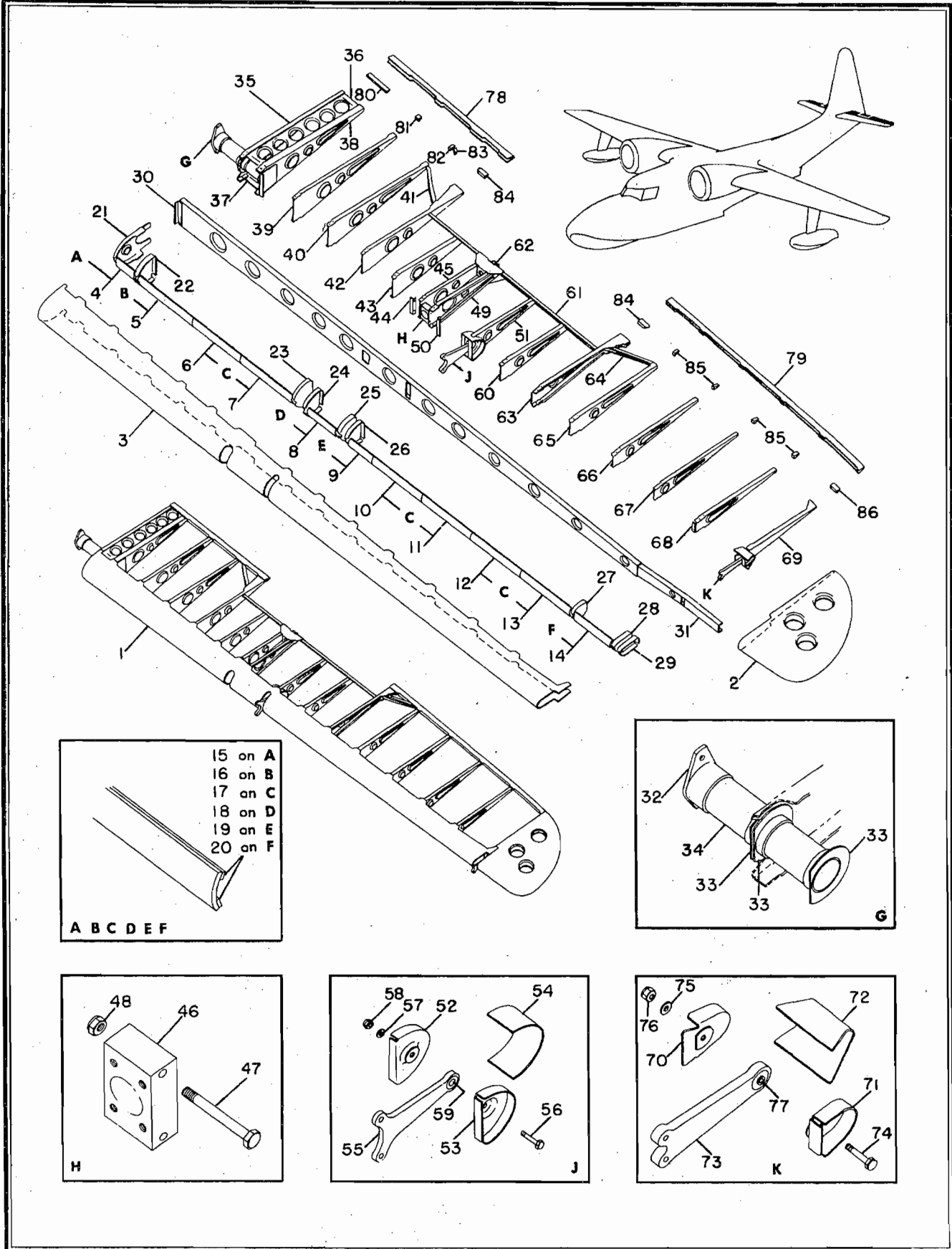


Figure 54—Complete Elevator Assembly



Section II
Group Assembly Parts List

Figure & Index No.	Part No.	Nomenclature							Units Per Assy	Usage Code
		1	2	3	4	5	6	7		
TAIL (Cont)										
Complete Elevator Assembly										
54-1	106711	Elevator Assembly - Complete (iap)							2	All
ATTACHING PARTS										
-2	AN4-11A	. Bolt							4	All
-3	AN960-416	. Washer							8	All
-4	AN365-428	. Nut							4	All
-5	AN6-17	. Bolt							2	All
-6	AN960-616	. Washer							4	All
-7	AN365-624	. Nut							2	All
-8	106712	. Elevator Assembly - Covered							1	All
-9	106712-2	. . Tape - Surface 3 in. x 60 ft							1	All
-10	106712-4	. . Tape - Surface 6 in. x 4 ft							1	All
-11	106712-3	. . Tape - Surface 2-1/4 in. x 420 ft							1	All
-12	106712-11	. . Tape - Surface 1-3/4 in. x 240 ft							1	All
-13	106712-12	. . Tape - Cellulose 1/2 in. x 240 ft							1	All
-14	SP2125-1	. . Wire - Fabric attachment							AR	All
-15	106712-14	. . Sleeving (Identical to 1091 Hope Webbing Co., or B-S6155-C Bridgeport Fabrics, Inc.)							AR	All
-16	106712-5	. . Tape - Surface 1-1/2 in. x 240 ft							1	All
-17	106712-1	. . Cover 60 in. x 42 ft							1	All
-18	106712-6	. . Tape - Cellulose 1/2 in. x 240 ft							1	All
-19	106712-8	. . Patch - Surface 6 in. x 14 in.							3	All
-20	106712-7	. . Reinforcement - Fabric 10 in. x 14 in.							6	All
-21	106712-6	. . Tape - Cellulose							AR	All
-22	106768-3	. . Retainer - Fabric							1	All
-23	106768-4	. . Retainer - Fabric							1	All
-24	106768-5	. . Retainer - Fabric							1	All
-25	106768-6	. . Retainer - Fabric							1	All
-26	106714	. Tab Assembly - Elevator (iap) (See Fig. 56)							1	All
ATTACHING PARTS										
-27	AN4-13A	. . Bolt							1	All
-28	AN960D416	. . Washer							2	All
-29	AN365-428	. . Nut							1	All
-30	AN505-6R6	. . Screw							32	All
-31	AN960D6L	. . Washer							32	All
-32	AN365-632	. . Nut							32	All
-33	53820-5	. Control Assembly - Elevator tab actuator (iap) (See Fig. 57)							1	All
ATTACHING PARTS										
-34	AN4-12A	. . Bolt							1	All
-35	AN960D416	. . Washer							2	All
-36	AN365-428	. . Nut							1	All
-37	106767	. Plate (iap)							1	All
ATTACHING PARTS										
-38	AN503-416-10	. . Screw							4	All

Section II
Group Assembly Parts List

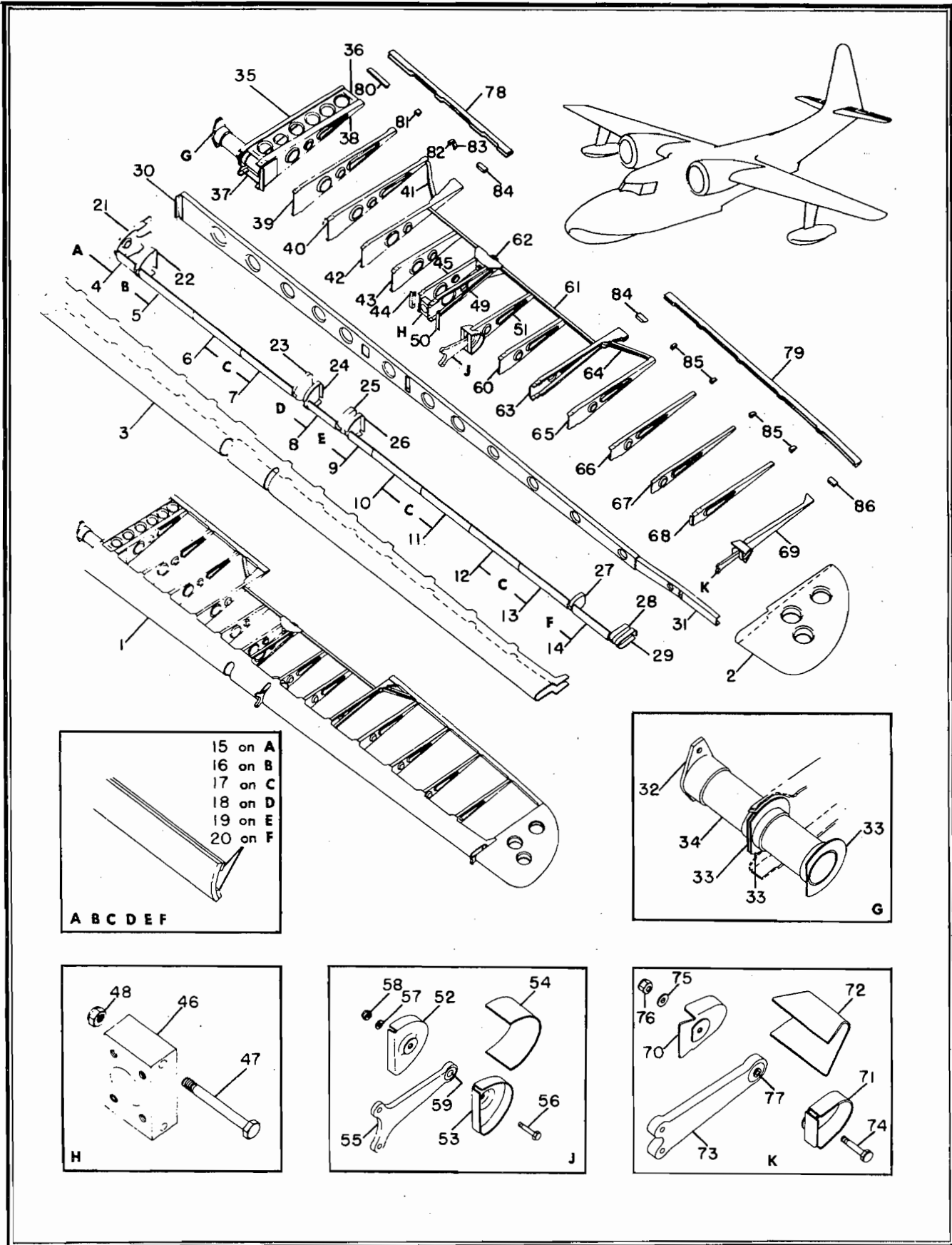


Figure 55—Structural Elevator Assembly



Figure & Index No.	Part No.	Nomenclature	Units Per Assy	Usage Code
		1 2 3 4 5 6 7		

TAIL (Cont)

Structural Elevator Assembly

55-1	106713	. . Elevator Assembly - Structural	1	All
-2	106756	. . . Cap Assembly - Welded	1	All
-3	106713-3	. . . Skin - Nose	1	All
-4	106765-11	. . . Weight - Balance	1	All
-5	106765-10	. . . Weight - Balance	1	All
-6	106765-9	. . . Weight - Balance	1	All
-7	106765-8	. . . Weight - Balance	1	All
-8	106765-7	. . . Weight - Balance	1	All
-9	106765-6	. . . Weight - Balance	1	All
-10	106765-5	. . . Weight - Balance	1	All
-11	106765-4	. . . Weight - Balance	1	All
-12	106765-3	. . . Weight - Balance	1	All
-13	106765-2	. . . Weight - Balance	1	All
-14	106765-1	. . . Weight - Balance	1	All
-15	106713-12	. . . Reinforcement - Balance weight	2	All
-16	106713-11	. . . Reinforcement - Balance weight	2	All
-17	106713-8	. . . Reinforcement - Balance weight	12	All
-18	106713-10	. . . Reinforcement - Balance weight	2	All
-19	106713-9	. . . Reinforcement - Balance weight	2	All
-20	106713-7	. . . Reinforcement - Balance weight	2	All
-21	106751-1	. . . Rib - Sta. 5-3/4 Nose	1	All
-22	106751-2	. . . Rib - Sta. 10-1/4 Nose	1	All
-23	106751-3	. . . Rib - Sta. 43-3/16 Nose	1	All
-24	106751-4	. . . Rib - Sta. 44-13/16 Nose	1	All
-25	106751-5	. . . Rib - Sta. 51-15/16 Nose	1	All
-26	106762-1	. . . Rib - Sta. 52-15/16 Nose	1	All
-27	106762-2	. . . Rib - Sta. 99-1/4 Nose	1	All
-28	106762-3	. . . Rib - Sta. 107-5/8 Nose	1	All
-29	106762-4	. . . Rib - Sta. 108-1/4 Nose	1	All
-30	106750	. . . Beam Assembly	1	All
-31	106761	. . . Beam - Extension	1	All
-32	112208	. . . Collar - Torque tube	1	All
-33	106766	. . . Collar - Torque tube	3	All
-34	106713-4	. . . Tube - Torque	1	All
-35	106752-1	. . . Rib Assembly - Sta. 5-13/16 Trailing edge	1	All
-36	106757-1L	. . . Cover L.H.	1	All
-37	106757-1R	. . . Cover R.H.	1	All
-38	106752-2	. . . Rib Assembly - Sta. 10-1/4 Trailing edge	1	All
-39	106752-3	. . . Rib - Sta. 17-1/4 Trailing edge	1	All
-40	106752-4	. . . Rib - Sta. 24-1/4 Trailing edge	1	All
-41	106760-1	. . . Rib - Diagonal	1	All
-42	106753-1	. . . Rib - Sta. 31-1/4 Trailing edge	1	All
-43	106753-2	. . . Rib - Sta. 37-1/2 Trailing edge	1	All
-44	106713-6	. . . Angle	1	All
-45	106753-3	. . . Rib - Sta. 43-7/32 Trailing edge	1	All
-46	57938	. . . Block - Tab control (iap)	1	All
ATTACHING PARTS				
-47	AN4-21A	. . . Bolt	2	All
-48	AN365-428	. . . Nut	2	All
-49	106753-4	. . . Rib - Sta. 44-25/32 Trailing edge	1	All
-50	106713-5	. . . Angle	1	All
-51	106754-1	. . . Rib Assembly - Sta. 52-7/8 Trailing edge	1	All
-52	106757-4	. . . Rib Assembly - Sta. 51-15/16	1	All
-53	106757-5	. . . Rib Assembly - Sta. 52-15/16	1	All
-54	106713-2	. . . Gusset	1	All

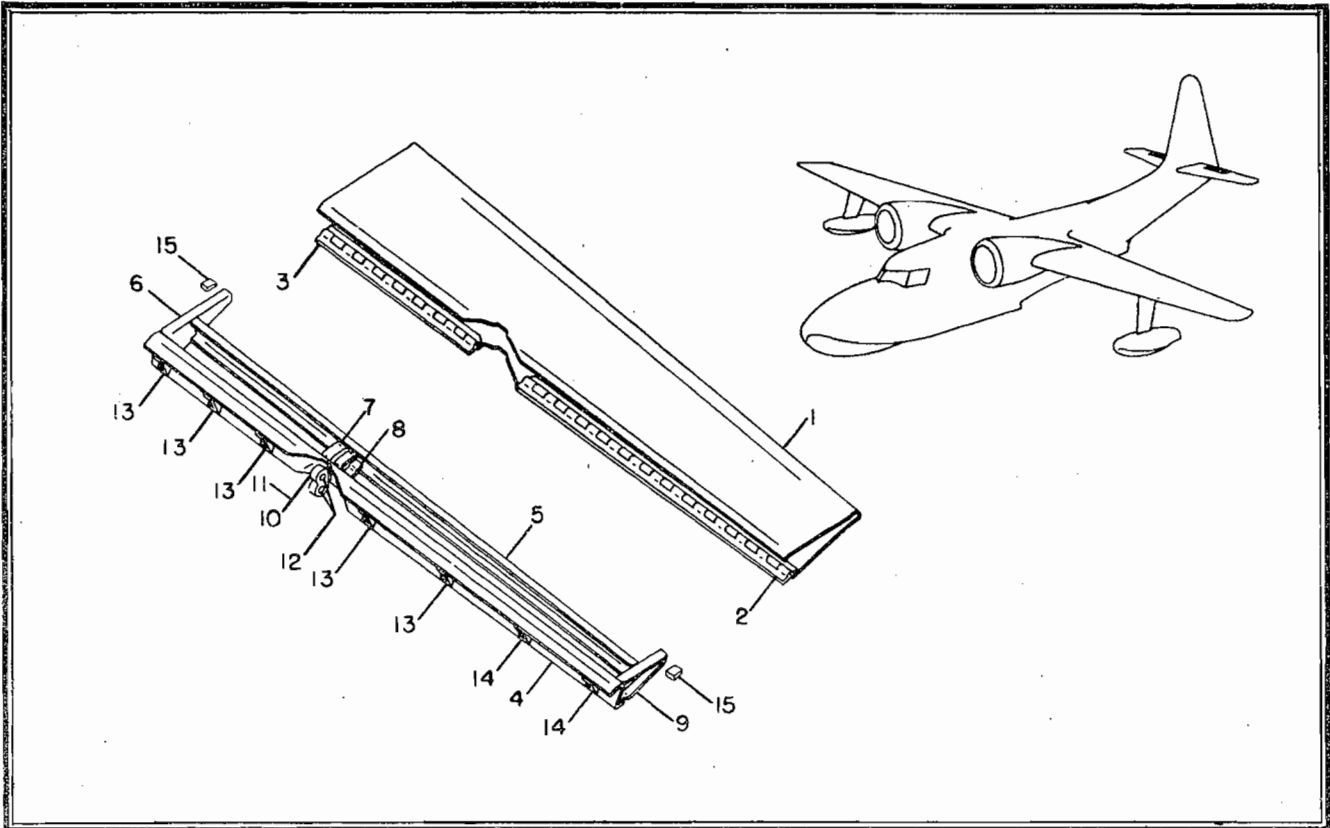


Figure 56—Elevator Tab Assembly

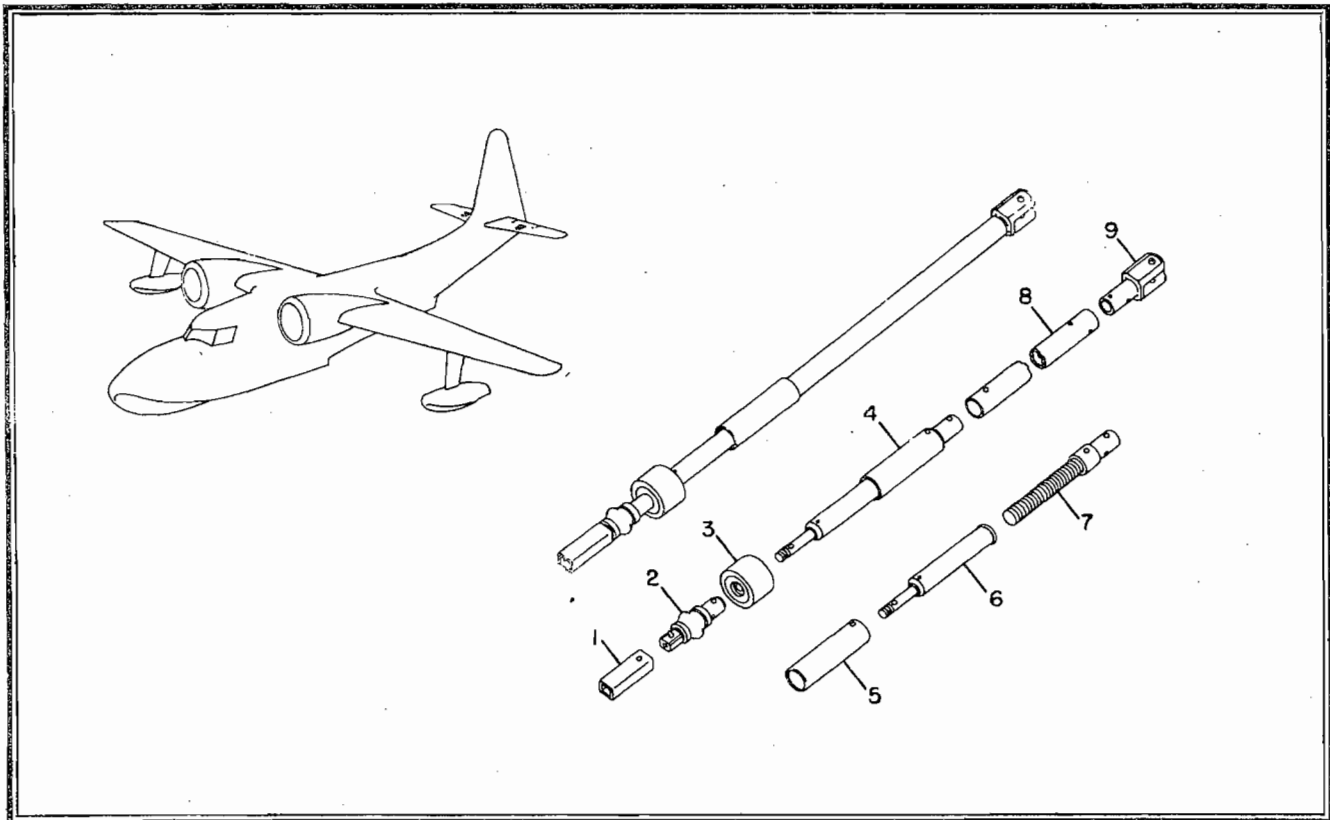


Figure 57—Elevator Tab Actuator Control Assembly



Section II
Group Assembly Parts List

Figure & Index No.	Part No.	Nomenclature	1 2 3 4 5 6 7	Units Per Assy	Usage Code
-----------------------	----------	--------------	---------------	-------------------	---------------

TAIL (Cont)

Structural Elevator Assembly (Cont)

55-55	112203	. . . Fitting Assembly - Hinge (iap)		1	All
		ATTACHING PARTS			
-56	AN4-12A Bolt		1	All
-57	AN960-416L Washer		1	All
-58	AN365-428 Nut		1	All
-59	AN200KP4 Bearing		1	All
-60	106754-2	. . . Rib - Sta. 59-1/2 Trailing edge		1	All
-61	106758-1	. . . Beam Assembly		1	All
-62	57934	. . . Hinge - Tab		1	All
-63	106754-3	. . . Rib - Sta. 65-3/4 Trailing edge		1	All
-64	106760-2	. . . Rib - Diagonal		1	All
-65	106754-4	. . . Rib - Sta. 73-3/4 Trailing edge		1	All
-66	106755-1	. . . Rib - Sta. 82-1/4 Trailing edge		1	All
-67	106755-2	. . . Rib - Sta. 90-3/4 Trailing edge		1	All
-68	106755-5	. . . Rib Assembly - Sta. 99-1/4 Trailing edge		1	All
-69	106755-7	. . . Rib Assembly - Sta. 108-1/4 Trailing edge		1	All
-70	106757-2	. . . Rib Assembly - Sta. 107-5/8		1	All
-71	106757-3	. . . Rib Assembly - Sta. 108-1/4		1	All
-72	106713-1	. . . Gusset		1	All
-73	112206	. . . Fitting Assembly - Hinge (iap)		1	All
		ATTACHING PARTS			
-74	AN4-11A Bolt		1	All
-75	AN960-416L Washer		1	All
-76	AN365-428 Nut		1	All
-77	AN200KP4 Bearing		1	All
-78	106759-1	. . . Strip - Trailing edge		1	All
-79	106759-2	. . . Strip - Trailing edge		1	All
-80	57610-4	. . . Block - Trailing edge		1	All
-81	57610-1	. . . Block - Trailing edge		1	All
-82	40909-2	. . . Block - Trailing edge		1	All
-83	111807-1	. . . Block - Trailing edge		1	All
-84	69721-4	. . . Block - Trailing edge		2	All
-85	40909-7	. . . Block - Trailing edge		4	All
-86	111807-2	. . . Block - Trailing edge		1	All

Section II
Group Assembly Parts List

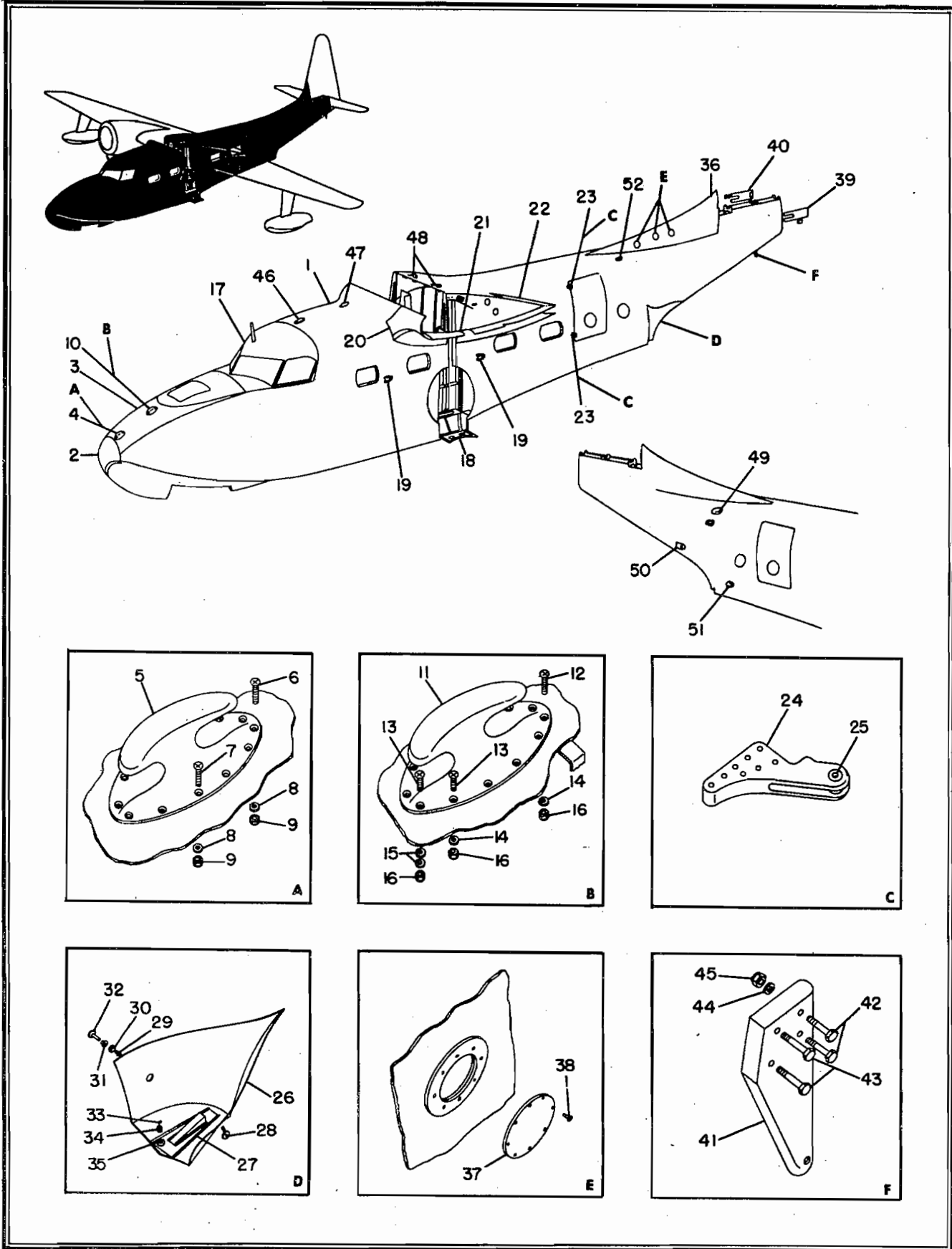


Figure 58—Complete Hull Assembly



Section II
Group Assembly Parts List

Figure & Index No.	Part No.	Nomenclature 1 2 3 4 5 6 7	Units Per Assy	Usage Code
-----------------------	----------	-------------------------------	-------------------	---------------

TAIL (Cont)

Elevator Tab Assembly

56-	106714	. Tab Assembly - Elevator (iap) (See Fig. 54-26)	Ref	All
-1	106714-1	. . Cover	1	All
-2	106714-2	. . Hinge - Outboard	1	All
-3	106714-3	. . Hinge - Inboard	1	All
-4	106775-2	. . Beam - Forward	1	All
-5	106775-1	. . Beam - Aft	1	All
-6	106776-2	. . Rib - Inboard	1	All
-7	106776-6L	. . Rib - L.H.	1	All
-8	106776-6R	. . Rib - R.H.	1	All
-9	106776-3	. . Rib - Outboard	1	All
-10	112200	. . Horn Assembly	1	All
-11	112200-1	. . . Horn	1	All
-12	NR4L8	. . . Bearing (Fafnir Bearing Co.)	2	All
-13	106769-1	. . Clip	5	All
-14	106769-2	. . Clip	2	All
-15	69712	. . Block	2	All

Elevator Tab Actuator Control Assembly

57-	53820-5	. Control Assembly - Elevator tab actuator (iap) (See Fig. 54-33)	Ref	All
-1	57968	. . Tube	1	All
-2	53822-1	. . Universal	1	All
-3	AD4	. . Bearing (Shafer Bearing Corp.)	1	All
-4	53821	. . Shaft Assembly	1	All
-5	53823	. . . Shield	1	All
-6	57941	. . . Shaft - Torque	1	All
-7	57948	. . . Shaft - Inner torque	1	All
-8	53820-6	. . Tube	1	All
-9	57939	. . Terminal	1	All

Section II
Group Assembly Parts List

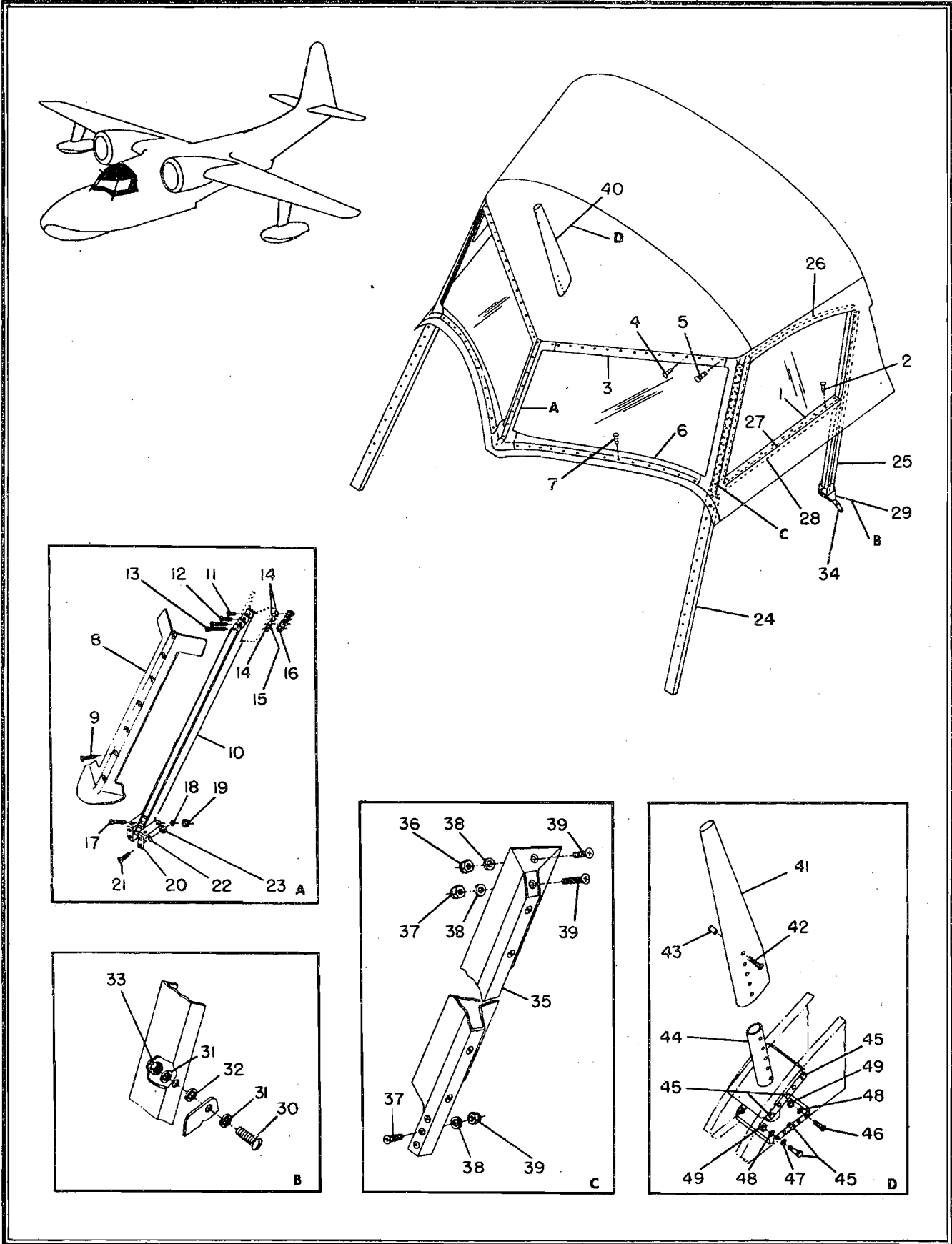


Figure 59—Cockpit Enclosure Assembly



Figure & Index No.	Part No.	Nomenclature	Units							Usage Code
			1	2	3	4	5	6	7	
HULL										
Complete Hull Assembly										
58-	GSR331-1	Hull Assembly Complete							1	All
-1	GSR332-1	. Hull Assembly - Structural							1	All
-2	107225-29	. . Skin - Bow							1	All
-3	107002	. . Deck Assembly - Bow							1	All
-4	107034	. . . Cleat Installation - Mooring and towing							1	u
-5	111411-1 Cleat (iap)							1	u
ATTACHING PARTS										
-6	G94-16 Screw							2	u
-7	G94-12 Screw							10	u
-8	AN960-416 Washer							12	u
-9	AN365-428 Nut							12	u
-10	107539	. . . Cleat Installation - Mooring and towing							1	v
-11	111420-1 Cleat (iap)							1	v
ATTACHING PARTS										
-12	G94-15 Screw							2	v
-13	G94-12 Screw							10	v
-14	AN960D416 Washer							10	v
-15	AN960D416L Washer							4	v
-16	AN365-428 Nut							12	v
-17	107003	. . Enclosure Assembly - Cockpit (See Fig. 59)							1	All
-18	108034L	. . Door Assembly - Landing gear L.H.							1	All
	108034R	. . Door Assembly - Landing gear R.H.							1	All
-19	110321L	. . Scoop Assembly - Cabin air ventilating L.H.							2	All
	110321R	. . Scoop Assembly - Cabin air ventilating R.H.							2	All
-20	107116L	. . Fairing - Wing to hull leading edge L.H.							1	All
	107116R	. . Fairing - Wing to hull leading edge R.H.							1	All
-21	107397L	. . Fairing - Wing to hull intermediate L.H.							1	All
	107397R	. . Fairing - Wing to hull intermediate R.H.							1	All
-22	107365L	. . Fairing - Wing to hull aft L.H.							1	All
	107365R	. . Fairing - Wing to hull aft R.H.							1	All
-23	112336-1	. . Fitting Assembly - Main door forward hinge							2	All
-24	112336	. . . Fitting							1	All
-25	G26-M4-3	. . . Bushing							1	All
-26	107585-1	. . Fairing Assembly - Rear step							1	All
-27	107587-1	. . . Box Assembly - Floor enclosure							1	ci
	107666-1	. . . Box Assembly - Floor enclosure							1	cj
-28	111378	. . . Vent Assembly - Water and heater gas							1	All
	111287-1	. . . Outlet Assembly - Heater drain							1	All
-29	AN815-4 Union							1	All
-30	AN818-4 Nut							1	All
-31	AN819-4 Sleeve							1	All
-32	111287-2 Outlet Assembly							1	All
	112355-1	. . . Drain Assembly - Rear step fairing							1	All
-33	112357 Wire							1	All
-34	112356 Plug							1	All
-35	112358 Fitting							1	All
-36	107006	. . Fin Assembly - Dorsal							1	All
-37	107031-1	. . . Cover Assembly - Handhole (iap)							3	All
ATTACHING PARTS										
-38	G92-8 Screw							8	All
-39	106819L	. . Door Assembly - Fin to hull L.H.							1	All
-40	106819R	. . Door Assembly - Fin to hull R.H.							1	All
-41	111832	. . Mast Assembly - Radio antenna (iap)							1	All
ATTACHING PARTS										
-42	AN4-12A	. . . Bolt							2	All
-43	AN4-13A	. . . Bolt							2	All

Section II
Group Assembly Parts List



Figure & Index No.	Part No.	Nomenclature 1 2 3 4 5 6 7	Units Per Assy	Usage Code
HULL (Cont)				
Complete Hull Assembly (Cont)				
58-44	AN960-416 Washer	4	All
-45	AN365-428 Nut	4	All
-46	107037-1	. . Support Assembly - MN54A loop unit	1	All
-47	107437-1	. . Support Assembly - MN36A loop	1	All
-48	110321-14	. . Scoop Assembly - Cabin exhaust air	2	All
-49	111283	. . Duct Assembly - Heater main inlet	1	All
-50	111292	. . Pipe Installation - Heater exhaust	1	All
-51	110522	. . Scoop - Lavatory basin drain	1	All
-52	111258	. . Wiper Assembly - Sta. 384 - Toilet air outlet	1	All
Cockpit Enclosure Assembly				
59-	107003	. . Enclosure Assembly - Cockpit (See Fig. 58-17)	Ref	All
-1	110457L	. . . Moulding - Window L.H. (iap)	1	All
	110457R	. . . Moulding - Window R.H. (iap)	1	All
ATTACHING PARTS				
-2	G93-7 Screw	11	All
-3	107277	. . . Retainer - Windshield glass upper (iap)	2	All
ATTACHING PARTS				
-4	G92-10 Screw	12	All
-5	G92-6 Screw	1	All
-6	107251L	. . . Retainer - Windshield glass lower L.H. (Used with 3/16 in. glass) (iap)	1	All
	107251-1L	. . . Retainer - Windshield glass lower L.H. (Used with 1/4 in. glass) (iap)	1	All
	107251R	. . . Retainer - Windshield glass lower R.H. (Used with 3/16 in. glass) (iap)	1	All
	107251-1R	. . . Retainer - Windshield glass lower R.H. (Used with 1/4 in. glass) (iap)	1	All
ATTACHING PARTS				
-7	G92-10 Screw	14	All
-8	107250	. . . Retainer - Windshield glass center post (iap)	1	All
ATTACHING PARTS				
-9	G92-6 Screw	7	All
-10	112300	. . . Post - Windshield center (iap)	1	All
ATTACHING PARTS				
-11	G93-8 Screw	1	All
-12	G93-10 Screw	1	All
-13	G93-12 Screw	2	All
-14	AN960D10L Washer	3	All
-15	AN960D10 Washer	1	All
-16	AN365-1032 Nut	4	All
-17	G93-14 Screw	4	All
-18	AN960-10L Washer	4	All
-19	AN365-1032 Nut	4	All
-20	107269	. . . Bracket - Center post (iap)	1	All
ATTACHING PARTS				
-21	AN23-8 Bolt	4	All
-22	AN960D416 Washer	4	All
-23	AN364-428 Nut	4	All
-24	107297-4	. . . Channel - Window sealing side	2	All



Section II
Group Assembly Parts List

Figure & Index No.	Part No.	Nomenclature 1 2 3 4 5 6 7	Units Per Assy	Usage Code
HULL (Cont)				
Cockpit Enclosure Assembly (Cont)				
59-25	107297-5	. . . Channel - Window sealing side	2	All
-26	107286-5	. . . Channel - Window sealing top	2	All
-27	107047-2	. . . Seal - Sliding window	2	All
-28	107047-1	. . . Seal - Sliding window	2	All
-29	107046	. . . Funnel - Side window drain (iap)	2	All
ATTACHING PARTS				
-30	AN526-6-8 Screw	2	All
-31	AN960D6L Washer	4	All
-32	AN960D6 Washer	2	All
-33	AN365-632 Nut	2	All
-34	107025-6	. . . Tube - Drain L.H.	1	All
	107025-7	. . . Tube - Drain R.H.	1	All
-35	112330	. . . Post - Corner (iap)	2	All
ATTACHING PARTS				
-36	G93-7 Screw	1	All
-37	G93-12 Screw	4	All
-38	AN960-10 Washer	5	All
-39	AN365-1032 Nut	5	All
-40	107424	. . . Mast and Support Installation - Antenna	1	All
-41	107439 Mast Assembly (iap)	1	All
ATTACHING PARTS				
-42	G93-16 Screw	5	All
-43	10K221 Rivnut (Goodrich Rubber Co.)	5	All
-44	107419 Support Assembly (iap)	1	All
ATTACHING PARTS				
-45	AN3-4A Bolt	10	All
-46	G93-8 Screw	2	All
-47	AN960D10L Washer	10	All
-48	AN960-10 Washer	12	All
-49	AN365-1032 Nut	12	All

Section II
Group Assembly Parts List

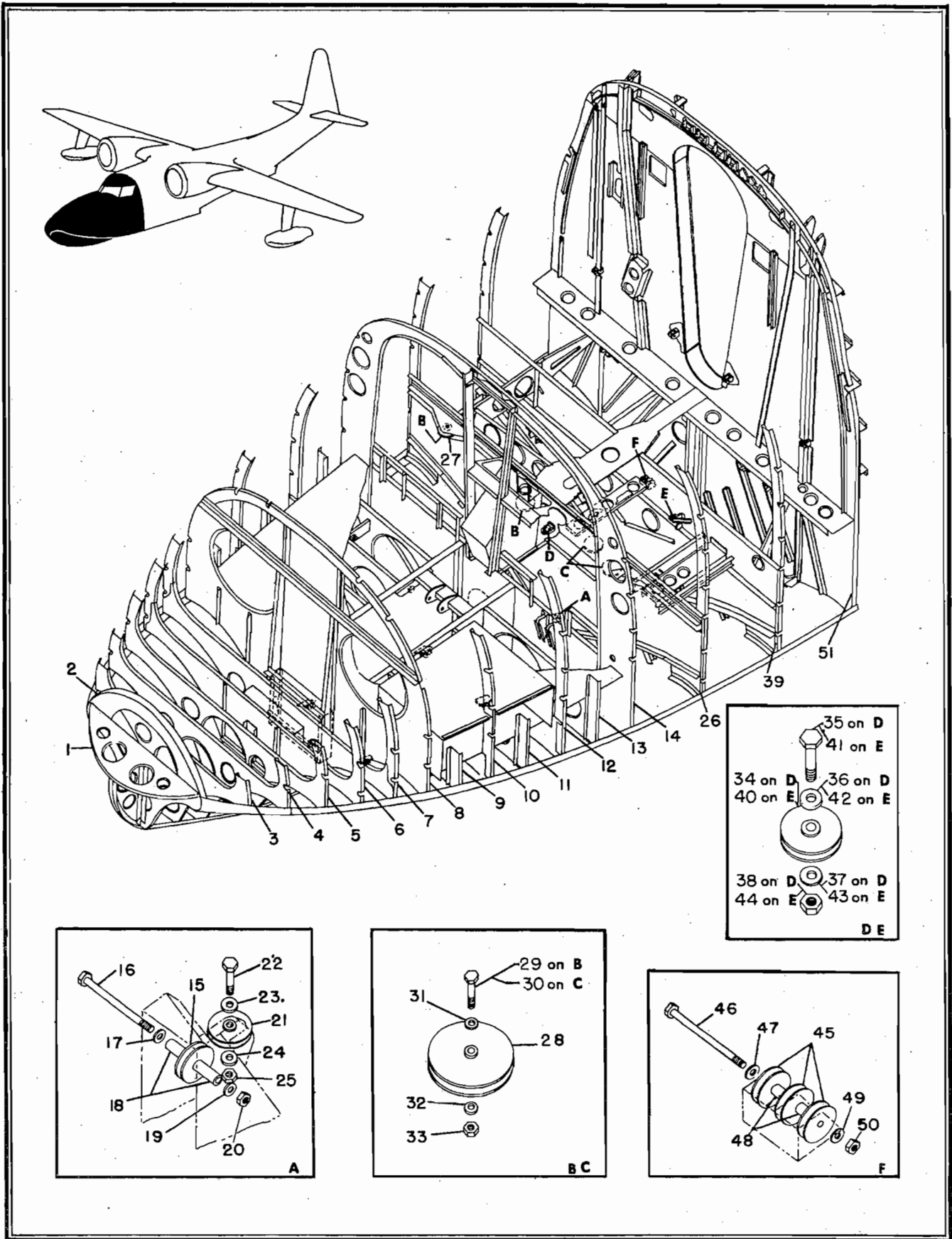


Figure 60—Sta. 0 to 140 Hull Structure (See Fig. 61)



Section II
Group Assembly Parts List

Figure & Index No.	Part No.	Nomenclature	Units Per Assy	Usage Code
		1 2 3 4 5 6 7		
HULL (Cont)				
Sta. 0 to 140 Hull Structure				
60-1	107344	. . . Bumper Assembly - Nose	1	All
-2	107050-1	. . . Frame - Sta. 17	1	All
-3	107051	. . . Frame - Sta. 23	1	All
-4	107052	. . . Frame - Sta. 29	1	All
-5	107053	. . . Frame - Sta. 35	1	All
-6	107054	. . . Frame Assembly - Sta. 41	1	All
-7	107055	. . . Frame Assembly - Sta. 47	1	All
-8	107056	. . . Bulkhead Assembly - Sta. 53	1	All
-9	107057L	. . . Frame Assembly - Sta. 59 L.H.	1	All
	107057R	. . . Frame Assembly - Sta. 59 R.H.	1	All
-10	107058L	. . . Frame Assembly - Sta. 65 L.H.	1	All
	107058R	. . . Frame Assembly - Sta. 65 R.H.	1	All
-11	107059L	. . . Frame Assembly - Sta. 72 L.H.	1	All
	107059R	. . . Frame Assembly - Sta. 72 R.H.	1	All
-12	107060L	. . . Frame Assembly - Sta. 79 L.H.	1	All
	107060R	. . . Frame Assembly - Sta. 79 R.H.	1	All
-13	107061L	. . . Frame Assembly - Sta. 86 L.H.	1	All
	107061R	. . . Frame Assembly - Sta. 86 R.H.	1	All
-14	107062	. . . Bulkhead Assembly - Sta. 93	1	ae
	107573	. . . Bulkhead Assembly - Sta. 93	1	k
-15	AN210-1A	. . . Pulley - Rudder servo control cable	1	z
ATTACHING PARTS				
-16	AN3-23A	. . . Bolt	1	z
-17	AN960A10L	. . . Washer	1	z
-18	G5-D3-49	. . . Spacer	2	z
-19	AN960D10	. . . Washer	1	z
-20	AN365-1032	. . . Nut	1	z
-21	AN210-1A	. . . Pulley - Rudder servo control cable	1	z
ATTACHING PARTS				
-22	AN3-6A	. . . Bolt	1	z
-23	AN960A10L	. . . Washer	1	z
-24	AN960D10	. . . Washer	1	z
-25	AN365-1032	. . . Nut	1	z
-26	107063	. . . Bulkhead Assembly - Sta. 108	1	All
-27	109387	. . . Bracket Assembly	1	All
-28	AN210-4A	. . . Pulley - Rudder control cable	4	All
ATTACHING PARTS				
-29	AN4-11A	. . . Bolt	2	All
-30	AN4-16A	. . . Bolt	2	All
-31	AN960D416L	. . . Washer	4	All
-32	AN960D416	. . . Washer	4	All
-33	AN365-428	. . . Nut	4	All
-34	AN210-1A	. . . Pulley - Rudder servo control cable	1	z
ATTACHING PARTS				
-35	AN3-6A	. . . Bolt	1	z
-36	AN960A10L	. . . Washer	1	z
-37	AN960D10	. . . Washer	1	z
-38	AN365-1032	. . . Nut	1	z
-39	107064	. . . Bulkhead Assembly - Sta. 124	1	All
-40	AN210-1A	. . . Pulley - Elevator trim tab servo control cable	2	z
ATTACHING PARTS				
-41	AN3-6A	. . . Bolt	2	z
-42	AN960A10L	. . . Washer	2	z
-43	AN960D10	. . . Washer	2	z

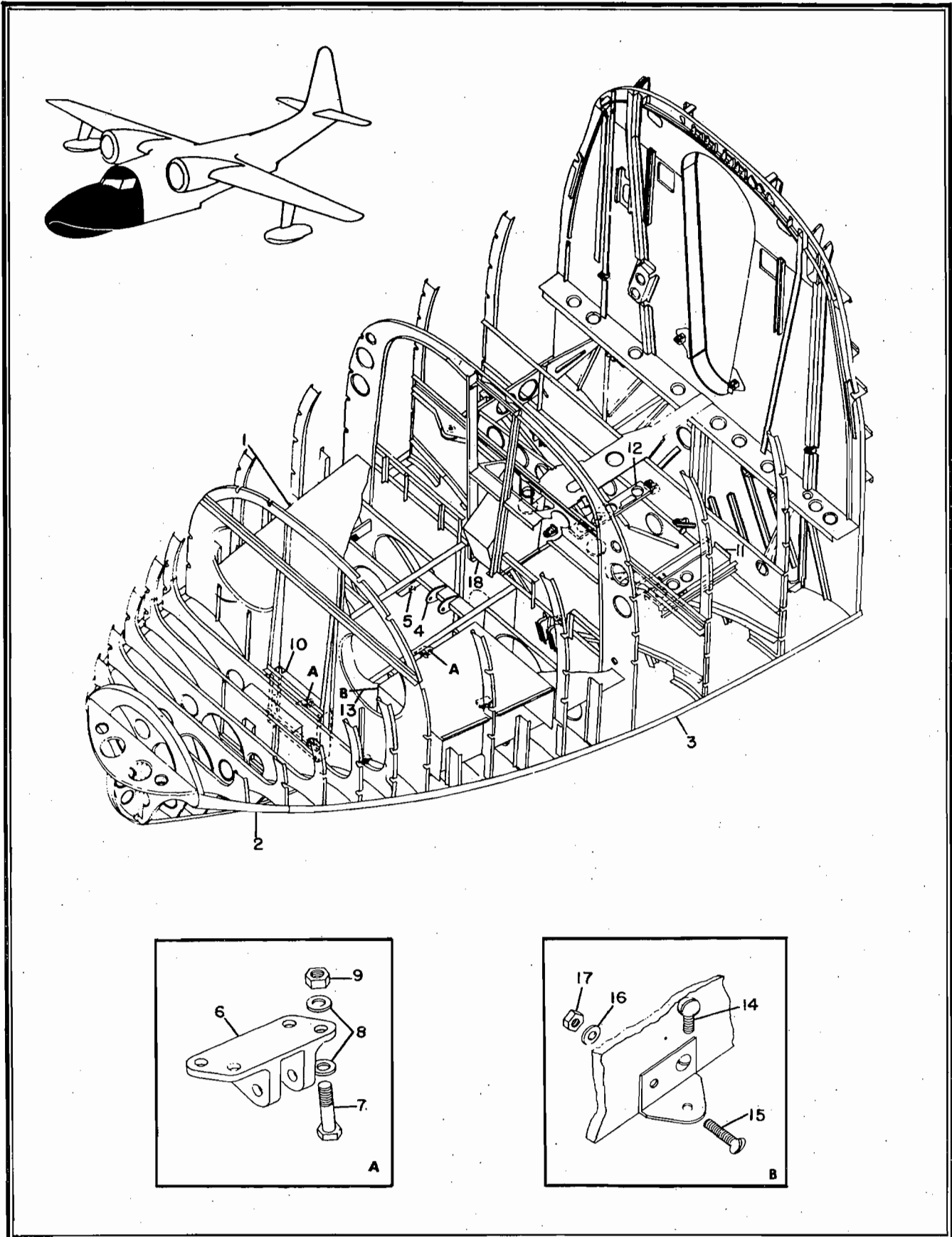


Figure 61—Sta. 0 to 140 Hull Structure (See Fig. 60)



Section II
Group Assembly Parts List

Figure & Index No.	Part No.	Nomenclature 1 2 3 4 5 6 7	Units Per Assy	Usage Code
HULL (Cont)				
Sta. 0 to 140 Hull Structure (Cont)				
60-44	AN365-1032	. . . Nut	2	z
-45	AN210-1A	. . . Pulley - Servo engaging control	3	z
ATTACHING PARTS				
-46	AN3-24A	. . . Bolt	1	z
-47	AN960A10L	. . . Washer	1	z
-48	G5-D3-33	. . . Spacer	2	z
-49	AN960D10	. . . Washer	1	z
-50	AN365-1032	. . . Nut	1	z
-51	107065	. . Bulkhead Assembly - Sta. 140 (See Fig. 65)	1	All
61-1	107028	. . Floor Assembly - Sta. 41 to 93 - Bow hatch	1	All
-2	107125-1L	. . Angle - Sta. 17 to 32 L.H. - Chine	1	All
	107125-1R	. . Angle - Sta. 17 to 32 R.H. - Chine	1	All
-3	107126-1L	. . Chine - Sta. 32 to 170 L.H.	1	All
	107126-1R	. . Chine - Sta. 32 to 170 R.H.	1	All
-4	107307	. . Fitting Assembly - Nose wheel hydraulic cylinder	1	All
-5	112537-1	. . Bushing - Nose wheel position indicator	1	All
-6	112340	. . Fitting - Nose wheel door hinge (iap)	4	All
ATTACHING PARTS				
-7	AN4-7A	. . . Bolt	4	All
-8	AN960A416L	. . . Washer	8	All
-9	AN365-1032	. . . Nut	4	All
-10	107321L	. . Fitting Assembly - Nose wheel trunnion support L.H.	1	All
	107321R	. . Fitting Assembly - Nose wheel trunnion support R.H.	1	All
-11	110723	. . Support Assembly - Aileron servo unit	1	z
-12	110743	. . Bracket Assembly - Auto pilot engaging pulley	1	z
-13	107423	. . Cover Assembly and Installation - Compass receiver (iap)	1	All
ATTACHING PARTS				
-14	AN526-1032-8	. . . Screw	3	All
-15	AN520-10-12	. . . Screw	6	All
-16	AN960-10L	. . . Washer	6	All
-17	AN365-1032	. . . Nut	6	All
-18	111026	. . . Map Case and Radio Panel Installation	1	All

Section II
Group Assembly Parts List

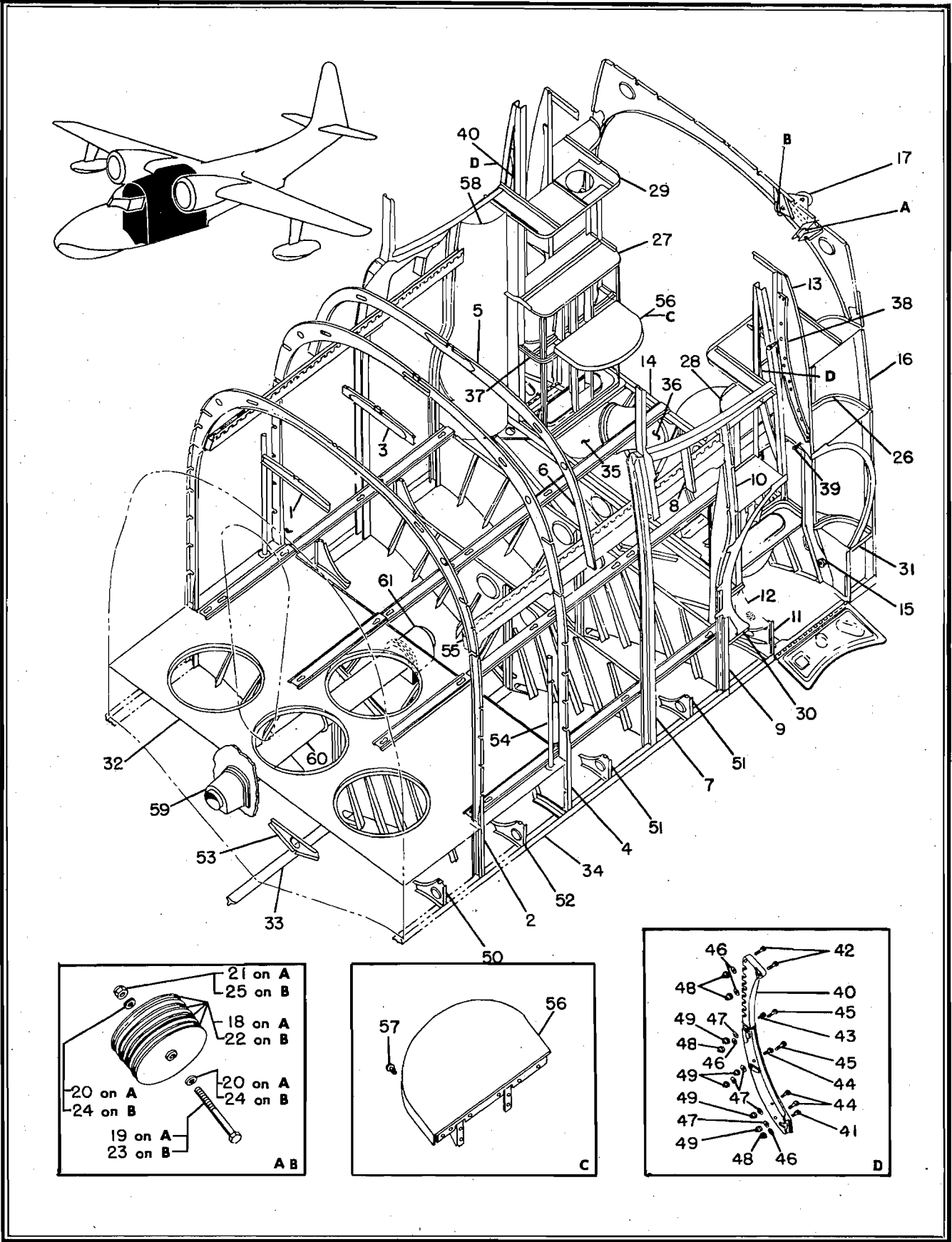


Figure 62—Sta. 140 to 255 1/2 Hull Structure



Figure & Index No.	Part No.	Nomenclature 1 2 3 4 5 6 7	Units Per Assy	Usage Code
HULL (Cont)				
Sta. 140 to 255-1/2 Hull Structure				
62-1	107273-3	. . . Frame Assembly - Sta. 150	1	All
-2	107066	. . . Bulkhead Assembly - Sta. 160	1	All
-3	107273-4	. . . Frame Assembly - Sta. 170	1	All
-4	107067	. . . Frame Assembly - Sta. 180	1	All
-5	107102-1	. . . Frame Assembly - Sta. 188 upper	1	All
-6	107102-2L	. . . Frame Assembly - Sta. 188 lower	1	All
	107102-2R	. . . Frame Assembly - Sta. 188 lower	1	All
-7	107068	. . . Bulkhead Assembly - Sta. 202	1	All
-8	107108L	. . . Frame Assembly - Sta. 213 L.H.	1	All
	107108R	. . . Frame Assembly - Sta. 213 R.H.	1	All
-9	107069	. . . Bulkhead Assembly - Sta. 219 1/2	1	All
-10	107070L	. . . Frame Assembly - Sta. 219 1/2 to 222 11/16 L.H.	1	All
	107070R	. . . Frame Assembly - Sta. 219 1/2 to 222 11/16 R.H.	1	All
-11	107113	. . . Bulkhead Assembly - Sta. 230	1	All
-12	112308	. . . Bushing - Landing gear drag link	4	All
-13	107105L	. . . Bulkhead Assembly - Sta. 240.679 L.H.	1	All
	107105R	. . . Bulkhead Assembly - Sta. 240.679 R.H.	1	All
-14	107074	. . . Bulkhead Assembly - Sta. 250	1	All
-15	112308	. . . Bushing - Landing gear drag link	1	All
-16	107220-1	. . . Frame Assembly - Sta. 255 1/2	4	All
-17	109434	. . . Bracket and Pulley Assembly - Flap control	1	All
-18	AN210-4A	. . . Pulley - Rudder and elevator control cable	4	All
ATTACHING PARTS				
-19	AN4-24A	. . . Bolt	1	All
-20	AN960D416L	. . . Washer	2	All
-21	AN365-428	. . . Nut	1	All
-22	AN210-1A	. . . Pulley - Tab control cable	4	All
ATTACHING PARTS				
-23	AN3-16A	. . . Bolt	1	All
-24	AN960D10L	. . . Washer	2	All
-25	AN365-1032	. . . Nut	1	All
-26	107104L	. . . Bulkhead Assembly - Sta. 222 11/16 to 255 1/2 horizontal L.H.	1	All
-27	107104R	. . . Bulkhead Assembly - Sta. 222 11/16 to 255 1/2 horizontal R.H.	1	All
-28	107103L	. . . Bulkhead Assembly - Sta. 222 11/16 to 255 1/2 L.H.	1	All
-29	107103R	. . . Bulkhead Assembly - Sta. 222 11/16 to 255 1/2 R.H.	1	All
-30	107106L	. . . Bulkhead Assembly - Sta. 219 1/2 to 230 L.H.	1	All
	107106R	. . . Bulkhead Assembly - Sta. 219 1/2 to 230 R.H.	1	All
-31	107107L	. . . Bulkhead Assembly - Sta. 250 to 255 1/2 L.H.	1	All
	107107R	. . . Bulkhead Assembly - Sta. 250 to 255 1/2 R.H.	1	All
-32	107111	. . . Floor Assembly - Sta. 140 to 180 cabin	1	All
-33	107131	. . . Keel - Sta. 93 to 250	1	All
-34	107126-2	. . . Chine - Sta. 170 to 250	2	All
-35	107353-1R	. . . Duct Assembly - Sta. 250 vent upper R.H.	1	All
	107353-1L	. . . Duct Assembly - Sta. 250 vent upper L.H.	1	All
-36	107353-2R	. . . Duct Assembly - Sta. 250 vent lower R.H.	1	All
	107353-2L	. . . Duct Assembly - Sta. 250 vent lower L.H.	1	All
-37	107026R	. . . Support Assembly - Landing gear retracting R.H.	1	All
	107026L	. . . Support Assembly - Landing gear retracting L.H.	1	All
-38	107410-1L	. . . Guide Assembly - Sta. 240.679 landing gear aft L.H. (iap)	1	All
	107410-1R	. . . Guide Assembly - Sta. 240.679 landing gear aft R.H. (iap)	1	All
ATTACHING PARTS				
-39	AN23-10A	. . . Bolt	12	All

Section II
Group Assembly Parts List

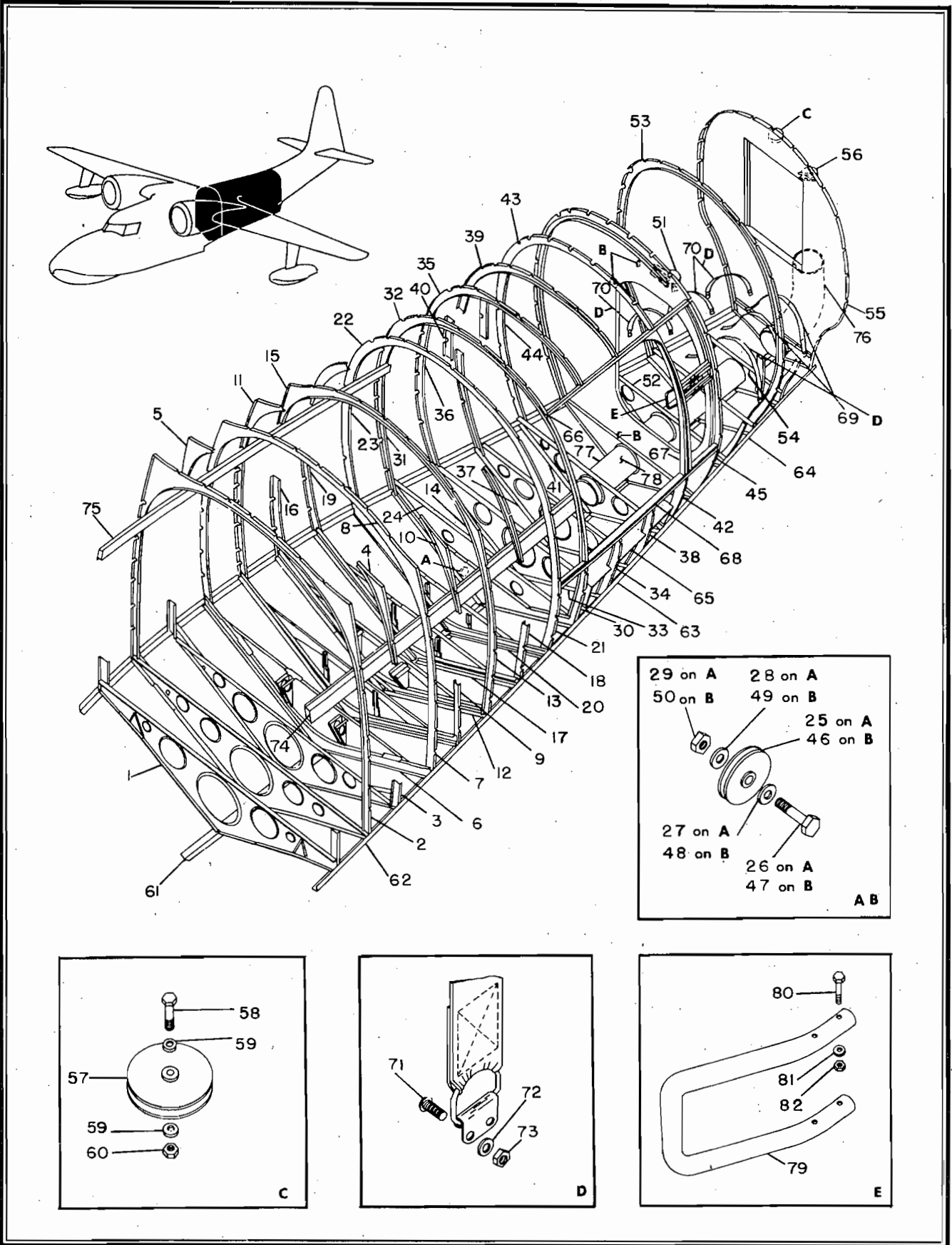


Figure 63—Sta. 255 1/2 to 428 Hull Structure



Section II
Group Assembly Parts List

Figure & Index No.	Part No.	Nomenclature 1 2 3 4 5 6 7	Units Per Assy	Usage Code
-----------------------	----------	-------------------------------	-------------------	---------------

HULL (Cont)

Sta. 140 to 255 1/2 Hull Structure (Cont)

62-40	107410-2L	. . . Guide Assembly - Sta. 233.679 landing gear forward (iap)	1	All
	107410-2R	. . . Guide Assembly - Sta. 233.679 landing gear forward (iap)	1	All
ATTACHING PARTS				
-41	AN4-6A	. . . Bolt	1	All
-42	AN4-15A	. . . Bolt	2	All
-43	AN4-8A	. . . Bolt	1	All
-44	AN23-14A	. . . Bolt	3	All
-45	AN23-20A	. . . Bolt	2	All
-46	AN960A416	. . . Washer	4	All
-47	AN960A10L	. . . Washer	5	All
-48	AN365-428	. . . Nut	4	All
-49	AN364-1032	. . . Nut	5	All
-50	107334-1L	. . Support - Sta. 150 chine L.H.	1	All
	107334-1R	. . Support - Sta. 150 chine R.H.	1	All
-51	107334-2L	. . Support - Sta. 191 and 211 chine L.H.	2	All
	107334-2R	. . Support - Sta. 191 and 211 chine R.H.	2	All
-52	107334-4L	. . Support - Sta. 170 chine L.H.	1	All
	107334-4R	. . Support - Sta. 170 chine R.H.	1	All
-53	107334-3	. . Support - Sta. 150, 170 and 191 keel	3	All
-54	107378-1	. . Tube Assembly - Sta. 160 vent	1	All
-55	110538L	. . Cornice Assembly - Sta. 160 to 222 L.H.	1	All
	110538R	. . Cornice Assembly - Sta. 160 to 222 R.H.	1	All
-56	110512R	. . Table - Lounge end R.H.	1	All
	110512L	. . Table - Lounge end L.H.	1	All
ATTACHING PARTS				
-57	AN520-10-5	. . . Screw	10	All
-58	107355L	. . Column Assembly - Forward corner center R.H.	1	All
	107355R	. . Column Assembly - Forward corner center L.H.	1	All
-59	111153	. . Box Assembly - Sta. 140 watertight door	1	All
-60	111125	. . Duct Assembly - Sta. 140 to 180 heater	1	All
-61	111154	. . Box Assembly - Sta. 180 watertight door	1	All

Sta. 255 1/2 to 428 Hull Structure

63-1	107076	. . . Frame Assembly - Sta. 260	1	All
-2	107077	. . . Frame Assembly - Sta. 270	1	All
-3	107078	. . . Frame Assembly - Sta. 280	1	All
-4	107361L	. . . Frame - Sta. 280 upper	1	All
-5	107361R	. . . Frame - Sta. 280 upper	1	All
-6	107079	. . . Frame Assembly - Sta. 290	1	All
-7	107213-7L	. . . Frame - Sta. 290 left side	1	All
	107213-7R	. . . Frame - Sta. 290 right side	1	All
-8	107213-12	. . . Frame - Sta. 290 upper	1	All
-9	107080	. . . Frame Assembly - Sta. 300	1	All
-10	107368-2	. . . Frame - Sta. 300 left upper	1	All
-11	107368-1	. . . Frame - Sta. 300 right upper	1	All

Section II
Group Assembly Parts List



Figure & Index No.	Part No.	Nomenclature 1 2 3 4 5 6 7	Units Per Assy	Usage Code
HULL (Cont)				
Sta. 255 1/2 to 428 Hull Structure (Cont)				
63-12	107081	. . . Frame Assembly - Sta. 310	1	All
-13	107214-17	. . . Frame Assembly - Sta. 310 left side	1	All
-14	107214-9	. . . Frame - Sta. 310 top	1	All
-15	107214-16	. . . Frame Assembly - Sta. 310 right side upper	1	All
-16	107214-5	. . . Frame - Sta. 310 right side lower	1	All
-17	107082	. . . Frame Assembly - Sta. 320	1	All
-18	107362-2	. . . Frame - Sta. 320 left upper	1	All
-19	107362-1	. . . Frame - Sta. 320 right upper	1	All
-20	107083	. . . Frame Assembly - Sta. 330	1	All
-21	107213-1	. . . Frame - Sta. 330 left side	1	All
-22	107213-9	. . . Frame - Sta. 330 top	1	All
-23	107213-15	. . . Frame - Sta. 330 right side	1	All
-24	107084	. . . Bulkhead Assembly - Sta. 340	1	All
-25	AN210-1A	. . . Pulley - Trim tab servo control cable	1	z
ATTACHING PARTS				
-26	AN3-6A	. . . Bolt	1	z
-27	AN960D10	. . . Washer	1	z
-28	AN960A10L	. . . Washer	1	z
-29	AN365-1032	. . . Nut	1	z
-30	107214-18	. . . Frame Assembly - Sta. 340 left side	1	All
-31	107214-8	. . . Frame Assembly - Sta. 340 right side	1	All
-32	107214-12	. . . Frame - Sta. 340 top	1	All
-33	107085	. . . Frame Assembly - Sta. 351	1	All
-34	107213-5	. . . Frame - Sta. 351 left side	1	All
-35	107213-4	. . . Frame - Sta. 351 top	1	All
-36	107213-6	. . . Frame - Sta. 351 right side	1	All
-37	107086	. . . Frame Assembly - Sta. 362	1	All
-38	107214-4	. . . Frame - Sta. 362 left side	1	All
-39	107214-3	. . . Frame - Sta. 362 top	1	All
-40	107214-6	. . . Frame - Sta. 362 right side	1	All
-41	107087	. . . Bulkhead Assembly - Sta. 373	1	All
-42	107213-3	. . . Frame - Sta. 373 left side	1	All
-43	107213-10	. . . Frame - Sta. 373 top	1	All
-44	107213-8	. . . Frame - Sta. 373 right side	1	All
-45	107088	. . . Bulkhead Assembly - Sta. 384	1	All
-46	AN210-1A	. . . Pulley - Trim tab servo control cable	3	z
ATTACHING PARTS				
-47	AN3-6A	. . . Bolt	3	z
-48	AN960A10L	. . . Washer	3	z
-49	AN960D10	. . . Washer	3	z
-50	AN365-1032	. . . Nut	3	z
-51	109394	. . . Bracket and Pulley Assembly - Elevator and rudder control cables	1	All
-52	107089	. . . Frame Assembly - Sta. 395	1	All
-53	107095	. . . Frame Assembly - Sta. 406	1	All
-54	107091	. . . Frame Assembly - Sta. 417	1	All
-55	107092	. . . Bulkhead Assembly - Sta. 428	1	All
-56	109398	. . . Bracket and Pulley Assembly - Rudder control cables	1	All
-57	AN210-4A	. . . Pulley - Elevator control cable	1	All
ATTACHING PARTS				
-58	AN4-10A	. . . Bolt	1	All
-59	AN960D416L	. . . Washer	2	All
-60	AN365-428	. . . Nut	1	All
-61	107132-5	. . . Keel - Sta. 250 3/4 to 428	1	All



Figure & Index No.	Part No.	Nomenclature							Units Per Assy	Usage Code	
		1	2	3	4	5	6	7			
HULL (Cont)											
Sta. 255 1/2 to 428 Hull Structure (Cont)											
63-62	107128-1L	. . .	Chine	-	Sta.	250	to	315	1	All	
	107128-1R	. . .	Chine	-	Sta.	250	to	315	1	All	
-63	107128-2L	. . .	Chine	-	Sta.	315	to	356 1/2	1	All	
	107128-2R	. . .	Chine	-	Sta.	315	to	356 1/2	1	All	
-64	107128-3L	. . .	Chine	-	Sta.	356 1/2	to	428	1	All	
	107128-3R	. . .	Chine	-	Sta.	356 1/2	to	428	1	All	
-65	107039	. . .	Step Installation	-	Main	entrance			1	All	
-66	107369-1	. . .	Frame	-	Sta.	340	main	door	1	All	
-67	107369-2	. . .	Frame	-	Sta.	373	main	door	1	All	
-68	107369-3	. . .	Sill	-	Sta.	340	to	373 main door	1	All	
-69	107561-1	. . .	Strap Assembly	-	Baggage (iap)	(See index nos. 71, 72 & 73 for attaching parts)				3	All
-70	107561-2	. . .	Strap Assembly	-	Baggage (iap)					3	All
ATTACHING PARTS											
-71	AN515-8-7	. . .	Screw							2	All
-72	AN960-8	. . .	Washer							2	All
-73	AN365-832	. . .	Nut							2	All
-74	110536L	. . .	Cornice Assembly	-	Rear	cabin	L.H.		1	All	
-75	110536R	. . .	Cornice Assembly	-	Rear	cabin	R.H.		1	All	
-76	111282	. . .	Duct Assembly	-	Sta.	428	heater	elbow	1	All	
-77	111281	. . .	Duct Assembly	-	Sta.	384	to	428 heater	1	All	
-78	110501	. . .	Damper Assembly	-	Sta.	381				1	All
-79	110350	. . .	Handle Assembly	-	Sta.	373	assist	(iap)	1	All	
ATTACHING PARTS											
-80	AN3-12A	. . .	Bolt							4	All
-81	AN960A10L	. . .	Washer							4	All
-82	AN365-1032	. . .	Nut							4	All

Section II
Group Assembly Parts List

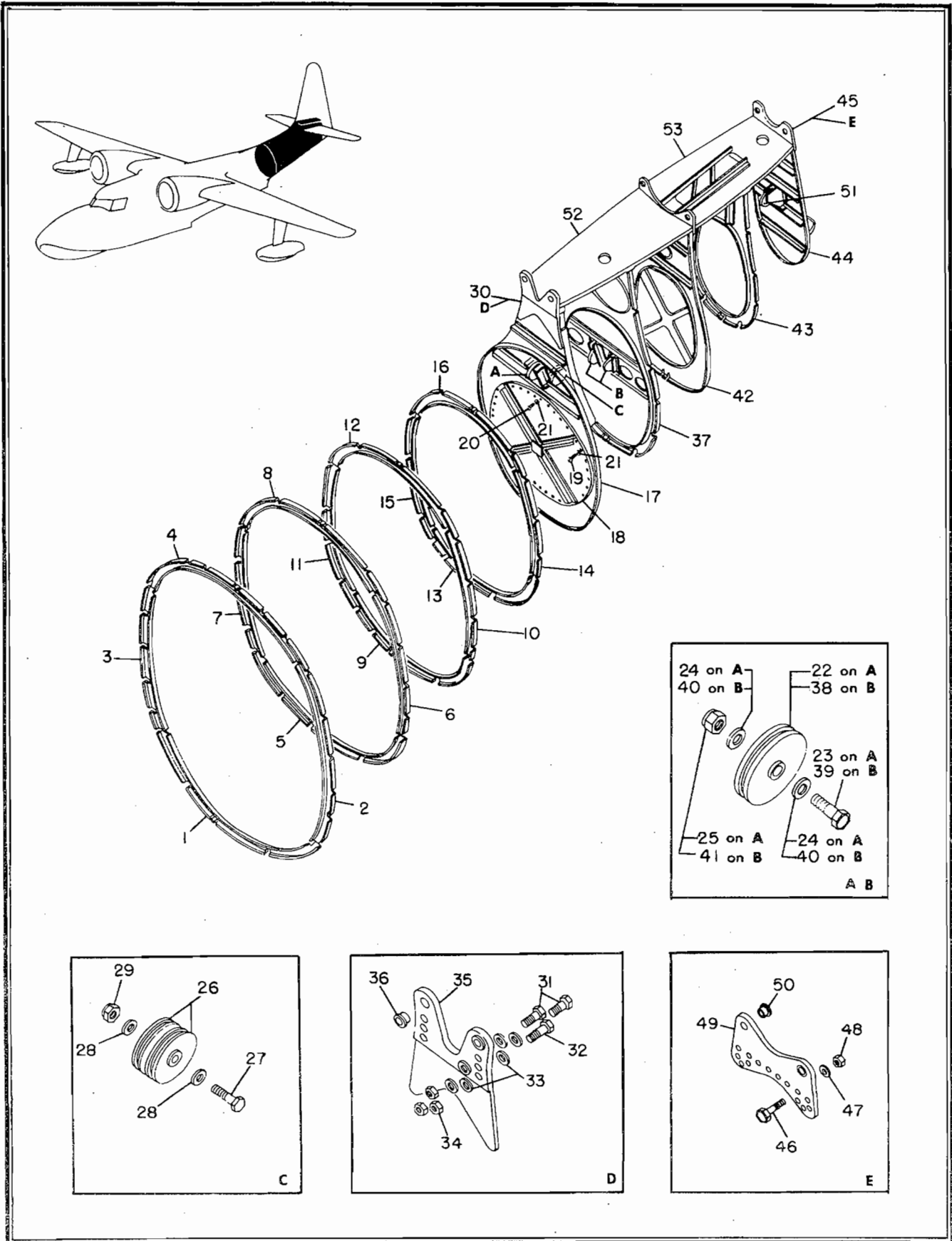


Figure 64—Sta. 428 to 560 Hull Structure



Section II
Group Assembly Parts List

Figure & Index No.	Part No.	Nomenclature 1 2 3 4 5 6 7	Units Per Assy	Usage Code
HULL (Cont)				
Sta. 428 to 560 Hull Structure				
64-1	107093-11	. . Channel Assembly - Sta. 446.5 lower	1	All
-2	107093-10	. . Channel Assembly - Sta. 446.5 left side	1	All
-3	107093-11	. . Channel Assembly - Sta. 446.5 right side	1	All
-4	107093-9	. . Channel Assembly - Sta. 446.5 upper	1	All
-5	107094-11	. . Channel Assembly - Sta. 464 lower	1	All
-6	107094-10L	. . Channel Assembly - Sta. 464 left side	1	All
-7	107094-10R	. . Channel Assembly - Sta. 464 right side	1	All
-8	107094-9	. . Channel Assembly - Sta. 464 upper	1	All
-9	107094-14	. . Channel Assembly - Sta. 480 lower	1	All
-10	107094-13L	. . Channel Assembly - Sta. 480 left side	1	All
-11	107094-13R	. . Channel Assembly - Sta. 480 right side	1	All
-12	107094-12	. . Channel Assembly - Sta. 480 upper	1	All
-13	107093-14	. . Channel Assembly - Sta. 495 lower	1	All
-14	107093-13L	. . Channel Assembly - Sta. 495 left side	1	All
-15	107093-13R	. . Channel Assembly - Sta. 495 right side	1	All
-16	107093-12	. . Channel Assembly - Sta. 495 upper	1	All
-17	107097	. . Bulkhead Assembly - Sta. 509	1	All
-18	107097-2	. . . Door Assembly (iap)	1	All
ATTACHING PARTS				
-19	AN520-10-10 Screw	31	All
-20	AN520-10-12 Screw	1	All
-21	AN960D10 Washer	32	All
-22	AN210-4A	. . . Pulley	1	All
ATTACHING PARTS				
-23	AN4-10A	. . . Bolt	1	All
-24	AN960D416L	. . . Washer	2	All
-25	AN365-428	. . . Nut	1	All
-26	AN210-2A	. . . Pulley	2	All
ATTACHING PARTS				
-27	AN3-13A	. . . Bolt	1	All
-28	AN960D10L	. . . Washer	2	All
-29	AN365-1032	. . . Nut	1	All
-30	112306	. . . Fitting Assembly - Stabilizer attachment (iap)	1	All
ATTACHING PARTS				
-31	AN6-12 Bolt	4	All
-32	AN6-14 Bolt	2	All
-33	AN960D616 Washer	12	All
-34	AN365-624 Nut	6	All
-35	112306-1 Fitting	1	All
-36	G27-12-16 Bushing	2	All
-37	107098	. . Frame Assembly - Sta. 523	1	All
-38	AN210-4A	. . . Pulley	2	All
ATTACHING PARTS				
-39	AN4-10A	. . . Bolt	2	All
-40	AN960D416L	. . . Washer	4	All
-41	AN365-428	. . . Nut	2	All
-42	107099	. . Bulkhead Assembly - Sta. 536	1	All
-43	107100	. . Frame Assembly - Sta. 548	1	All
-44	107101	. . Bulkhead Assembly - Fin post sloping	1	All
-45	112311	. . . Fitting Assembly - Fin attachment (iap)	1	All
ATTACHING PARTS				
-46	AN4-11A Bolt	14	All

Section II
Group Assembly Parts List

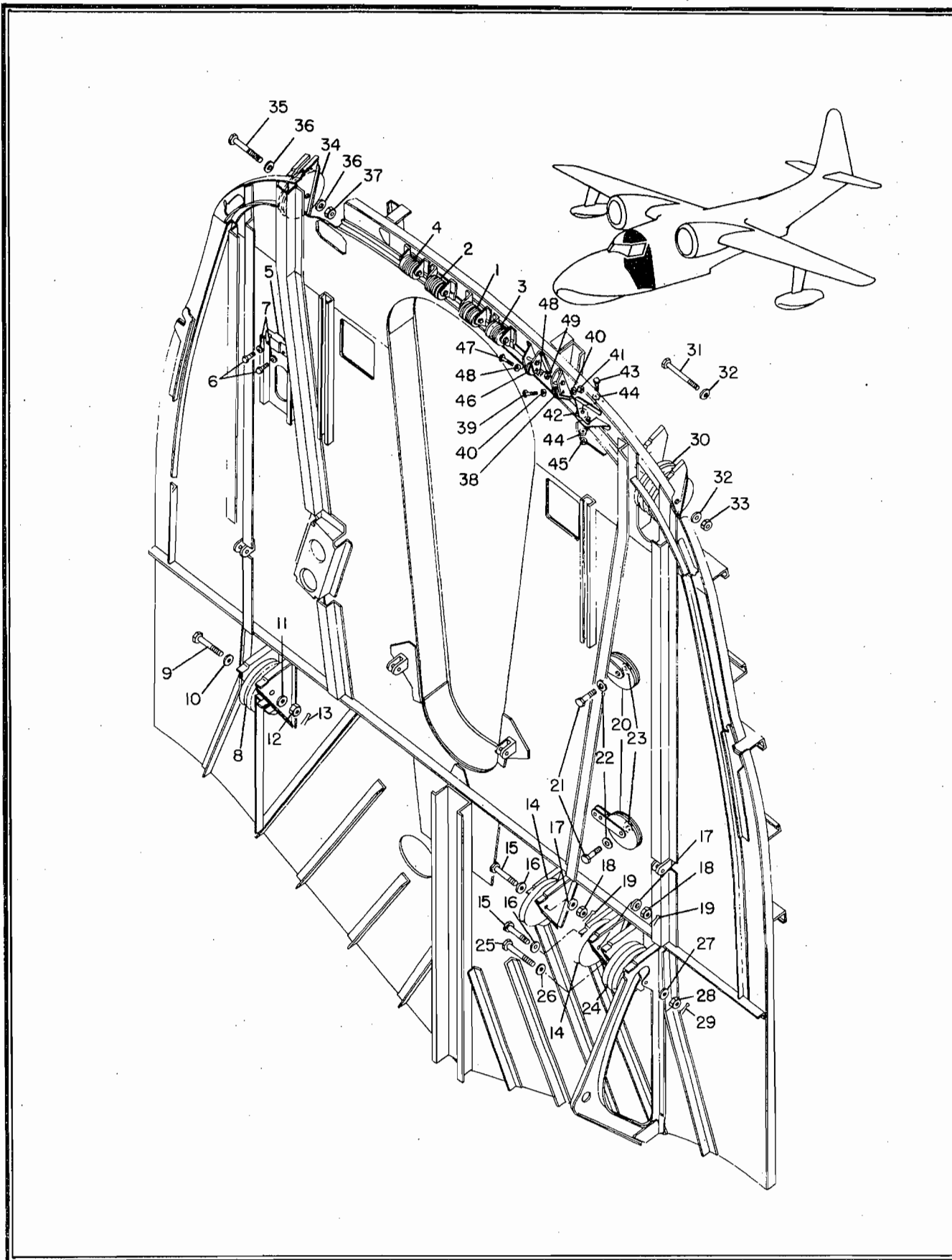


Figure 65—Sta. 140 Bulkhead Assembly



Figure & Index No.	Part No.	Nomenclature	1 2 3 4 5 6 7	Units Per Assy	Usage Code
-----------------------	----------	--------------	---------------	-------------------	---------------

HULL (Cont)

Sta. 428 to 560 Hull Structure (Cont)

64-47	AN960A416L	Washer	14	All
-48	AN365-428	Nut	14	All
-49	112311-1	Fitting	1	All
-50	G27-10-12	Bushing	2	All
-51	109431	. .	Bracket and Pulley Assembly - Rudder tab control cables	1	All
-52	107114-2	. .	Bulkhead - Sta. 110 3/4 - Horizontal tail	1	All
-53	107114-3	. .	Bulkhead Assembly - Sta. 110 3/4 - Horizontal tail	1	All

Sta. 140 Bulkhead Assembly

65-	107065	. .	Bulkhead Assembly - Sta. 140 (See Fig. 60-51)	Ref	All
-1	107224-1L	Bracket and Pulley Assembly - Engine controls L.H.	1	All
-2	107224-1R	Bracket and Pulley Assembly - Engine controls R.H.	1	All
-3	107224-2L	Bracket and Pulley Assembly - Engine controls L.H.	1	All
-4	107224-2R	Bracket and Pulley Assembly - Engine controls R.H.	1	All
-5	112738	Fitting - Aileron control cable stop (iap)	1	All
ATTACHING PARTS					
-6	AN4-11A	Bolt	2	All
-7	AN960D416L	Washer	2	All
-8	AN210-5A	Pulley - Aileron control cable	2	All
ATTACHING PARTS					
-9	AN26-25	Bolt	1	All
-10	AN960D616L	Washer	1	All
-11	AN960D616	Washer	1	All
-12	AN320-6	Nut	1	All
-13	AN380C3-4	Cotter	1	All
-14	AN210-5A	Pulley - Rudder control cable	2	All
ATTACHING PARTS					
-15	AN26-18	Bolt	2	All
-16	AN960D616L	Washer	2	All
-17	AN960D616	Washer	2	All
-18	AN320-6	Nut	2	All
-19	AN380C3-4	Cotter	2	All
-20	AN210-4A	Pulley - Rudder control cable idler	2	All
ATTACHING PARTS					
-21	AN4-12A	Bolt	2	All
-22	AN960D416L	Washer	2	All
-23	AN960D416	Washer	2	All
-24	AN210-5A	Pulley - Elevator control cable	2	All
ATTACHING PARTS					
-25	AN6-22	Bolt	1	All
-26	AN960D616L	Washer	1	All
-27	AN960D616	Washer	1	All
-28	AN310-6	Nut	1	All

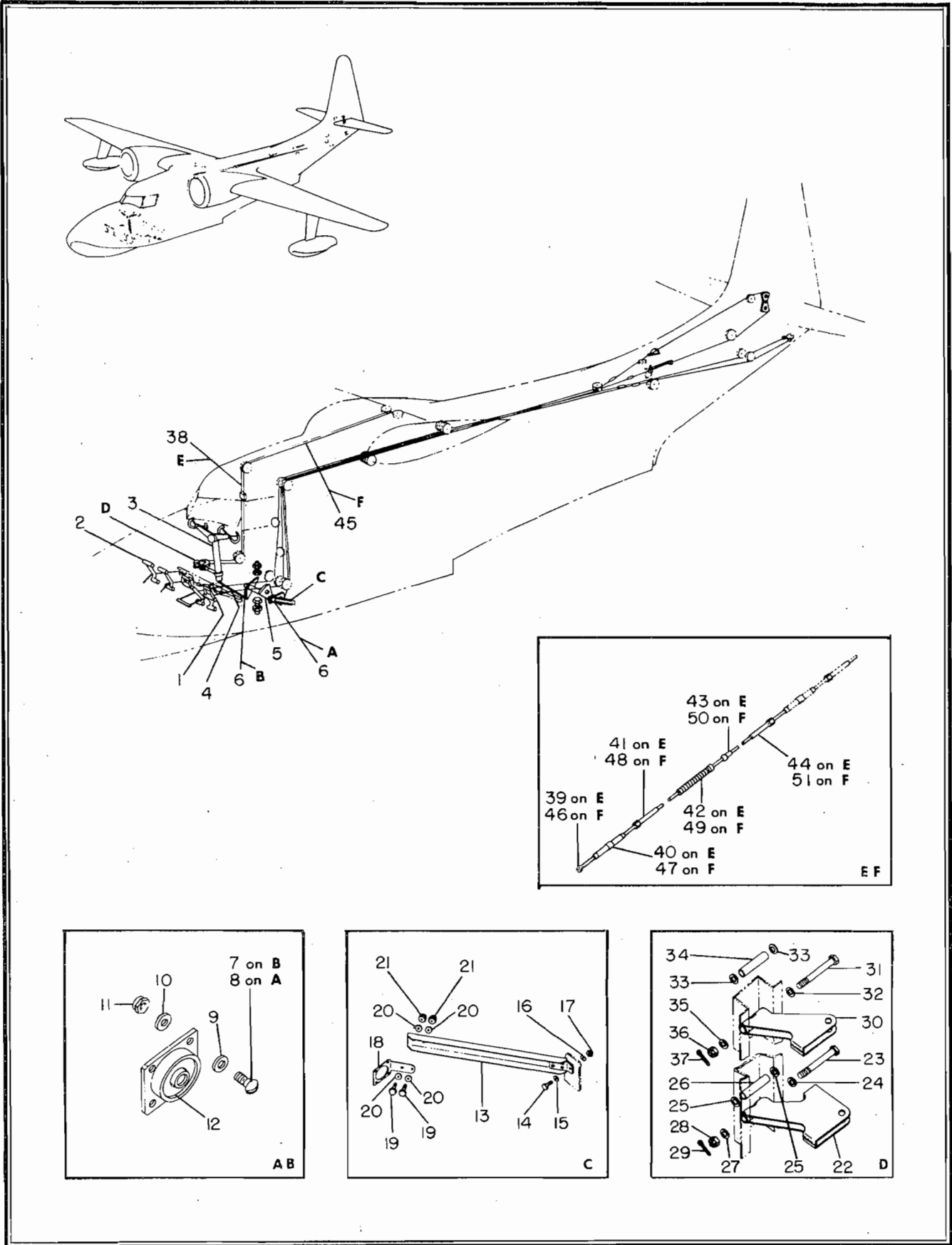


Figure 66—Surface Controls Installation (See Figs. 67, 68, 69)



Figure & Index No.	Part No.	Nomenclature							Units Per Assy	Usage Code
		1	2	3	4	5	6	7		
HULL (Cont)										
Sta. 140 Bulkhead Assembly (Cont)										
65-29	AN380C3-4	. . .	Cotter						1	All
-30	AN210-5A	. . .	Pulley - Elevator and rudder control cable						4	All
ATTACHING PARTS										
-31	AN6-31	. . .	Bolt						1	All
-32	AN960D616L	. . .	Washer						2	All
-33	AN365-1032	. . .	Nut						1	All
-34	AN210-5A	. . .	Pulley - Aileron control cable						2	All
ATTACHING PARTS										
-35	AN6-20	. . .	Bolt						1	All
-36	AN960D616	. . .	Washer						2	All
-37	AN365-624	. . .	Nut						1	All
-38	AN210-1A	. . .	Pulley - Elevator tab control cable						2	All
ATTACHING PARTS										
-39	AN3-10A	. . .	Bolt						1	All
-40	AN960D10L	. . .	Washer						2	All
-41	AN365-1032	. . .	Nut						1	All
-42	AN210-1A	. . .	Pulley - Rudder tab control cable						2	All
ATTACHING PARTS										
-43	AN3-10A	. . .	Bolt						1	All
-44	AN960D10L	. . .	Washer						2	All
-45	AN365-1032	. . .	Nut						1	All
-46	AN210-1A	. . .	Pulley - Flap control cable						2	All
ATTACHING PARTS										
-47	AN3-10A	. . .	Bolt						2	All
-48	AN960D10L	. . .	Washer						2	All
-49	AN365-1032	. . .	Nut						2	All
Surface Controls Installation										
66-	No Number	. . .	Controls Installation - Surface (Reference Grumman drawing nos. 109310 and 109307)						1	All
-1	109308	. . .	Pedal Installation - Pilot rudder (See Fig. 70)						1	All
-2	109309	. . .	Pedal Installation - Co-pilot rudder (See Fig. 71)						1	cl
	109250	. . .	Pedal Installation - Co-pilot rudder and brake (See Fig. 72)						1	ab
-3	109316	. . .	Column Assembly - Surface controls (See Fig. 73)						1	All
-4	109412	. . .	Tube Assembly - Elevator control						1	All
-5	109410	. . .	Tube Assembly - Elevator torque (See Fig. 76)						1	All
-6	112724	. . .	Collar Assembly (iap)						2	All
ATTACHING PARTS										
-7	AN23-8A	. . .	Bolt						4	All
-8	AN23-10A	. . .	Bolt						4	All
-9	AN960D10L	. . .	Washer						8	All
-10	AN960D10	. . .	Washer						8	All
-11	AN364-1032	. . .	Nut						8	All
-12	AN200KS5	. . .	Bearing						2	All

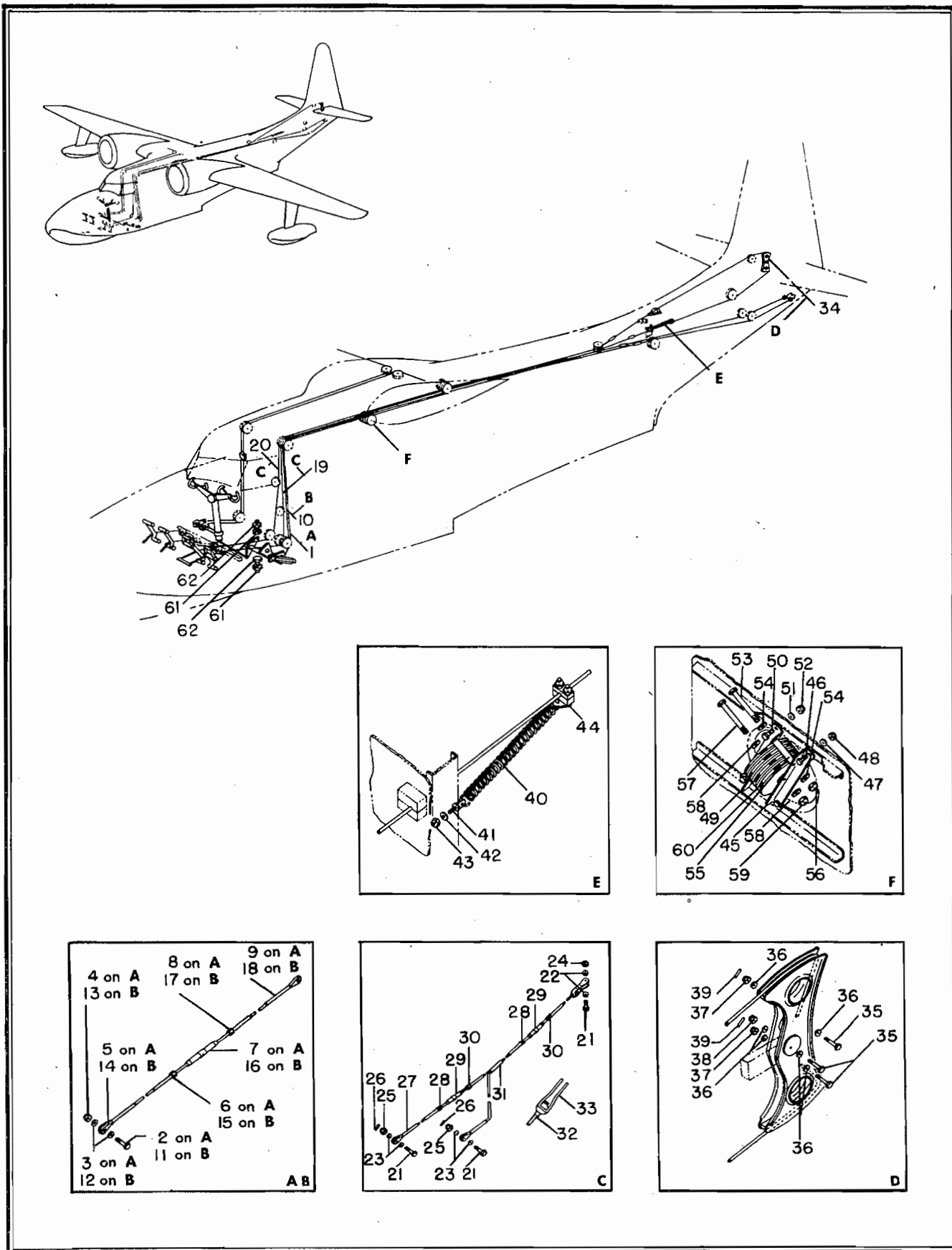


Figure 67—Surface Controls Installation (See Figs. 66, 68, 69)



Section II
Group Assembly Parts List

Figure & Index No.	Part No.	Nomenclature							Units Per Assy	Usage Code
		1	2	3	4	5	6	7		
HULL (Cont)										
Surface Controls Installation (Cont)										
66-13	109413	. . .							1	All
		ATTACHING PARTS								
-14	AN3-5A	. . .							1	All
-15	AN960D10L	. . .							1	All
-16	AN960D10	. . .							1	All
-17	AN365-1032	. . .							1	All
-18	109427	. . .							1	All
		ATTACHING PARTS								
-19	AN3-5A	. . .							2	All
-20	AN960D10	. . .							4	All
-21	AN365-1032	. . .							2	All
-22	109455-1	. . .							1	All
		ATTACHING PARTS								
-23	AN6-25	. . .							1	All
-24	AN960D616L	. . .							1	All
-25	AN960D816L	. . .							2	All
-26	G5-6-160	. . .							1	All
-27	AN960D616	. . .							1	All
-28	AN310-6	. . .							1	All
-29	AN380C3-4	. . .							1	All
-30	109455-2	. . .							1	All
		ATTACHING PARTS								
-31	AN6-25	. . .							1	All
-32	AN960D616L	. . .							1	All
-33	AN960D816L	. . .							2	All
-34	G5-6-160	. . .							1	All
-35	AN960D616	. . .							1	All
-36	AN310-6	. . .							1	All
-37	AN380C3-4	. . .							1	All
-38	No Number	. . .							1	All
-39	EY35RH	. . .							1	All
-40	AN155-32S	. . .							1	All
-41	AN669S5LH	. . .							1	All
-42	112739	. . .							1	All
-43	RA2490-5	. . .							1	All
-44	AN669S5RH	. . .							1	All
-45	No Number	. . .							1	All
-46	EY35RH	. . .							1	All
-47	AN155-32S	. . .							1	All
-48	AN669S5LH	. . .							1	All
-49	112739	. . .							1	All
-50	RA2490-5	. . .							1	All
-51	AN669S5RH	. . .							1	All

Section II
Group Assembly Parts List



Figure & Index No.	Part No.	Nomenclature 1 2 3 4 5 6 7	Units Per Assy	Usage Code
HULL (Cont)				
Surface Controls Installation (Cont)				
67-1	109408-1	. . Cable Assembly - Elevator up (iap)	1	All
ATTACHING PARTS				
-2	AN4-7	. . . Bolt	1	All
-3	AN960D416L	. . . Washer	2	All
-4	AN365-428	. . . Nut	1	All
-5	AN667-5	. . . Terminal	1	All
-6	AN669S5LH	. . . Terminal	1	All
-7	AN155-32S	. . . Barrel	1	All
-8	AN669S5RH	. . . Terminal	1	All
-9	AN668-5	. . . Terminal	1	All
-10	109408-2	. . Cable Assembly - Elevator down (iap)	1	All
ATTACHING PARTS				
-11	AN4-7	. . . Bolt	1	All
-12	AN960D416L	. . . Washer	2	All
-13	AN365-428	. . . Nut	1	All
-14	AN667-5	. . . Terminal	1	All
-15	AN669S5LH	. . . Terminal	1	All
-16	AN155-32S	. . . Barrel	1	All
-17	AN669S5RH	. . . Terminal	1	All
-18	AN668-5	. . . Terminal	1	All
-19	109407-1	. . Cable Assembly - Left rudder (iap)	1	All
-20	109407-2	. . Cable Assembly - Right rudder (iap)	1	All
ATTACHING PARTS				
-21	AN5-10	. . . Bolt	3	All
-22	AN960D516L	. . . Washer	2	All
-23	AN960D516	. . . Washer	4	All
-24	AN365-524	. . . Nut	1	All
-25	AN310-5	. . . Nut	2	All
-26	AN380C2-3	. . . Cotter	2	All
-27	AN667-6	. . . Terminal	2	All
-28	AN669S6LH	. . . Terminal	2	All
-29	AN155-46S	. . . Barrel	2	All
-30	AN669S6RH	. . . Terminal	2	All
-31	RA2610-6	. . . Fitting - Swaged splice (American Chain & Cable Co., Inc.)	1	All
-32	RA2490-6	. . . Terminal - Ball (American Chain & Cable Co., Inc.)	1	All
-33	RA2500-6	. . . Fitting - Fork end (American Chain & Cable Co., Inc.)	1	All
-34	106716-1	. . Sector Assembly - Elevator horn (iap)	1	All
ATTACHING PARTS				
-35	AN4-12	. . . Bolt	3	All
-36	AN960D416	. . . Washer	6	All
-37	AN310-4	. . . Nut	2	All
-38	AN365-428	. . . Nut	1	All
-39	AN380C2-2	. . . Cotter	2	All
-40	G102-121	. . Spring - Elevator bungee	1	All
-41	AN42-4A	. . Bolt - Eye	1	All
-42	AN960D10L	. . Washer	1	All
-43	AN365-1032	. . Nut	1	All
-44	109489	. . Clamp Assembly - Elevator bungee	1	All



Section II
Group Assembly Parts List

Figure & Index No.	Part No.	Nomenclature							Units Per Assy	Usage Code
		1	2	3	4	5	6	7		
HULL (Cont)										
Surface Controls Installation (Cont)										
67-45	109391-1	1	All
		ATTACHING PARTS								
-46	AN3-5A	2	All
-47	AN960D10L	2	All
-48	AN365-1032	2	All
-49	109391-2	1	All
		ATTACHING PARTS								
-50	AN3-5A	2	All
-51	AN960D10L	2	All
-52	AN365-1032	2	All
-53	AN3-24A	1	All
-54	AN960D10L	2	All
-55	G5-D3-160	1	All
-56	AN365-1032	1	All
-57	AN4-24A	1	All
-58	AN960D416L	2	All
-59	AN365-428	1	All
-60	AN210-4A	4	All
-61	G19-5-22	2	All
-62	AN316-5R	2	All

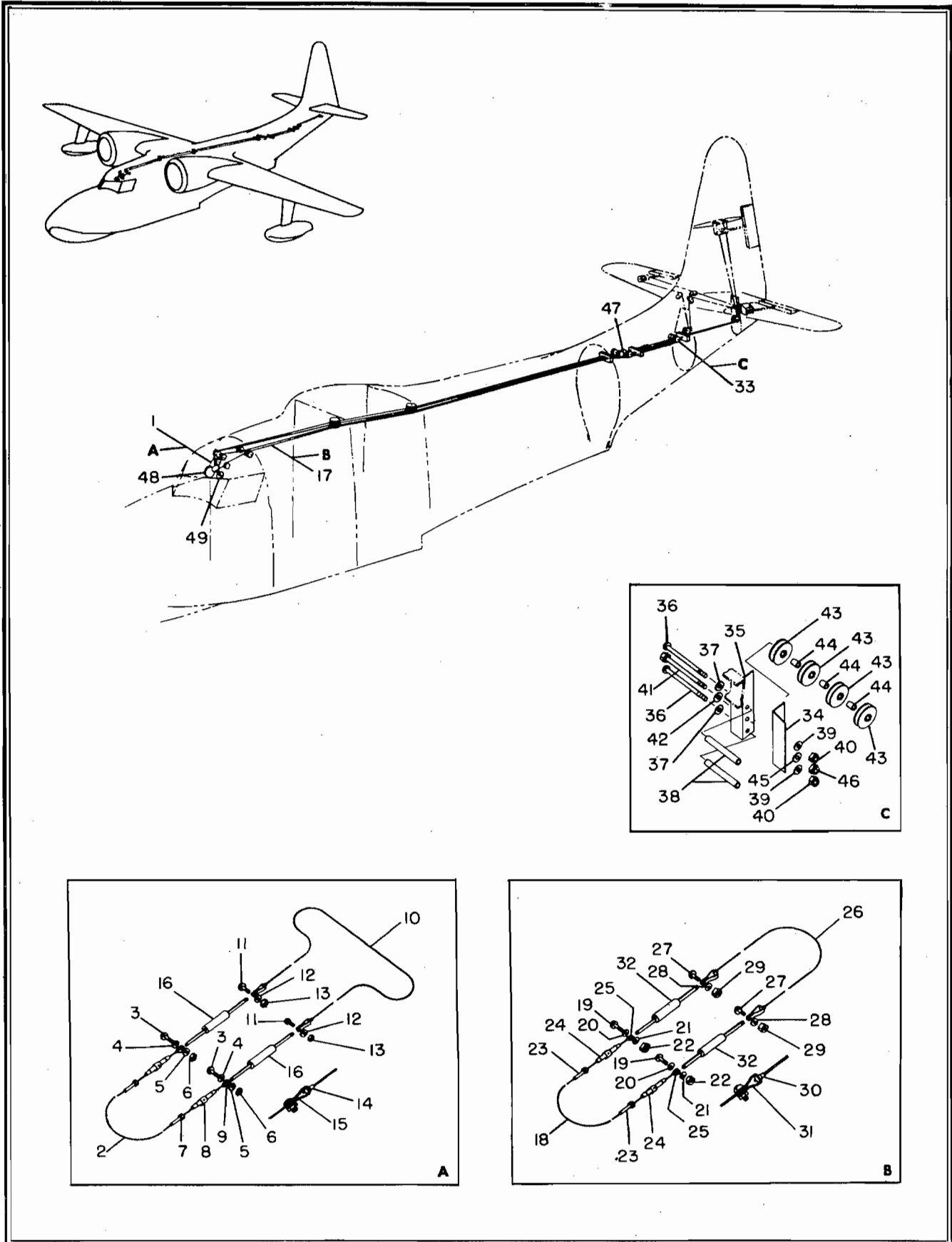


Figure 68—Surface Controls Installation (See Figs. 66, 67, 69)



Section II
Group Assembly Parts List

Figure & Index No.	Part No.	Nomenclature 1 2 3 4 5 6 7	Units Per Assy	Usage Code
HULL (Cont)				
Surface Controls Installation (Cont)				
68-1	109464-5	. . . Cable Assembly - Elevator tab	1	y
	109464-6	. . . Cable Assembly - Elevator tab	1	z
-2	109464-1	. . . Cable Assembly - Forward (iap)	1	y
	109464-7	. . . Cable Assembly - Forward (iap)	1	z
ATTACHING PARTS				
-3	AN520-10-8 Screw	2	All
-4	AN960-10L Washer	2	All
-5	AN960-10 Washer	2	All
-6	AN364-1032 Nut	2	All
-7	AN669S2LH Terminal	2	All
-8	AN155-8S Barrel	2	All
-9	AN161-8RS Terminal	2	All
-10	109464-2	. . . Cable Assembly - Rear (iap)	1	All
ATTACHING PARTS				
-11	AN520-10-7 Screw	2	All
-12	AN960-10L Washer	2	All
-13	AN364-1032 Nut	2	All
-14	RA2490-2 Ball - Terminal (American Chain & Cable Co.)	2	All
-15	RA2500-2 Fitting (American Chain & Cable Co.)	2	All
-16	109429	. . . Tensioner Assembly	2	All
-17	109463	. . Cable Assembly - Rudder tab	1	All
-18	109463-1	. . . Cable Assembly - Forward (iap)	1	All
ATTACHING PARTS				
-19	AN520-10-8 Screw	2	All
-20	AN960-10L Washer	2	All
-21	AN960-10 Washer	2	All
-22	AN364-1032 Nut	2	All
-23	AN669S2LH Terminal	2	All
-24	AN1558S Barrel	2	All
-25	AN161-8RS Terminal	2	All
-26	109463-2	. . . Cable Assembly - Rear	1	All
ATTACHING PARTS				
-27	AN520-10-7 Screw	2	All
-28	AN960-10L Washer	2	All
-29	AN364-1032 Nut	2	All
-30	RA2490-2 Ball - Terminal (American Chain & Cable Co.)	2	All
-31	RA2500-2 Fitting (American Chain & Cable Co.)	2	All
-32	109429	. . . Tensioner Assembly	2	All
-33	109465	. . Bracket Assembly - Sta. 495 - Tab control pulley	1	All
-34	109465-1	. . . Bracket	1	All
-35	109465-2	. . . Bracket	1	All
-36	AN520-10-40 Screw	2	All
-37	AN960D10L Washer	2	All
-38	G5-D3-163 Spacer	2	All
-39	AN960D10 Washer	2	All
-40	AN365-1032 Nut	2	All
-41	AN3-24 Bolt	1	All
-42	AN960D10L Washer	1	All
-43	AN210-1A Pulley	4	All

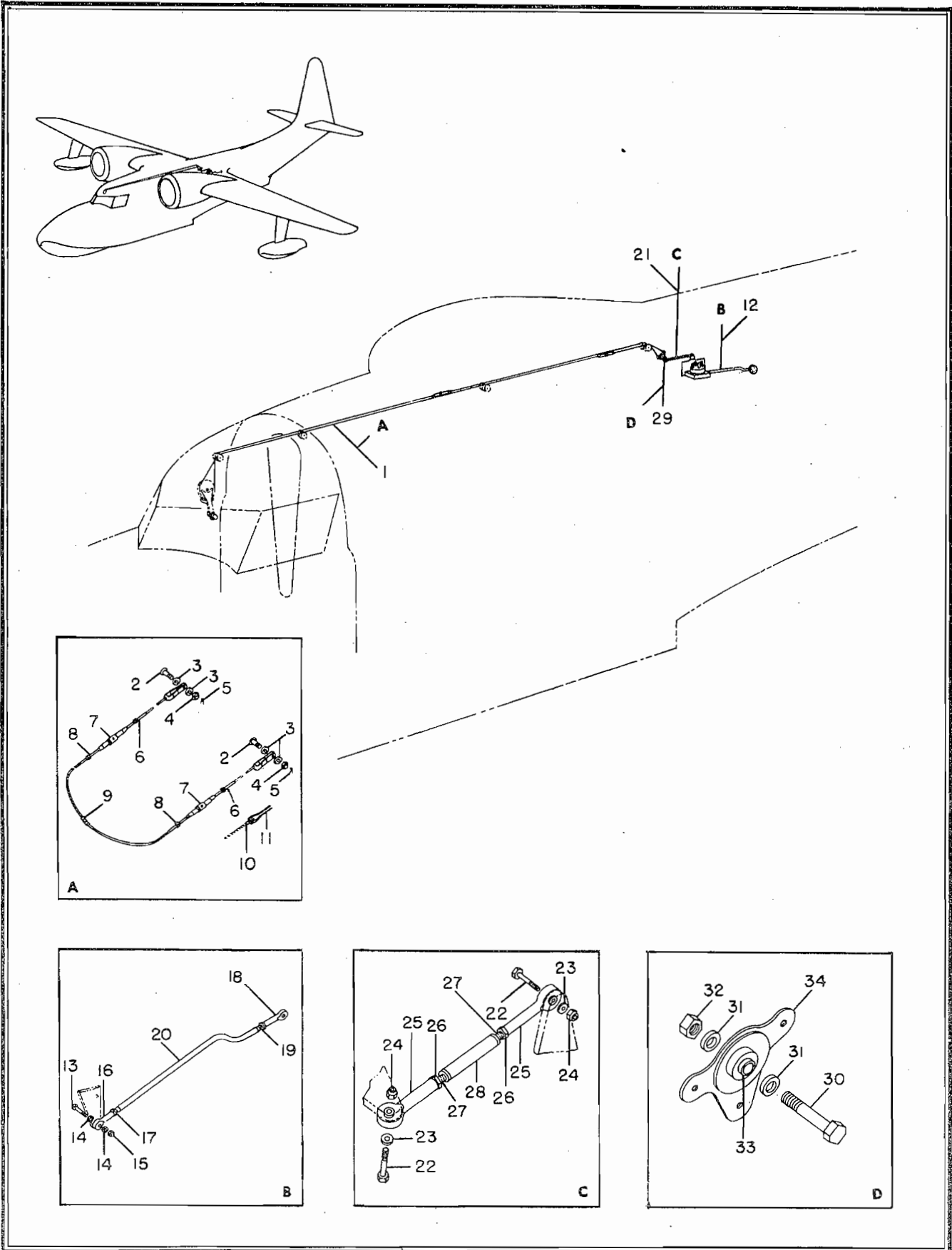


Figure 69—Surface Controls Installation (See Figs. 66, 67, 68)



Section II
Group Assembly Parts List

Figure & Index No.	Part No.	Nomenclature							Units Per Assy	Usage Code
		1	2	3	4	5	6	7		
HULL (Cont)										
Surface Controls Installation (Cont)										
68-44	G5-D3-17	. . .	Spacer						3	All
-45	AN960D10	. . .	Washer						1	All
-46	AN365-1032	. . .	Nut						1	All
-47	109466	. .	Bracket Assembly - Sta. 428 to 446.5 - Tab control pulley (iap) (See Fig. 77)						1	All
-48	109477	. .	Unit Installation - Rudder tab control (See Fig. 78)						1	All
-49	109270	. .	Control Assembly - Elevator tab (See Fig. 79)						1	All
69-1	109439	. .	Cable Assembly - Flap control (iap)						1	All
ATTACHING PARTS										
-2	AN23-9	. . .	Bolt						2	All
-3	AN960D10L	. . .	Washer						4	All
-4	AN320-3	. . .	Nut						2	All
-5	AN380C2-2	. . .	Cotter						2	All
-6	AN669S2RH	. . .	Terminal						2	All
-7	AN155-8S	. . .	Barrel						2	All
-8	AN669S2LH	. . .	Terminal						2	All
-9	RA2494-2	. . .	Terminal - Ball (American Chain & Cable Co., Inc.)						1	All
-10	RA2490-2	. . .	Terminal - Ball (American Chain & Cable Co., Inc.)						2	All
-11	RA2500-2	. . .	Fitting (American Chain & Cable Co., Inc.)						2	All
-12	109590	. .	Rod - Flap positioning aft push (iap)						1	All
ATTACHING PARTS										
-13	AN3-10A	. . .	Bolt						1	All
-14	AN960A10L	. . .	Washer						2	All
-15	AN365-1032	. . .	Nut						1	All
-16	REB-3N	. . .	End - Rod (Fafnir Bearing Co.)						1	All
-17	AN316-4R	. . .	Nut						1	All
-18	RE4F5	. . .	End - Rod (Fafnir Bearing Co.)						1	All
-19	AN316-5R	. . .	Nut						1	All
-20	109590-1	. . .	Rod - Welded Assembly						1	All
-21	109437	. .	Rod - Flap positioning mechanism push (iap)						1	All
ATTACHING PARTS										
-22	AN3-10A	. . .	Bolt						2	All
-23	AN960D10	. . .	Washer						2	All
-24	AN365-1032	. . .	Nut						2	All
-25	REB3N2	. . .	End - Rod (Fafnir Bearing Co.)						2	All
-26	AN316-5	. . .	Nut						2	All
-27	G332-1	. . .	End - Rod						2	All
-28	109437-1	. . .	Rod						1	All
-29	109438	. .	Bellcrank Assembly - Sta. 255.5 - Flap control						1	All
ATTACHING PARTS										
-30	AN4-13A	. . .	Bolt						1	All
-31	AN960D416L	. . .	Washer						2	All
-32	AN365-428	. . .	Nut						1	All
-33	BC4W9	. . .	Bearing (Fafnir Bearing Co.)						1	All
-34	109438-1	. . .	Bellcrank						1	All

Section II
Group Assembly Parts List

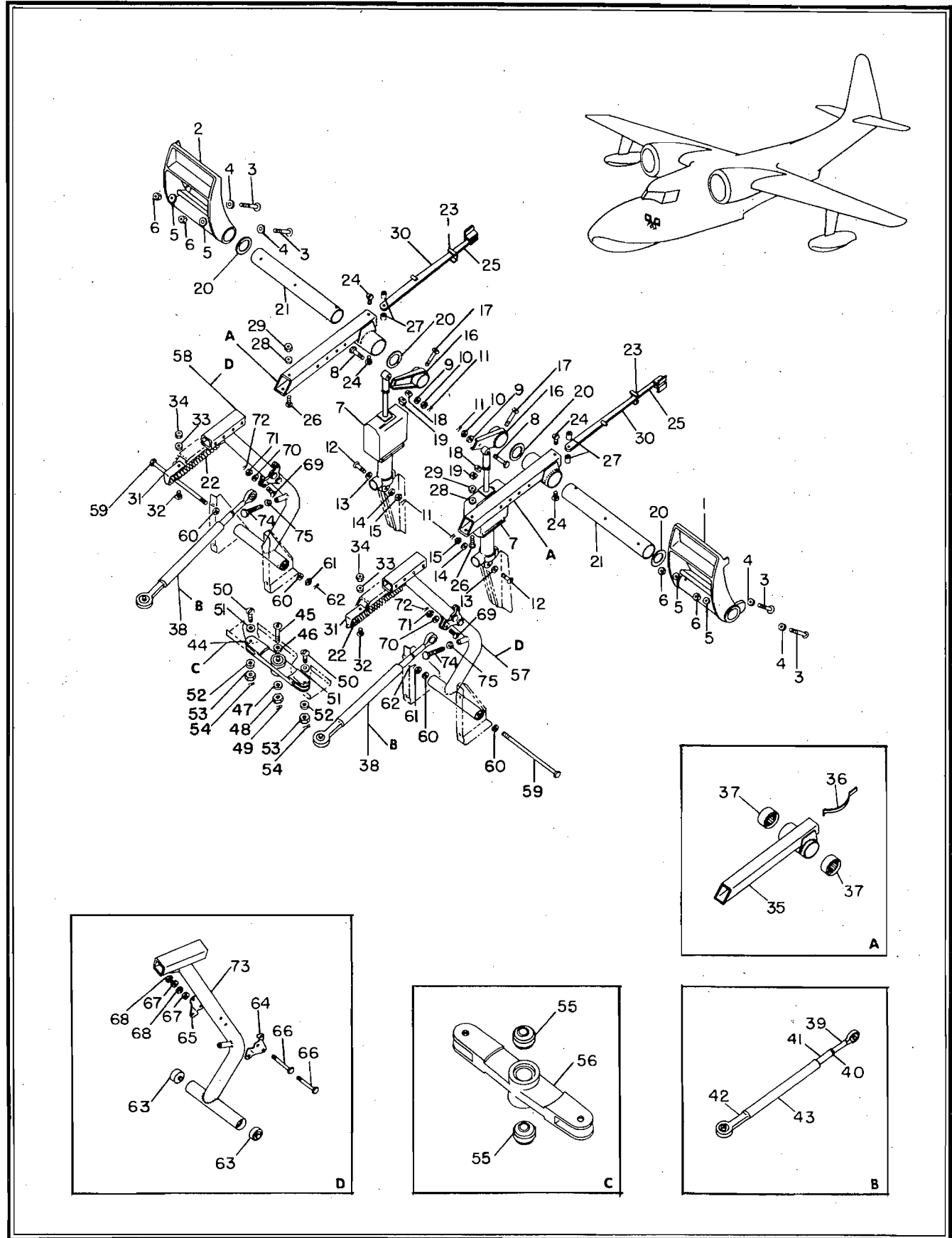


Figure 70—Pilot Rudder Pedal Installation



Section II
Group Assembly Parts List

Figure & Index No.	Part No.	Nomenclature							Units Per Assy	Usage Code
		1	2	3	4	5	6	7		
HULL (Cont)										
Pilot Rudder Pedal Installation										
70-	109308	Pedal Installation - Pilot rudder (See Fig. 66-1)					Ref	All	
-1	109360L	Pedal - Pilot rudder L.H. (iap)					1	All	
-2	109360R	Pedal - Pilot rudder R.H. (iap)					1	All	
ATTACHING PARTS										
-3	AN24-32A	Bolt					2	All	
-4	AN960D416L	Washer					2	All	
-5	AN960D416	Washer					2	All	
-6	AN364-428	Nut					2	All	
-7	10576	Unit - Brake (Warner Aircraft Corp.)					2	All	
ATTACHING PARTS										
-8	AN4-11	Bolt					1	All	
-9	AN960-416	Washer					1	All	
-10	AN310-4	Nut					1	All	
-11	AN380C2-2	Cotter					2	All	
-12	AN24-14	Bolt					1	All	
-13	AN960D416L	Washer					1	All	
-14	AN960D416	Washer					1	All	
-15	AN320-4	Nut					1	All	
-16	109354	Bellcrank - Pilot pedal (iap)					2	All	
ATTACHING PARTS										
-17	AN24-32A	Bolt					1	All	
-18	AN960-416	Washer					1	All	
-19	AN364-428	Nut					1	All	
-20	109358	Washer - Pedal thrust					4	All	
-21	109353-2	Tube - Pedal bearing					2	All	
-22	G102-4	Spring - Pedal adjusting tension					2	All	
-23	109357	Guide - Adjusting arm (iap)					2	All	
ATTACHING PARTS										
-24	AN530-8-6	Screw					2	All	
-25	109462	Arm Assembly - Pedal adjusting (iap)					2	All	
ATTACHING PARTS										
-26	AN24-21A	Bolt					1	All	
-27	G5-4-23	Spacer					2	All	
-28	AN960-416	Washer					1	All	
-29	AN364-428	Nut					1	All	
-30	109356	Arm - Welded assembly					1	All	
-31	109359	Clip (iap)					2	All	
ATTACHING PARTS										
-32	AN520-10-8	Screw					1	All	
-33	AN960-10	Washer					1	All	
-34	AN365-1032	Nut					1	All	
-35	109352L	Housing Assembly L.H.					1	All	
	109352R	Housing Assembly R.H.					1	All	
-36	G103-110	Spring					1	All	
-37	GB-2212	Bearing - Needle (The Torrington Co.)					2	All	
-38	109363	Rod Assembly - Push					2	All	
-39	G75-KS4	Terminal					1	All	
-40	AN316-6R	Nut					1	All	
-41	112744	Terminal					1	All	
-42	G74-6-KS4	Terminal					1	All	
-43	109363-1	Tube					1	All	
-44	109457	Idler Assembly (iap)					1	All	
ATTACHING PARTS										
-45	AN25-31	Bolt					1	All	

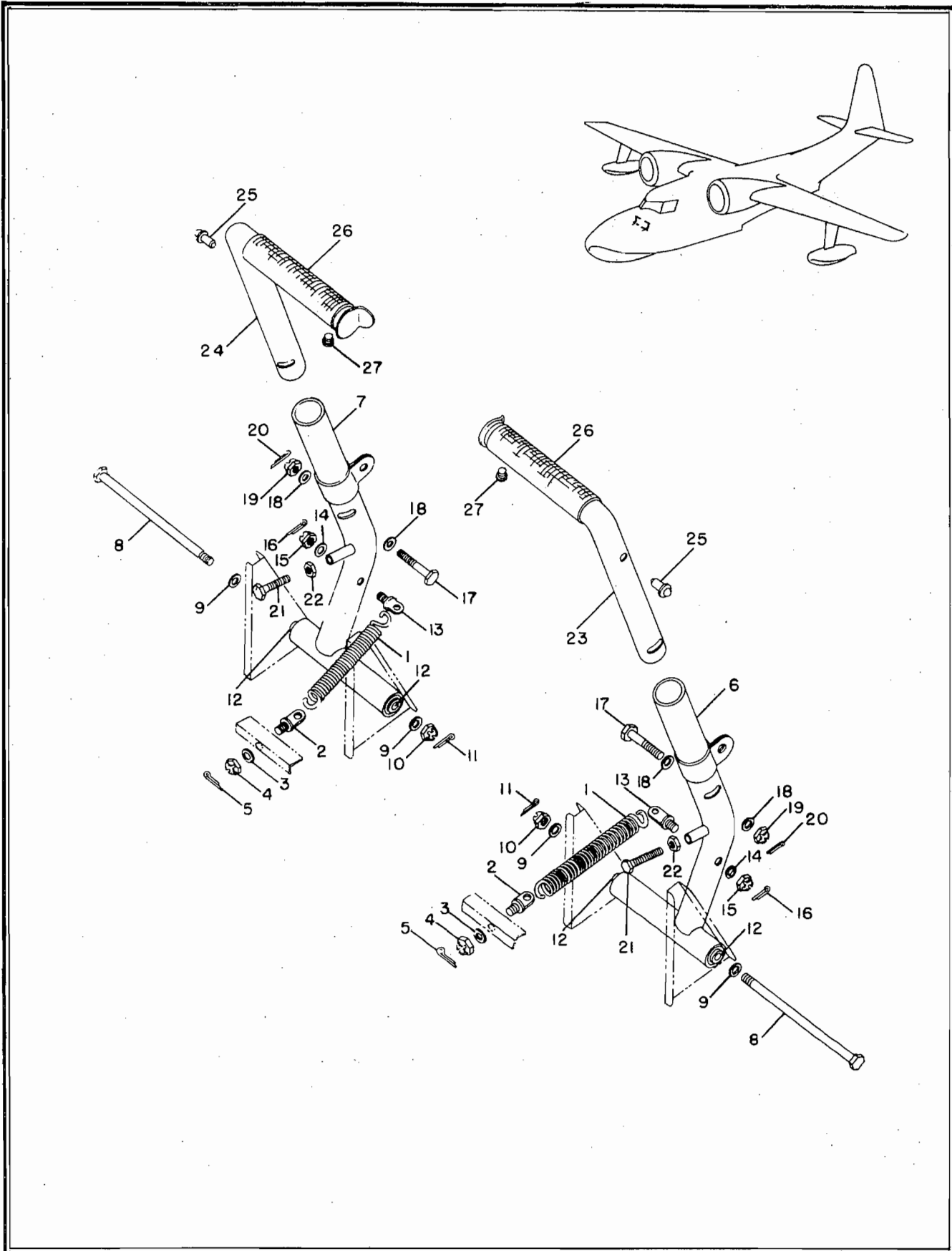


Figure 71—Copilot Rudder Pedal Installation



Section II
Group Assembly Parts List

Figure & Index No.	Part No.	Nomenclature 1 2 3 4 5 6 7	Units Per Assy	Usage Code
-----------------------	----------	-------------------------------	-------------------	---------------

HULL (Cont)

Pilot Rudder Pedal Installation (Cont)

70-46	AN960D516L Washer	1	All
-47	AN960D516 Washer	1	All
-48	AN320-5 Nut	1	All
-49	AN380C2-3 Cotter	1	All
-50	AN24-17 Bolt	2	All
-51	AN960D416L Washer	2	All
-52	AN960D416 Washer	2	All
-53	AN320-4 Nut	2	All
-54	AN380C2-2 Cotter	2	All
-55	AN201K5A Bearing	2	All
-56	112743 Idler	1	All
-57	109351L	. . . Stanchion Assembly (iap)	1	All
-58	109351R	. . . Stanchion Assembly (iap)	1	All
ATTACHING PARTS				
-59	AN4-60 Bolt	1	All
-60	AN960D416 Washer	2	All
-61	AN310-4 Nut	1	All
-62	AN380C2-2 Cotter	1	All
-63	AN200K4 Bearing	2	All
-64	109364-2 Strap	1	All
-65	109364-1 Strap	1	All
ATTACHING PARTS FOR TWO STRAPS				
-66	AN3-16A Bolt	2	All
-67	AN960-10 Washer	2	All
-68	AN365-1032 Nut	2	All
-69	AN24-17 Bolt	1	All
-70	AN960-416 Washer	1	All
-71	AN320-4 Nut	1	All
-72	AN380C2-2 Cotter	1	All
-73	109351-4L Stanchion Assembly - Welded L.H.	1	All
-73	109351-4R Stanchion Assembly - Welded R.H.	1	All
-74	G19-4-14 Bolt	2	All
-75	AN316-4R Nut	2	All

Copilot Rudder Pedal Installation

71-	109309	. . Pedal Installation - Copilot rudder (See Fig. 66-2)	Ref	All
-1	G102-120	. . . Spring	2	All
-2	AN43-4	. . . Eyebolt	2	All
-3	G338-4	. . . Washer	2	All
-4	AN310-4	. . . Nut	2	All
-5	AN380C2-2	. . . Cotter	2	All
-6	109361-1L	. . . Stanchion - Lower L.H. (iap)	1	All
-7	109361-1R	. . . Stanchion - Lower R.H. (iap)	1	All
ATTACHING PARTS				
-8	AN4-60 Bolt	1	All
-9	AN960D416 Washer	2	All

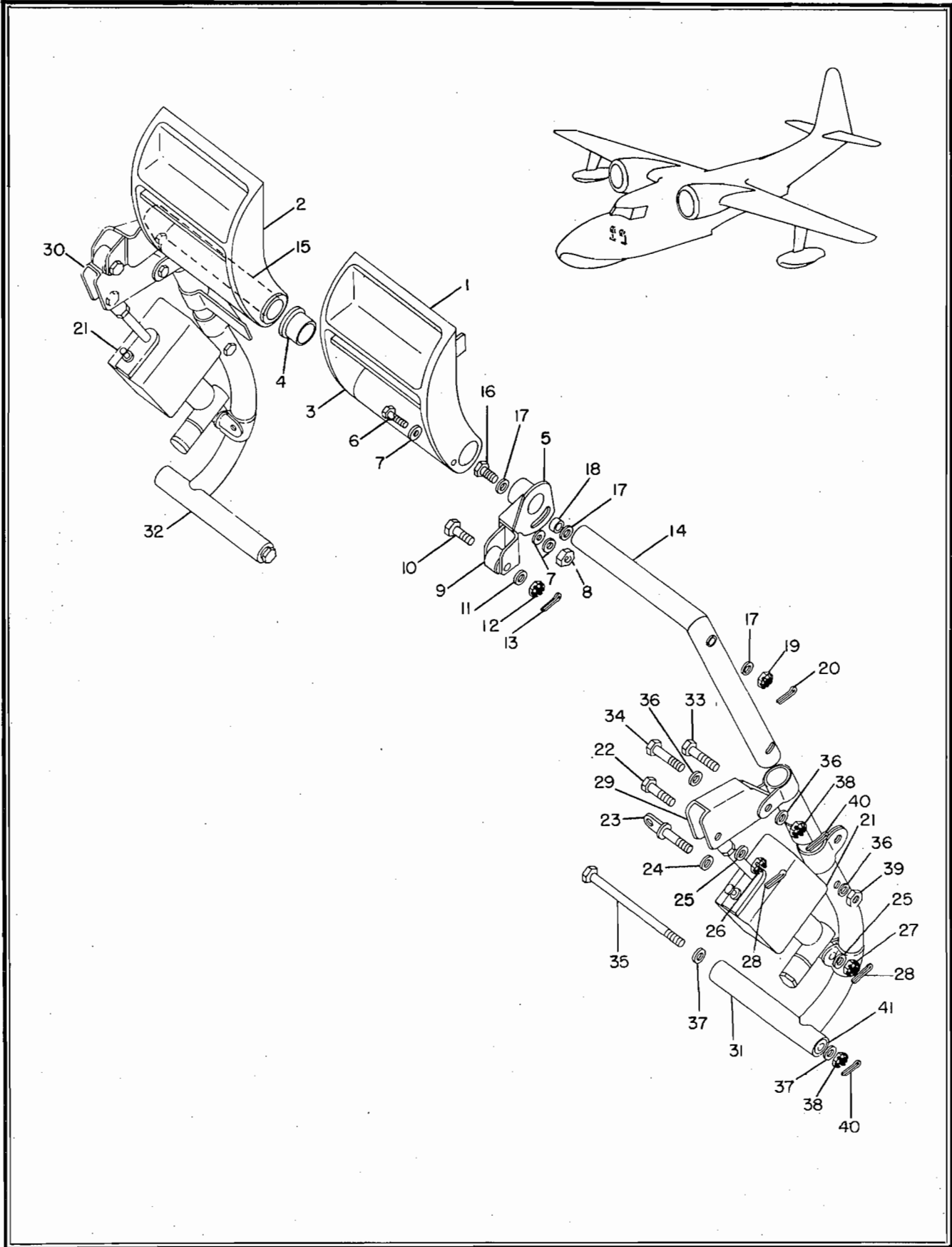


Figure 72—Copilot Brake Pedal Installation



Section II
Group Assembly Parts List

Figure & Index No.	Part No.	Nomenclature 1 2 3 4 5 6 7	Units Per Assy	Usage Code
HULL (Cont)				
Copilot Rudder Pedal Installation (Cont)				
71-10	AN310-4 Nut	1	All
-11	AN380C2-2 Cotter	1	All
-12	K4 Bearing (Fafnir Bearing Co.)	2	All
-13	AN43-14 Eyebolt	1	All
-14	AN960-416 Washer	1	All
-15	AN310-4 Nut	1	All
-16	AN380C2-2 Cotter	1	All
-17	AN4-15 Bolt	1	All
-18	AN960-416 Washer	2	All
-19	AN310-4 Nut	1	All
-20	AN380C2-2 Cotter	1	All
-21	G19-4-14 Bolt	1	All
-22	AN316-4R Nut	1	All
-23	109361-2L Stanchion - Upper L.H.	1	All
-24	109361-2R Stanchion - Upper R.H.	1	All
-25	11A Catch - Friction (Peter Forg Manufacturing Co.)	1	All
-26	109309-1 Matting (iap)	1	All
ATTACHING PARTS				
-27	AN530-8-6 Screw	4	All

Copilot Brake Pedal Installation				
72-	109250	. . . Pedal Installation - Copilot brake (See Fig. 66-2)	Ref	ab
-1	109257L	. . . Pedal Assembly - Brake L.H.	1	ab
-2	109257R	. . . Pedal Assembly - Brake R.H.	1	ab
-3	109256L	. . . Pedal Assembly L.H.	(L.H.) 1	ab
	109256R	. . . Pedal Assembly R.H.	(R.H.) 1	ab
-4	109255 Bushing	1	ab
-5	109253-9L	. . . Arm Assembly L.H. (iap)	(L.H.) 1	ab
	109253-9R	. . . Arm Assembly R.H. (iap)	(R.H.) 1	ab
ATTACHING PARTS				
-6	AN3-6A Bolt	1	ab
-7	AN960-10 Washer	3	ab
-8	AN365-1032 Nut	1	ab
-9	109254 Roller	1	ab
-10	AN4-12 Bolt	1	ab
-11	AN960-416 Washer	1	ab
-12	AN310-4 Nut	1	ab
-13	AN380C2-2 Cotter	1	ab
-14	109251L	. . . Tube Assembly L.H.	(L.H.) 1	ab
-15	109251R	. . . Tube Assembly R.H.	(R.H.) 1	ab
ATTACHING PARTS				
-16	AN4-16 Bolt	1	ab
-17	AN960C416 Washer	3	ab
-18	G5-4-8 Spacer	1	ab
-19	AN310-4 Nut	1	ab
-20	AN380C2-2 Cotter	1	ab
-21	10576	. . . Unit - Brake operating (Warner Aircraft Corporation)	2	ab
ATTACHING PARTS				
-22	AN4-11	. . . Bolt	1	ab

Section II
Group Assembly Parts List

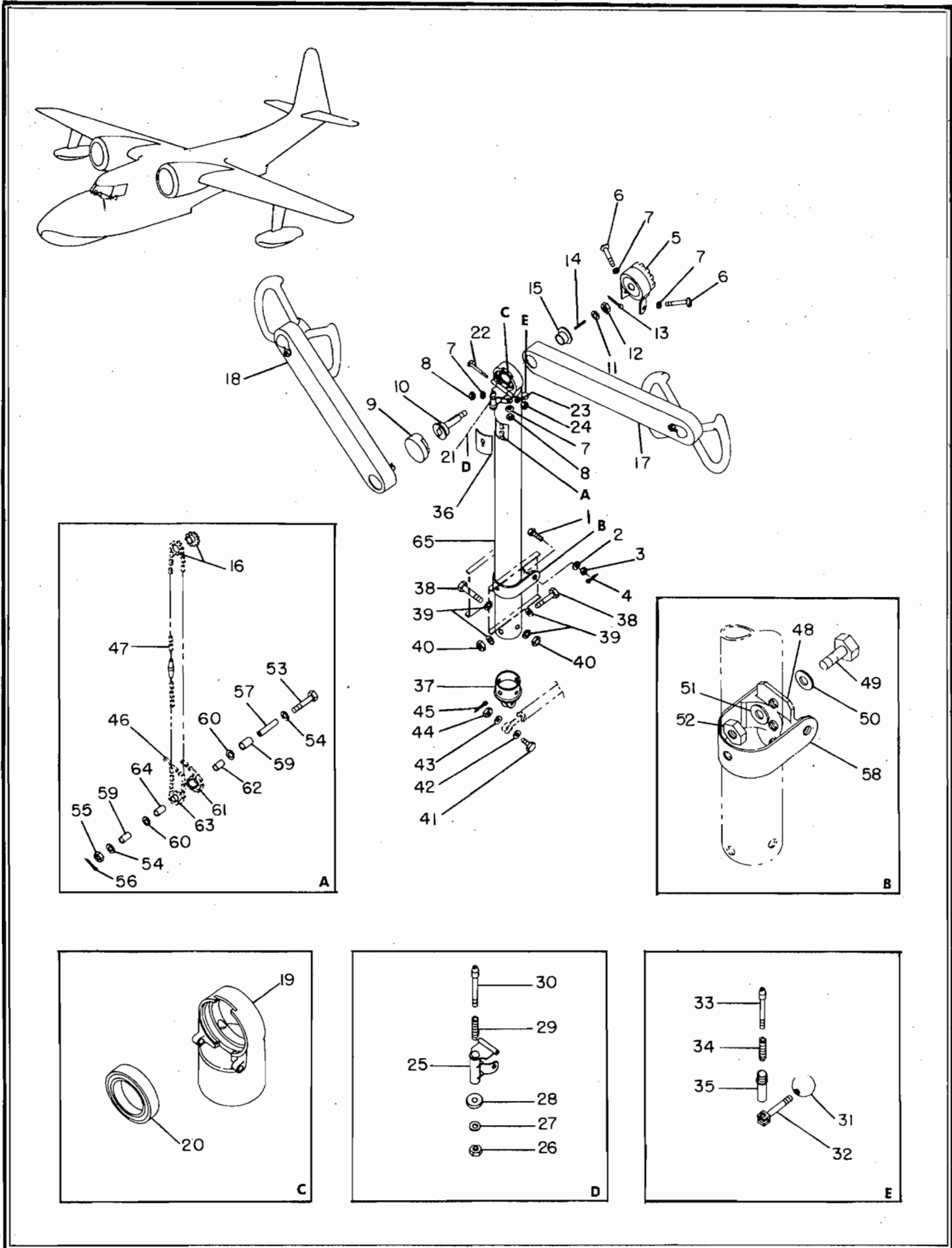


Figure 73—Surface Controls Column Assembly



Section II
Group Assembly Parts List

Figure & Index No.	Part No.	Nomenclature	Units Per Assy	Usage Code
		1 2 3 4 5 6 7		

HULL (Cont)

Copilot Brake Pedal Installation (Cont)

72-23	AN43-10	. . . Bolt	1	ab
-24	AN960-416L	. . . Washer	1	ab
-25	AN960-416	. . . Washer	2	ab
-26	AN310-4	. . . Nut	1	ab
-27	AN320-4	. . . Nut	1	ab
-28	AN380C2-2	. . . Cotter	2	ab
-29	109253-6L	. . . Idler Assembly L.H.	1	ab
-30	109253-6R	. . . Idler Assembly R.H.	1	ab
-31	109252L	. . . Stanchion Assembly L.H. (iap)	1	ab
-32	109252R	. . . Stanchion Assembly R.H. (iap)	1	ab
ATTACHING PARTS				
-33	AN4-12 Bolt	1	ab
-34	AN4-15A Bolt	1	ab
-35	AN4-60 Bolt	1	ab
-36	AN960-416 Washer	3	ab
-37	AN960D416 Washer	2	ab
-38	AN310-4 Nut	2	ab
-39	AN365-428 Nut	1	ab
-40	AN380C2-2 Cotter	2	ab
-41	K-4 Bearing (Fafnir Bearing Co.)	2	ab

Surface Controls Column Assembly

73-	109316	. . Column Assembly - Surface controls (iap) (See Fig. 66-3) Ref		A
ATTACHING PARTS				
-1	AN5-13	. . . Bolt	2	All
-2	AN960-516	. . . Washer	2	All
-3	AN310-5	. . . Nut	2	All
-4	AN380C2-3	. . . Cotter	2	All
-5	109260	. . . Control Assembly - Aileron trim (iap) (See Fig. 74)	1	All
ATTACHING PARTS				
-6	AN24-55A Bolt	2	All
-7	AN960A416L Washer	4	All
-8	AN364-428 Nut	2	All
-9	109419	. . . Cap (Used only when auxiliary arm is not installed)	1	All
-10	122853	. . . Shaft (iap)	1	All
ATTACHING PARTS				
-11	AN960-616 Washer	1	All
-12	AN310-6 Nut	1	All
-13	AN380C3-3 Cotter	1	All
-14	109316-3	. . . Key	1	All
-15	109456	. . . Collar Assembly	1	All
-16	112709-1	. . . Sprocket	2	All
-17	109316-1	. . . Arm Assembly - Main (See Fig. 75)	1	All
-18	109315	. . . Arm Assembly - Auxiliary (See Fig. 75)	1	All
-19	112702	. . . Fitting	1	All
-20	AN202K29B Bearing	1	All

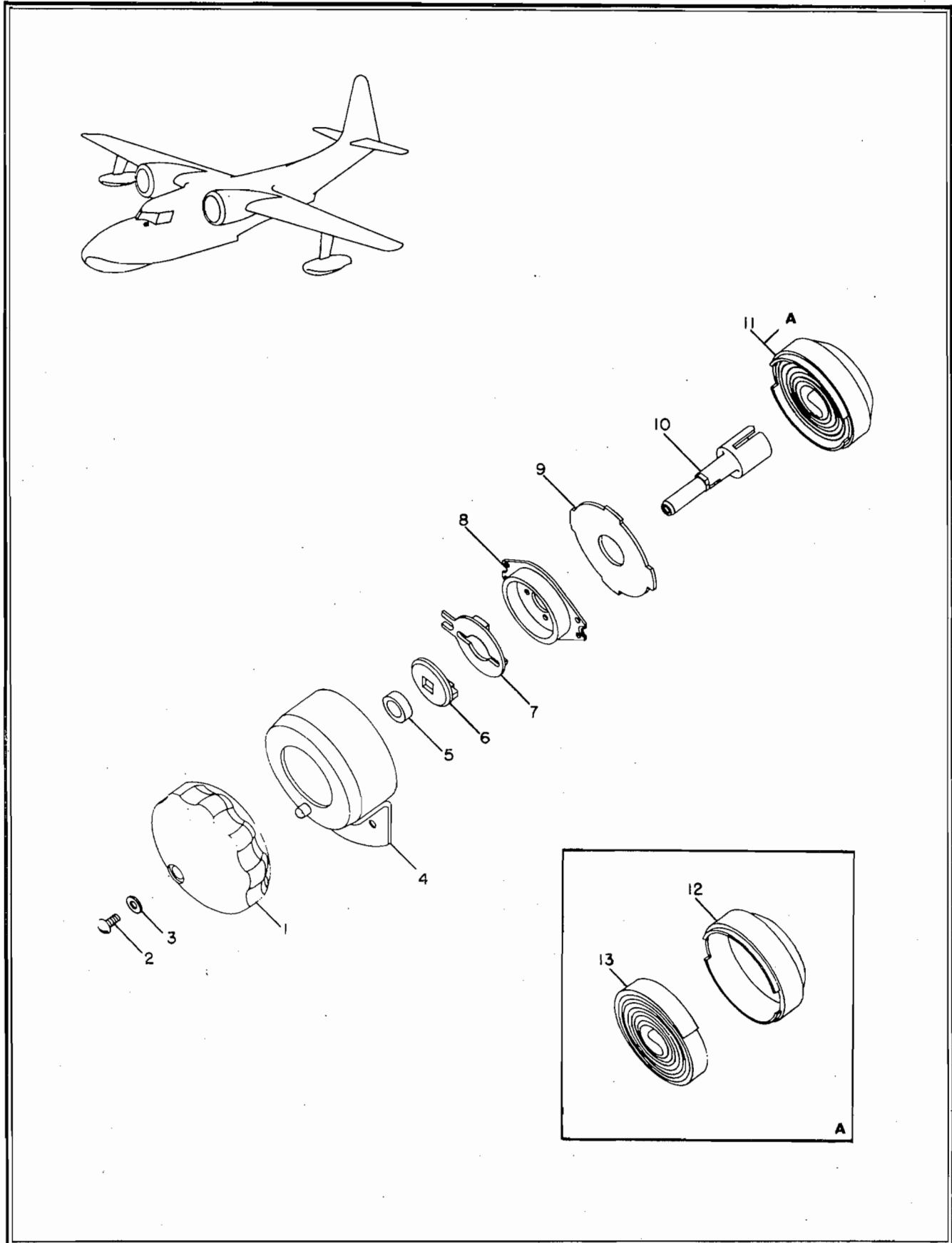


Figure 74—Aileron Trim Control Assembly



Section II
Group Assembly Parts List

Figure & Index No.	Part No.	Nomenclature							Units Per Assy	Usage Code
		1	2	3	4	5	6	7		
HULL (Cont)										
Surface Controls Column Assembly (Cont)										
73-21	109261 Plunger Assembly - Auxiliary arm lock							1	All
ATTACHING PARTS										
-22	AN23-36A Bolt							1	All
-23	AN960D10L Washer							1	All
-24	AN364-1032 Nut								
-25	109490 Support Assembly							1	All
-26	AN364-1032 Nut							1	All
-27	G169-10T Washer							1	All
-28	112750 Knob							1	All
-29	G101-57 Spring							1	All
-30	112718 Pin							1	All
-31	111806 Knob							1	All
-32	112717 Pin							1	All
-33	112718 Pin							1	All
-34	G101-251 Spring							1	All
-35	112719 Fitting							1	All
-36	109365-2 Door - Access							1	All
-37	112710 Fitting (iap)							1	All
ATTACHING PARTS										
-38	AN4-34A Bolt							2	All
-39	AN960D416 Washer							4	All
-40	AN365-428 Nut							2	All
-41	AN24-19 Bolt							1	All
-42	AN960D416L Washer							1	All
-43	AN960D416 Washer							1	All
-44	AN320-4 Nut							1	All
-45	AN380C2-2 Cotter							1	All
-46	109400-3 Chain Assembly							1	All
-47	109400-2 Chain Assembly							1	All
-48	112711 Fitting (iap)							1	All
ATTACHING PARTS										
-49	AN5-5 Bolt							2	All
-50	AN960-516L Washer							2	All
-51	AN960D516 Washer							2	All
-52	AN365-524 Nut							2	All
-53	AN5-35 Bolt							1	All
-54	AN960D516L Washer							2	All
-55	AN310-5 Nut							1	All
-56	AN380C2-2 Cotter							1	All
-57	112705 Tube - Spacer							1	All
-58	109316-4 Strap							1	All
-59	109316-5 Spacer							2	All
-60	AN960C716 Washer							2	All
-61	112709-2 Sprocket							1	All
-62	B78X Bearing (The Torrington Co.)							1	All
-63	112709-3 Sprocket							1	All
-64	B78X Bearing (The Torrington Co.)							1	All
-65	109365-1 Tube Assembly							1	All

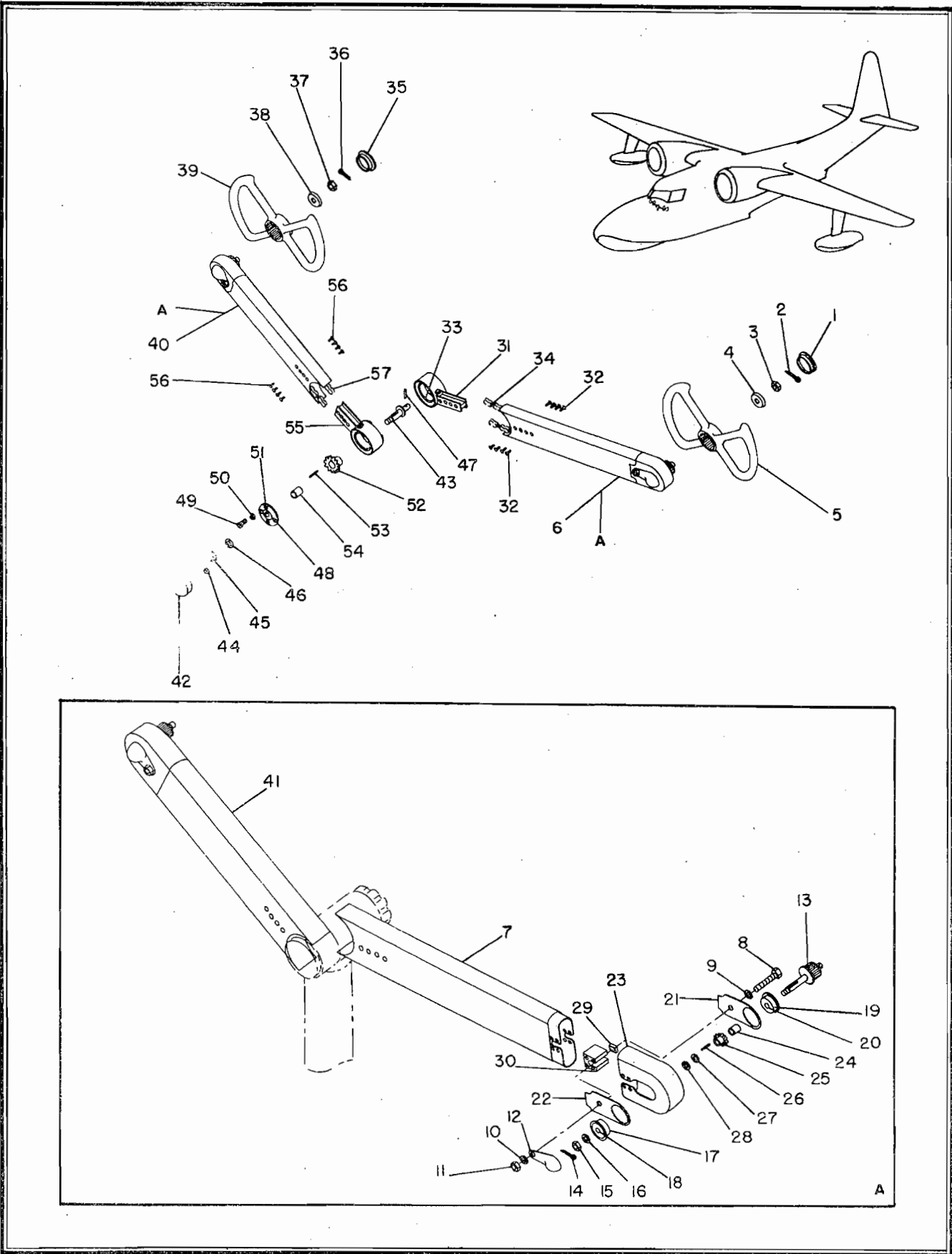


Figure 75—Control Wheel Main and Auxiliary Arm Assembly



Figure & Index No.	Part No.	Nomenclature 1 2 3 4 5 6 7	Units Per Assy	Usage Code
-----------------------	----------	-------------------------------	-------------------	---------------

HULL (Cont)

Aileron Trim Control Assembly

74-	109260 Control Assembly - Aileron trim (See Fig. 73-5)	Ref	All
-1	112984 Handle Assembly (iap)	1	All
ATTACHING PARTS				
-2	AN526-1032-6 Screw	1	All
-3	AN960D10 Washer	1	All
-4	109470 Case Assembly	1	All
-5	112749 Spacer	1	All
-6	112747 Washer	1	All
-7	112748 Cam	1	All
-8	109262 Lock Assembly	1	All
-9	111833-1 Washer	1	All
-10	112700 Shaft	1	All
-11	109471 Case Assembly - Spring	1	All
-12	109471-1 Case	1	All
-13	G103-118 Spring	1	All

Control Wheel Main and Auxiliary Arm Assembly

75-	109316-1 Arm Assembly - Control wheel main (See Fig. 73-17)	Ref	All
-1	111804 Cap - Insignia	1	All
-2	AN380C3-3 Cotter	1	All
-3	AN320-6 Nut	1	All
-4	109458 Washer	1	All
-5	111800 Wheel - Control column	1	All
-6	109366-3 Arm Assembly - Main	1	All
-7	109365-11 Tube Assembly - Main	1	All
-8	G19-5-21 Bolt	1	All
-9	AN960D516L Washer	1	All
-10	AN960D516L Washer	1	All
-11	AN364-524 Nut	1	All
-12	109368 Cover	1	All
-13	112708 Shaft (iap)	1	All
ATTACHING PARTS				
-14	AN380C3-3 Cotter	1	All
-15	AN320-6 Nut	1	All
-16	AN960-616 Washer	1	All
-17	112707 Retainer Assembly	1	All
-18	AN201K8A Bearing	1	All
-19	112707 Retainer Assembly	1	All

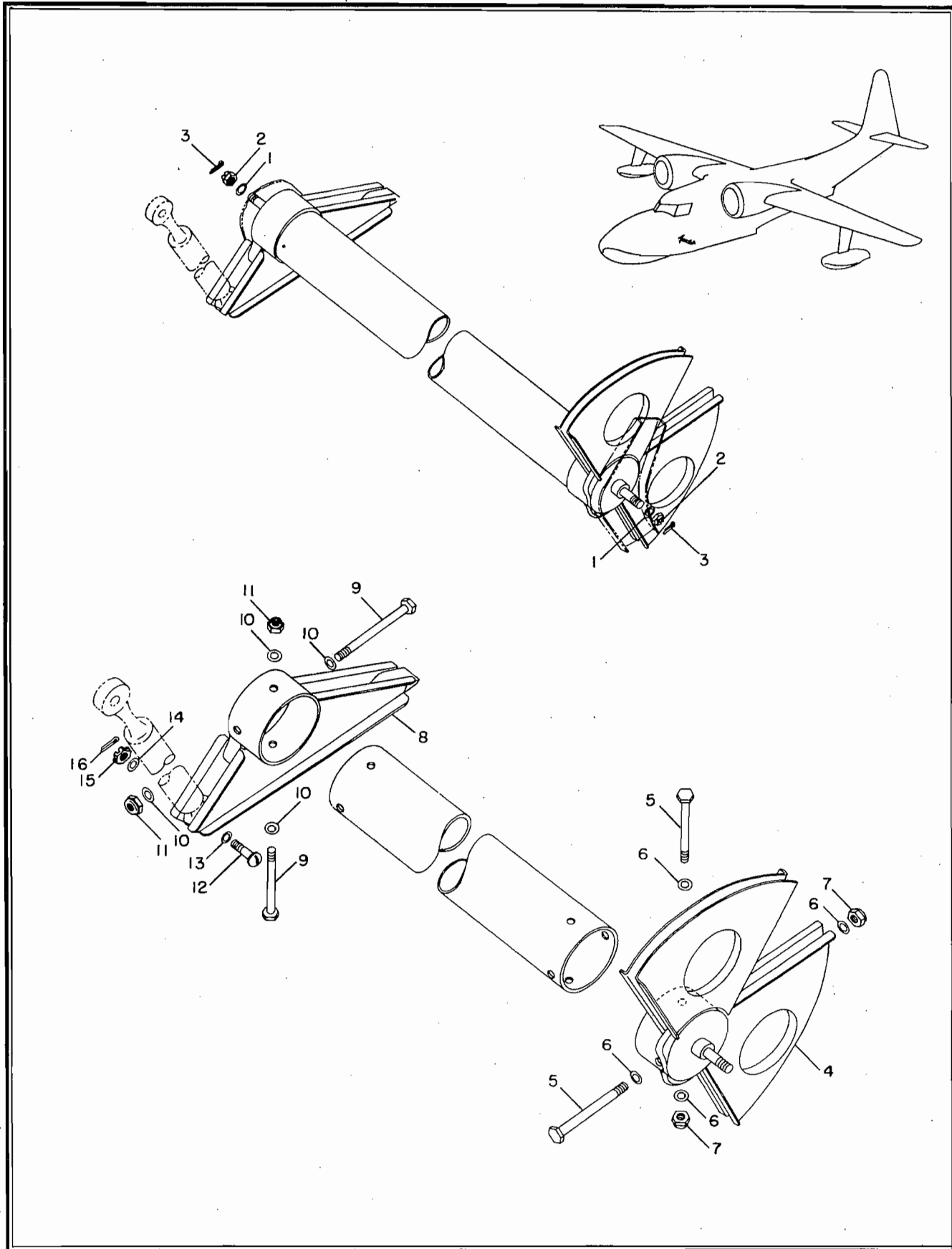


Figure 76—Elevator Control Tube Assembly



Section II
Group Assembly Parts List

Figure & Index No.	Part No.	Nomenclature							Units Per Assy	Usage Code	
		1	2	3	4	5	6	7			
HULL (Cont)											
Control Wheel Main and Auxiliary Arm Assembly (Cont)											
75-20	AN201K8A							Bearing	1	All
-21	109367-2							Plate	1	All
-22	109367-2							Plate	1	All
-23	109367-1							Cap Assembly	1	All
-24	109366-2							Spacer	1	All
-25	112709-1							Sprocket	1	All
-26	109366-1							Key	1	All
-27	AN960-816							Washer	1	All
-28	AN960-816L							Washer	1	All
-29	112704							Block	1	All
-30	112706							Fitting	1	All
-31	112703							Fitting (iap)	1	All
ATTACHING PARTS											
-32	G93-7							Screw	8	All
-33	AN202K29B							Bearing	1	All
-34	109400-1							Chain Assembly	1	All
	109315							Arm Assembly - Control wheel auxiliary (See Fig. 73-18)	Ref	All
-35	111804							Cap - Insignia	1	All
-36	AN380C3-3							Cotter	1	All
-37	AN320-6							Nut	1	All
-38	109458							Washer	1	All
-39	111800							Wheel - Control column	1	All
-40	109366-4							Arm Assembly - Auxiliary (See Index Nos. 8 to 30 for breakdown)	1	All
-41	109365-10							Tube Assembly	1	All
-42	122852							Cap	1	All
-43	122860							Shaft Assembly (iap)	1	All
ATTACHING PARTS											
-44	AN380C3-3							Cotter	1	All
-45	AN320-6							Nut	1	All
-46	AN960-616							Washer	1	All
-47	122867							Pin	1	All
-48	112712							Retainer Assembly (iap)	1	All
ATTACHING PARTS											
-49	AN502-10-6							Screw	4	All
-50	AN960A10L							Washer	4	All
-51	AN201K8A							Bearing	1	All
-52	112709-1							Sprocket	1	All
-53	109315-1							Key	1	All
-54	109315-2							Spacer	1	All
-55	112701							Fitting (iap)	1	All
ATTACHING PARTS											
-56	G93-7							Screw	8	All
-57	109400-1							Chain Assembly	1	All

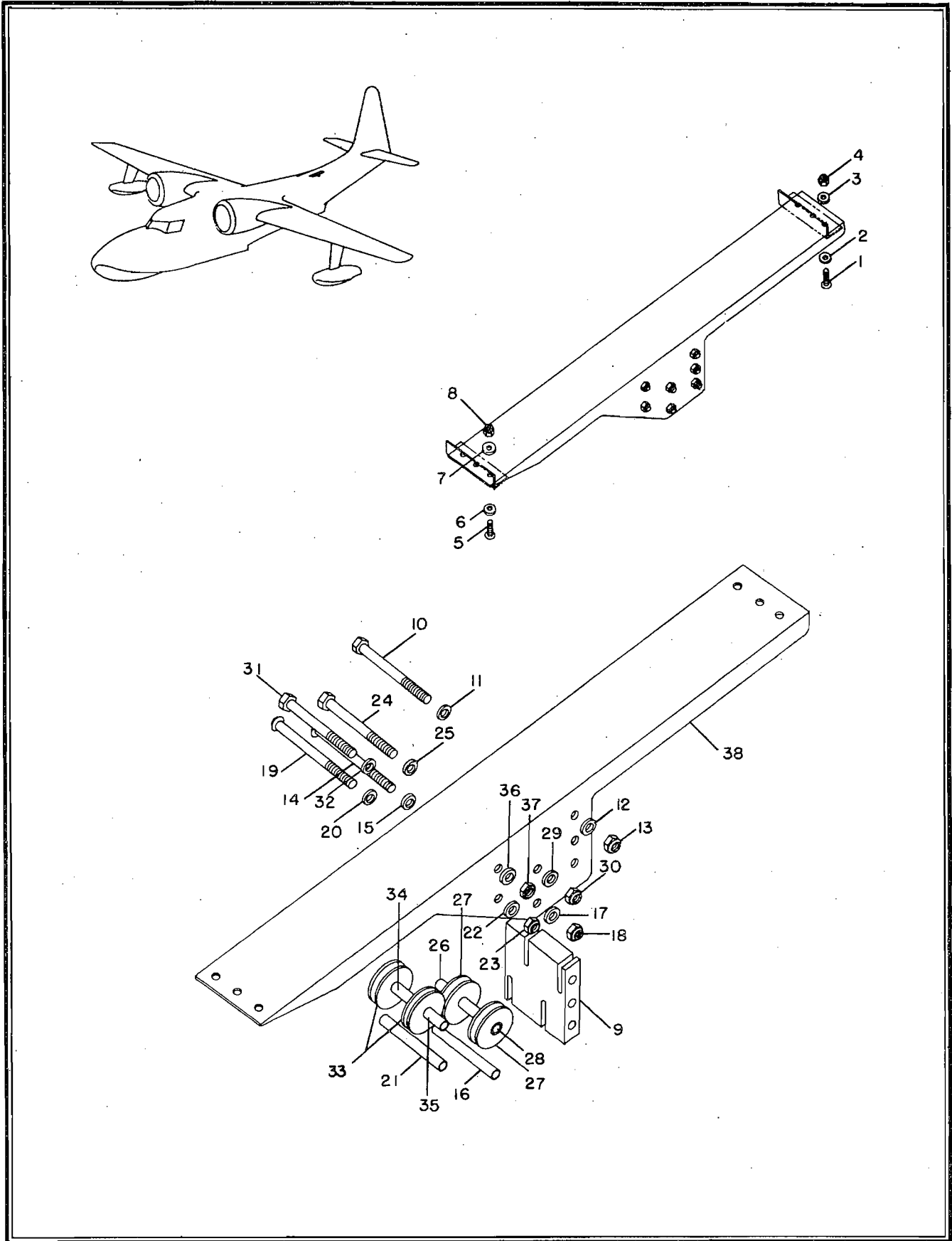


Figure 77—Sta. 428 to 446.5 Tab Control Bracket Assembly



Figure & Index No.	Part No.	Nomenclature	1 2 3 4 5 6 7	Units Per Assy	Usage Code
-----------------------	----------	--------------	---------------	-------------------	---------------

HULL (Cont)

Elevator Control Tube Assembly

76-	109410	. . . Tube Assembly - Elevator control (iap) (See Fig. 66-5)		Ref	All
		ATTACHING PARTS			
-1	AN960-516	. . . Washer		2	All
-2	AN310-5	. . . Nut		2	All
-3	AN380C2-3	. . . Cotter		2	All
-4	109410-1	. . . Sector Assembly (iap)		1	All
		ATTACHING PARTS			
-5	AN4A-33 Bolt		2	All
-6	AN960-416T Washer		4	All
-7	AN365-428 Nut		2	All
-8	109410-2	. . . Sector Assembly (iap)		1	All
		ATTACHING PARTS			
-9	AN4A-33 Bolt		2	All
-10	AN960D416L Washer		4	All
-11	AN365-428 Nut		2	All
-12	AN24-15 Bolt		1	All
-13	AN960D416L Washer		1	All
-14	AN960D416 Washer		1	All
-15	AN320-4 Nut		1	All
-16	AN380C2-2 Cotter		1	All
-17	109410-3	. . . Tube - Torque		1	All

Sta. 428 to 446.5 Tab Control Bracket Assembly

77-	109466	. . . Bracket Assembly - Sta. 428 to 446.5 tab control (iap) (See Fig. 68-47)		Ref	All
		ATTACHING PARTS			
-1	AN520-10-8	. . . Screw		3	All
-2	AN960D10L	. . . Washer		3	All
-3	AN960D10	. . . Washer		3	All
-4	AN365-1032	. . . Nut		3	All
-5	AN520-10-8	. . . Screw		3	All
-6	AN960D10L	. . . Washer		3	All
-7	AN960D10	. . . Washer		3	All
-8	AN365-1032	. . . Nut		3	All
-9	111834	. . . Block (iap)		1	All
		ATTACHING PARTS			
-10	AN3-24A Bolt		3	All
-11	AN960D10L Washer		3	All
-12	AN960D10 Washer		3	All
-13	AN365-1032 Nut		3	All
-14	AN520-10-40	. . . Screw		1	All
-15	AN960D10L	. . . Washer		1	All
-16	G5-D3-200	. . . Spacer		1	All
-17	AN960D10	. . . Washer		1	All
-18	AN365-1032	. . . Nut		1	All
-19	AN520-10-40	. . . Screw		1	All
-20	AN960D10L	. . . Washer		1	All

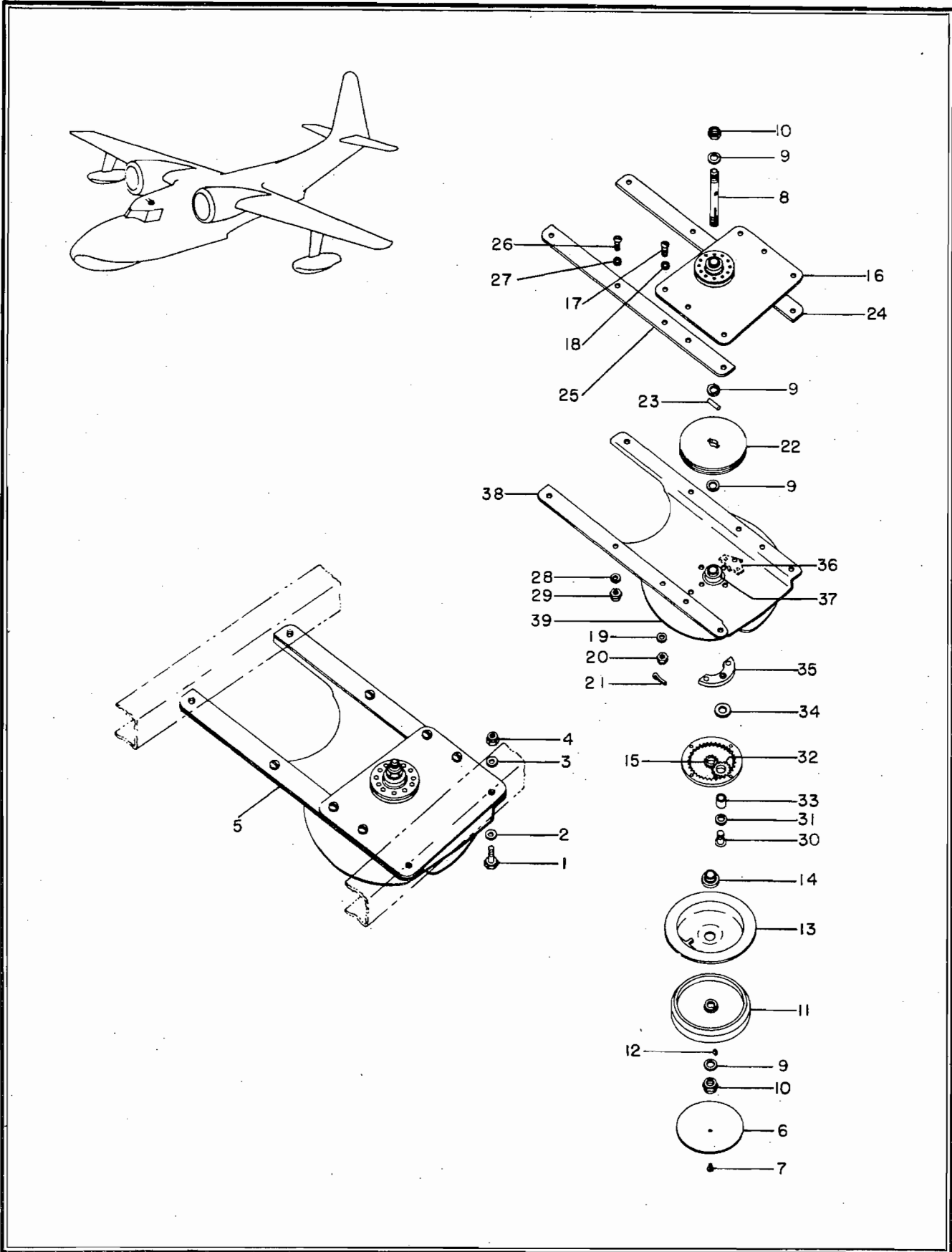


Figure 78—Rudder Tab Control Unit Installation



Figure & Index No.	Part No.	Nomenclature	1 2 3 4 5 6 7	Units Per Assy	Usage Code
-----------------------	----------	--------------	---------------	-------------------	---------------

HULL (Cont)

Sta. 428 to 446.5 Tab Control Bracket Assembly (Cont)

77-21	G5-D3-200	. . .	Spacer	1	All
-22	AN960D10	. . .	Washer	1	All
-23	AN365-1032	. . .	Nut	1	All
-24	AN3-24A	. . .	Bolt	1	All
-25	AN960D10L	. . .	Washer	1	All
-26	G5-D3-37	. . .	Spacer	1	All
-27	AN210-1A	. . .	Pulley	2	All
-28	G5-D3-53	. . .	Spacer	1	All
-29	AN960D10	. . .	Washer	1	All
-30	AN365-1032	. . .	Nut	1	All
-31	AN3-24A	. . .	Bolt	1	All
-32	AN960D10L	. . .	Washer	1	All
-33	AN210-1A	. . .	Pulley	2	All
-34	G5-D3-53	. . .	Spacer	1	All
-35	G5-D3-37	. . .	Spacer	1	All
-36	AN960D10	. . .	Washer	1	All
-37	AN365-1032	. . .	Nut	1	All
-38	109467	. . .	Bracket	1	All

Rudder Tab Control Unit Installation

78-	109477	. . .	Unit Installation - Rudder tab control (iap) (See Fig. 68-48)	Ref	All
		ATTACHING PARTS			
-1	AN3-5A	. . .	Bolt	4	All
-2	AN960D10L	. . .	Washer	4	All
-3	AN960D10	. . .	Washer	4	All
-4	AN365-1032	. . .	Nut	4	All
-5	109478	. . .	Control Assembly - Rudder tab	1	All
-6	109378	Cap (iap)	1	All
		ATTACHING PARTS			
-7	AN526-632-4	Screw	1	All
-8	112746	Shaft	1	All
-9	AN960D516	Washer	4	All
-10	AN364-524	Nut	2	All
-11	112731	Handle	1	All
-12	109478-3	Key	1	All
-13	109480	Indicator Assembly	1	All
-14	112757	Spacer	1	All
-15	112751	Gear	1	All
-16	109478-2	Support Assembly (iap)	1	All
		ATTACHING PARTS			
-17	AN23-9	Bolt	4	All
-18	AN960D10L	Washer	4	All
-19	AN960D10	Washer	4	All
-20	AN320-3	Nut	4	All
-21	AN380C2-2	Cotter	4	All
-22	112730	Pulley	1	All
-23	112734	Pin	1	All

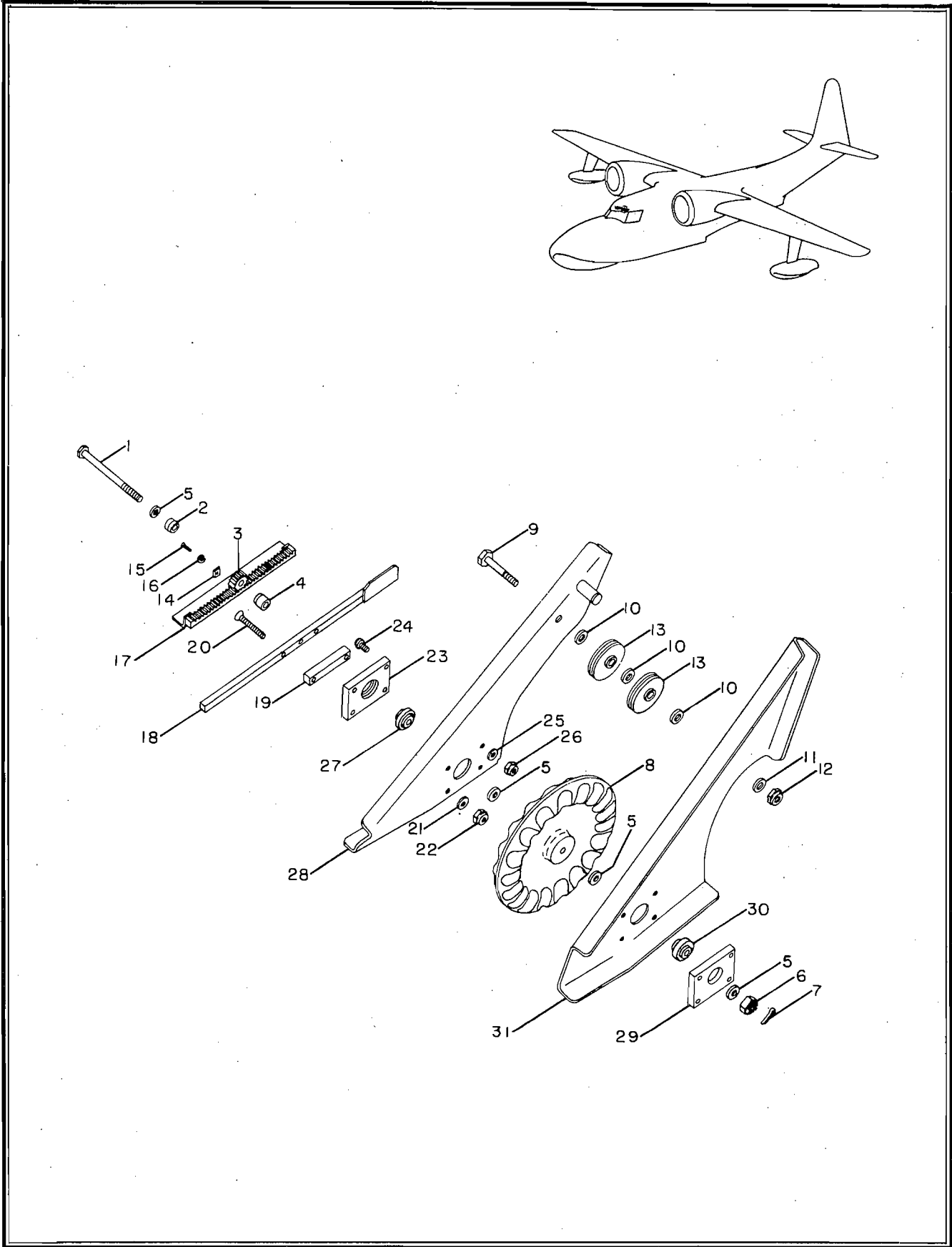


Figure 79—Elevator Tab Control Assembly



Section II
Group Assembly Parts List

Figure & Index No.	Part No.	Nomenclature 1 2 3 4 5 6 7	Units Per Assy	Usage Code
-----------------------	----------	-------------------------------	-------------------	---------------

HULL (Cont)

Rudder Tab Control Unit Installation (Cont)

78-24	111868-1 Strip (iap)	1	All
-25	111868-2 Strip (iap)	1	All
		ATTACHING PARTS		
-26	AN520-10-8 Screw	1	All
-27	AN960D10L Washer	1	All
-28	AN960D10 Washer	1	All
-29	AN365-1032 Nut	1	All
	109478-1 Nameplate Assembly	1	All
-30	AN526-1032-7 Screw	1	All
-31	AN960D10L Washer	1	All
-32	112752 Gear	1	All
-33	112754 Spacer	1	All
-34	AN960D516L Washer	1	All
-35	112753 Shim	1	All
-36	109485 Stop	1	All
-37	BC5W10 Bearing (Fafnir Bearing Co.)	1	All
-38	109483-1 Channel	1	All
-39	109484 Nameplate	1	All

Elevator Tab Control Assembly

79-	109270	. . . Control Assembly - Elevator tab (See Fig. 68-49)	Ref	All
-1	AN4-22	. . . Bolt	1	All
-2	109274-2	. . . Bushing	1	All
-3	112760	. . . Gear	1	All
-4	109274-1	. . . Bushing	1	All
-5	AN960D416	. . . Washer	4	All
-6	AN310-4	. . . Nut	1	All
-7	AN380C2-2	. . . Cotter	1	All
-8	112732	. . . Wheel	1	All
-9	AN3-12A	. . . Bolt	1	All
-10	AN960D10	. . . Washer	3	All
-11	AN960D10L	. . . Washer	1	All
-12	AN365-1032	. . . Nut	1	All
-13	AN210-1A	. . . Pulley	2	All
-14	112763	. . . Stop (iap)	1	All
		ATTACHING PARTS		
-15	AN500-2-4 Screw	1	All
-16	AN935-2 Washer - Lock	1	All
-17	109272	. . . Indicator Assembly	1	All
-18	109273	. . . Rail Assembly	1	All
-19	112762 Spacer (iap)	1	All
		ATTACHING PARTS		
-20	AN505-4-16 Screw	2	All
-21	AN960D4 Washer	2	All
-22	AN365-440 Nut	2	All

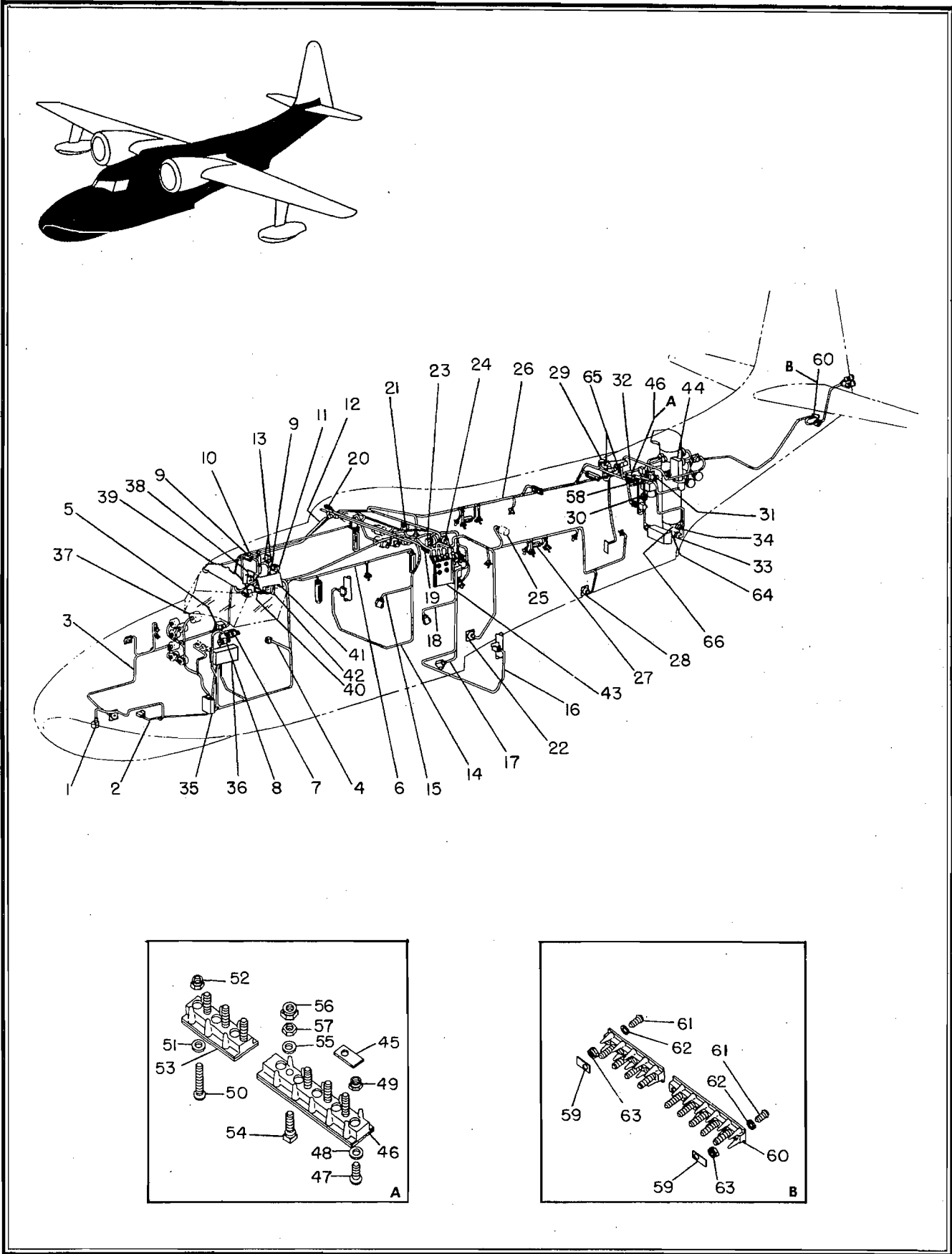


Figure 80—Electrical Installation



Figure & Index No.	Part No.	Nomenclature	Units Per Assy	Usage Code
		1 2 3 4 5 6 7		

HULL (Cont)

Elevator Tab Control Assembly (Cont)

79-23	112765	. . . Housing (iap)	1	All
		ATTACHING PARTS		
-24	AN500-4-8 Screw	2	All
-25	AN960D4 Washer	2	All
-26	AN365-440 Nut	2	All
-27	K4A Bearing (Fafnir Bearing Co.)	1	All
-28	111117	. . . Bulkhead Assembly	1	All
-29	112765	. . . Housing	1	All
-30	K4A Bearing (Fafnir Bearing Co.)	1	All
-31	111078	. . . Bulkhead	1	All

Electrical Installation

80-	110001-1	. Electrical Installation	Ref	cr
	110001-2	. Electrical Installation	Ref	bh
	110001-3	. Electrical Installation	Ref	bi
	110001-4	. Electrical Installation	Ref	aw
	110001-5	. Electrical Installation	Ref	bj
	110001-6	. Electrical Installation	Ref	ay
	110001-7	. Electrical Installation	Ref	ax
-1	110088-1	. . Cable Assembly - Nose wheel up lock switch (See Fig. 81)	1	All
-2	110088-2	. . Cable Assembly - Nose wheel down lock switch (See Fig. 82)	1	All
-3	110025-1	. . Cable Assembly - Right forward interior lights (See Fig. 85)	1	bd
	110025-2	. . Cable Assembly - Right forward interior lights (See Fig. 85)	1	be
-4	110135	. . Cable Assembly - Distribution box to wheel safety solenoid (See Fig. 83)	1	bg
-5	110048	. . Cable Assembly - Instrument junction box to compass light junction box (See Fig. 87)	1	az
-6	110026-1	. . Cable Assembly - Left forward interior lights (See Fig. 86)	1	bd
	110026-2	. . Cable Assembly - Left forward interior lights (See Fig. 86)	1	be
-7	110132-1	. . Light Assembly - Pilot's compartment instrument (See Fig. 84)	1	All
-8	110132-2	. . Light Assembly - Pilot's compartment instrument (See Fig. 84)	1	All
-9	SP2074-1	. . Shade Assembly - Pilot's compartment light (iap) (See Fig. 88)	2	cr
-10	110139-1	. . Light Assembly - Pilot's compartment dome (iap) (See Fig. 89)	1	bb
-11	110139-2	. . Light Assembly - Pilot's compartment dome (See Fig. 89)	1	bb
-12	110137-2	. . Conduit Assembly - Ignition switch to tee (See Fig. 90)	1	All
-13	110033	. . Cable Assembly - Distribution box to flare switch (See Fig. 91)	1	bf

Section II
Group Assembly Parts List



Figure & Index No.	Part No.	Nomenclature	Units							Usage Code	
			1	2	3	4	5	6	7		
HULL (Cont)											
Electrical Installation (Cont)											
80-14	110087-1	. . Cable Assembly - Right main wheel down lock switch (iap) (See Fig. 92)							1		All
-15	110088-3	. . Cable Assembly - Right main wheel up lock switch (See Fig. 93)							1		All
-16	110087-2	. . Cable Assembly - Left main wheel down lock switch (iap) (See Fig. 94)							1		All
-17	110088-5	. . Cable Assembly - Main wheel safety switch (See Fig. 95)							1		bg
-18	110088-4	. . Cable Assembly - Left main wheel up lock switch (See Fig. 96)							1		All
-19	110031-1	. . Cable Assembly - Distribution box to left fuel tank transmitter (See Fig. 97)							1		All
-20	110031-2	. . Cable Assembly - Distribution box to right fuel tank transmitter (See Fig. 97)							1		All
-21	110047	. . Cable Assembly - Distribution box to fire extinguisher automatic thermal breaker (See Fig. 98)							1		All
-22	110029-2	. . Cable Assembly - Inter-compartment light (See Fig. 99)							1		All
-23	110045-1	. . Cable Assembly - Fire extinguisher solenoid (See Fig. 100)							1		All
-24	110043	. . Cable Assembly - Cabin rheostat (See Fig. 101)							1		All
-25	110035	. . Cable Assembly - Distribution box to flap transmitter (See Fig. 102)							1		All
-26	110027-1	. . Cable Assembly - Right aft interior light (See Fig. 103)							1		i
	110027-2	. . Cable Assembly - Right aft interior light (See Fig. 103)							1		j
-27	110028-1	. . Cable Assembly - Left aft interior light (See Fig. 104)							1		All
-28	110029-1	. . Cable Assembly - Entrance step light (See Fig. 105)							1		All
-29	110044	. . Cable Assembly - Distribution box to cabin air exhaust bulb (See Fig. 106)							1		i
-30	110046-1	. . Cable Assembly - Distribution box to 400° thermo snap switch (See Fig. 107)							1		i
-31	110046-2	. . Cable Assembly - Distribution box to 400° thermo snap switch (See Fig. 107)							1		i
-32	110165	. . Cable Assembly - Distribution box to right aft fuselage (See Fig. 111)							1		j
-33	110041	. . Cable Assembly - Cabin heater equipment to cabin heater terminal block (See Fig. 109)							1		All
-34	110042	. . Cable Assembly - Cabin heater air discharge bulb to distribution box (See Fig. 108)							1		All
-35	110064	. . Box Assembly - Instrument junction (iap) (See Fig. 110)							1		All
-36	110063	. . Box Assembly - Circuit breaker (iap) (See Fig. 112)							1		All
-37	110051	. . Box Assembly - Compass light junction (iap) (See Fig. 113)							1		az
-38	110146-1	. . Panel Assembly - Right auxiliary switch (iap) (See Fig. 116)							1		bl
	110146-2	. . Panel Assembly - Right auxiliary switch (iap) (See Fig. 117)							1		ab
-39	110021-2	. . Panel Assembly - Distribution switch (iap) (See Fig. 114)							1		bm
	110022-1	. . Panel Assembly - Distribution switch (iap) (See Fig. 115)							1		bi
	110022-2	. . Panel Assembly - Distribution switch (iap) (See Fig. 115)							1		aw
	110022-3	. . Panel Assembly - Distribution switch (iap) (See Fig. 115)							1		ay
	110022-4	. . Panel Assembly - Distribution switch (iap) (See Fig. 115)							1		ax
-40	110145-1	. . Sign Assembly - Cabin passenger safety (See Fig. 118)							1		k
-41	110119-1	. . Panel Assembly - Pilot's compartment terminal (See Fig. 119)							1		bj
	110119-2	. . Panel Assembly - Pilot's compartment terminal (See Fig. 119)							1		bn



Section II
Group Assembly Parts List

Figure & Index No.	Part No.	Nomenclature	Units Per Assy	Usage Code
		1 2 3 4 5 6 7		
		HULL (Cont)		
		Electrical Installation (Cont)		
80-	110119-3	. . Panel Assembly - Pilot's compartment terminal (See Fig. 119)	1	bo
-42	110147-1	. . Panel Assembly - Left auxiliary switch (iap) (See Fig. 122)	1	k
-43	110056-2	. . Box Assembly and Installation - Main distribution (See Fig. 120)	1	bp
	110056-3	. . Box Assembly and Installation - Main distribution (See Fig. 120)	1	bq
	110056-4	. . Box Assembly and Installation - Main distribution (See Fig. 120)	1	br
	110056-5	. . Box Assembly and Installation - Main distribution (See Fig. 120)	1	bs
	110056-6	. . Box Assembly and Installation - Main distribution (See Fig. 120)	1	bt
	110056-7	. . Box Assembly and Installation - Main distribution (See Fig. 120)	1	bu
	110072-1	. . Box Assembly and Installation - Main distribution (See Fig. 121)	1	bw
	110072-2	. . Box Assembly and Installation - Main distribution (See Fig. 121)	1	bx
	110072-3	. . Box Assembly and Installation - Main distribution (See Fig. 121)	1	by
-44	110144-1	. . Box Assembly - Spare lamp (iap) (See Fig. 124)	1	bv
-45	G158-1-6	. . Strip	1	i
-46	G154-A8	. . Panel - Heater connector (iap)	1	i
		ATTACHING PARTS		
-47	AN515-4-6	. . . Screw	1	i
-48	AN960D4	. . . Washer	1	i
-49	AN365-440	. . . Nut	1	i
-50	AN515-6-16	. . . Screw	1	i
-51	AN960D6	. . . Washer	1	i
-52	AN365-632	. . . Nut	1	i
-53	G153-41-2	. . Strip	1	i
-54	G157-6-12	. . Screw	7	i
-55	AN960-6	. . Washer	8	i
-56	AN365-632	. . Nut	8	i
-57	AN340-632	. . Nut	8	i
-58	110151-1	. . Panel Assembly - Cabin heater terminal (See Fig. 123)	1	j
-59	G158-1	. . Strip	2	All
-60	G159-A2-12	. . Panel - Tail light terminal (iap)	1	All
		ATTACHING PARTS		
-61	AN515-4-6	. . . Screw	2	All
-62	AN960D4	. . . Washer	2	All
-63	AN365-440	. . . Nut	2	All
-64	AYLF-2336	. . Element - Temperature (Barber-Colman Co.)	1	All
		ATTACHING PARTS		
-64	AN515-6-8	. . Screw	4	All
-65	AYLF-2242	. . Element - Temperature (Barber-Colman Co.)	2	All
		ATTACHING PARTS		
-65	AN515-6-6	. . Screw	4	All

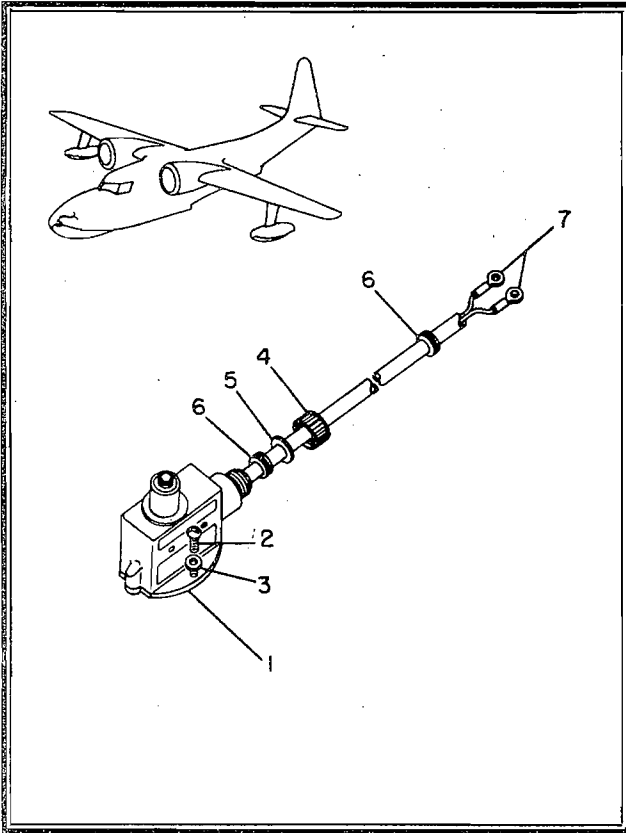


Figure 81—Nose Wheel Up Lock Switch Cable Assembly

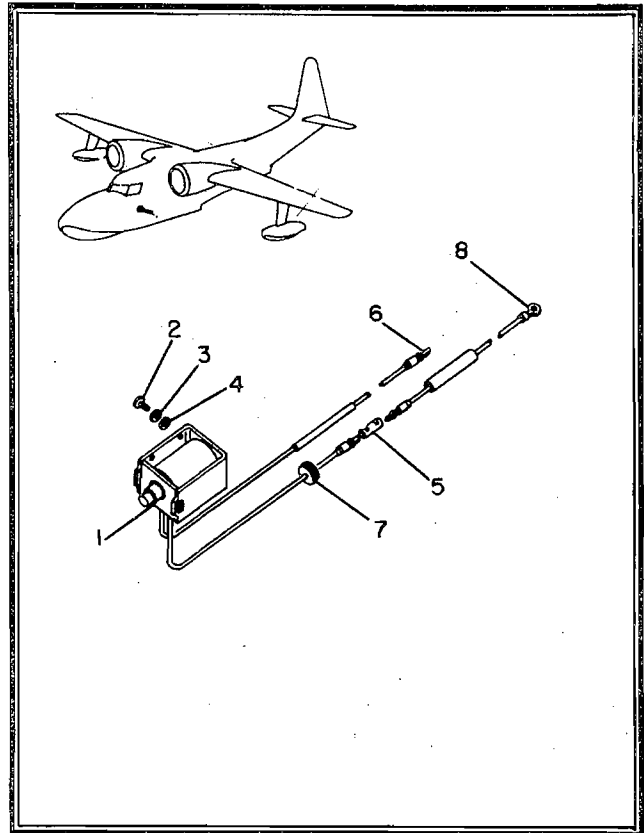


Figure 83—Distribution Box to Wheel Safety Solenoid Cable Assembly

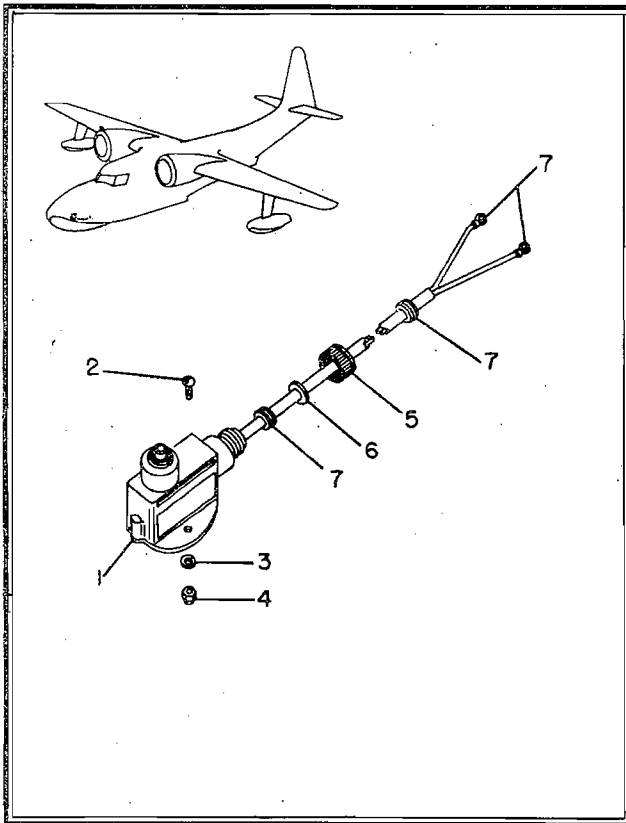


Figure 82—Nose Wheel Down Lock Switch Cable Assembly

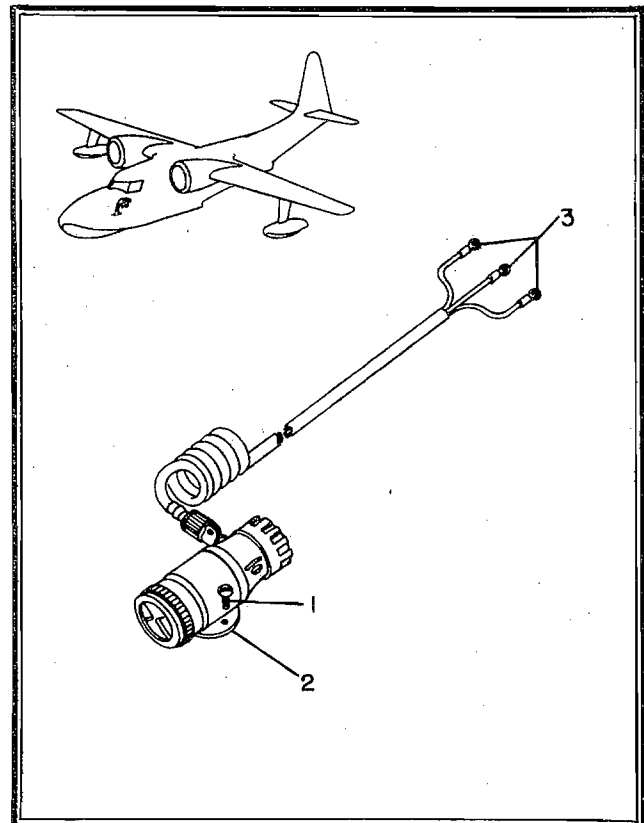


Figure 84—Pilot's Compartment Instrument Lights Assembly



Figure & Index No.	Part No.	Nomenclature	1 2 3 4 5 6 7	Units Per Assy	Usage Code
-----------------------	----------	--------------	---------------	-------------------	---------------

HULL (Cont)

Electrical Installation (Cont)

80-65	AN960D6L	. . Washer		4	All
-65	AN365-632	. . Nut		4	All
-66	AYLF-2199-1	. . Element - Temperature (Barber-Colman Co.)		1	All
		ATTACHING PARTS			
-66	AN515-6-8	. . Screw		4	All

Nose Wheel Up Lock Switch Cable Assembly

81-	110088-1	. . Cable Assembly - Nose wheel up lock switch (See Fig. 80-1)		Ref	All
-1	YZV-7RNTN-4	. . . Switch (Micro-Switch Division, First Industrial Corp.)		1	All
		ATTACHING PARTS			
-2	AN515-8-8	. . . Screw		2	All
-3	AN960D8	. . . Washer		2	All
-4	AN3054-6	. . . Nut		1	All
-5	110085	. . . Washer		1	All
-6	AN931-4-7	. . . Grommet		2	All
-7	31889	. . . Terminal (Aircraft Marine Products, Inc.)		2	All

Nose Wheel Down Lock Switch Cable Assembly

82-	110088-2	. . Cable Assembly - Nose wheel down lock switch (See Fig. 80-2)		Ref	All
-1	YZV-7RNTN-4	. . . Switch (Micro Switch Division, First Industrial Corp.)		1	All
		ATTACHING PARTS			
-2	AN515-8-8	. . . Screw		2	All
-3	AN960D8	. . . Washer		2	All
-4	AN365-832	. . . Nut		2	All
-5	AN3054-6	. . . Nut		1	All
-6	110085	. . . Washer		1	All
-7	AN931-4-7	. . . Grommet		2	All
-8	31889	. . . Terminal (Aircraft Marine Products, Inc.)		2	All

Section II
Group Assembly Parts List

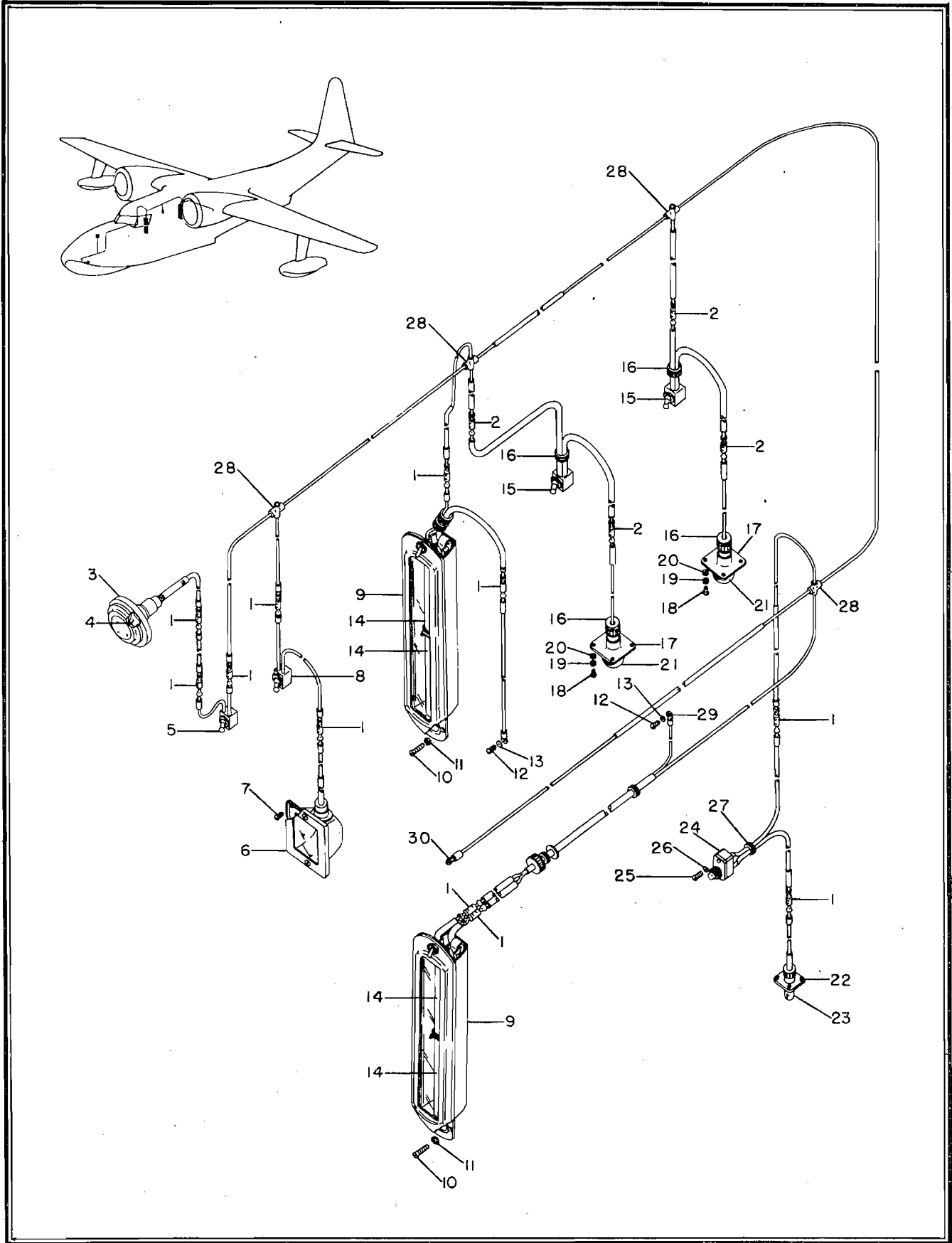


Figure 85—Right Forward Interior Lights Cable Assembly



Figure & Index No.	Part No.	Nomenclature 1 2 3 4 5 6 7	Units Per Assy	Usage Code
-----------------------	----------	-------------------------------	-------------------	---------------

HULL (Cont)

Distribution Box to Wheel Safety Solenoid Cable Assembly

83-	110135	. . Cable Assembly - Distribution box to wheel safety solenoid (See Fig. 80-4)	Ref	i
-1	APX-5	. . . Solenoid (Allied Control Co., Inc.)	1	i
ATTACHING PARTS				
-2	AN515-6-4	. . . Screw	4	i
-3	AN960D6	. . . Washer	4	i
-4	AN935-6	. . . Washer	4	i
-5	AN753-1	. . . Splice Assembly - Disconnect	1	i
-6	AN753A1	. . . Tip - Splice disconnect	1	i
-7	AN931-3-9	. . . Grommet	1	i
-8	31889	. . . Terminal (Aircraft Marine Products, Inc.)	1	i

Pilot's Compartment Instrument Lights Assembly

84-	110132-1	. . Light Assembly - Pilot's compartment instrument left (See Fig. 80-7)	Ref	All
	110132-2	. . Light Assembly - Pilot's compartment instrument right (See Fig. 80-8)	Ref	All
-1	B2930-A-1	. . . Light (Grimes Manufacturing Co.)	1	All
ATTACHING PARTS				
-2	AN526-6-8	. . . Screw	4	All
-3	31889	. . . Terminal (Aircraft Marine Products, Inc.)	3	All

Right Forward Interior Lights Cable Assembly

85-	110025-1	. . Cable Assembly - Right forward interior lights (See Fig. 80-3)	Ref	bd
	110025-2	. . Cable Assembly - Right forward interior lights (See Fig. 80-3)	Ref	be
-1	AN753-1	. . . Splice Assembly - Disconnect	11	All
-2	AN753-1	. . . Splice Assembly - Disconnect	4	bd
-3	A-3640	. . . Light - Nose wheel well watertight (Grimes Manufacturing Co.)	1	All
-4	303	. . . Lamp - Nose wheel well (General Electric Co.)	1	All
-5	111	. . . Switch - Nose wheel light (Carling Electric Co., Inc.)	1	All
-6	B-3550	. . . Light - Bow compartment dome (Grimes Manufacturing Co.)	1	All
ATTACHING PARTS				
-7	AN515-6-8	. . . Screw	4	All
-8	111	. . . Switch - Bow compartment light (Carling Electric Co., Inc.)	1	All
-9	D-3540	. . . Light - Forward cabin column (Grimes Manufacturing Co.)	2	All
ATTACHING PARTS				
-10	AN505-6-12	. . . Screw	12	All

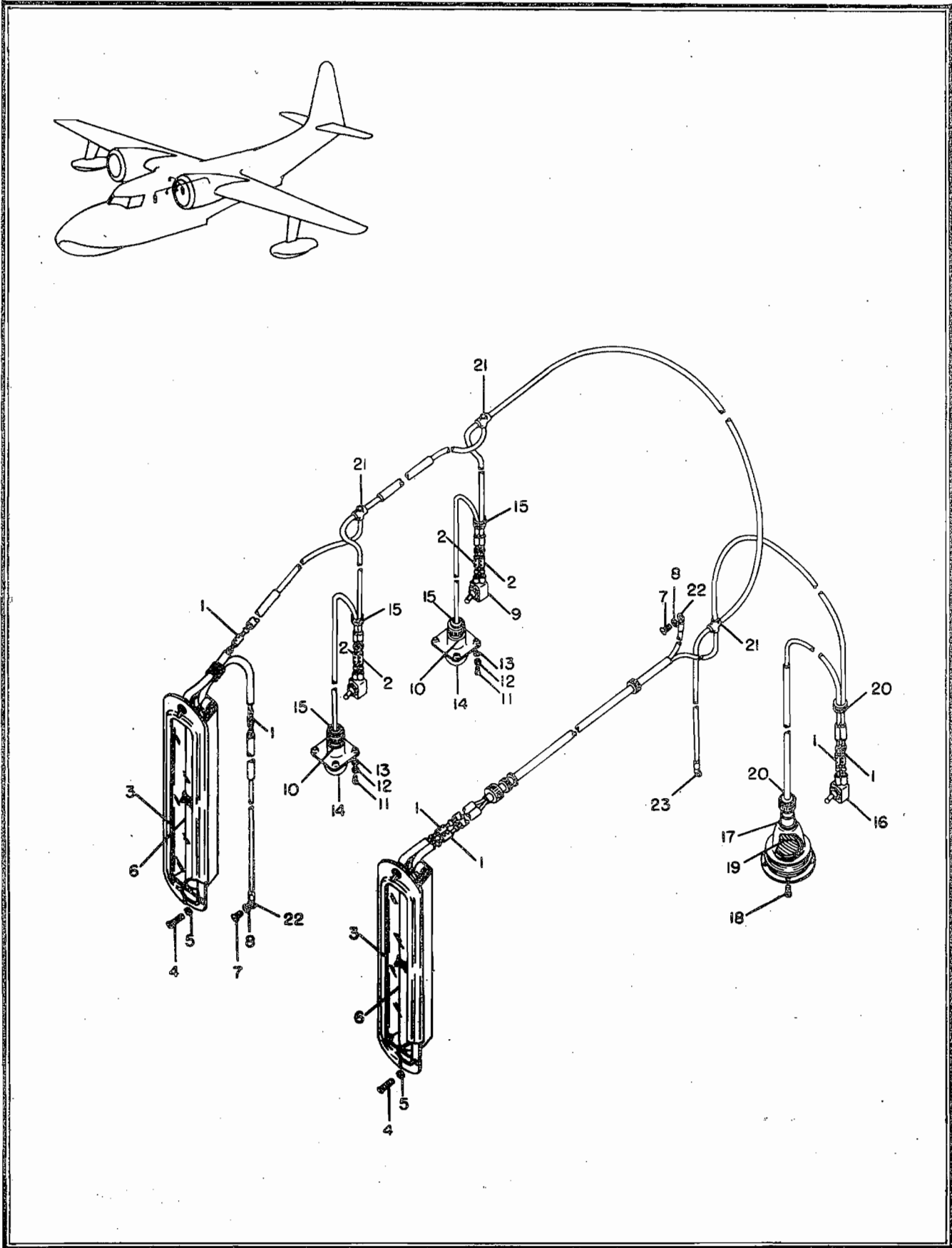


Figure 86—Left Forward Interior Lights Cable Assembly



Figure & Index No.	Part No.	Nomenclature 1 2 3 4 5 6 7	Units Per Assy	Usage Code
-----------------------	----------	-------------------------------	-------------------	---------------

HULL (Cont)

Right Forward Interior Lights Cable Assembly (Cont)

85-11	AN936C6	. . . Washer	12	All
-12	AN530-6-6	. . . Screw	2	All
-13	AN960D6	. . . Washer	2	All
-14	201F	. . . Lamp - Lumaline 20W28V (General Electric Co.)	4	All
-15	111	. . . Switch - Window light (Carling Electric Co., Inc.)	2	bd
-16	AN931-4-7	. . . Grommet	4	bd
-17	A-3497-2	. . . Light - Forward cabin window (Grimes Manufacturing Co.)	2	bd
ATTACHING PARTS				
-18	AN530-6-4	. . . Screw	4	bd
-19	AN960D6	. . . Washer	4	bd
-20	AN935-6	. . . Washer	4	bd
-21	1524	. . . Lamp - Forward cabin window (Grimes Manufacturing Co.)	2	bd
-22	AN3034-1	. . . Light - Water cabinet	1	All
-23	313R	. . . Lamp - Water cabinet (General Electric Co.)	1	All
-24	WP-3	. . . Switch - Water cabinet light (Micro Switch Division, First Industrial Corp.)	1	All
ATTACHING PARTS				
-25	AN515-6-6	. . . Screw	2	All
-26	AN935-6	. . . Washer	2	All
-27	AN931-35	. . . Grommet	1	All
-28	31714	. . . Terminal - Four way (Aircraft Marine Products, Inc.)	4	All
-29	31889	. . . Terminal (Aircraft Marine Products, Inc.)	4	All
-30	31900	. . . Terminal (Aircraft Marine Products, Inc.)	1	All

Left Forward Interior Lights Cable Assembly

86-	110026-1	. . Cable Assembly - Left forward interior lights (See Fig. 80-6)	Ref	bd
	110026-2	. . Cable Assembly - Left forward interior lights (See Fig. 80-6)	Ref	be
-1	AN753-1	. . . Splice Assembly - Disconnect	6	All
-2	AN753-1	. . . Splice Assembly - Disconnect	4	bd
-3	D-3540	. . . Light - Forward cabin column (Grimes Manufacturing Co.)	2	All
ATTACHING PARTS				
-4	AN505-6-12	. . . Screw	6	All
-5	AN936C6	. . . Washer	6	All
-6	201F	. . . Lamp - Lumaline 20W28V (General Electric Co.)	4	All
-7	AN530-6-6	. . . Screw	2	All
-8	AN960C6	. . . Washer	2	All
-9	111	. . . Switch - Window (Carling Electric Co., Inc.)	2	bd
-10	A-3497-2	. . . Light - Forward cabin window (Grimes Manufacturing Co.)	2	bd
ATTACHING PARTS				
-11	AN530-6-4	. . . Screw	4	bd

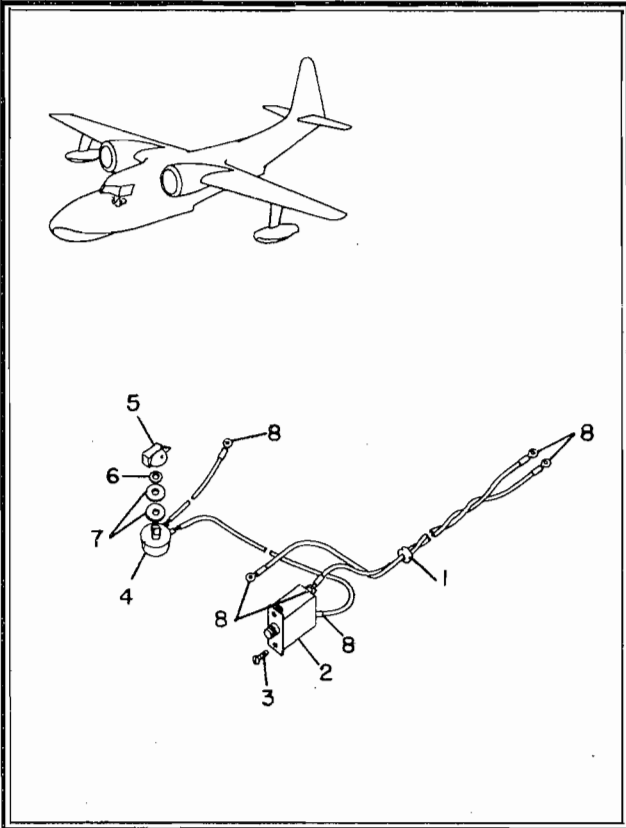


Figure 87—Instrument Junction Box to Compass Light Junction Box Cable Assembly

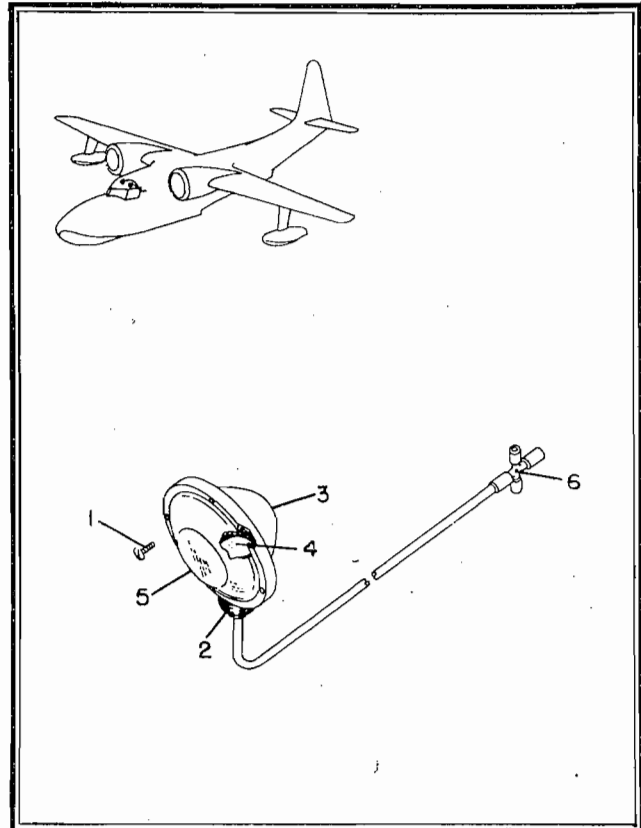


Figure 89—Pilot's Compartment Dome Light Assemblies

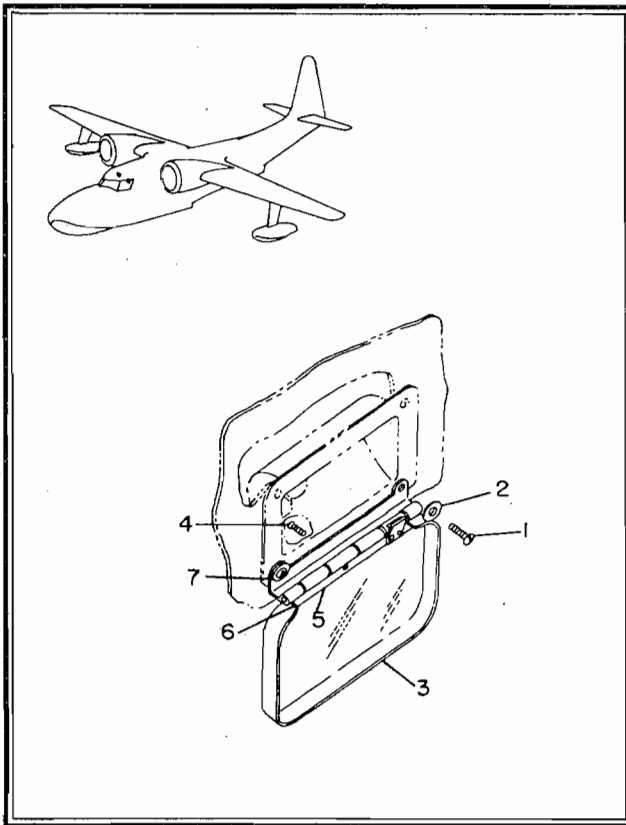


Figure 88—Pilot's Compartment Lights Shade Assembly

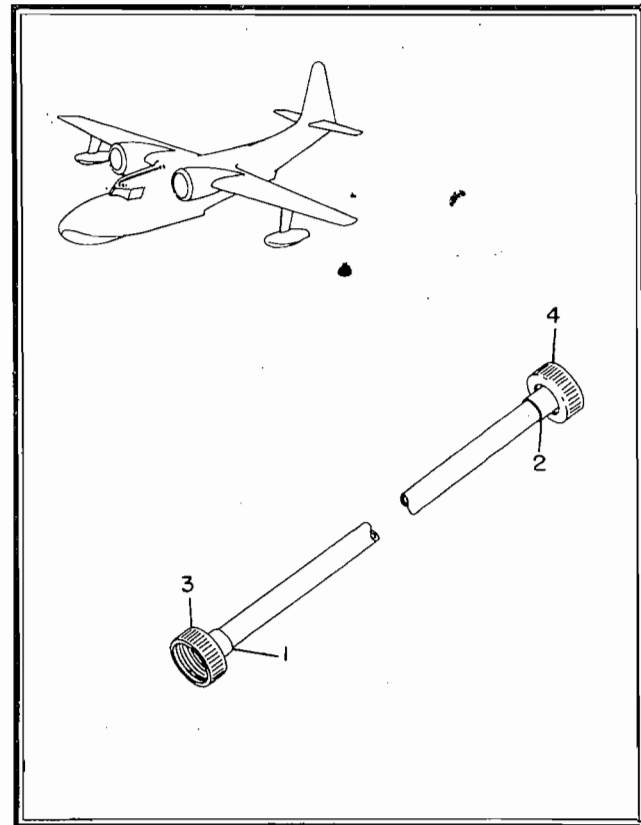


Figure 90—Ignition Switch to Tee Conduit Assembly



Section II
Group Assembly Parts List

Figure & Index No.	Part No.	Nomenclature	1 2 3 4 5 6 7	Units Per Assy	Usage Code
-----------------------	----------	--------------	---------------	-------------------	---------------

HULL (Cont)

Left Forward Interior Lights Cable Assembly (Cont)

86-12	AN960D6	. . . Washer		4	bd
-13	AN935-6	. . . Washer		4	bd
-14	1524	. . . Lamp - Forward cabin window (Grimes Manufacturing Co.)		2	bd
-15	AN931-4-7	. . . Grommet		4	bd
-16	111	. . . Switch - Window spot light (Carling Electric Co., Inc.)		1	All
-17	A-3675	. . . Spot Light - Table (Grimes Manufacturing Co.)		1	All
		ATTACHING PARTS			
-18	AN526-632-8	. . . Screw		4	All
-19	1385	. . . Lamp - Spot light (General Electric Co.)		1	All
-20	AN931-4-7	. . . Grommet		2	All
-21	31714	. . . Terminal - Four way (Aircraft Marine Products, Inc.)		3	All
-22	31889	. . . Terminal (Aircraft Marine Products, Inc.)		2	All
-23	31900	. . . Terminal (Aircraft Marine Products, Inc.)		1	All

Instrument Junction Box to Compass Light Junction Box Cable Assembly

87-	110048	. . Cable Assembly - Instrument junction box to compass light junction box (See Fig. 80-5)		Ref	az
-1	AN931-2-9	. . . Grommet		1	az
-2	D6751-1-5	. . . Breaker - Circuit (Spencer Thermostat Co.)		1	az
		ATTACHING PARTS			
-3	AN526-632-8	. . . Screw		2	az
-4	10 WATT 140 OHM	. . . Rheostat (Wirt Co.)		1	az
-5	5116	. . . , Knob		1	az
-6	111825-1 Spacer		2	az
-7	111825-2 Spacer		1	az
-8	31889 Terminal (Aircraft Marine Products, Inc.)		6	az

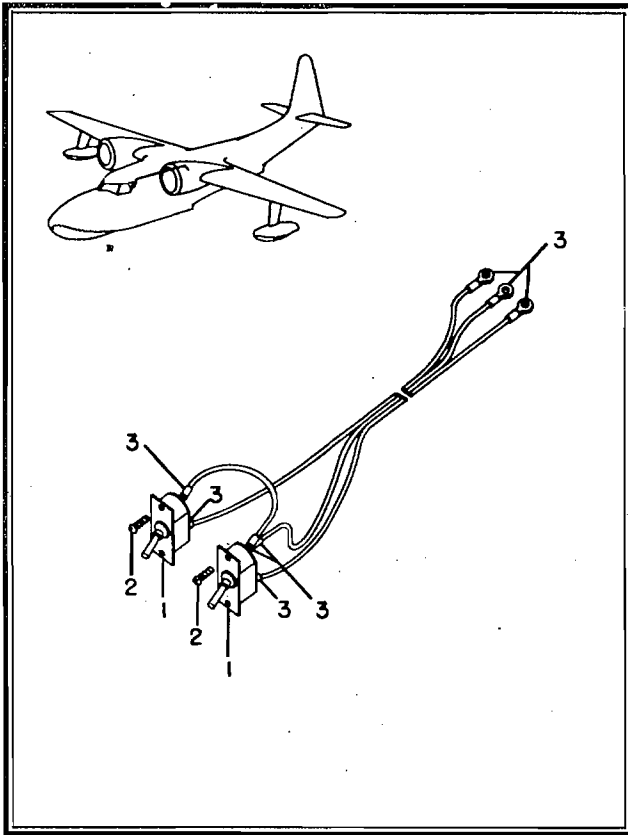


Figure 91—Distribution Box to Flare Switch Cable Assembly

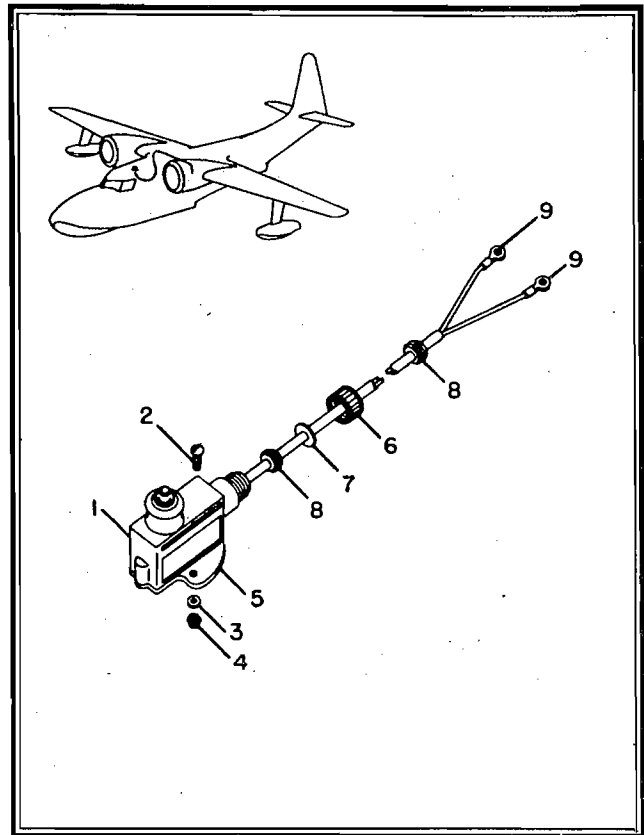


Figure 93—Right Main Wheel Up Lock Switch Cable Assembly

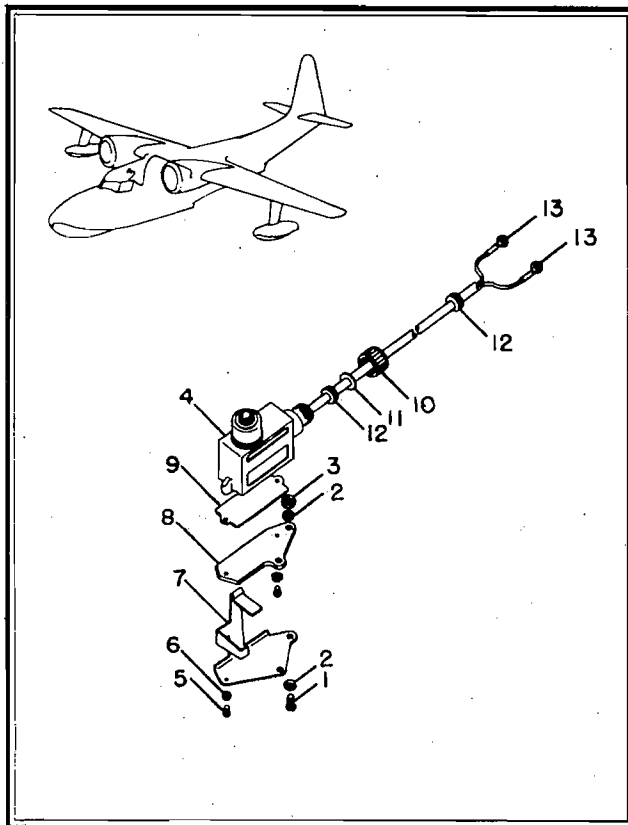


Figure 92—Right Main Wheel Down Lock Switch Cable Assembly

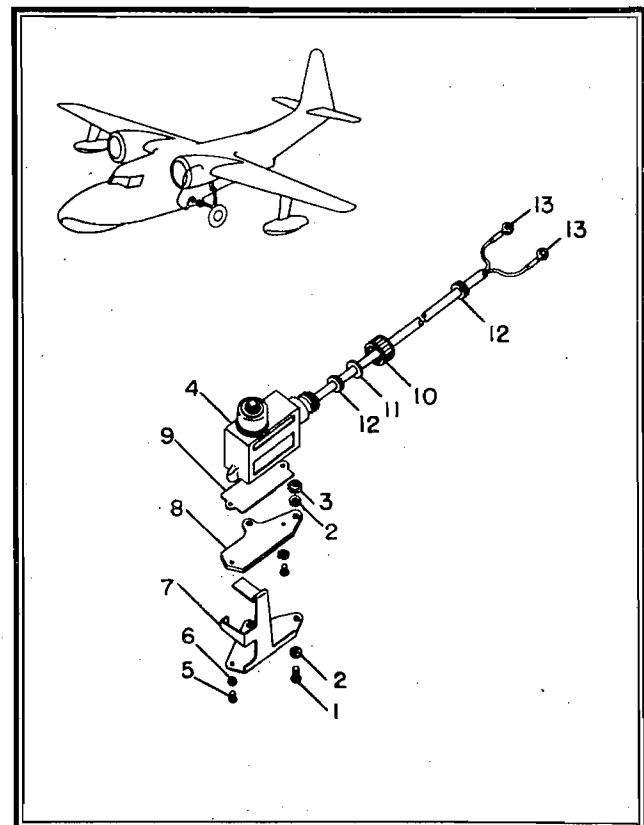


Figure 94—Left Main Wheel Down Lock Switch Cable Assembly



Section II
Group Assembly Parts List

Figure & Index No.	Part No.	Nomenclature 1 2 3 4 5 6 7	Units Per Assy	Usage Code
-----------------------	----------	-------------------------------	-------------------	---------------

HULL (Cont)

Pilot's Compartment Lights Shade Assembly

88-	SP2074-1	. . Shade Assembly - Pilot's compartment lights (iap) (See Fig. 80-9)	Ref	cr
		ATTACHING PARTS		
-1	AN515-6-7	. . . Screw	2	cr
-2	AN960D6	. . . Washer	2	cr
-3	SP2074-2	. . . Shade - Plexiglass (iap)	1	cr
		ATTACHING PARTS		
-4	AN505B2-4 Screw	3	cr
-5	SP2074-5	. . . Plate - Tapping	1	cr
-6	SP2074-3	. . . Hinge	1	cr
-7	SP2074-4	. . . Hinge	1	cr

Pilot's Compartment Dome Light Assemblies

89-	110139-1	. . Light Assembly - Pilot's compartment left dome (iap) (See Fig. 80-10)	Ref	bb
	110139-2	. . Light Assembly - Pilot's compartment right dome (iap) (See Fig. 80-11)	Ref	bb
		ATTACHING PARTS		
-1	AN515-6-8	. . . Screw	4	bb
-2	G355-1	. . . Boot	1	bb
-3	B-3550	. . . Light (Grimes Manufacturing Co.)	1	bb
-4	303	. . . Lamp (General Electric Co.)	1	bb
-5	A3701	. . . Shutter (Grimes Manufacturing Co.)	1	bb
-6	31714	. . . Terminal - Four way (Aircraft Marine Products, Inc.) (Used on left light only)	1	bb

Ignition Switch to Tee Conduit Assembly

90-	110137-2	. . Conduit Assembly - Ignition switch to tee (See Fig. 80-12)	Ref	All
-1	AN3050-6	. . . Ferrule	1	All
-2	AN3051-6	. . . Ferrule	1	All
-3	AN3054-6	. . . Nut	1	All
-4	AN3054-8	. . . Nut	1	All

Section II
Group Assembly Parts List



Figure & Index No.	Part No.	Nomenclature							Units Per Assy	Usage Code
		1	2	3	4	5	6	7		
HULL (Cont)										
Distribution Box to Flare Switch Cable Assembly										
91-	110033	. . .	Cable Assembly - Distribution box to flare switch (See Fig. 80-13)							
-1	AN3022-8	. . .	Switch					Ref	2	bf
-2	AN515-6-8	. . .	Screw					4		bf
-3	31900	. . .	Terminal (Aircraft Marine Products, Inc.)					8		bf
Right Main Wheel Down Lock Switch Cable Assembly										
92-	110087-1	. . .	Cable Assembly - Right main wheel down lock switch (iap) (See Fig. 80-14)					Ref		All
ATTACHING PARTS										
-1	AN515-8-8	. . .	Screw					2		All
-2	AN960D8	. . .	Washer					4		All
-3	AN365-832	. . .	Nut					2		All
-4	YZV-7RNTN-4	. . .	Switch (Micro Switch Division, First Industrial Corp.)					1		All
ATTACHING PARTS										
-5	AN515-6-8	. . .	Screw					1		All
-6	AN935-6	. . .	Washer					1		All
-7	G103-115	. . .	Spring					1		All
-8	110086	. . .	Base					1		All
-9	110089	. . .	Gasket					1		All
-10	AN3054-6	. . .	Nut					1		All
-11	110085	. . .	Washer					1		All
-12	AN931-4-7	. . .	Grommet					2		All
-13	31889	. . .	Terminal (Aircraft Marine Products, Inc.)					2		All
Right Main Wheel Up Lock Switch Cable Assembly										
93-	110088-3	. . .	Cable Assembly - Right main wheel up lock switch (See Fig. 80-15)					Ref		All
-1	YZV-7RNTN-4	. . .	Switch Assembly - (Micro Switch Division, First Industrial Corp.)					1		All
ATTACHING PARTS										
-2	AN515-8-10	. . .	Screw					2		All
-3	AN960D8	. . .	Washer					2		All
-4	AN365-832	. . .	Nut					1		All
-5	110090	. . .	Base (Reworked from base furnished with switch Index No. 1 above)					1		All
-6	AN3054-6	. . .	Nut					1		All
-7	110085	. . .	Washer					1		All
-8	AN931-4-7	. . .	Grommet					2		All
-9	31889	. . .	Terminal (Aircraft Marine Products, Inc.)					2		All



Section II
Group Assembly Parts List

Figure & Index No.	Part No.	Nomenclature							Units Per Assy	Usage Code
		1	2	3	4	5	6	7		

HULL (Cont)

Left Main Wheel Down Lock Switch Cable Assembly

94-	110087-2	. . . Cable Assembly - Left main wheel down lock switch (iap) (See Fig. 80-16)							Ref	All
		ATTACHING PARTS								
-1	AN515-8-8	. . . Screw							2	All
-2	AN960D8	. . . Washer							4	All
-3	AN365-832	. . . Nut							2	All
-4	YZV-7RNTN-4	. . . Switch (Micro Switch Division, First Industrial Corp.)							1	All
		ATTACHING PARTS								
-5	AN515-6-8	. . . Screw							1	All
-6	AN935-6	. . . Washer							1	All
-7	G103-115	. . . Spring							1	All
-8	110086	. . . Base							1	All
-9	110089	. . . Gasket							1	All
-10	AN3054-6	. . . Nut							1	All
-11	110085	. . . Washer							1	All
-12	AN931-4-7	. . . Grommet							2	All
-13	31889	. . . Terminal (Aircraft Marine Products, Inc.)							2	All

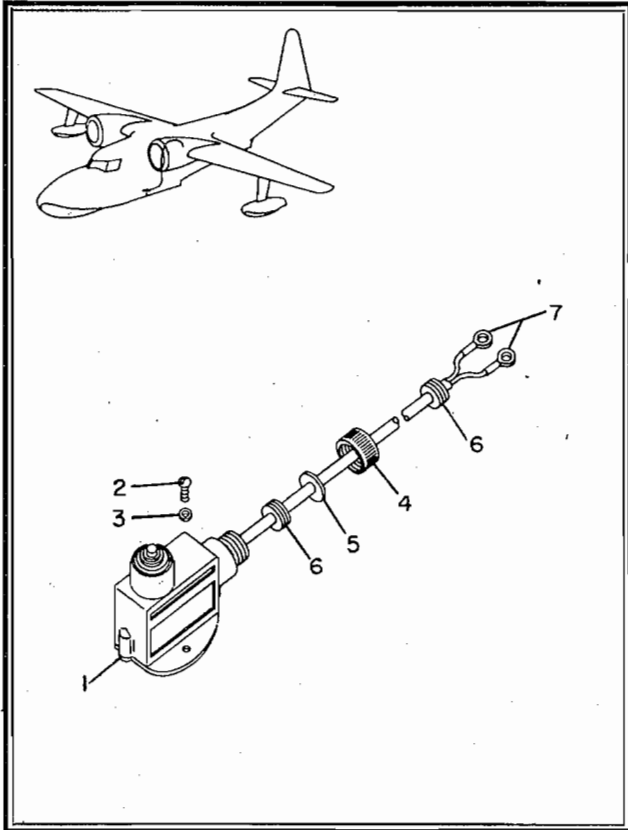


Figure 95—Main Wheel Safety Switch Cable Assembly

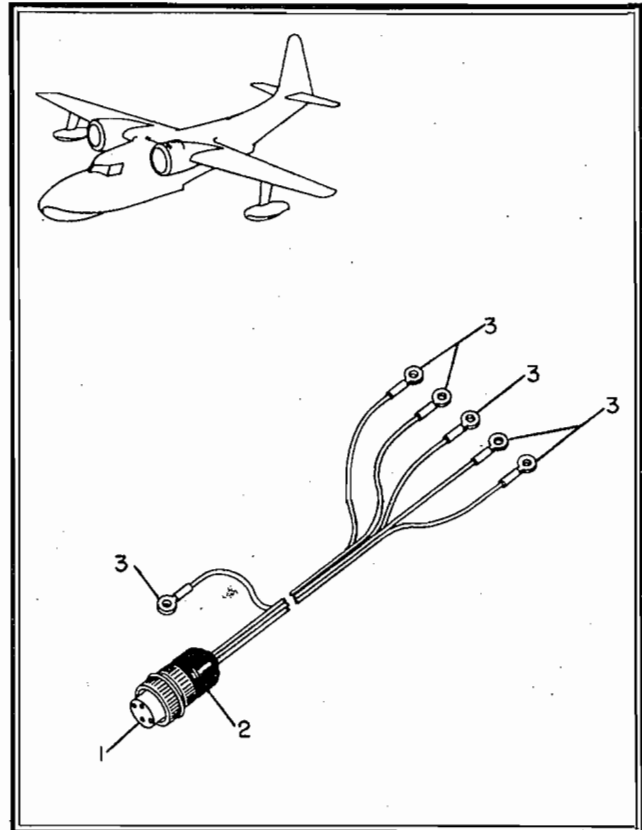


Figure 97—Distribution Box to Fuel Tank Transmitter Cable Assembly

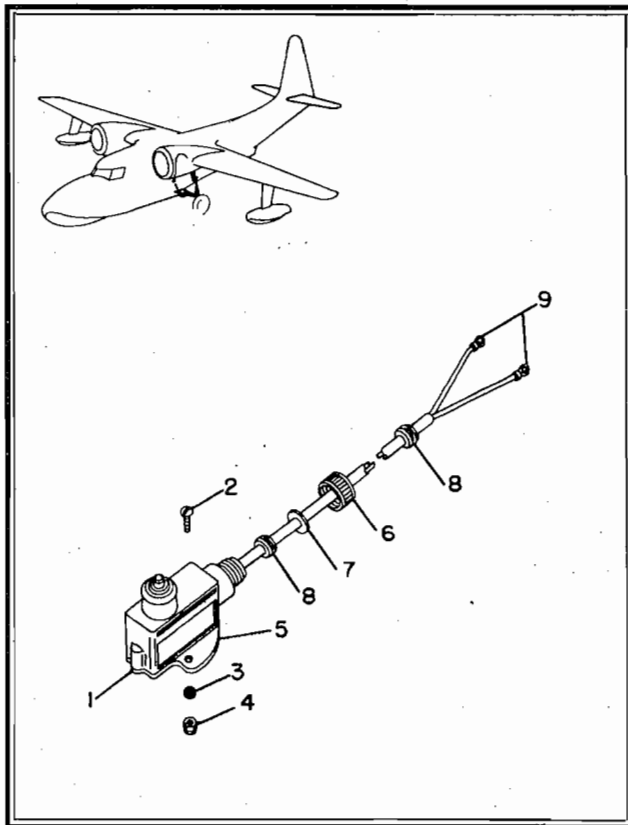


Figure 96—Left Main Wheel Up Lock Switch Cable Assembly

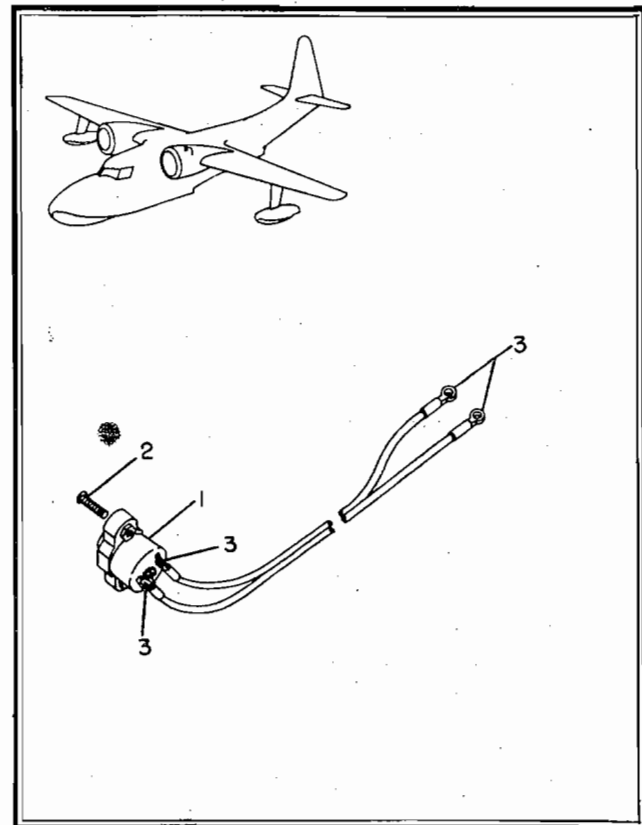


Figure 98—Distribution Box to Fire Extinguisher Automatic Thermal Breaker Cable Assembly



Section II
Group Assembly Parts List

Figure & Index No.	Part No.	Nomenclature	Units Per Assy	Usage Code
		1 2 3 4 5 6 7		
HULL (Cont)				
Main Wheel Safety Switch Cable Assembly				
95-	110088-5	. . . Cable Assembly - Main wheel safety switch (See Fig. 80-17)	Ref	bg
-1	YZV-7RNTN	. . . Switch (Micro Switch Division, First Industrial Corp.)	1	bg
ATTACHING PARTS				
-2	AN515-8-8	. . . Screw	2	bg
-3	AN960D8	. . . Washer	2	bg
-4	AN3054-6	. . . Nut	1	bg
-5	110085	. . . Washer	1	bg
-6	AN931-4-7	. . . Grommet	2	bg
-7	31889	. . . Terminal (Aircraft Marine Products, Inc.)	2	bg
Left Main Wheel Up Lock Switch Cable Assembly				
96-	110088-4	. . . Cable Assembly - Left main wheel up lock switch (See Fig. 80-18)	Ref	All
-1	YZV-7RNTN-4	. . . Switch Assembly (Micro Switch Division, First Industrial Corp.)	1	All
ATTACHING PARTS				
-2	AN515-8-10	. . . Screw	2	All
-3	AN960D8	. . . Washer	2	All
-4	AN365-832	. . . Nut	2	All
-5	110090	. . . Base (Reworked from base furnished with switch Index No. 1 above)	1	All
-6	AN3054-6	. . . Nut	1	All
-7	110085	. . . Washer	1	All
-8	AN931-4-7	. . . Grommet	2	All
-9	31889	. . . Terminal (Aircraft Marine Products, Inc.)	2	All
Distribution Box to Fuel Tank Transmitter Cable Assembly				
97-	110031-1	. . . Cable Assembly - Distribution box to left fuel tank transmitter (See Fig. 80-17)	Ref	All
	110031-2	. . . Cable Assembly - Distribution box to right fuel tank transmitter (See Fig. 80-17)	Ref	All
-1	AN3106-14S-2S	. . . Plug	1	All
-2	G355-2	. . . Boot	1	All
-3	31889	. . . Terminal (Aircraft Marine Products, Inc.)	6	All

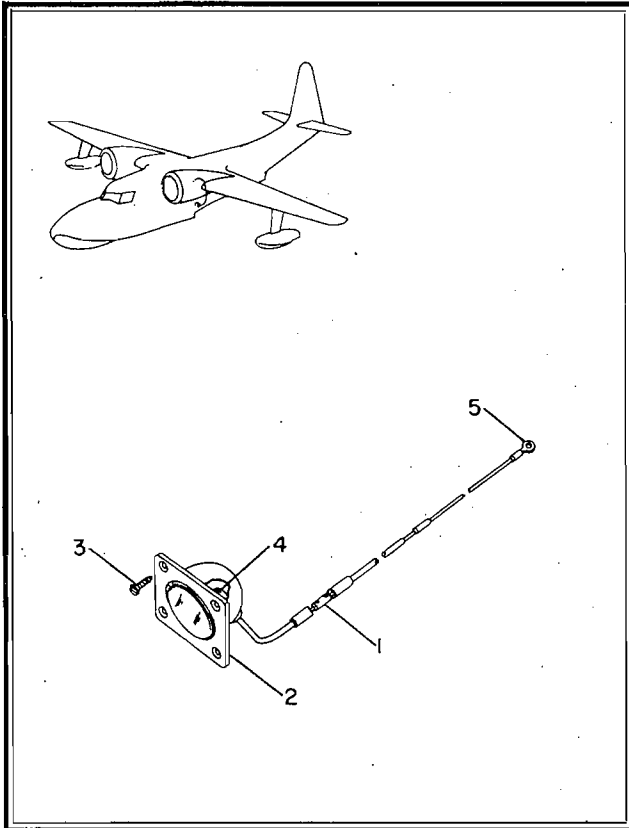


Figure 99—Inter-Compartment Light Cable Assembly

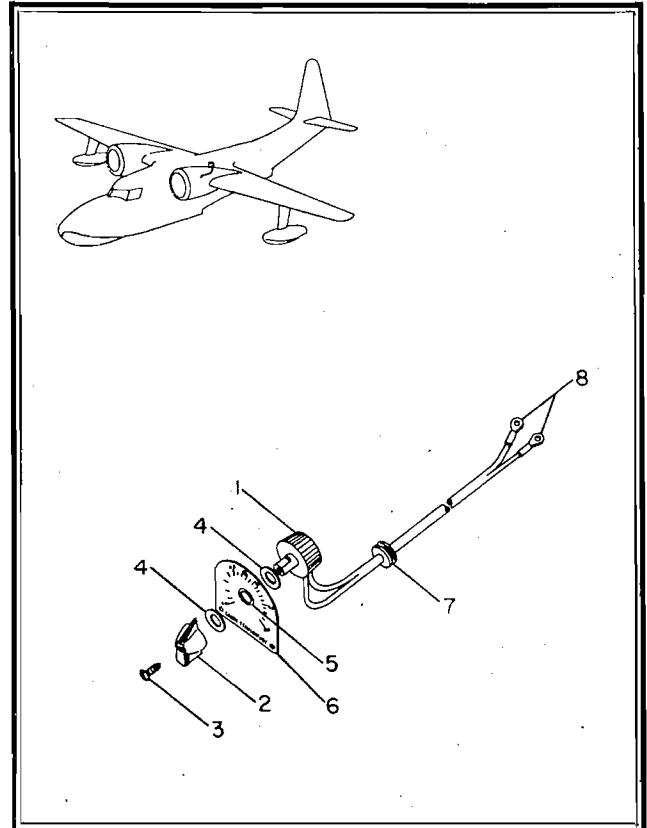


Figure 101—Cabin Rheostat Cable Assembly

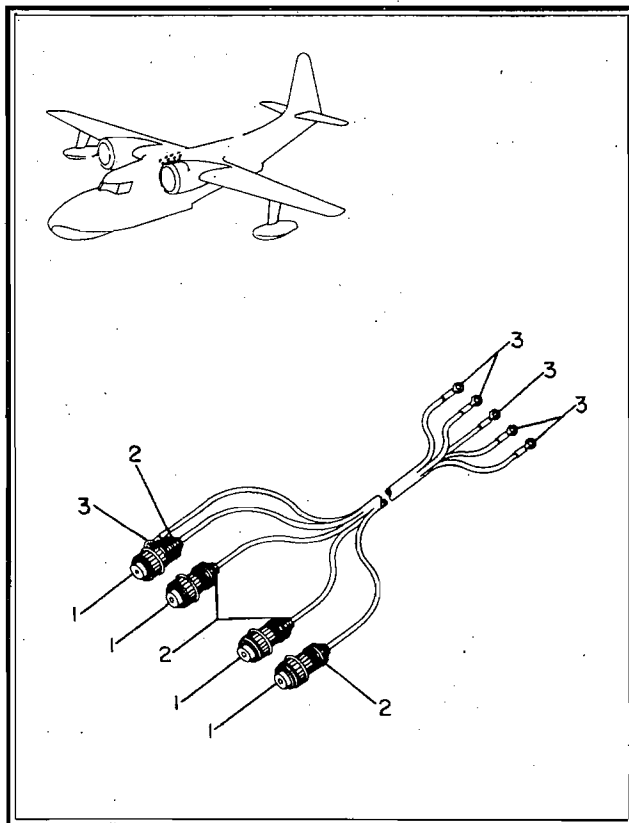


Figure 100—Fire Extinguisher Solenoid Cable Assembly

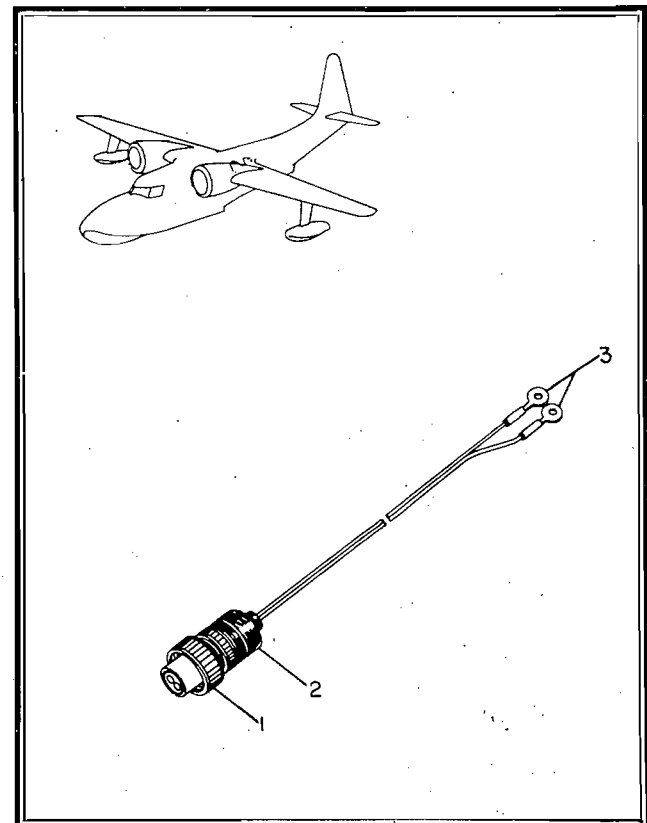


Figure 102—Distribution Box to Flap Transmitter Cable Assembly



Section II
Group Assembly Parts List

Figure & Index No.	Part No.	Nomenclature 1 2 3 4 5 6 7	Units Per Assy	Usage Code
-----------------------	----------	-------------------------------	-------------------	---------------

HULL (Cont)

Distribution Box to Fire Extinguisher Automatic Thermal Breaker Cable Assembly

98-	110047	. . Cable Assembly - Distribution box to fire extinguisher automatic thermal breaker (See Fig. 80-21)	Ref	All
-1	NAF1131-5	. . . Circuit Breaker	1	All
ATTACHING PARTS				
-2	AN515-6-10	. . . Screw	2	All
-3	31889	. . . Terminal (Aircraft Marine Products, Inc.)	4	All

Inter-Compartment Light Cable Assembly

99-	110029-2	. . Cable Assembly - Inter-Compartment light (See Fig. 80-22)	Ref	All
-1	AN753-1	. . . Splice Assembly - Disconnect	1	All
-2	A-3585	. . . Light (Grimes Manufacturing Co.)	1	All
ATTACHING PARTS				
-3	AN505-6-8	. . . Screw	4	All
-4	313	. . . Lamp (General Electric Co.)	1	All
-5	31889	. . . Terminal (Aircraft Marine Products, Inc.)	1	All

Fire Extinguisher Solenoid Cable Assembly

100-	110045-1	. . Cable Assembly - Fire extinguisher solenoid (See Fig. 80-23)	Ref	All
-1	AN3106-12S-4S	. . . Plug	4	All
-2	G355-1	. . . Boot	4	All
-3	31889	. . . Terminal (Aircraft Marine Products, Inc.)	6	All

Cabin Rheostat Cable Assembly

101-	110043	. . Cable Assembly - Cabin rheostat (See Fig. 80-24)	Ref	All
-1	10 WATT-250 OHM	. . . Rheostat (Wirt Co.)	1	All
-2	5116	. . . Knob	1	All
ATTACHING PARTS				
-3	AN526-632-8	. . . Screw	3	All
-4	111825-1	. . . Spacer	2	All
-5	111825-2	. . . Spacer	1	All
-6	110105	. . . Dial	1	All
-7	AN931-3-9	. . . Grommet	1	All
-8	31889	. . . Terminal (Aircraft Marine Products, Inc.)	2	All

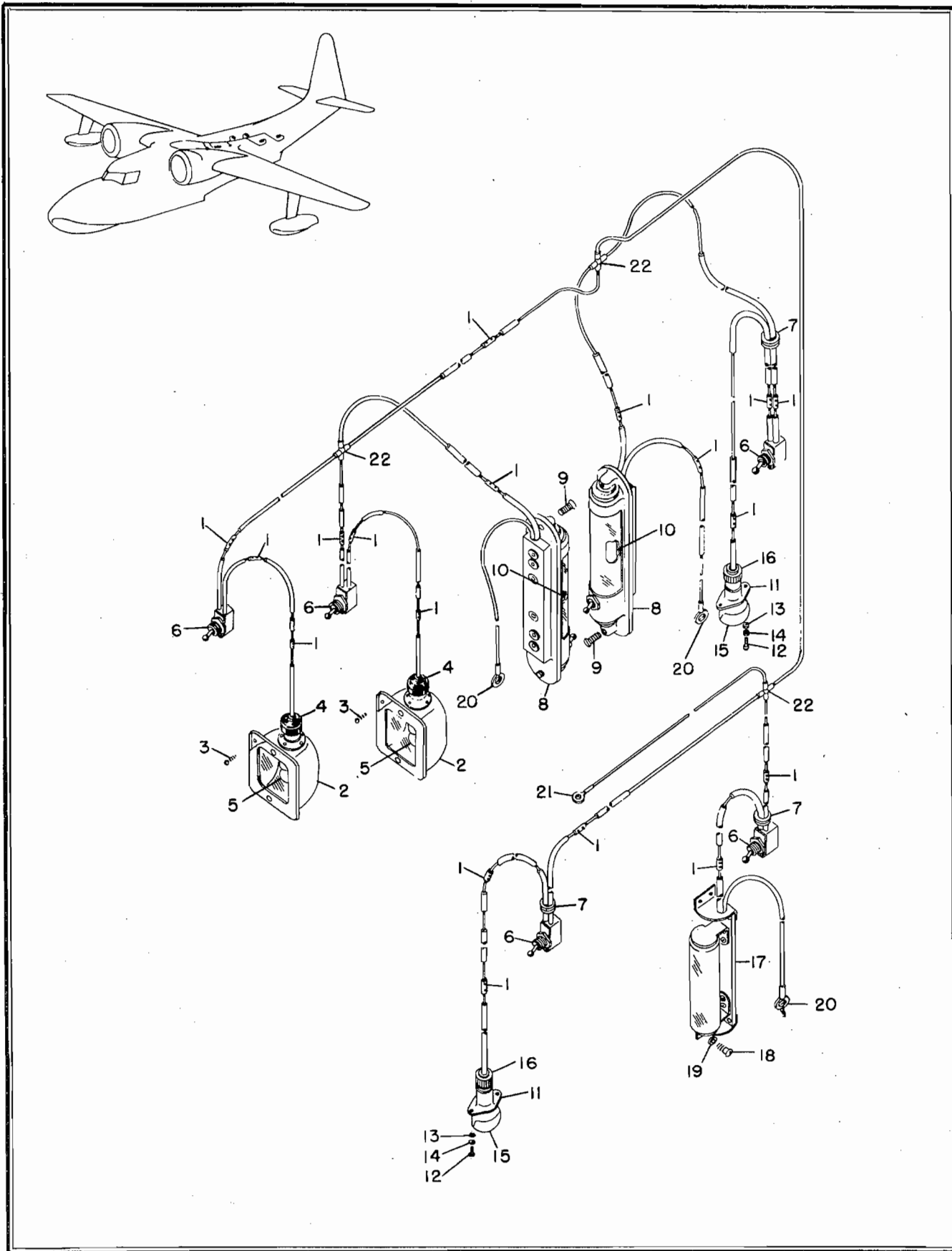


Figure 103—Right Aft Interior Light Cable Assembly



Figure & Index No.	Part No.	Nomenclature 1 2 3 4 5 6 7	Units Per Assy	Usage Code
-----------------------	----------	-------------------------------	-------------------	---------------

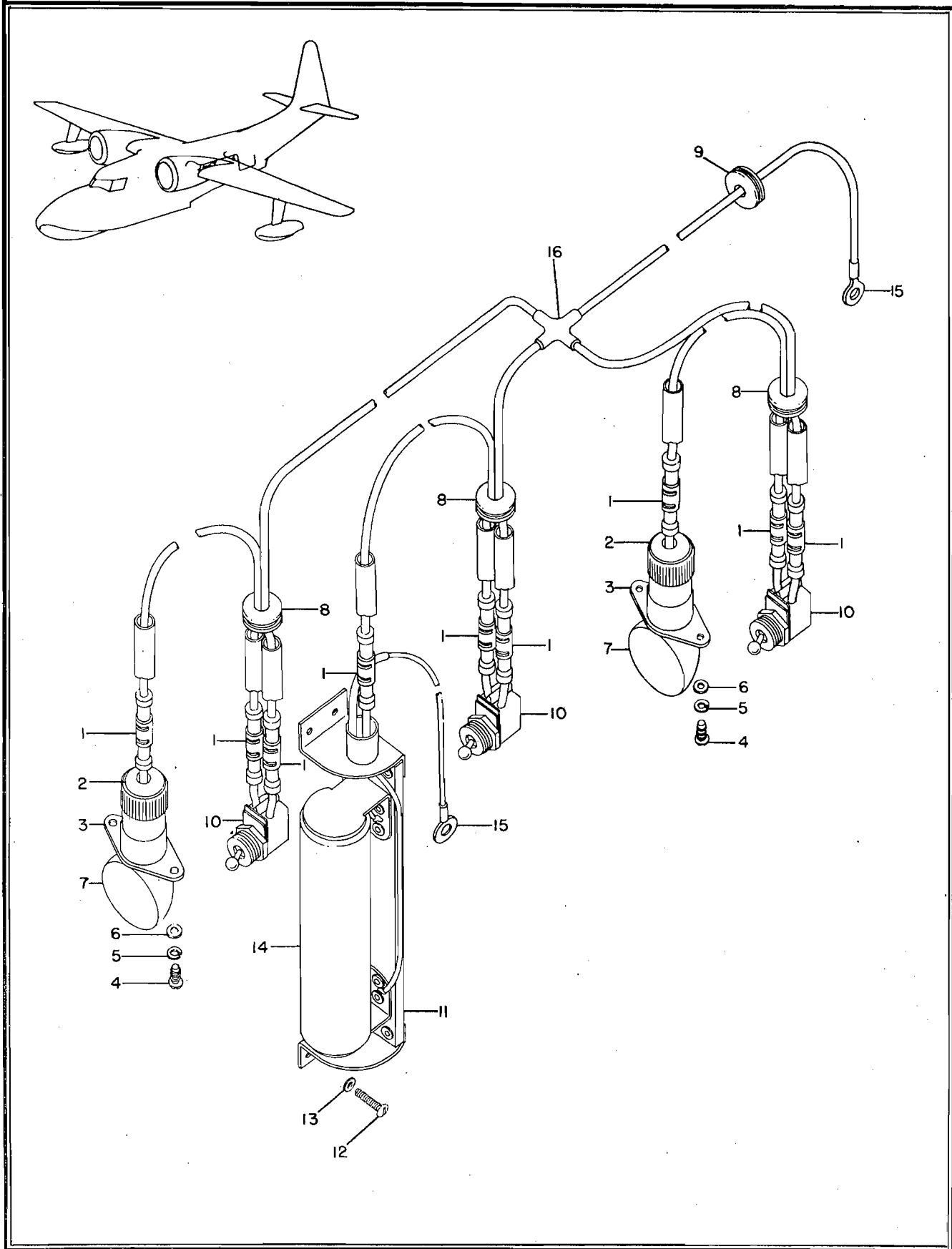
HULL (Cont)

Distribution Box to Flap Transmitter Cable Assembly

102-	110035	. . Cable Assembly - Distribution box to flap transmitter (See Fig. 80-25)	Ref	All
-1	AN3106-14S-2S	. . . Plug	1	All
-2	G355-2	. . . Boot	1	All
-3	31889	. . . Terminal (Aircraft Marine Products, Inc.)	2	All

Right Aft Interior Light Cable Assembly

103-	110027-1	. . Cable Assembly - Right aft interior light (See Fig. 80-26)	Ref	i
	110027-2	. . Cable Assembly - Right aft interior light (See Fig. 80-26)	Ref	j
-1	AN753-1	. . . Splice Assembly - Disconnect	18	All
-2	B-3550	. . . Light - Heater and baggage compartment (Grimes Manufacturing Co.)	2	All
		ATTACHING PARTS		
-3	AN515-6-8	. . . Screw	8	All
-4	G355-1	. . . Boot	2	All
-5	303	. . . Lamp - Heater and baggage compartment (General Electric Co.)	2	All
-6	111	. . . Switch - Window, fixture, heater and baggage compartment light (Carling Electric Co., Inc.)	5	All
-7	AN931-4-7	. . . Grommet	3	All
-8	B-3545	. . . Light - Lavatory compartment (Grimes Manufacturing Co.)	2	All
		ATTACHING PARTS		
-9	AN505-8-10	. . . Screw	4	All
-10	201F	. . . Lamp - Lumaline 28V 20W (General Electric Co.)	3	All
-11	A-3497-2	. . . Light - Aft cabin window (Grimes Manufacturing Co.)	2	All
		ATTACHING PARTS		
-12	AN530-6-4	. . . Screw	4	All
-13	AN960D6	. . . Washer	4	All
-14	AN935-6	. . . Washer	4	All
-15	1524	. . . Lamp - Aft cabin window (Grimes Manufacturing Co.)	2	All
-16	AN931-4-7	. . . Grommet	2	All
-17	B-3660	. . . Fixture - Aft cabin (Grimes Manufacturing Co.)	1	All
		ATTACHING PARTS		
-18	AN515-6-6	. . . Screw	4	All
-19	AN960D6	. . . Washer	4	All
-20	31889	. . . Terminal (Aircraft Marine Products, Inc.)	3	All
-21	31900	. . . Terminal (Aircraft Marine Products, Inc.)	1	1
-22	31714	. . . Terminal - Four way (Aircraft Marine Products, Inc.)	3	All





Section II
Group Assembly Parts List

Figure & Index No.	Part No.	Nomenclature 1 2 3 4 5 6 7	Units Per Assy	Usage Code
HULL (Cont)				
Left Rear Interior Light Cable Assembly				
104-	110028-1	. . . Cable Assembly - Left rear interior light (See Fig. 80-27)	Ref	All
-1	AN753-1	. . . Splice Assembly - Disconnect	9	All
-2	AN931-4-7	. . . Grommet	2	All
-3	A-3497-2	. . . Light - Aft cabin window (Grimes Manufacturing Co.)	2	All
ATTACHING PARTS				
-4	AN530-6-4	. . . Screw	4	All
-5	AN935-6	. . . Washer	4	All
-6	AN960D6	. . . Washer	4	All
-7	1524	. . . Lamp - Aft cabin window (Grimes Manufacturing Co.)	2	All
-8	AN931-4-7	. . . Grommet	3	All
-9	AN931-3-5	. . . Grommet	1	All
-10	111	. . . Switch - Window and cabin light (Carling Electric Co., Inc.)	3	All
-11	B-3660	. . . Fixture - Aft cabin (Grimes Manufacturing Co.)	1	All
ATTACHING PARTS				
-12	AN515-6-6	. . . Screw	4	All
-13	AN960D6	. . . Washer	4	All
-14	201F	. . . Lamp - Lumaline 20W-28V (General Electric Co.)	1	All
-15	31889	. . . Terminal (Aircraft Marine Products, Inc.)	2	All
-16	31714	. . . Terminal - Four way (Aircraft Marine Products, Inc.)	1	All

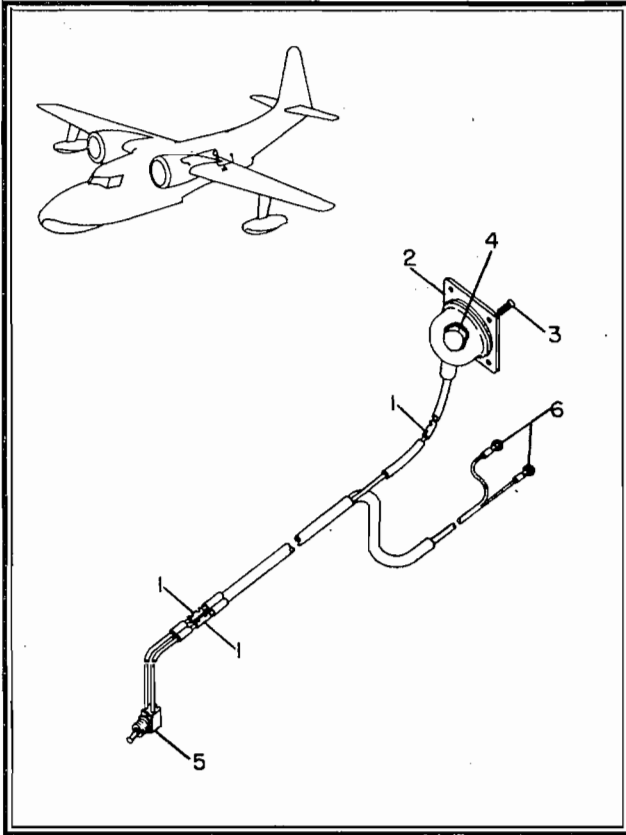


Figure 105—Entrance Step Light Cable Assembly

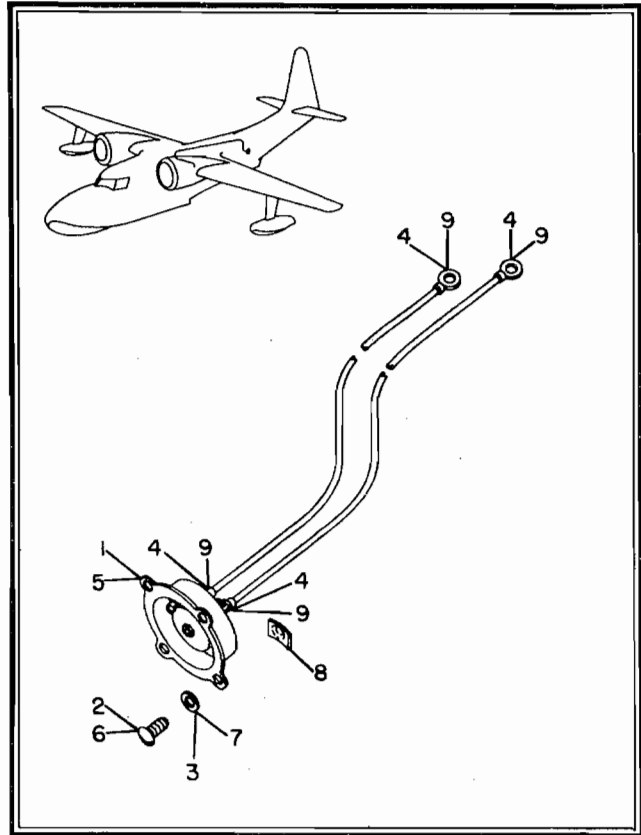


Figure 107—Distribution Box to 400°
Thermo Snap Switch Cable Assembly

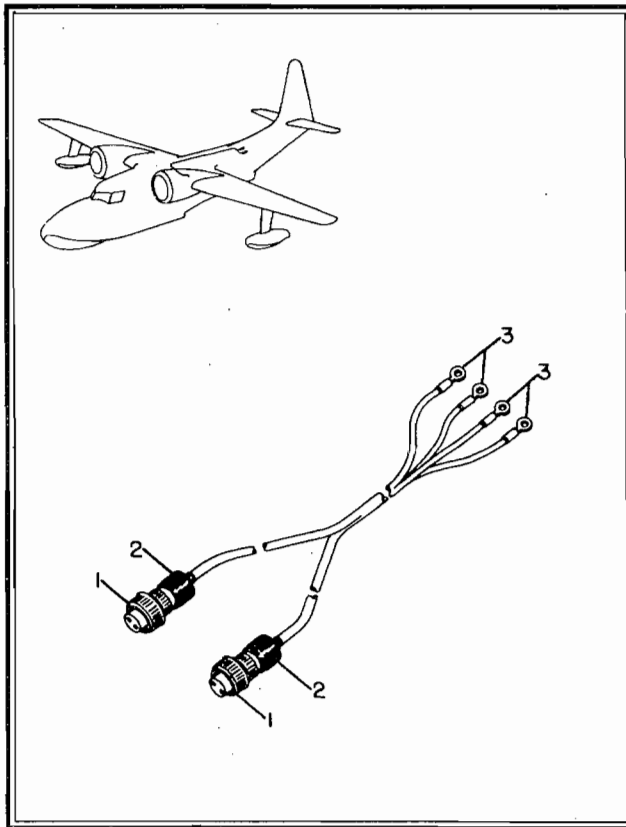


Figure 106—Distribution Box to Cabin
Air Exhaust Bulb Cable Assembly

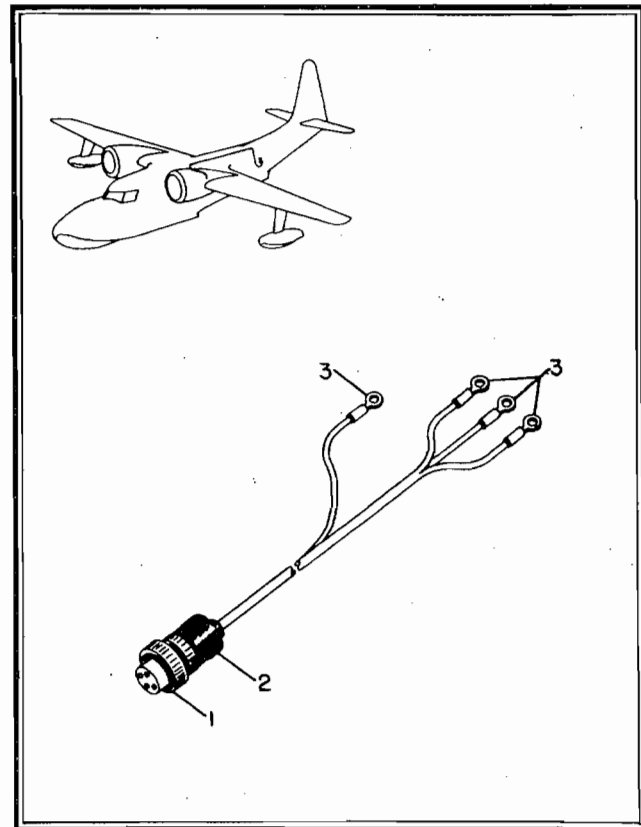


Figure 108—Temperature Control Cabin
Heater Air Discharge Bulb to Distribution
Box Cable Assembly



Section II
Group Assembly Parts List

Figure & Index No.	Part No.	Nomenclature	1 2 3 4 5 6 7	•	Units Per Assy	Usage Code
HULL (Cont)						
Entrance Step Light Cable Assembly						
105-	110029-1	. . Cable Assembly - Entrance step light (See Fig. 80-28)			Ref	All
-1	AN753-1	. . . Splice - Disconnect			3	All
-2	A-3585	. . . Light (Grimes Manufacturing Co.)			1	All
		ATTACHING PARTS				
-3	AN505-6-8	. . . Screw			4	All
-4	313	. . . Lamp (General Electric Co.)			1	All
-5	111	. . . Switch (Carling Electric Co., Inc.)			1	All
-6	31889	. . . Terminal (Aircraft Marine Products, Inc.)			2	All

Distribution Box to Cabin Air Exhaust Bulb Cable Assembly

106-	110044	. . Cable Assembly - Distribution box to cabin air exhaust bulb (See Fig. 80-29)			Ref	i
-1	AN3106-12S-3S	. . . Plug			2	i
-2	G355-1	. . . Boot			2	i
-3	31889	. . . Terminal (Aircraft Marine Products, Inc.)			4	i

Distribution Box to 400° Thermo Snap Switch Cable Assembly

107-	110046-1	. . Cable Assembly - Distribution box to 400° thermo snap switch (See Fig. 80-30)			Ref	i
-1	C2851-167	. . . Switch - Thermo snap (Spencer Thermostat Co.)			1	i
		ATTACHING PARTS				
-2	AN530-6-6	. . . Screw			4	i
-3	AN960D6	. . . Washer			4	i
-4	31889	. . . Terminal (Aircraft Marine Products, Inc.)			4	i
	110046-2	. . Cable Assembly - Thermo snap switch to thermo snap switch (See Fig. 80-31)			Ref	i
-5	C2851-167	. . . Switch - Thermo snap (Spencer Thermostat Co.)			1	i
		ATTACHING PARTS				
-6	AN530-6-6	. . . Screw			4	i
-7	AN960D6L	. . . Washer			4	i
-8	G176-6Z	. . . Nut			4	i
-9	31889	. . . Terminal (Aircraft Marine Products, Inc.)			4	i

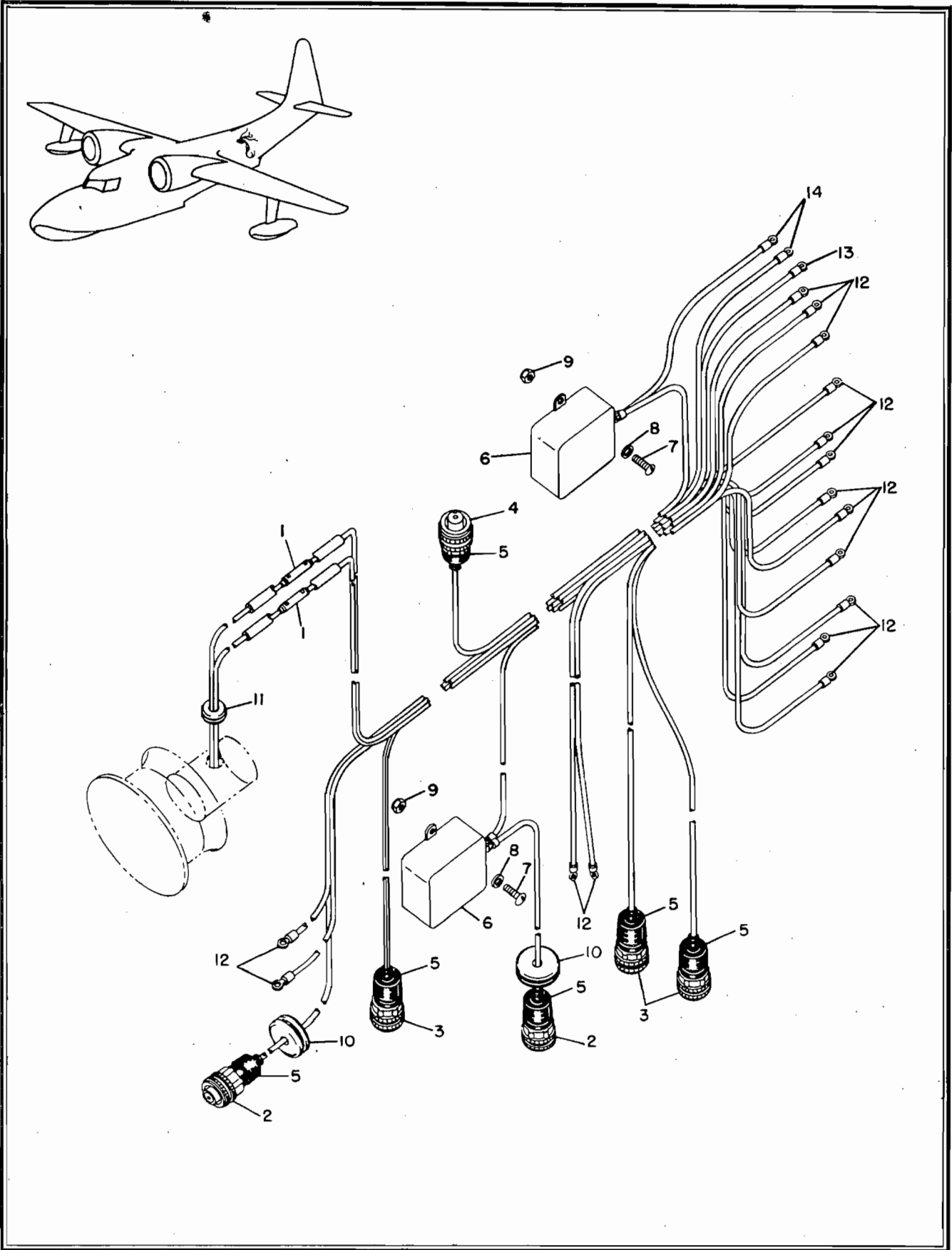


Figure 109—Cabin Heater and Equipment to Cabin Heater Terminal Block Cable Assembly



Figure & Index No.	Part No.	Nomenclature 1 2 3 4 5 6 7	Units Per Assy	Usage Code
-----------------------	----------	-------------------------------	-------------------	---------------

HULL (Cont)

Temperature Control Cabin Heater Air Discharge
Bulb to Distribution Box Cable Assembly

108-	110042	. . Cable Assembly - Temperature control cabin heater air discharge bulb to distribution box (See Fig. 80-34)	Ref	All
-1	AN3106-14S-2S	. . . Plug	1	All
-2	G355-2	. . . Boot	1	All
-3	31889	. . . Terminal (Aircraft Marine Products, Inc.)	4	All

Cabin Heater and Equipment to Cabin Heater Terminal Block Cable Assembly

109-	110041	. . Cable Assembly - Cabin heater and equipment to cabin heater terminal block (See Fig. 80-33)	Ref	All
-1	AN753-3	. . . Splice Assembly - Disconnect	2	All
-2	AN3106-10S-2S	. . . Plug	2	All
-3	AN3106-12S-3S	. . . Plug	3	All
-4	AN3106-12S-4S	. . . Plug	1	All
-5	G355-1	. . . Boot	6	All
-6	CA275X	. . . Condenser (P.R. Mallory & Co., Inc.)	2	All
ATTACHING PARTS				
-7	AN526-6-8	. . . Screw	4	All
-8	AN960D6	. . . Washer	4	All
-9	AN365-632	. . . Nut	4	All
-10	AN931-4-16	. . . Grommet	2	All
-11	AN931-4-7	. . . Grommet	1	All
-12	31889	. . . Terminal (Aircraft Marine Products, Inc.)	16	All
-13	31900	. . . Terminal (Aircraft Marine Products, Inc.)	1	All
-14	32544	. . . Terminal (Aircraft Marine Products, Inc.)	2	All

Instrument Junction Box Assembly

110-	110064	. . Box Assembly - Instrument junction (iap) (See Fig. 80-35)	Ref	All
ATTACHING PARTS				
-1	AN365-1032	. . . Nut	1	All
-2	AN960D10	. . . Washer	1	All
-3	110059-2	. . . Cover	1	All
-4	AN3106-14S-1S	. . . Plug	2	All
-5	AN3106-14S-5S	. . . Plug	1	All
-6	AN3106-14S-2S	. . . Plug	3	All
-7	G355-2	. . . Boot	6	All
-8	AN3106-18-1S	. . . Plug	1	All
-9	G355-3	. . . Boot	2	All
-10	G355-4	. . . Boot	1	All
-11	110059-1	. . . Box	1	All

Section II
Group Assembly Parts List

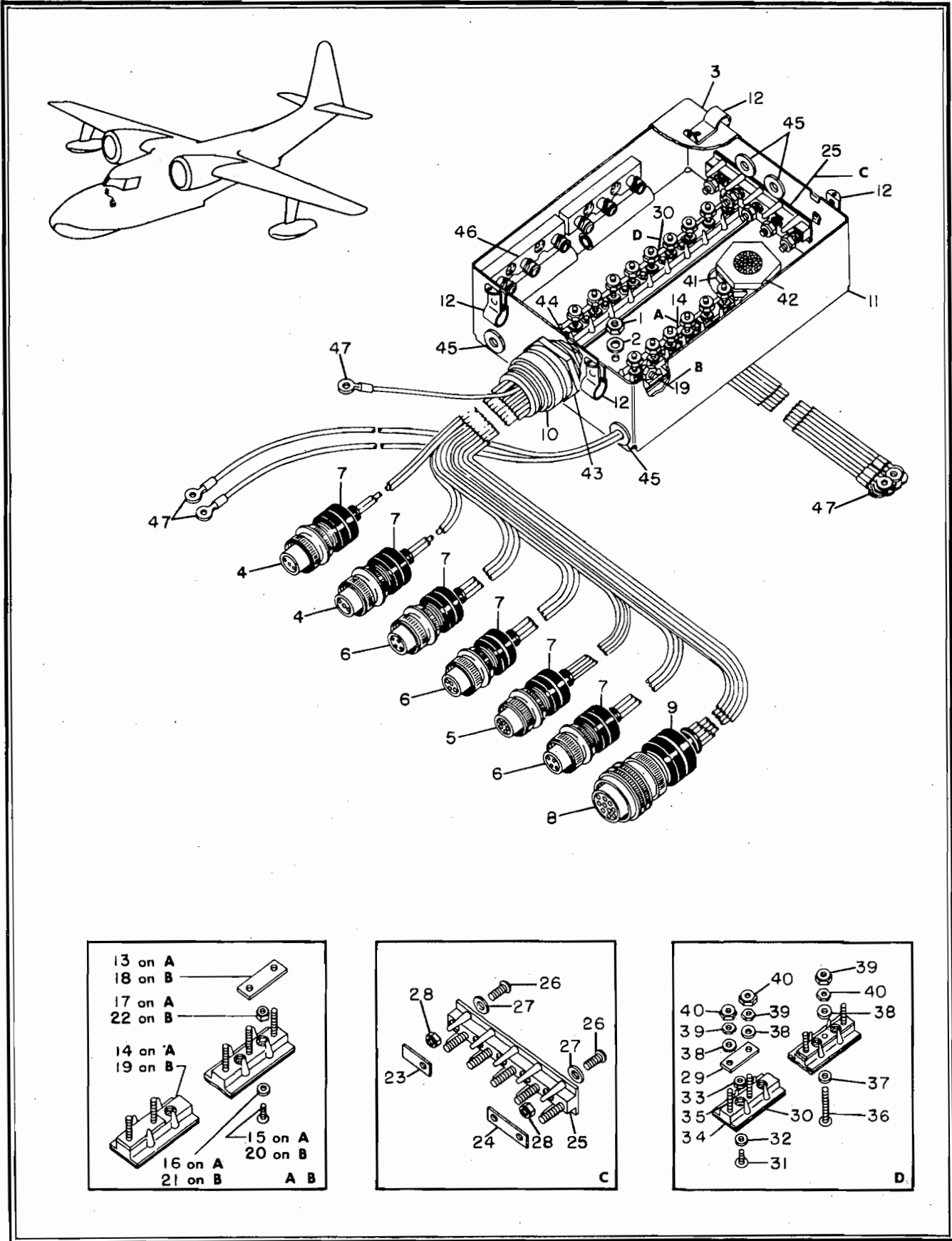


Figure 110—Instrument Junction Box Assembly



Section II
Group Assembly Parts List

Figure & Index No.	Part No.	Nomenclature	1	2	3	4	5	6	7	Units Per Assy	Usage Code
HULL (Cont)											
Instrument Junction Box Assembly (Cont)											
110-12	G189 Clip								4	All
-13	G158-2-6	. . . Strip - Insulating								2	All
-14	G159-B8-12	. . . Panel Assembly (iap)								1	All
ATTACHING PARTS											
-15	AN515-4-5 Screw								2	All
-16	AN960D4 Washer								2	All
-17	AN365-440 Nut								2	All
-18	G158-2-6	. . . Strip - Insulating								2	All
-19	G159-B11-12	. . . Panel Assembly (iap)								1	All
ATTACHING PARTS											
-20	AN515-4-5 Screw								2	All
-21	AN960D4 Washer								2	All
-22	AN365-440 Nut								2	All
-23	G158-1-6	. . . Strip - Insulating								1	All
-24	G158-2-6	. . . Strip - Insulating								1	All
-25	G159-C5-12	. . . Panel Assembly (iap)								1	All
ATTACHING PARTS											
-26	AN515-4-5 Screw								2	All
-27	AN960D4 Washer								2	All
-28	AN365-440 Nut								2	All
-29	G158-2-6	. . . Strip - Insulating								1	All
-30	G154-B11	. . . Panel - Connector (iap)								1	All
ATTACHING PARTS											
-31	AN515-4-5 Screw								2	All
-32	AN960D4 Washer								2	All
-33	AN365-440 Nut								2	All
-34	G153-50-4	. . . Strip - Base								1	All
-35	G157-6-12	. . . Screw								10	All
-36	AN515-6-16	. . . Screw								1	All
-37	AN960D6	. . . Washer								1	All
-38	AN960-6	. . . Washer								11	All
-39	AN365-1032	. . . Nut								11	All
-40	AN340-6	. . . Nut								11	All
-41	AN3066-12	. . . Locknut								1	All
-42	AN3064-12	. . . Connector								1	All
-43	AN3066-16	. . . Locknut								1	All
-44	AN3064-16	. . . Connector								1	All
-45	AN931-4-7	. . . Grommet								4	All
-46	No Number	. . . Block Assembly - Resistor (Furnished with cockpit instrument lights, Part No. B-2930-A-1 made by Grimes Manufacturing Co.)								2	All
-47	31889	. . . Terminal (Aircraft Marine Products, Inc.)								27	All

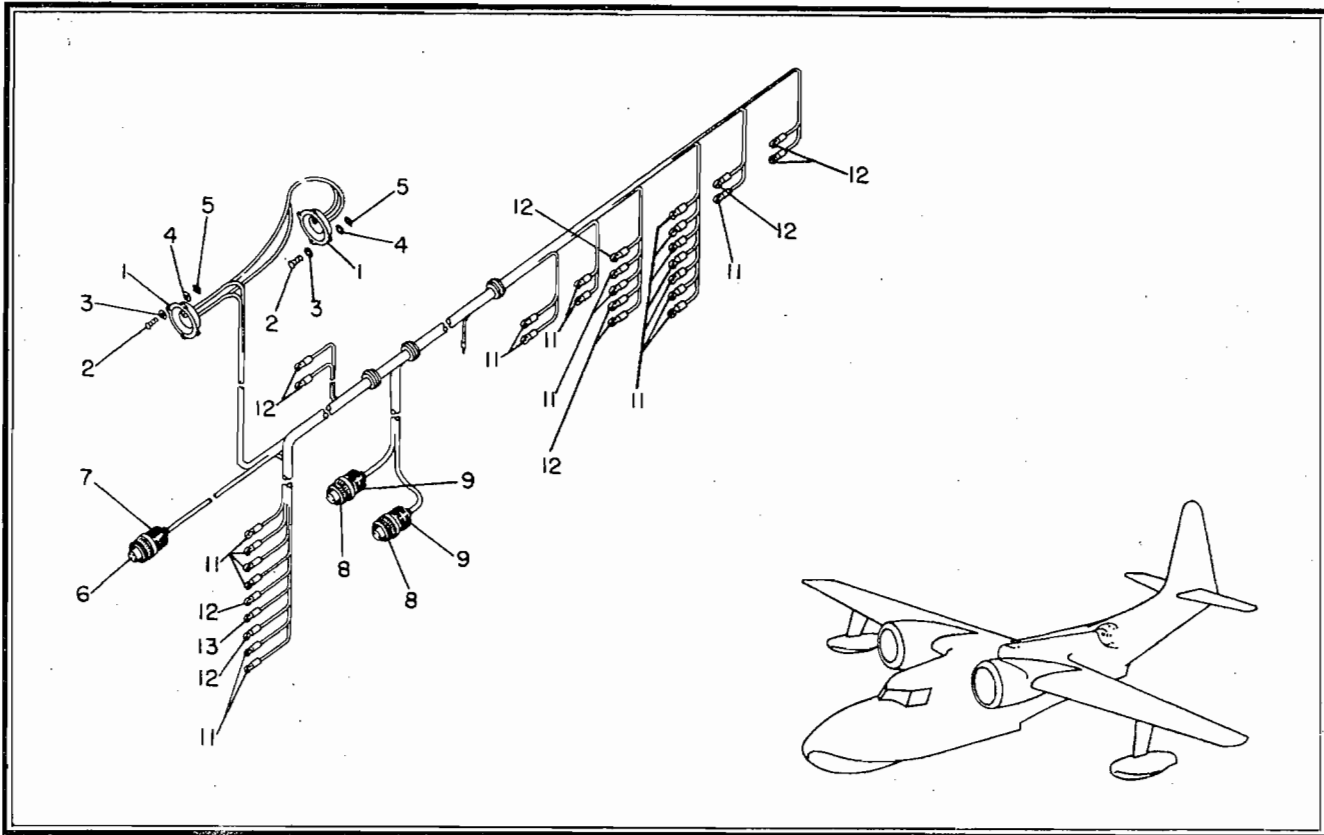


Figure 111—Distribution Box to Right Aft Fuselage Cable Assembly

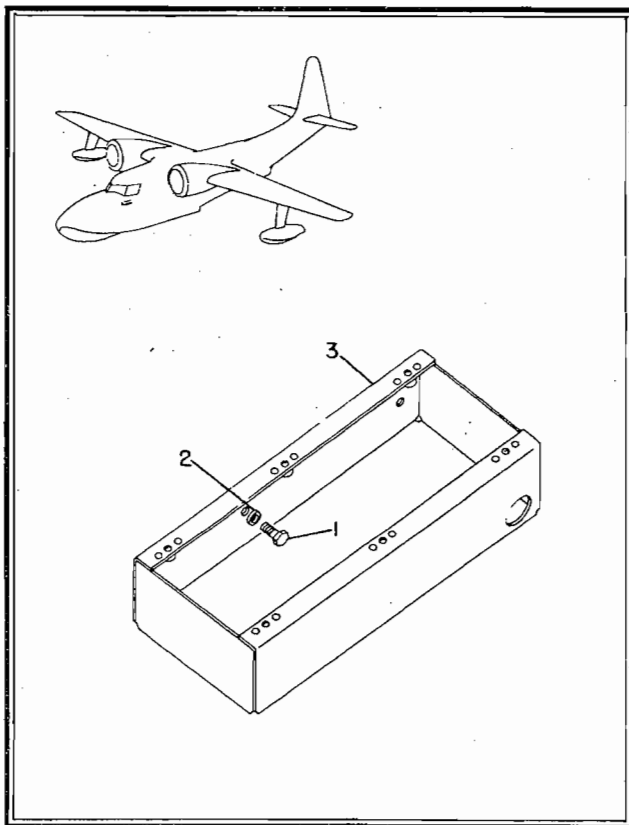


Figure 112—Circuit Breaker Box Assembly

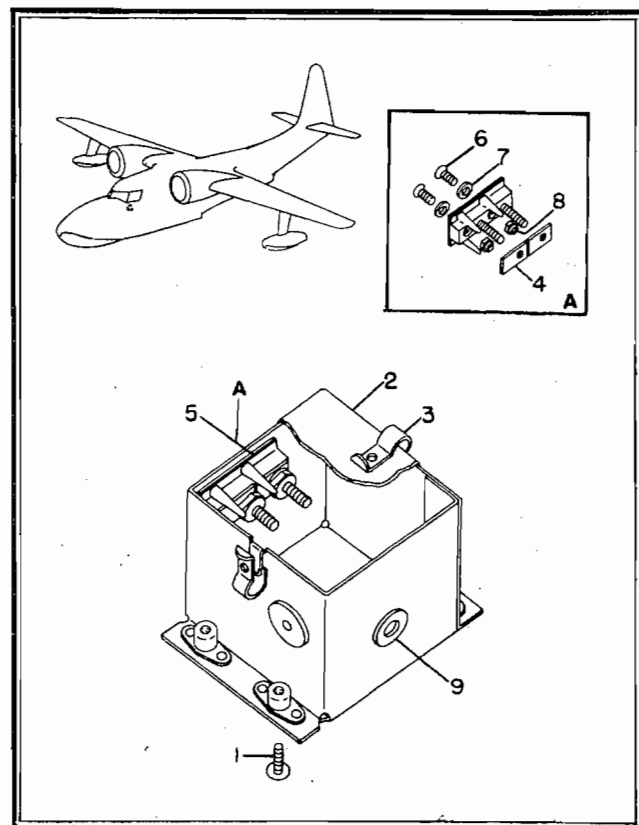


Figure 113—Compass Light Junction Box Assembly



Section II
Group Assembly Parts List

Figure & Index No.	Part No.	Nomenclature 1 2 3 4 5 6 7	Units Per Assy	Usage Code
-----------------------	----------	-------------------------------	-------------------	---------------

HULL (Cont)

Distribution Box to Right Aft Fuselage Cable Assembly

111-	110165	. . Cable Assembly - Distribution box to right aft fuselage (See Fig. 80-32)	Ref	j
-1	C2851-167	. . . Switch - Thermo snap (Spencer Thermostat Co.)	2	j
ATTACHING PARTS				
-2	AN530-6-6	. . . Screw	4	j
-3	AN960D6	. . . Washer	2	j
-4	AN960D6L	. . . Washer	2	j
-5	G176-6Z	. . . Nut	2	j
-6	AN3106-14S-2S	. . . Plug	1	j
-7	G355-2	. . . Boot	1	j
-8	AN3106-12S-3S	. . . Plug	2	j
-9	G355-1	. . . Boot	2	j
-10	AN931-8-13	. . . Grommet	3	j
-11	31889	. . . Terminal (Aircraft Marine Products, Inc.)	26	j
-12	31900	. . . Terminal (Aircraft Marine Products, Inc.)	9	j
-13	32544	. . . Terminal (Aircraft Marine Products, Inc.)	2	j

Circuit Breaker Box Assembly

112-	110063	. . Box Assembly - Circuit breaker (iap) (See Fig. 80-36)	Ref	All
ATTACHING PARTS				
-1	AN3-4A	. . . Bolt	3	All
-2	AN960D10	. . . Washer	3	All
-3	110063-1	. . . Box	1	All

Compass Light Junction Box Assembly

113-	110051	. . Box Assembly - Compass light junction (iap) (See Fig. 80-37)	Ref	az
ATTACHING PARTS				
-1	AN526-632-8	. . . Screw	4	az
-2	110051-2	. . . Cover	1	az
-3	G189	. . . Clip	2	az
-4	G158-1-6	. . . Strip - Insulating	2	az
-5	G159-C2-12	. . . Panel Assembly (iap)	1	az
ATTACHING PARTS				
-6	AN515-4-5 Screw	2	az
-7	AN960D4L Washer	2	az
-8	AN365-440 Nut	2	az
-9	AN931-4-7	. . . Grommet	1	az
-10	110051-1	. . . Box	1	az

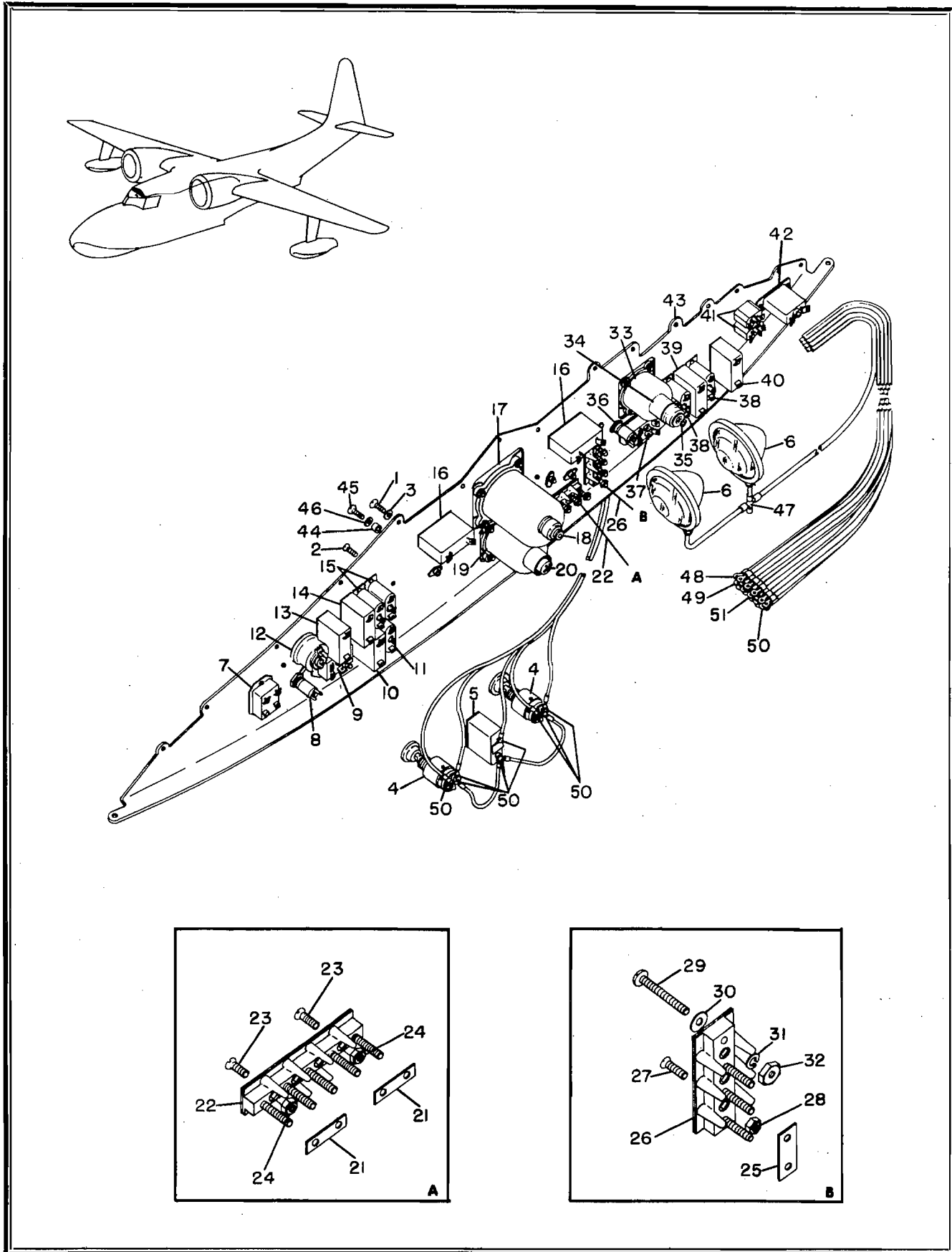


Figure 114—Distribution Switch Panel Assembly (See Fig. 115)



Section II
Group Assembly Parts List

Figure & Index No.	Part No.	Nomenclature							Units Per Assy	Usage Code
		1	2	3	4	5	6	7		
HULL (Cont)										
Distribution Switch Panel Assembly										
114-	110021-2	. . . Panel Assembly - Distribution switch (iap) (See Fig. 80-39)							Ref	bm
		ATTACHING PARTS								
-1	AN515-8-8	. . . Screw							17	bm
-2	AN505-8-8	. . . Screw							6	bm
-3	AN960D8	. . . Washer							17	bm
-4	54267	. . . Switch - Propeller feathering (Hamilton Standard Propellers Division of United Aircraft Corp.)							2	bm
-5	AN3161-P5	. . . Breaker - Circuit							2	bm
		ATTACHING PARTS								
-5	AN526-632-8	. . . Screw							2	bm
-6	B-3550	. . . Light - Cockpit dome (Grimes Manufacturing Co.)							2	bm
-7	AN3023-8B	. . . Switch - Cabin fire extinguisher							1	bm
		ATTACHING PARTS								
-7	AN505-6-7	. . . Screw							2	bm
-8	VM-400	. . . Light - Fire warning (Searle Aero Industries, Inc.)							1	bm
-9	AN3023-7B	. . . Switch - Engine fire extinguisher							1	bm
		ATTACHING PARTS								
-9	AN505-6-7	. . . Screw							2	bm
-10	AN3160-10L	. . . Switch - Pitot heater							1	bm
		ATTACHING PARTS								
-10	AN505-6-7	. . . Screw							2	bm
-11	AN3022-1B	. . . Switch - Cabin heater							1	bm
		ATTACHING PARTS								
-11	AN505-6-7	. . . Screw							2	bm
-12	NAF1099-25-185	. . . Rheostat							1	bm
-13	AN3160-5L	. . . Switch - Anchor lights							1	bm
		ATTACHING PARTS								
-13	AN505-6-7	. . . Screw							2	bm
-14	AN3160-5L	. . . Switch - Position lights							1	bm
		ATTACHING PARTS								
-14	AN505-6-7	. . . Screw							2	bm
-15	AN3022-1B	. . . Switch - Landing lights							2	bm
		ATTACHING PARTS								
-15	AN505-6-7	. . . Screw							4	bm
-16	AN3160-10L	. . . Switch - Fuel pump							2	bm
		ATTACHING PARTS								
-16	AN505-6-7	. . . Screw							4	bm
-17	AN3213-1	. . . Switch - Ignition							1	bm
		ATTACHING PARTS								
-17	AN505-6-8	. . . Screw							4	bm
-18	G355-2	. . . Boot							1	bm

Section II
Group Assembly Parts List

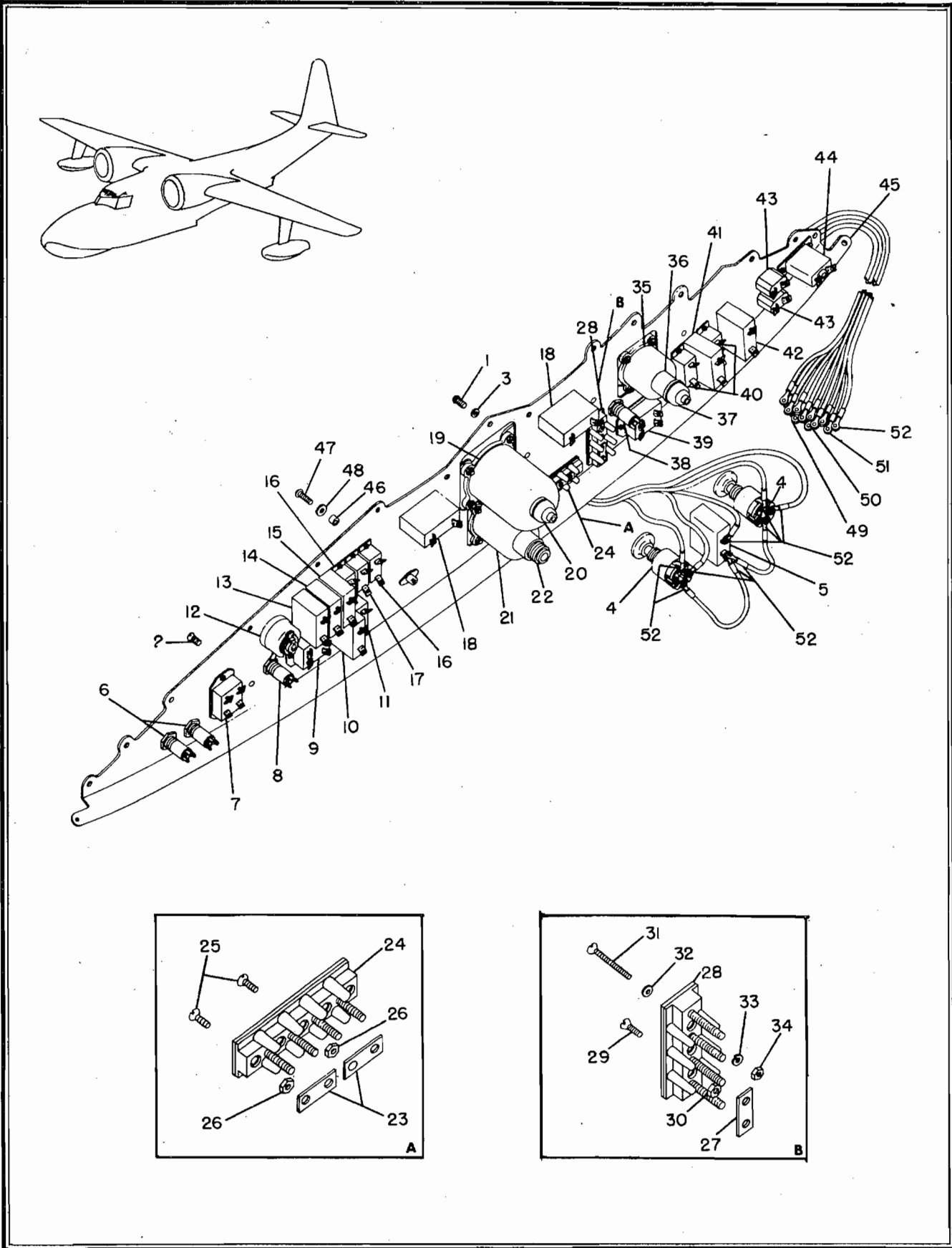


Figure 115—Distribution Switch Panel Assembly (See Fig. 114)



Section II
Group Assembly Parts List

Figure & Index No.	Part No.	Nomenclature 1 2 3 4 5 6 7	Units Per Assy	Usage Code
HULL (Cont)				
Distribution Switch Panel Assembly (Cont)				
114-19	DJ12 Indicator - Fuel quantity (General Electric Co.)	1	bm
		ATTACHING PARTS		
-19	AN505-6-10 Screw	4	bm
-20	AN3106-14S-6S Plug	1	bm
-21	G158-2-6 Strip	2	bm
-22	G159-B5-12 Panel Assembly (iap)	1	bm
		ATTACHING PARTS		
-23	AN505-4-5 Screw	2	bm
-24	AN365-440 Nut	2	bm
-25	G166-2-10 Strip - Insulating	1	bm
-26	G168-B4-12 Panel Assembly (iap)	1	bm
		ATTACHING PARTS		
-27	AN505-4-6 Screw	1	bm
-28	AN365-440 Nut	1	bm
-29	AN510-10-18 Screw	1	bm
-30	AN960D10 Washer	1	bm
-31	AN935-10 Washer	1	bm
-32	AN345-1032 Nut	1	bm
-33	606-210Y-2 Voltammeter (Weston Electrical Instrument Corp.)	1	bm
		ATTACHING PARTS		
-33	AN505-6-10 Screw	3	bm
-34	AN3106-14S-2S Plug	1	bm
-35	G355-2 Boot	1	bm
-36	VM400 Light - Generator warning (Searle Aero Industries Inc.)	2	bm
-37	AN3023-3B Switch - Voltammeter	1	bm
		ATTACHING PARTS		
-37	AN505-6-7 Screw	2	bm
-38	AN3022-2B Switch - Generator field	2	bm
		ATTACHING PARTS		
-38	AN505-6-7 Screw	4	bm
-39	AN3160-5L Switch - Battery	1	bm
		ATTACHING PARTS		
-39	AN505-6-7 Screw	2	bm
-40	AN3160-50L Switch - Radio master	1	bm
		ATTACHING PARTS		
-40	AN505-6-7 Screw	2	bm
-41	AN3021-7B Switch - Primer	2	bm
-42	D6751-1-5 Breaker - Entrance lights circuit (Spencer Thermostat Co.)	1	bm
		ATTACHING PARTS		
-42	AN505-6-7 Screw	2	bm
-43	111069 Panel Assembly - Control	1	bm
-44	G5-3-16 Spacer	4	bm
-45	AN520-10-12 Screw	4	bm
-46	AN960D10L Washer	4	bm
-47	31714 Terminal - Four way (Aircraft Marine Products, Inc.)	1	bm
-48	F26 Terminal (The Thomas & Betts Co.)	1	bm

Section II
Group Assembly Parts List



Figure & Index No.	Part No.	Nomenclature							Units Per Assy	Usage Code
		1	2	3	4	5	6	7		
HULL (Cont)										
Distribution Switch Panel Assembly (Cont)										
114-49	32544	. . .							1	bm
-50	31889	. . .							39	bm
-51	31900	. . .							15	bm
115-	110022-1	. . .								
		Panel Assembly - Distribution switch (iap)								
		(See Fig. 80-39)							Ref	bi
	110022-2	. . .								
		Panel Assembly - Distribution switch (iap)								
		(See Fig. 80-39)							Ref	aw
	110022-3	. . .								
		Panel Assembly - Distribution switch (iap)								
		(See Fig. 80-39)							Ref	ay
	110022-4	. . .								
		Panel Assembly - Distribution switch (iap)								
		(See Fig. 80-39)							Ref	ax
ATTACHING PARTS										
-1	AN515-8-8	. . .							17	All
-2	AN505-8-8	. . .							6	All
-3	AN960D8	. . .							17	All
-4	54267	. . .								
		Switch - Propeller feathering (Hamilton Standard								
		Propellers Division of United Aircraft Corp.)							2	All
-5	AN3161-P5	. . .							1	All
		Breaker - Circuit								
ATTACHING PARTS										
-5	AN526-6-8	. . .							2	All
		Screw								
-6	VM400	. . .								
		Light - Engine fire detection warning light								
		(Searle Aero Industries, Inc.)							2	cc
-7	AN3023-8	. . .							1	All
		Switch - Cabin heater fire extinguisher								
ATTACHING PARTS										
-7	AN505-6-7	. . .							2	All
		Screw								
-8	VM400	. . .								
		Light - Cabin heater fire warning (Searle Aero								
		Industries, Inc.)							1	All
-9	AN3023-7	. . .							1	All
		Switch - Engine fire extinguisher								
ATTACHING PARTS										
-9	AN505-6-7	. . .							2	All
		Screw								
-10	AN3160-15L	. . .							1	All
		Switch - Pilot's heater								
ATTACHING PARTS										
-10	AN505-6-7	. . .							2	All
		Screw								
-11	AN3022-1	. . .							1	All
		Switch - Cabin heater								
ATTACHING PARTS										
-11	AN505-6-7	. . .							2	All
		Screw								
-12	NAF1099-25-185	. . .							1	All
		Rheostat - Cockpit dome lights								
-13	AN3160-5L	. . .							1	All
		Switch - Anchor lights								
ATTACHING PARTS										
-13	AN505-6-7	. . .							2	All
		Screw								
-14	AN3160-5L	. . .							1	cc
		Switch - Flasher motor								
ATTACHING PARTS										
-14	AN505-6-7	. . .							2	cc
		Screw								
-15	AN3160-5L	. . .							1	All
		Switch - Position lights								



Figure & Index No.	Part No.	Nomenclature							Units Per Assy	Usage Code
		1	2	3	4	5	6	7		
HULL (Cont)										
Distribution Switch Panel Assembly (Cont)										
115-		ATTACHING PARTS								
-15	AN505-6-7	. . .	Screw						2	All
-16	AN3022-1	. . .	Switch - Landing light						2	All
		ATTACHING PARTS								
-16	AN505-6-7	. . .	Screw						4	All
-17	AN3022-2	. . .	Switch - Landing light bulb						1	cd
		ATTACHING PARTS								
-17	AN505-6-7	. . .	Screw						2	cd
-18	AN3160-10L	. . .	Switch - Engine fuel pump						2	All
		ATTACHING PARTS								
-18	AN505-6-7	. . .	Screw						4	All
-19	AN3213-1	. . .	Switch - Ignition						1	All
		ATTACHING PARTS								
-19	AN505-6-8	. . .	Screw						4	All
-20	G355-2	. . .	Boot						1	All
-21	DJ12	. . .	Indicator - Fuel quantity (General Electric Co.)						1	All
		ATTACHING PARTS								
-21	AN505-6-10	. . .	Screw						4	All
-22	AN3106-14S-6S	. . .	Plug						1	All
-23	G158-2-6	. . .	Strip - Insulating						2	All
-24	G159-B5-12	. . .	Panel Assembly (iap)						1	All
		ATTACHING PARTS								
-25	AN505-4-5	Screw						2	All
-26	AN365-440	Nut						2	All
-27	G166-2-10	. . .	Strip - Insulating						1	All
-28	G168-B4-12	. . .	Panel Assembly (iap)						1	All
		ATTACHING PARTS								
-29	AN505-4-5	Screw						1	All
-30	AN365-440	Nut						1	All
-31	AN510-10-18	Screw						1	All
-32	AN960D10	Washer						1	All
-33	AN935-10	Washer						1	All
-34	AN345-1032	Nut						1	All
-35	606-210Y-2	. . .	Voltammeter (Weston Electrical Instrument Corp.)						1	All
		ATTACHING PARTS								
-35	AN505-6-10	. . .	Screw						3	All
-36	AN3106-14S-2S	. . .	Plug						1	All
-37	G355-2	. . .	Boot						1	All
-38	VM400	. . .	Light - Generator warning (Searle Aero Industries, Inc.)						2	bi
-39	AN3023-3	. . .	Switch - Voltammeter						1	All
		ATTACHING PARTS								
-39	AN505-6-7	. . .	Screw						2	All
-40	AN3022-2	. . .	Switch - Generator field						2	All
		ATTACHING PARTS								
-40	AN505-6-7	. . .	Screw						4	All
-41	AN3160-5L	. . .	Switch - Battery						1	All

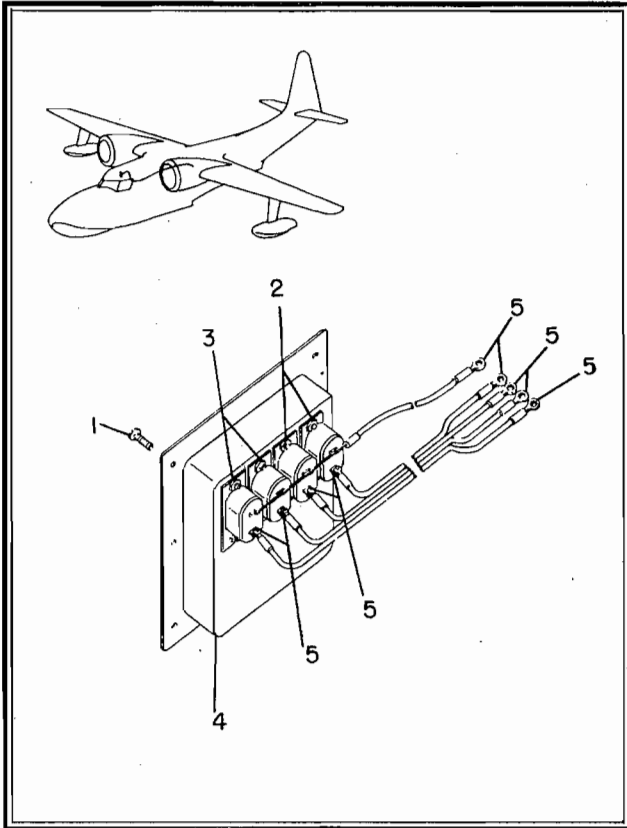


Figure 116—Right Auxiliary Switch Panel Assembly

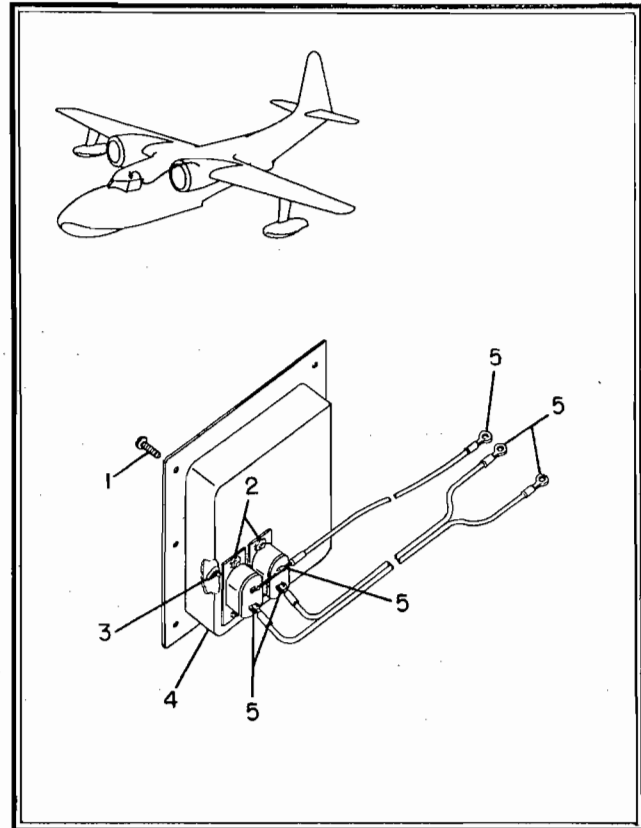


Figure 117—Right Auxiliary Switch Panel Assembly

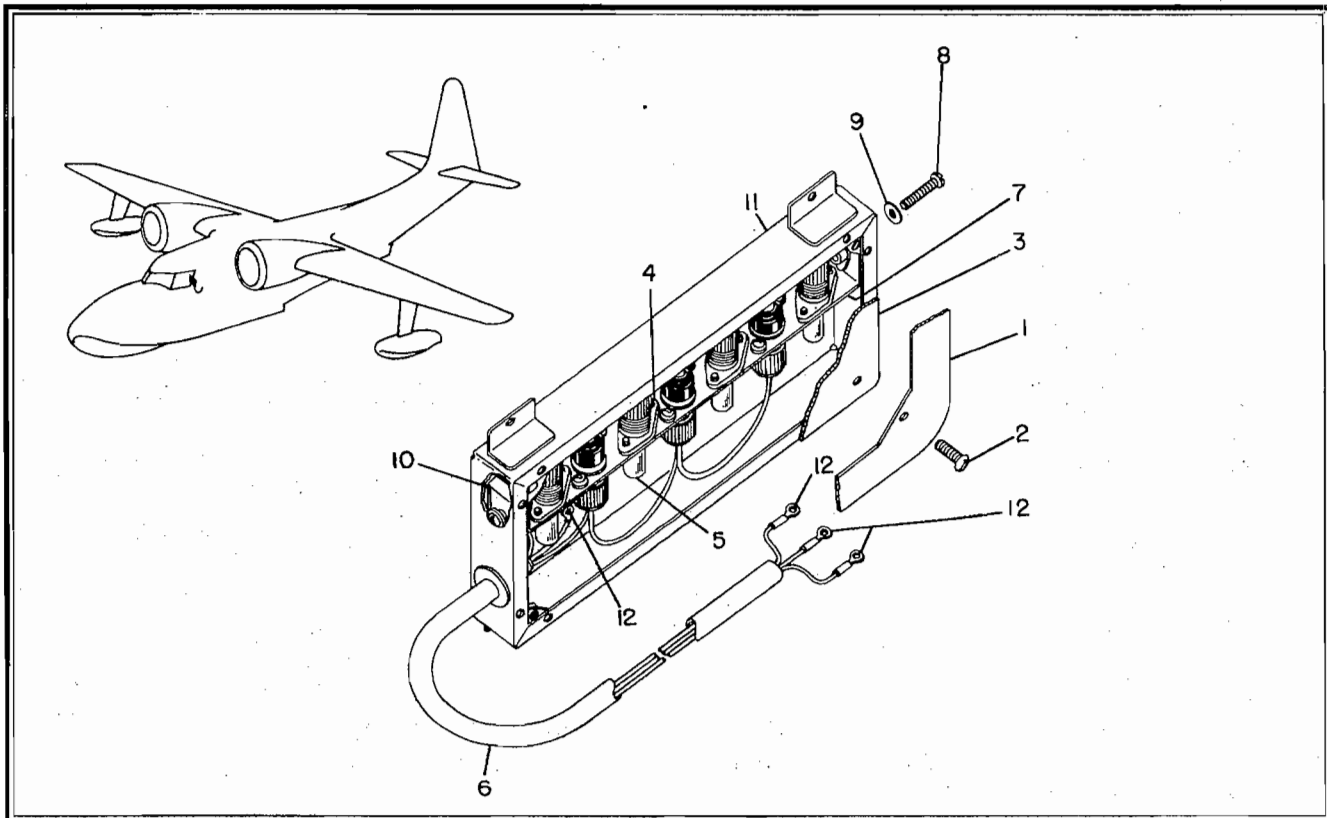


Figure 118—Cabin Passenger Safety Sign Assembly



Figure &
Index No.

Part No.

Nomenclature
1 2 3 4 5 6 7

Units Usage
Per Assy Code

HULL (Cont)

Distribution Switch Panel Assembly (Cont)

115-		ATTACHING PARTS						
-41	AN505-6-7	. . . Screw					2	All
-42	AN3160-50L	. . . Switch - Radio master					1	All
		ATTACHING PARTS						
-42	AN505-6-7	. . . Screw					2	All
-43	AN3021-7	. . . Switch - Starter and primer					2	All
-44	D6751-1-5	. . . Breaker - Circuit (Spencer Thermostat Co.)					1	All
		ATTACHING PARTS						
-44	AN505-6-7	. . . Screw					2	All
-45	111069	. . . Panel Assembly - Control					1	All
-46	G5-3-16 Spacer					4	All
-47	AN520-10-12 Screw					4	All
-48	AN960D10L Washer					4	All
-49	F26	. . . Terminal (The Thomas & Betts Co.)					1	All
-50	32544	. . . Terminal (Aircraft Marine Products, Inc.)					2	ce
	32544	. . . Terminal (Aircraft Marine Products, Inc.)					4	cd
-51	31900	. . . Terminal (Aircraft Marine Products, Inc.)					15	All
-52	31889	. . . Terminal (Aircraft Marine Products, Inc.)					44	bi
	31889	. . . Terminal (Aircraft Marine Products, Inc.)					45	cf
	31889	. . . Terminal (Aircraft Marine Products, Inc.)					42	ax

Right Auxiliary Switch Panel Assembly

116-	110146-1	. . Panel Assembly - Right auxiliary switch (iap) (See Fig. 80-38)					Ref	bl
		ATTACHING PARTS						
-1	AN526-6-8	. . . Screw					6	bl
-2	AN3022-2	. . . Switch - Engine oil					2	bl
		ATTACHING PARTS						
-2	AN515-6-7	. . . Screw					4	bl
-3	AN3022-2	. . . Switch - Engine fuel					2	bl
		ATTACHING PARTS						
-3	AN515-6-7	. . . Screw					4	bl
-4	110110-1	. . . Panel - Switch					1	bl
-5	31889	. . . Terminal (Aircraft Marine Products, Inc.)					10	bl
117-	110146-2	. . Panel Assembly - Right auxiliary switch (iap) (See Fig. 80-38)					Ref	ab
		ATTACHING PARTS						
-1	AN526-6-8	. . . Screw					6	ab
-2	AN3160-15L	. . . Switch - Auxiliary fuel tank circuit breaker					1	ab
		ATTACHING PARTS						
-2	AN515-6-6	. . . Screw					2	ab
-3	AN3028-3	. . . Guard - Switch					1	ab

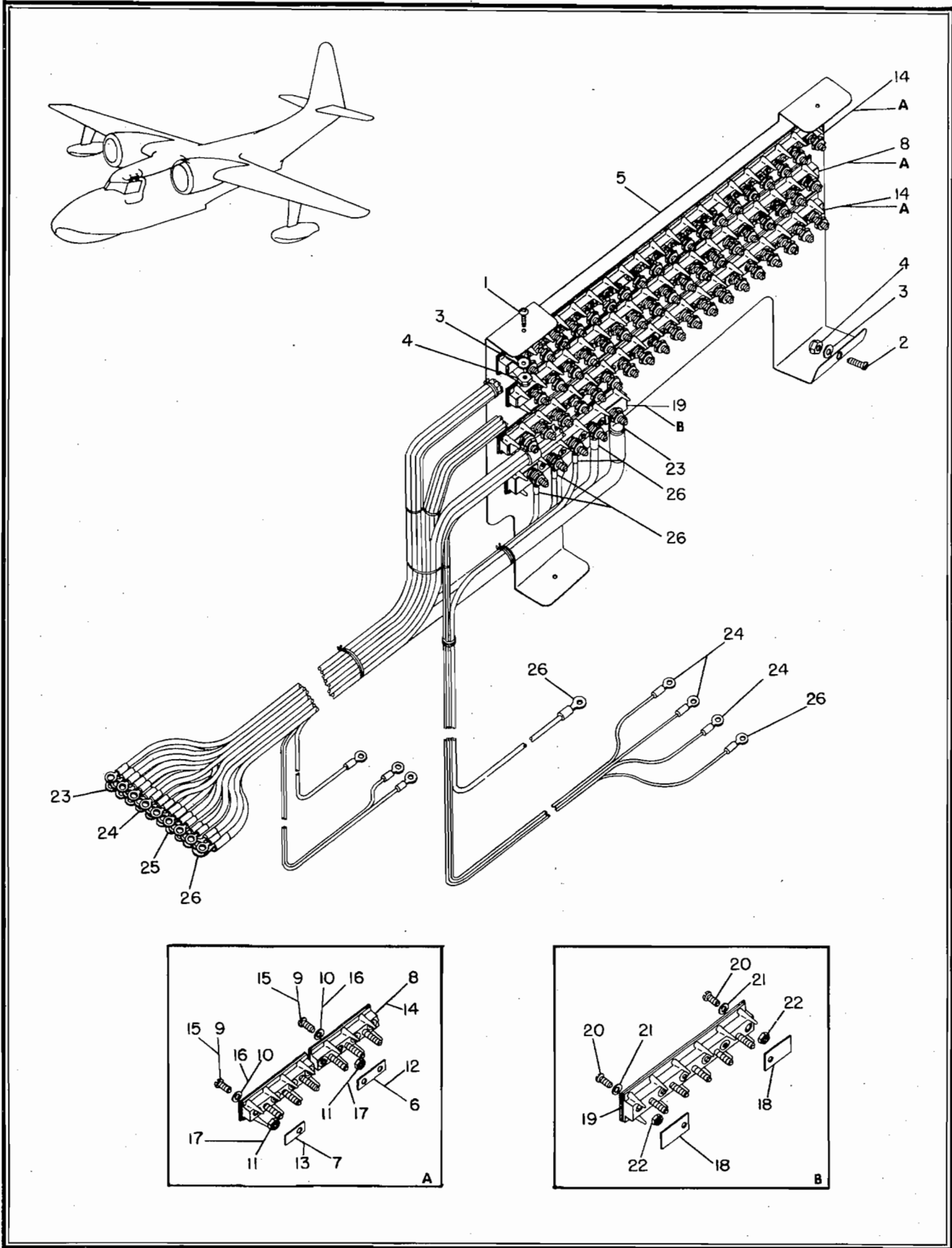


Figure 119—Pilot's Copartment Terminal Panel Assembly



Section II
Group Assembly Parts List

Figure & Index No.	Part No.	Nomenclature							Units Per Assy	Usage Code
		1	2	3	4	5	6	7		
HULL (Cont)										
Right Auxiliary Switch Panel Assembly (Cont)										
117-4	110110-3	. . .							1	ab
-5	31900	. . .							6	ab
Cabin Passenger Safety Sign Assembly										
118-	110145-1	. .							Ref	k
		(See Fig. 80-40)								
-1	110069-3	. . .							1	k
ATTACHING PARTS										
-2	AN515-8-8							4	k
-3	110121							1	k
-4	AN3034-2							7	k
-5	AN3121-313							7	k
-6	SJ-18-16/30							1	k
-7	110069-2							1	k
ATTACHING PARTS										
-8	AN515-6-12							2	k
-9	AN960A6L							2	k
-10	111860							2	k
-11	110069-1							1	k
-12	31889							4	k
Pilot's Compartment Terminal Panel Assembly										
119-	110119-1	. .							Ref	bj
		(See Fig. 80-41)								
	110119-2	. .							Ref	bn
		(See Fig. 80-41)								
	110119-3	. .							Ref	bo
		(See Fig. 80-41)								
ATTACHING PARTS										
-1	AN515-6-8							3	All
-2	AN505-6-8							1	All
-3	AN960D6L							4	All
-4	AN365-632							4	All
-5	110116-1							1	All
-6	G158-2-6							2	All
-7	G158-1-6							2	All
-8	G159-A19-12							1	All
ATTACHING PARTS										
-9	AN515-4-5							4	All
-10	AN960D4L							4	All
-11	AN365-440							4	All
-12	G158-2-6							4	All
-13	G158-1-6							4	All

Section II
Group Assembly Parts List

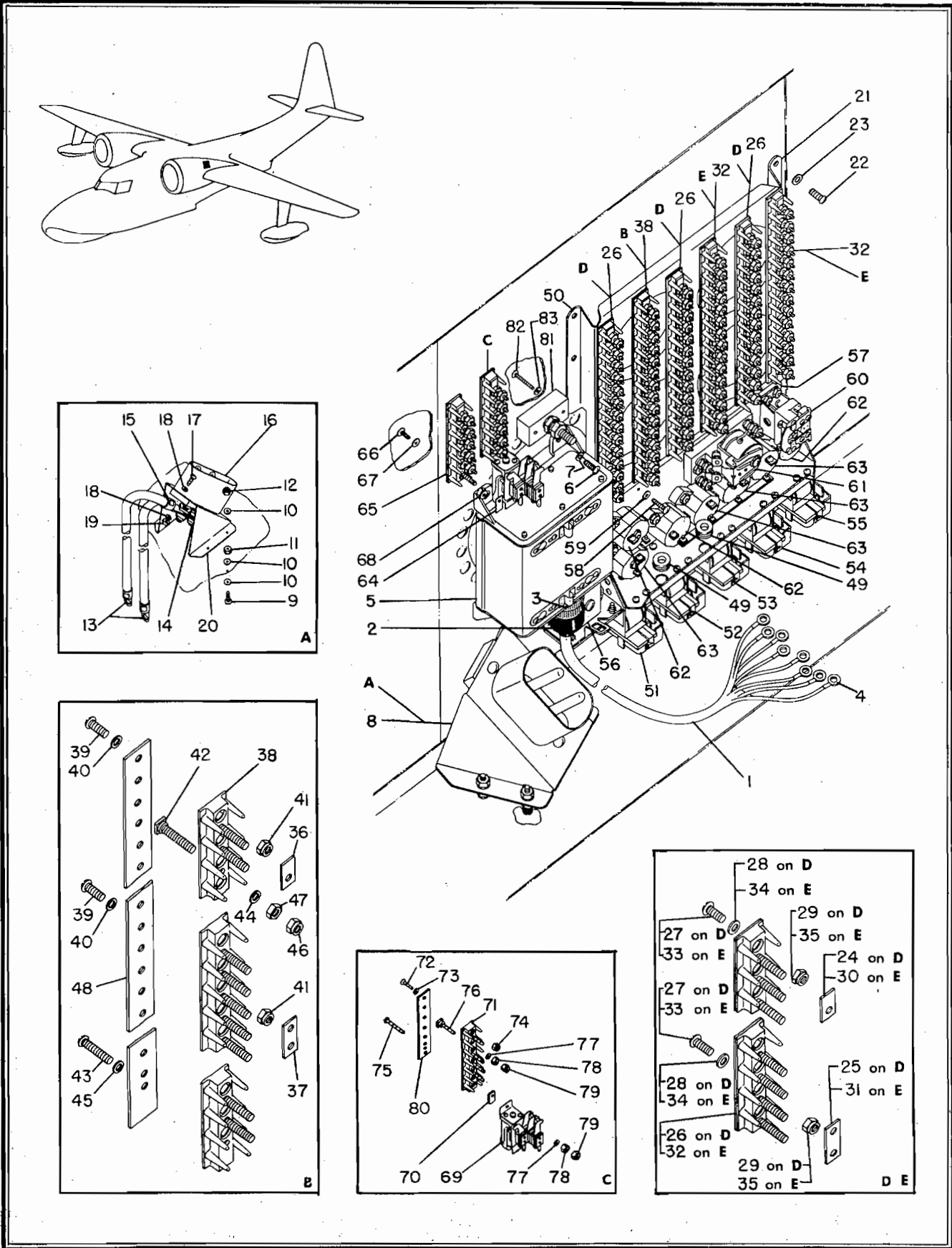


Figure 120—Main Distribution Junction Box Assembly and Installation
(See Fig. 121)



Figure &
Index No.

Part No.

Nomenclature
1 2 3 4 5 6 7

Units Usage
Per Assy Code

HULL (Cont)

Pilot's Compartment Terminal Panel Assembly (Cont)

119-14	G159-A20-12 Panel Assembly (iap)	2	All
		ATTACHING PARTS		
-15	AN515-4-5 Screw	8	All
-16	AN960D4L Washer	8	All
-17	AN365-440 Nut	8	All
-18	G166-1-10 Strip - Insulating	2	All
-19	G168-A5-12 Panel Assembly (iap)	1	All
		ATTACHING PARTS		
-20	AN515-4-5 Screw	2	All
-21	AN960D4L Washer	2	All
-22	AN365-440 Nut	2	All
-23	F26	. . . Terminal (The Thomas & Betts Co.)	2	All
-24	31889	. . . Terminal (Aircraft Marine Products, Inc.)	35	bj
	31889	. . . Terminal (Aircraft Marine Products, Inc.)	36	d
-25	31900	. . . Terminal (Aircraft Marine Products, Inc.)	15	All
-26	32544	. . . Terminal (Aircraft Marine Products, Inc.)	5	cg
	32544	. . . Terminal (Aircraft Marine Products, Inc.)	8	bo

Main Distribution Junction Box Assembly and Installation

120-	110056-2	. . Box Assembly and Installation - Main distribution junction (See Fig. 80-43)	Ref	bp
	110056-3	. . Box Assembly and Installation - Main distribution junction (See Fig. 80-43)	Ref	bq
	110056-4	. . Box Assembly and Installation - Main distribution junction (See Fig. 80-43)	Ref	br
	110056-5	. . Box Assembly and Installation - Main distribution junction (See Fig. 80-43)	Ref	bs
	110056-6	. . Box Assembly and Installation - Main distribution junction (See Fig. 80-43)	Ref	bt
	110056-7	. . Box Assembly and Installation - Main distribution junction (See Fig. 80-43)	Ref	bw
-1	110036	. . . Cable Assembly - Distribution box to temperature control box	1	All
-2	G355-3 Boot	1	All
-3	AN3106-18-1S Plug	1	All
-4	31889 Terminal (Aircraft Marine Products, Inc.)	8	All
-5	CYLZ-2343	. . . Box - Temperature control (Barber-Colman Co.)	1	All
		ATTACHING PARTS		
-6	AN515-8-2	. . . Screw	4	All
-7	AN960D8L	. . . Washer	4	All
-8	110148-1	. . . Bracket Assembly - Spare battery power receptacle (iap)	1	bz
		ATTACHING PARTS		
-9	AN520-10-12 Screw	4	bz
-10	AN960D10 Washer	12	bz
-11	AN345-10 Nut	4	bz
-12	AN365-1032 Nut	4	bz
-13	J-72 Terminal (The Thomas & Betts Co.)	2	bz

Section II
Group Assembly Parts List



Figure & Index No.	Part No.	Nomenclature	Units Per Assy	Usage Code
		1 2 3 4 5 6 7		
HULL (Cont)				
Main Distribution Junction Box Assembly and Installation (Cont)				
120-14	J2-73 Terminal (The Thomas & Betts Co.)	1	bz
-15	J-73 Terminal (The Thomas & Betts Co.)	1	bz
-16	AN2552-2 Receptacle	1	bz
		ATTACHING PARTS		
-17	AN515-10-14 Screw	2	bz
-18	AN960A10 Washer	4	bz
-19	AN365-1032 Nut	2	bz
-20	110148-2 Bracket	1	All
-21	110057-1 Plate Assembly (iap)	1	All
		ATTACHING PARTS		
-22	AN515-6-8 Screw	8	All
-23	AN960D6 Washer	8	All
-24	G158-1-6 Strip	6	All
-25	G158-2-6 Strip	3	All
-26	G159-A15-12 Panel Assembly (iap)	3	All
		ATTACHING PARTS		
-27	AN515-4-5 Screw	3	All
-28	AN960D4L Washer	3	All
-29	AN365-440 Nut	3	All
-30	G158-1-6 Strip	4	All
-31	G158-2-6 Strip	2	All
-32	G159-A16-12 Panel Assembly (iap)	2	All
		ATTACHING PARTS		
-33	AN515-4-5 Screw	3	All
-34	AN960D4L Washer	3	All
-35	AN365-440 Nut	3	All
-36	G158-1-6 Strip	1	All
-37	G158-2-6 Strip	1	All
-38	G154-A16 Panel (iap)	1	All
		ATTACHING PARTS		
-39	AN515-4-5 Screw	2	All
-40	AN960D4L Washer	2	All
-41	AN365-440 Nut	2	All
-42	G157-6-12 Screw	15	All
-43	AN515-6-16 Screw	1	All
-44	AN960-6 Washer	16	All
-45	AN960D6L Washer	1	All
-46	AN365-632 Nut	16	All
-47	AN340-6 Nut	16	All
-48	G153-79-2 Strip	1	All
-49	AN931-4-7 Grommet	2	All
-50	110057-2 Plate	1	All
-51	CR2791-B109A3 Relay - Fire extinguisher warning light (General Electric Co.)	1	All
		ATTACHING PARTS		
-51	AN515-6-6 Screw	4	All
-51	AN935-6 Washer	4	All
-51	AN960D6L Washer	4	All
-52	CR2791-B109A3 Relay - Cabin heater fire extinguisher director valve (General Electric Co.)	1	All
		ATTACHING PARTS		
-52	AN515-6-6 Screw	4	All



Figure & Index No.	Part No.	Nomenclature							Units Per Assy	Usage Code
		1	2	3	4	5	6	7		
HULL (Cont)										
Main Distribution Junction Box Assembly and Installation (Cont)										
120-52	AN935-6	. . .	Washer						4	All
-52	AN960D6L	. . .	Washer						4	All
-53	CR2791-B109R3	. . .	Relay - Cabin heater fire extinguisher cylinder (General Electric Co.)						1	All
ATTACHING PARTS										
-53	AN515-6-6	. . .	Screw						4	All
-53	AN935-6	. . .	Washer						4	All
-53	AN960D6L	. . .	Washer						4	All
-54	CR2791-B109R3	. . .	Relay - Left generator warning light (General Electric Co.)						1	ca
ATTACHING PARTS										
-54	AN515-6-6	. . .	Screw						4	ca
-54	AN935-6	. . .	Washer						4	ca
-54	AN960D6L	. . .	Washer						4	ca
-55	CR2791-B109R3	. . .	Relay - Right generator warning light (General Electric Co.)						1	ca
ATTACHING PARTS										
-55	AN515-6-6	. . .	Screw						4	ca
-55	AN935-6	. . .	Washer						4	ca
-55	AN960D6L	. . .	Washer						4	ca
-56	CR2791-B109R3	. . .	Relay - Cabin heater ram air pressure switch (General Electric Co.)						1	cb
ATTACHING PARTS										
-56	AN515-6-6	. . .	Screw						4	cb
-56	AN935-6	. . .	Washer						4	cb
-56	AN960D6L	. . .	Washer						4	cb
-57	111818	. . .	Block (iap)						1	All
ATTACHING PARTS										
-58	AN515-6-12	Screw						4	All
-59	AN960D6L	Washer						4	All
-60	BO-15-D35	. . .	Relay (Allied Control Co., Inc.)						1	All
ATTACHING PARTS										
-60	AN505-6-12	. . .	Screw						4	All
-61	B-2A	. . .	Relay (Guardian Electric Co.)						1	All
ATTACHING PARTS										
-61	AN505-6-12	. . .	Screw						2	All
-61	AN960D6L	. . .	Washer						2	All
-61	AN365-632	. . .	Nut						2	All
-62	PA-5	. . .	Circuit breaker (Spencer Thermostat Co.)						3	All
ATTACHING PARTS										
-62	AN505-6-12	. . .	Screw						6	All
-63	PA-10	. . .	Circuit breaker (Spencer Thermostat Co.)						4	All
ATTACHING PARTS										
-63	AN505-6-12	. . .	Screw						8	All
-64	G158-1-6	. . .	Strip						2	All

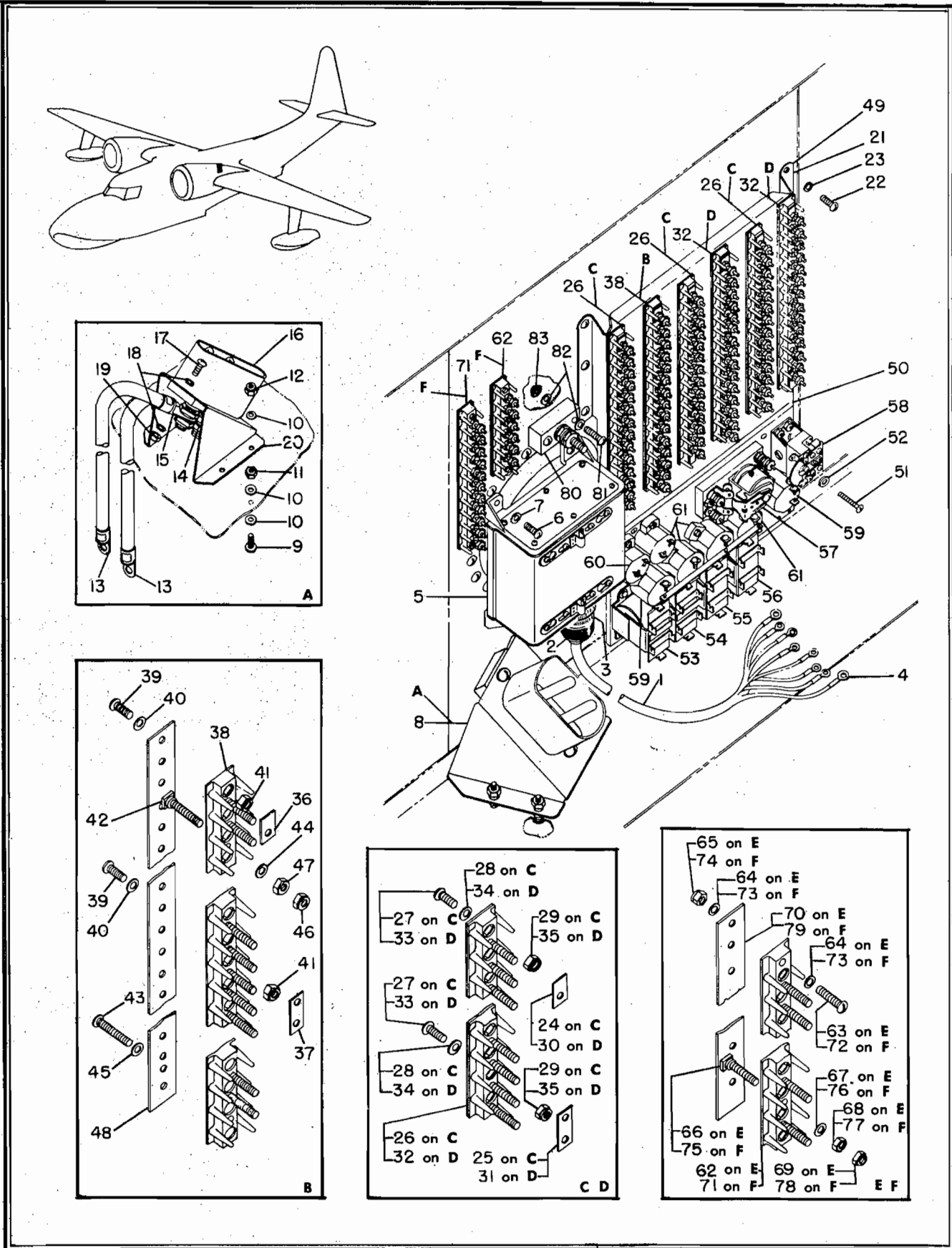


Figure 121—Main Distribution Junction Box Assembly and Installation
(See Fig. 120)



Section II
Group Assembly Parts List

Figure & Index No.	Part No.	Nomenclature 1 2 3 4 5 6 7	Units Per Assy	Usage Code
HULL (Cont)				
Main Distribution Junction Box Assembly and Installation (Cont)				
120-65	G159-A6-12 Panel Assembly (iap)	1	All
		ATTACHING PARTS		
-66	AN515-4-5 Screw	2	All
-67	AN960D4L Washer	2	All
-68	AN365-440 Nut	2	All
-69	Type KWG-1021	. . . Relay (C.P. Clare and Co.)	1	bp
		ATTACHING PARTS		
-69	AN515-5-4	. . . Screw	2	bp
-69	AN935-5	. . . Washer	2	bp
-69	AN960D4L	. . . Washer	2	bp
-70	G158-1-6	. . . Strip	1	All
-71	G154-A6	. . . Panel (iap)	1	All
		ATTACHING PARTS		
-72	AN515-4-5 Screw	1	All
-73	AN960D4L Washer	1	All
-74	AN365-440 Nut	1	All
-75	AN515-6-16	. . . Screw	1	All
-76	G157-6-12	. . . Screw	5	All
-77	AN960-6	. . . Washer	6	All
-78	AN340-6	. . . Nut	6	All
-79	AN365-632	. . . Nut	6	All
-80	G153-32-2	. . . Strip	1	All
-81	56412	. . . Block Assembly - Terminal (iap)	1	All
		ATTACHING PARTS		
-82	AN515-8-14 Screw	2	All
-83	AN960D8L Washer	2	All
121-	110072-1	. . Box Assembly and Installation - Main distribution (See Fig. 80-43)	Ref	bw
	110072-2	. . Box Assembly and Installation - Main distribution (See Fig. 80-43)	Ref	bx
	110072-3	. . Box Assembly and Installation - Main distribution (See Fig. 80-43)	Ref	by
-1	110036	. . . Cable Assembly - Distribution box to temperature control box	1	All
-2	G355-3 Boot	1	All
-3	AN3106-18-1S Plug	1	All
-4	31889 Terminal (Aircraft Marine Products, Inc.)	8	All
-5	CYLZ-2343	. . . Box - Temperature control (Barber-Colman Co.)	1	All
		ATTACHING PARTS		
-6	AN515-8-8	. . . Screw	4	All
-7	AN960D8L	. . . Washer	4	All
-8	110148-1	. . . Bracket Assembly - Spare battery power receptacle (iap)	1	All
		ATTACHING PARTS		
-9	AN520-10-12 Screw	4	All
-10	AN960D10 Washer	12	All
-11	AN345-10 Nut	4	All
-12	AN365-1032 Nut	4	All
-13	J-72 Terminal (The Thomas & Betts Co.)	2	All
-14	J2-73 Terminal (The Thomas & Betts Co.)	1	All
-15	J-73 Terminal (The Thomas & Betts Co.)	1	All

Section II
Group Assembly Parts List



Figure & Index No.	Part No.	Nomenclature							Units Per Assy	Usage Code
		1	2	3	4	5	6	7		
HULL (Cont)										
Main Distribution Junction Box Assembly and Installation (Cont)										
121-16	AN2552-2	Receptacle						1	All
		ATTACHING PARTS								
-17	AN515-10-14	Screw						2	All
-18	AN960A10	Washer						4	All
-19	AN365-1032	Nut						2	All
-20	110148-2	Bracket						1	All
-21	110057-3	Plate Assembly (iap)						1	All
		ATTACHING PARTS								
-22	AN515-6-8	Screw						8	All
-23	AN960D6	Washer						8	All
-24	G158-1-6	Strip - Insulating						6	All
-25	G158-2-6	Strip - Insulating						3	All
-26	G159-A15-12	Panel Assembly (iap)						3	All
		ATTACHING PARTS								
-27	AN515-4-5	Screw						3	All
-28	AN960D4L	Washer						3	All
-29	AN365-440	Nut						3	All
-30	G158-1-6	Strip - Insulating						4	All
-31	G158-2-6	Strip - Insulating						2	All
-32	G159-A16-12	Panel Assembly (iap)						2	All
		ATTACHING PARTS								
-33	AN515-4-5	Screw						3	All
-34	AN960D4L	Washer						3	All
-35	AN365-440	Nut						3	All
-36	G158-1-6	Strip - Insulating						1	All
-37	G158-2-6	Strip - Insulating						1	All
-38	G154-A16	Panel (iap)						1	All
		ATTACHING PARTS								
-39	AN515-4-5	Screw						2	All
-40	AN960D4L	Washer						2	All
-41	AN365-440	Nut						2	All
-42	G157-6-12	Screw						15	All
-43	AN515-6-16	Screw						1	All
-44	AN960-6	Washer						16	All
-45	AN960D6L	Washer						1	All
-46	AN365-632	Nut						16	All
-47	AN340-6	Nut						16	All
-48	G153-79-2	Strip - Connector panel						1	All
-49	110057-4	Plate						1	All
-50	111862-1	Block (iap)						1	All
		ATTACHING PARTS								
-51	AN515-6-12	Screw						4	All
-52	AN960D6L	Washer						4	All
-53	CR2791-B109A3	Relay - Fire extinguisher warning light (General Electric Co.)						1	bw
		ATTACHING PARTS								
-53	AN505-6-6	Screw						4	bw
-54	CR2791-B109A3	Relay - Cabin heater fire extinguisher director (General Electric Co.)						1	bw



Figure & Index No.	Part No.	Nomenclature							Units Per Assy	Usage Code
		1	2	3	4	5	6	7		
HULL (Cont)										
Main Distribution Junction Box Assembly and Installation (Cont)										
121-		ATTACHING PARTS								
-54	AN505-6-6	. . .	Screw						4	bw
-55	CR2791-B109R3	. . .	Relay - Cabin heater fire extinguisher cylinder assembly (General Electric Co.)						1	bw
		ATTACHING PARTS								
-55	AN505-6-6	. . .	Screw						4	bw
-56	CR2791-B109R3	. . .	Relay - Cabin heater ram air pressure (General Electric Co.)						1	All
		ATTACHING PARTS								
-56	AN505-6-6	. . .	Screw						4	All
-57	B-2A	. . .	Relay - Cabin heater combustion fan (Guardian Electric Manufacturing Co.)						1	All
		ATTACHING PARTS								
-57	AN505-6-12	. . .	Screw						2	All
-57	AN960D6L	. . .	Washer						2	All
-57	AN365-632	. . .	Nut						2	All
-58	B0-15-D35	. . .	Relay - Cabin heater ventilating fan (Allied Control Co., Inc.)						1	All
		ATTACHING PARTS								
-58	AN505-6-12	. . .	Screw						4	All
-59	PA-5	. . .	Breaker - Circuit (Spencer Thermostat Co.)						2	All
		ATTACHING PARTS								
-59	AN505-6-12	. . .	Screw						4	All
-60	PA-5	. . .	Breaker - Circuit (Spencer Thermostat Co.)						1	by
		ATTACHING PARTS								
-60	AN505-6-12	. . .	Screw						2	by
-61	PA-10	. . .	Breaker - Circuit (Spencer Thermostat Co.)						4	All
		ATTACHING PARTS								
-61	AN505-6-12	. . .	Screw						8	All
-62	G154-B10	. . .	Panel (iap)						1	All
		ATTACHING PARTS								
-63	AN515-6-10	Screw						2	All
-64	AN960D6	Washer						4	All
-65	AN365-632	Nut						2	All
-66	G157-6-12	. . .	Screw						8	All
-67	AN960-6	. . .	Washer						8	All
-68	AN340-6	. . .	Nut						8	All
-69	AN365-632	. . .	Nut						8	All
-70	G153-46-4	. . .	Strip						1	All
-71	G154-B14	. . .	Panel (iap)						1	All
		ATTACHING PARTS								
-72	AN515-6-10	Screw						2	All
-73	AN960D6	Washer						4	All
-74	AN365-632	Nut						2	All
-75	G157-6-12	Screw						12	All
-76	AN960-6	Washer						12	All
-77	AN340-6	Nut						12	All

Section II
Group Assembly Parts List

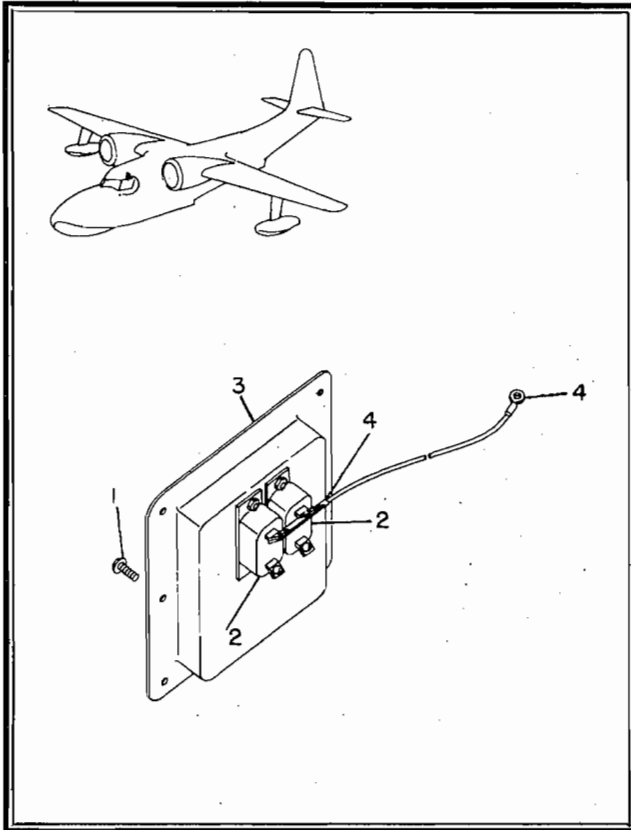


Figure 122—Left Auxiliary Switch Panel Assembly

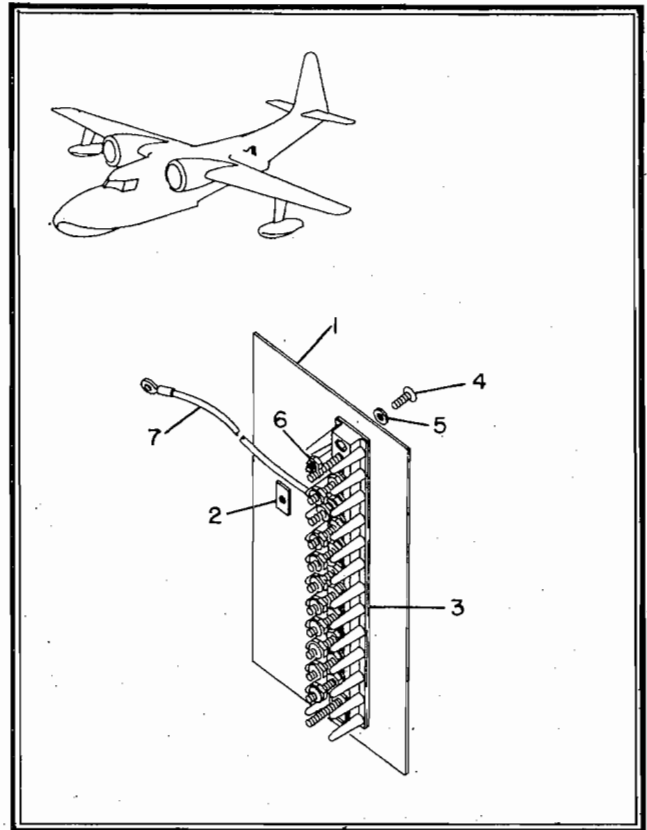


Figure 123—Cabin Heater Terminal Panel Assembly

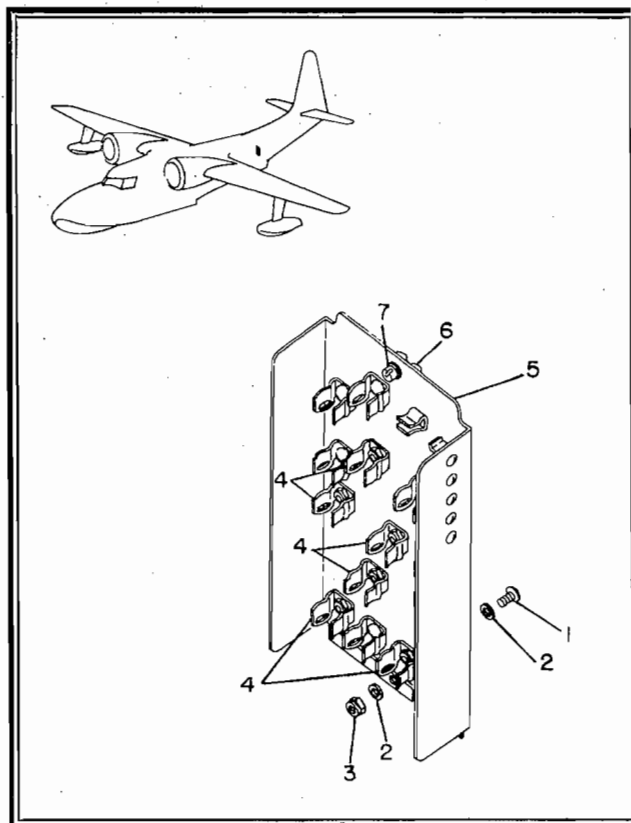


Figure 124—Spare Lamp Box Assembly



Figure &
Index No.

Part No.

Nomenclature
1 2 3 4 5 6 7

Units Usage
Per Assy Code

HULL (Cont)

Main Distribution Junction Box Assembly and Installation (Cont)

121-78	AN365-632 Nut	12	All
-79	G153-65-4	. . . Strip	1	All
-80	56412	. . . Block Assembly (iap)	1	All
		ATTACHING PARTS		
-81	AN515-8-14 Screw	2	All
-82	AN960D8L Washer	4	All
-83	AN365-832 Nut	2	All

Left Auxiliary Switch Panel Assembly

122-	110147-1	. . Panel Assembly - Left auxiliary switch (iap) (See Fig. 80-42)	Ref	k
		ATTACHING PARTS		
-1	AN526-6-8	. . . Screw	6	k
-2	AN3022-2	. . . Switch - No smoking and fasten seat belt	2	k
		ATTACHING PARTS		
-2	AN515-6-7	. . . Screw	4	k
-3	110110-2	. . . Panel - Switch	1	k
-4	31889	. . . Terminal (Aircraft Marine Products, Inc.)	2	k

Cabin Heater Terminal Panel Assembly

123-	110151-1	. . Panel Assembly - Cabin heater terminal (See Fig. 80-58)	Ref	j
-1	110151-2	. . . Nameplate	1	j
-2	G158-1-6	. . . Strip - Insulating	2	j
-3	G159-A12-12	. . . Panel Assembly (iap)	1	j
		ATTACHING PARTS		
-4	AN515-4-5 Screw	2	j
-5	AN960D4L Washer	2	j
-6	AN365-440 Nut	2	j
-7	NAF1065D3	. . . Jumper - Bonding	1	j

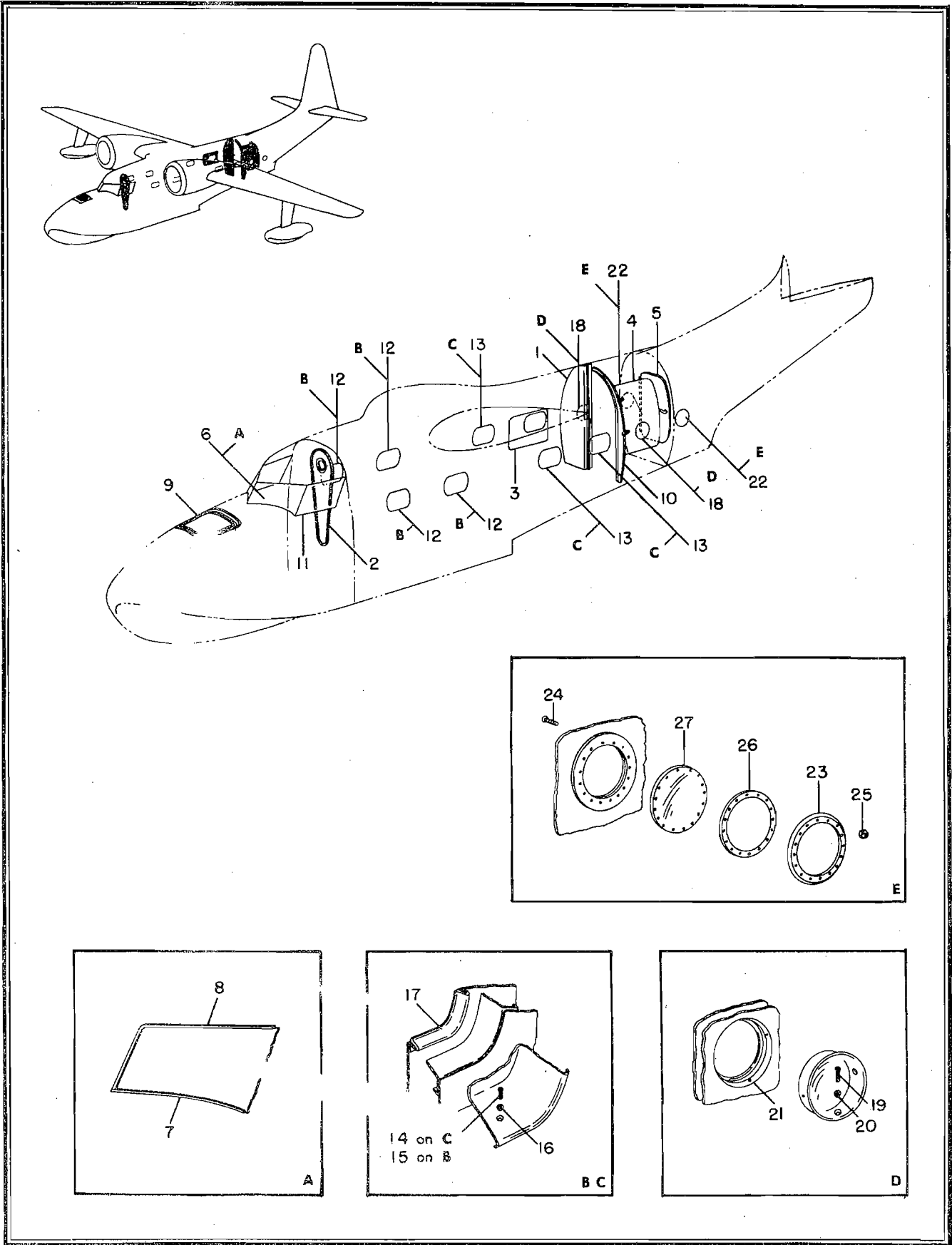


Figure 125—Curtain, Doors, Glass, Hatch, Panel and Windows



Figure &
Index No.

Part No.

Nomenclature
1 2 3 4 5 6 7

Units Usage
Per Assy Code

HULL (Cont)

Spare Lamp Box Assembly

124-	110144-1	. . . Box Assembly - Spare lamp (iap) (See Fig. 80-44)	Ref	bv
		ATTACHING PARTS		
-1	AN515-6-6	. . . Screw	3	by
-2	AN960D6	. . . Washer	6	bv
-3	AN365-632	. . . Nut	3	bv
-4	1221	. . . Clip - Lamp (Littlefuse, Inc.)	6	bv
		ATTACHING PARTS		
-4	AN515-6-6	. . . Screw	6	bv
-4	AN960A6L	. . . Washer	6	bv
-4	AN365-632	. . . Nut	6	bv
-5	110144-2	. . . Box	1	bv
-6	AW4-30 Fastener (Dzus Fastener Co., Inc.)	1	bv
-7	GA4-250 Grommet (Dzus Fastener Co., Inc.)	1	bv

Curtain, Doors, Glass, Hatch, Panel and Windows

125-1	110315	. . . Curtain and Partition Installation - Lavatory (See Fig. 126)	1	All
-2	111166	. . . Door Assembly - Pilot cockpit (See Fig. 127)	1	All
-3	107017-1	. . . Door Assembly - Right side auxiliary (See Fig. 128)	1	All
-4	107016-17	. . . Door Assembly - Main cabin entrance (iap) (See Fig. 129)	1	All
-5	107021	. . . Door Assembly - Sta. 348 watertight bulkhead (See Fig. 130)	1	All
-6	107254-1L	. . . Glass - Windshield L.H.	1	All
	107254-1R	. . . Glass - Windshield R.H.	1	All
-7	107003-9	. . . Seal	1	All
-8	107003-8	. . . Seal	1	All
-9	107013-1	. . . Hatch Assembly	1	All
-10	110436	. . . Panel Assembly - Sta. 340 left side	1	All
-11	No Number	. . . Window Assembly - Cockpit side L.H. (See Fig. 131) (Reference Grumman drawing no. 107025)	1	All
	No Number	. . . Window Assembly - Cockpit side R.H. (See Fig. 131) (Reference Grumman drawing no. 107025)	1	All
-12	107200-1	. . . Window Assembly - Cabin main (iap)	4	All
-13	107200	. . . Window Assembly - Cabin main (iap)	3	All
		ATTACHING PARTS		
-14	G383-6-8	. . . Screw (used with Index no. 13)	8	All
-15	G383-6-10	. . . Screw (used with Index no. 12)	8	All
-16	C169 #6	. . . Washer (Edwin B. Stimpson Co.)	8	All
-17	SP3600	. . . Seal	1	All

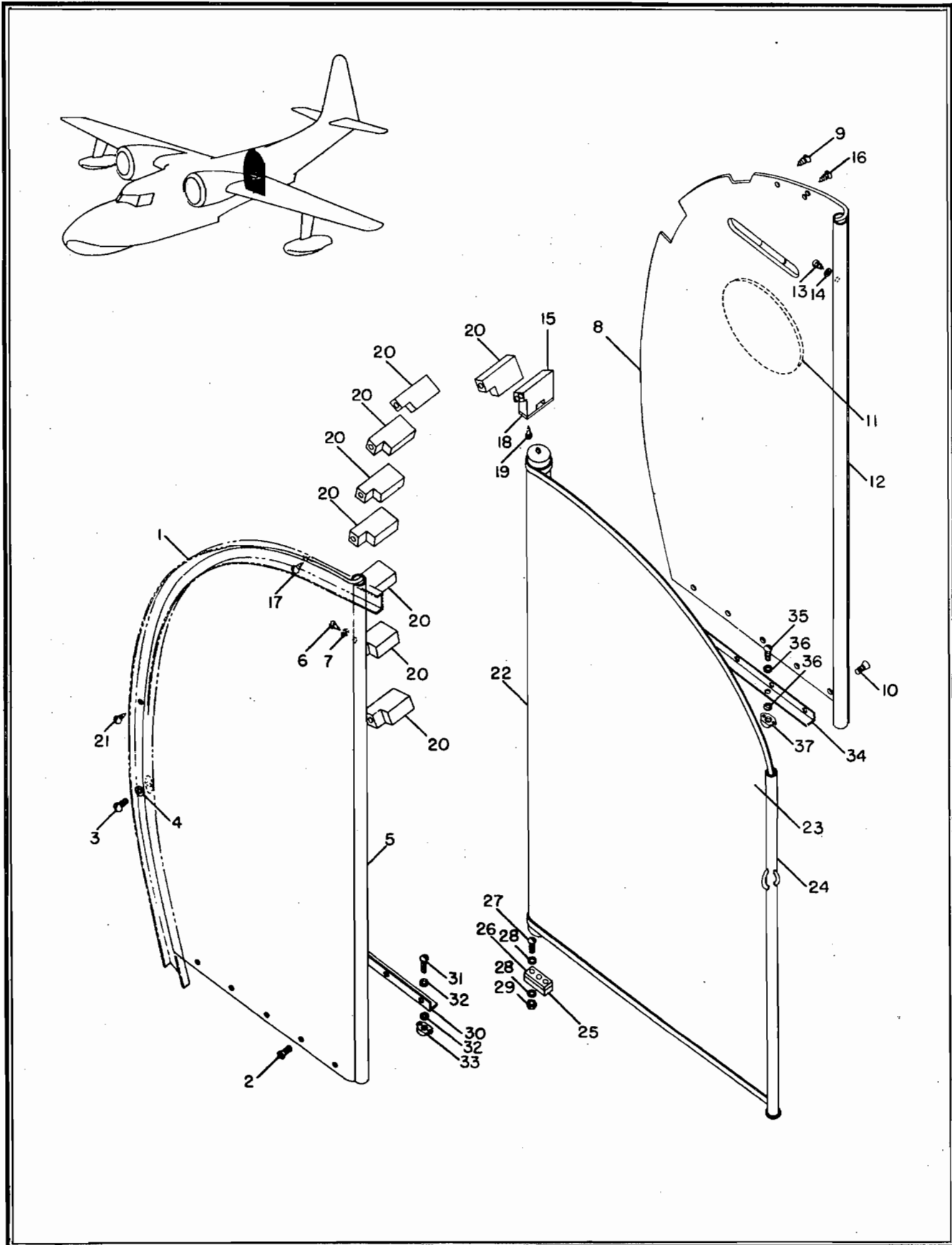


Figure 126—Curtain and Partition Installation



Figure & Index No.	Part No.	Nomenclature							Units Per Assy	Usage Code
		1	2	3	4	5	6	7		
HULL (Cont)										
Curtain, Doors, Glass, Hatch, Panel and Windows (Cont)										
125-18	107221-3	. Window Assembly - Rear (iap)							2	All
		ATTACHING PARTS								
-19	G383-6-8	. . Screw							4	All
-20	C169 #6	. . Washer (Edwin B. Stimpson Co.)							4	All
-21	SP3600	. . Seal							1	All
-22	107370	. Window - Baggage compartment							2	All
-23	107370-3	. . Frame (iap)							1	All
		ATTACHING PARTS								
-24	Comm.	. . . Screw - Phillips head countersunk #8-32 x 5/8							16	All
-25	AN365-832	. . . Nut							16	All
-26	107370-4	. . Cushion							1	All
-27	107370-1	. . Window							1	All

Curtain and Partition Installation

126-	110315	. Curtain and Partition Installation (See Fig. 125-1)							Ref	All
-1	110390-2	. . Panel Assembly - Front (iap)							1	All
		ATTACHING PARTS								
-2	G92-12	. . . Screw							5	All
-3	AN515-8-12	. . . Screw							10	All
-4	AN960D8L	. . . Washer							10	All
-5	110390-3	. . . Tube (iap)							1	All
		ATTACHING PARTS								
-6	AN545-4-3 Screw							7	All
-7	AN960D4 Washer							7	All
-8	110390-1	. . Panel Assembly - Rear (iap)							1	All
		ATTACHING PARTS								
-9	AN550-6-6	. . . Screw							8	All
-10	G92-12	. . . Screw							5	All
-11	110415	. . . Mirror							1	All
-12	110390-3	. . . Tube (iap)							1	All
		ATTACHING PARTS								
-13	AN545-4-3 Screw							7	All
-14	AN960D4 Washer							7	All
-15	110313-2	. . Block - Curtain bearing (iap)							1	All
		ATTACHING PARTS								
-16	AN550-6-6	. . . Screw							4	All
-17	AN545-6-6	. . . Screw							2	All
-18	110314-1	. . Plate (iap)							1	All
		ATTACHING PARTS								
-19	AN545-6-6	. . . Screw							2	All
-20	110313-1	. . Block (iap)							8	All
		ATTACHING PARTS								
-21	AN545-6-6	. . . Screw							1	All
-22	110312-7	. . Curtain and Rod Assembly							1	All
-23	110312	. . . Curtain Assembly							1	All
-24	110504	. . . Rod Assembly							1	All
-25	110313-3	. . Block - Curtain bearing							1	All

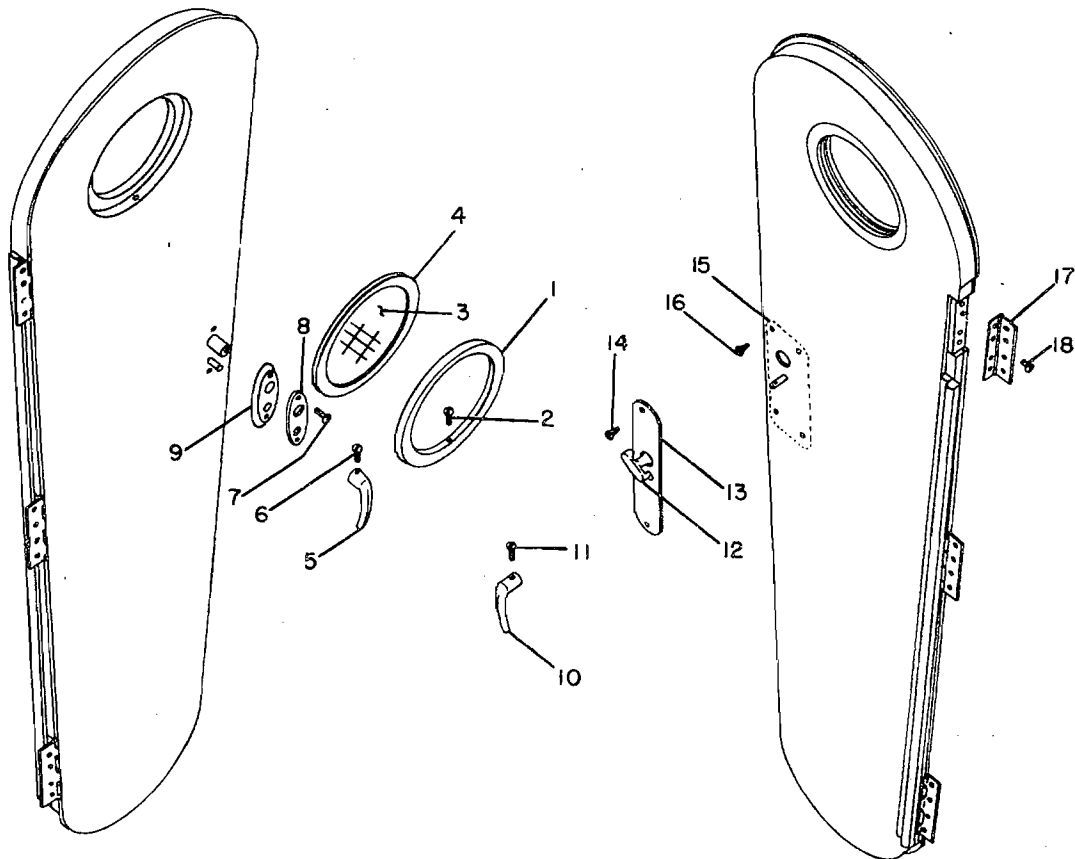
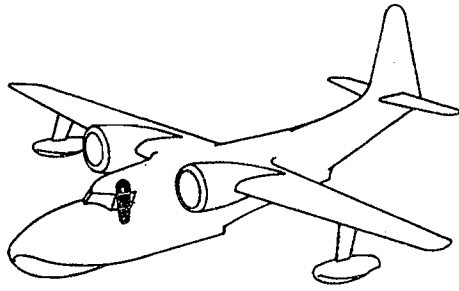


Figure 127—Pilot Cockpit Door Assembly



Section II
Group Assembly Parts List

Figure & Index No.	Part No.	Nomenclature 1 2 3 4 5 6 7	Units Per Assy	Usage Code
HULL (Cont)				
Curtain and Partition Installation (Cont)				
126-26	110314-2	. . . Plate (iap)	1	All
		ATTACHING PARTS		
-27	AN515-8-20	. . . Screw	2	All
-28	AN960D8L	. . . Washer	4	All
-29	AN365-832	. . . Nut	2	All
-30	110315-1	. . Angle Assembly (iap)	1	All
		ATTACHING PARTS		
-31	AN515-8-14	. . . Screw	5	All
-32	AN960D8L	. . . Washer	10	All
-33	22-A21-82	. . . Nut (Elastic Stop Nut Corp.)	5	All
-34	110315-1	. . Angle Assembly (iap)	1	All
		ATTACHING PARTS		
-35	AN515-8-14	. . . Screw	5	All
-36	AN960D8L	. . . Washer	10	All
-37	22-A21-82	. . . Nut	5	All
Pilot Cockpit Door Assembly				
127-	111166	. Door Assembly - Pilot Cockpit (See Fig. 125-2)	Ref	All
-1	111166-8	. . Ring (iap)	1	All
		ATTACHING PARTS		
-2	Comm.	. . . Screw - Phillips oval head nickel plated brass wood #6 x 1/2	4	All
-3	111166-10	. . Window	1	All
-4	111166-12	. . Seal - Rubber	1	All
-5	360	. . Handle - Lever (Rite Hardware Mfg. Co.)	1	All
		ATTACHING PARTS		
-6	AN505-6-3	. . Screw	1	All
-7	G383-6-12	. . Screw	2	All
-8	111166-6	. . Escutcheon	1	All
-9	111166-11	. . Block	1	All
-10	360	. . Handle - Lever (Rite Hardware Mfg. Co.)	1	All
		ATTACHING PARTS		
-11	AN505-6-3	. . Screw	1	All
-12	40-1A	. . Turn - Thumb (Rite Hardware Mfg. Co.)	1	All
-13	111166-7	. . Escutcheon (iap)	1	All
		ATTACHING PARTS		
-14	Comm.	. . . Screw - Phillips oval head nickel plated brass wood #6 x 1/2	2	All
-15	51	. . Lock - Yale five pin tumbler (Rite Hardware Mfg. Co.)	1	All
		ATTACHING PARTS		
-16	AN545-8-4	. . Screw	4	All
-17	111166-4	. . Hinge (iap)	3	All
		ATTACHING PARTS		
-18	AN550-8-6	. . . Screw	4	All

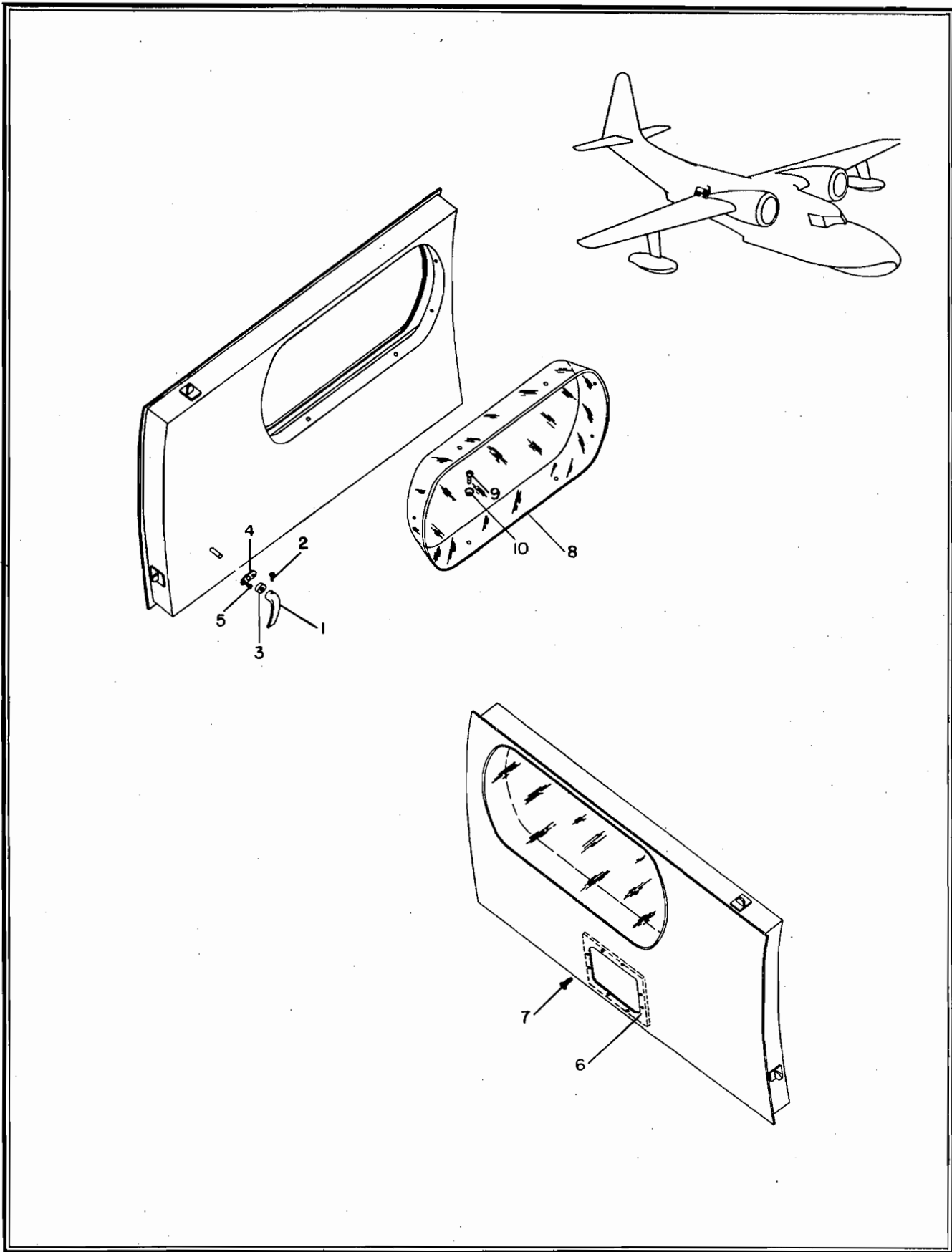


Figure 128—Right Side Auxiliary Exit Assembly



Figure & Index No.	Part No.	Nomenclature							Units Per Assy	Usage Code
		1	2	3	4	5	6	7		
HULL (Cont)										
Right Side Auxiliary Exit Assembly										
128-	107017-1	Ref	All
-1	360	1	All
		ATTACHING PARTS								
-2	AN505-632-6	1	All
-3	107533	1	All
-4	G359	1	All
		ATTACHING PARTS								
-5	NAF1029B-4C-4	2	All
-6	107497	1	All
		ATTACHING PARTS								
-7	NAF1029B-8-6	8	All
-8	107200	1	All
		ATTACHING PARTS								
-9	G383-8-8	8	All
-10	601-6	8	All

Section II
Group Assembly Parts List

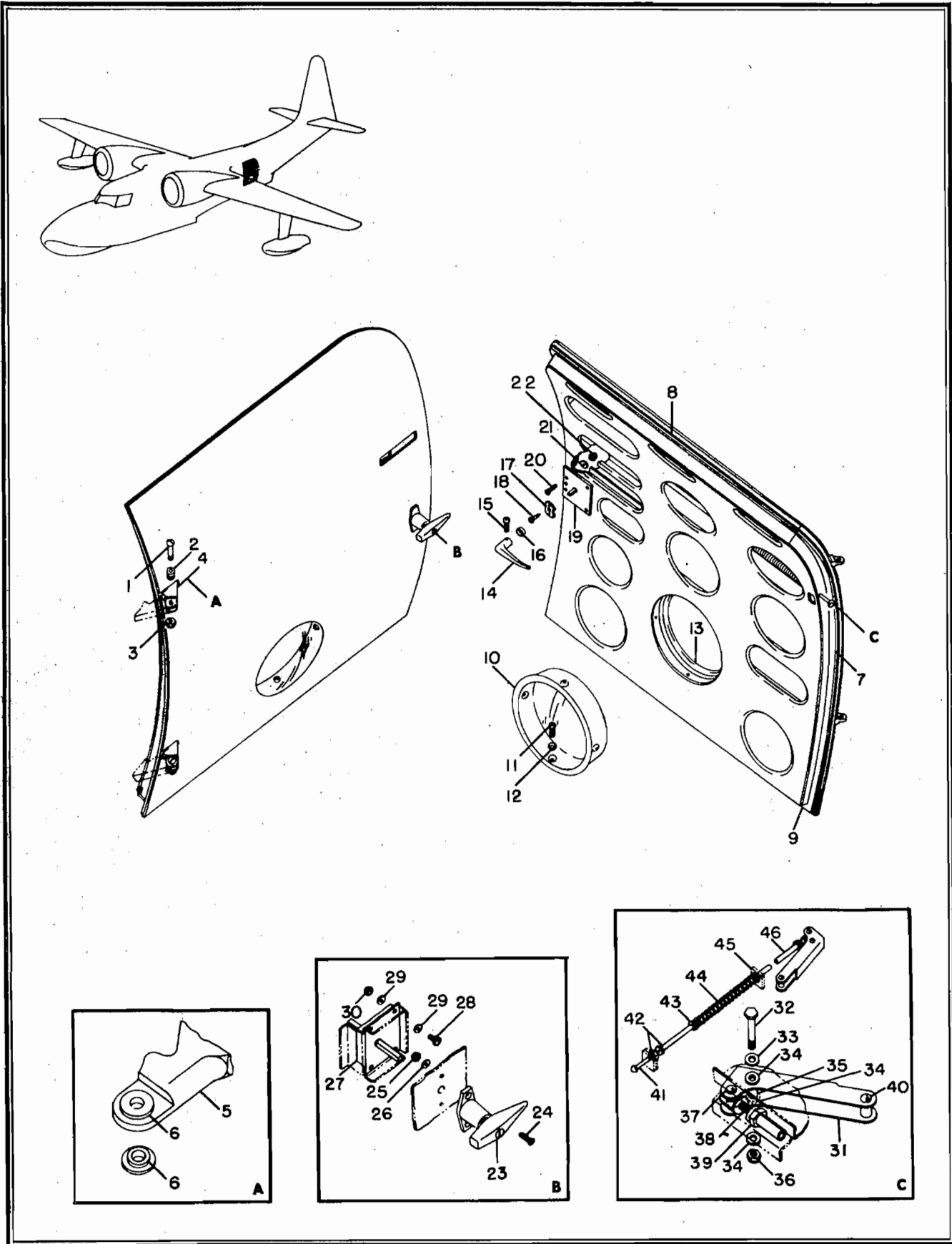


Figure 129—Main Cabin Entrance Door Assembly



Section II
Group Assembly Parts List

Figure & Index No.	Part No.	Nomenclature	Units Per Assy	Usage Code
		1 2 3 4 5 6 7		
HULL (Cont)				
Main Cabin Entrance Door Assembly				
129-	107016-17	. Door Assembly - Main cabin entrance (iap) (See Fig. 125-4)	Ref	All
ATTACHING PARTS				
-1	AN24-16A	. . Bolt	2	All
-2	G25-H4-6	. . Bushing	2	All
-3	AN364-428	. . Nut	2	All
-4	107486	. . Hinge Assembly	2	All
-5	112337	. . . Fitting	2	All
-6	G27-7-4	. . . Bushing	4	All
-7	107016-25	. . Strip - Sealing	1	All
-8	107016-26	. . Strip - Sealing	1	All
-9	107016-27	. . Strip - Sealing	1	All
-10	107221-3	. . Window (iap)	1	All
ATTACHING PARTS				
-11	G383-832-8	. . . Screw	4	All
-12	601-8	. . . Washer (Air Associates, Inc.)	4	All
-13	SP3600	. . Seal - Window	1	All
-14	360	. . Handle (Rite Hardware Manufacturing Co.)	1	All
ATTACHING PARTS				
-15	G383-632-8	. . Screw	1	All
-16	107533	. . Collar - Door handle	1	All
-17	G359	. . Escutcheon (iap)	1	All
ATTACHING PARTS				
-18	G384-4-2	. . . Screw	2	All
-19	107016-20	. . Plate (iap)	1	All
ATTACHING PARTS				
-20	AN505-6-5	. . . Screw	5	All
-21	AN960D6L	. . . Washer	5	All
-22	AN365-632	. . . Nut	5	All
-23	R-25A	. . Handle (Rite Hardware Manufacturing Co.)	1	All
ATTACHING PARTS				
-24	G93-12	. . Screw	2	All
-25	AN960D10L	. . Washer	2	All
-26	AN365-1032	. . Nut	2	All
27	52-3A	. . Latch (Rite Hardware Manufacturing Co.)	1	All
ATTACHING PARTS				
-28	AN525-1032-8	. . Screw	4	All
-29	AN960D10L	. . Washer	8	All
-30	AN365-1032	. . Nut	4	All
-31	107399-1	. . Channel - Door stop (iap)	1	All
ATTACHING PARTS				
-32	AN3-15	. . . Bolt	1	All
-33	AN960D10L	. . . Washer	1	All
-34	AN960D10	. . . Washer	3	All
-35	G5-3-58	. . . Spacer	1	All
-36	AN365-1032	. . . Nut	1	All
-37	G20-6-16	. . . Rivet	1	All
-37	G65-5-16	. . . Bushing	2	All
-37	G5-3-48	. . . Spacer	1	All
-38	112351	. . . Eyebolt	1	All

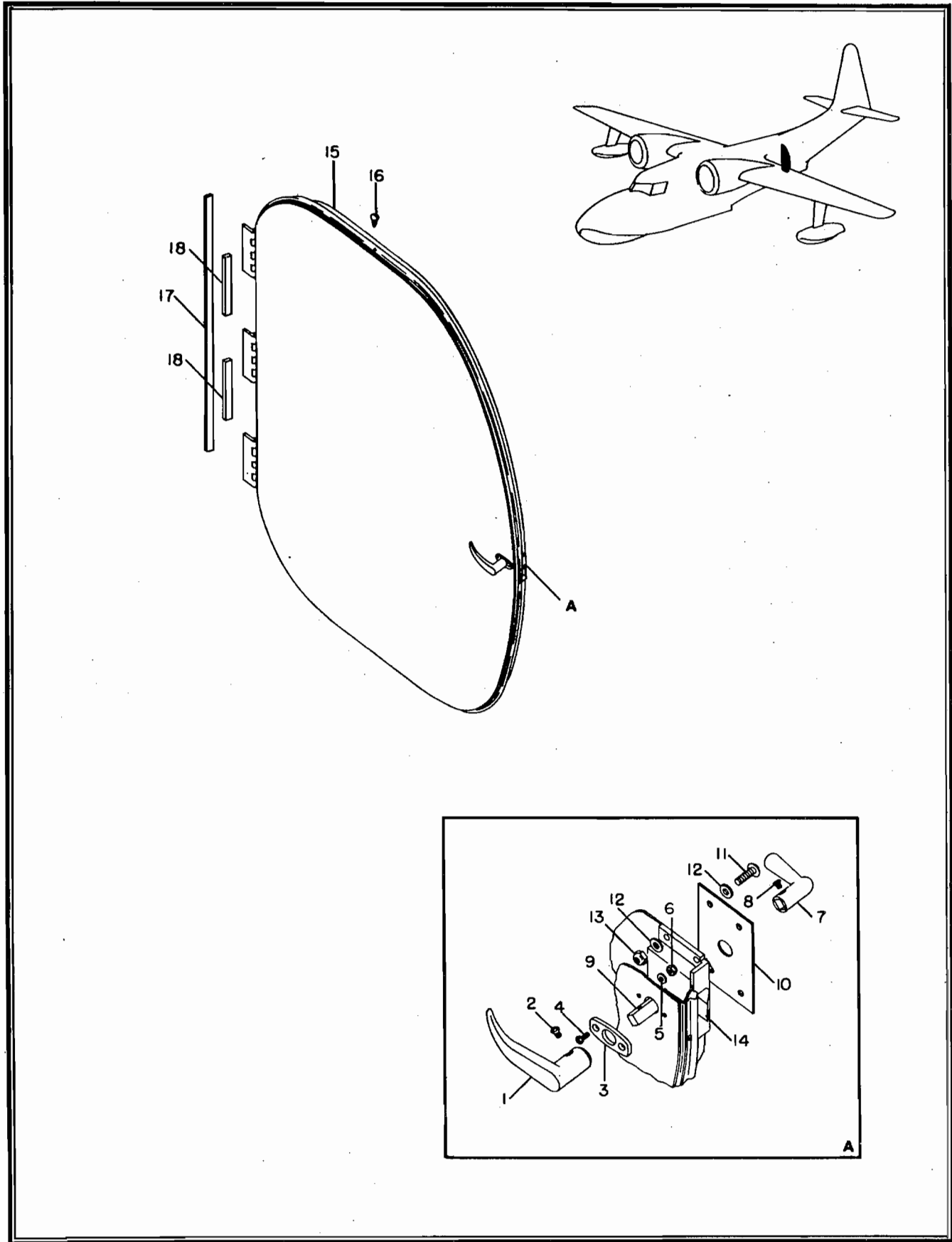


Figure 130—Sta. 348 Watertight Bulkhead Door Assembly



Section II
Group Assembly Parts List

Figure & Index No.	Part No.	Nomenclature							Units Per Assy	Usage Code
		1	2	3	4	5	6	7		
HULL (Cont)										
Main Cabin Entrance Door Assembly (Cont)										
129-39	AN365-428	. . .						Nut	1	All
-40	G20-6-16	. . .						Rivet	1	All
-40	G5-3-48	. . .						Spacer	1	All
-41	112350	. .						Plunger	1	All
-42	AN365-428	. .						Nut	2	All
-43	AN960-616	. .						Washer	1	All
-43	AN380C3-3	. .						Cotter	1	All
-44	G101-228	. .						Spring	1	All
-45	AN960-516	. .						Washer	1	All
-46	112349	. .						Tube - Door stop actuating	1	All
Sta. 348 Watertight Bulkhead Door Assembly										
130-	107021	. Door Assembly - Sta. 348 watertight bulkhead (See Fig. 125-5)							Ref	All
-1	360	. . Handle (Rite Hardware Manufacturing Co.)							1	All
ATTACHING PARTS										
-2	Comm.	. . Screw - Countersunk oval head #6-32 x 1/4 nickle plated steel							1	All
-3	G359	. . Escutcheon (iap)							1	All
ATTACHING PARTS										
-4	Comm.	. . . Screw - Countersunk oval head #4-40 x 3/8 nickle plated steel							2	All
-5	AN960A4L	. . . Washer							2	All
-6	AN365-440	. . . Nut							2	All
-7	112354	. . Handle (iap)							1	All
ATTACHING PARTS										
-8	AN505-6-3	. . . Screw							1	All
-9	107021-17	. . Shaft							1	All
-10	107021-16	. . Plate (iap)							1	All
ATTACHING PARTS										
-11	AN526-1032-10	. . . Screw							4	All
-12	AN960A10L	. . . Washer							8	All
-13	AN365-1032	. . . Nut							4	All
-14	53-2	. . Latch (Rite Hardware Manufacturing Co.)							1	All
-15	107021-13	. . Strip - Sealing (iap)							1	All
ATTACHING PARTS										
-16	4R Type A x 3/8	. . . Screw - Cadmium plated (Parker Kalon Corp.)							30	All
-17	107021-18	. . Strip - Sealing							1	All
-18	107021-20	. . Strip - Sealing							2	All

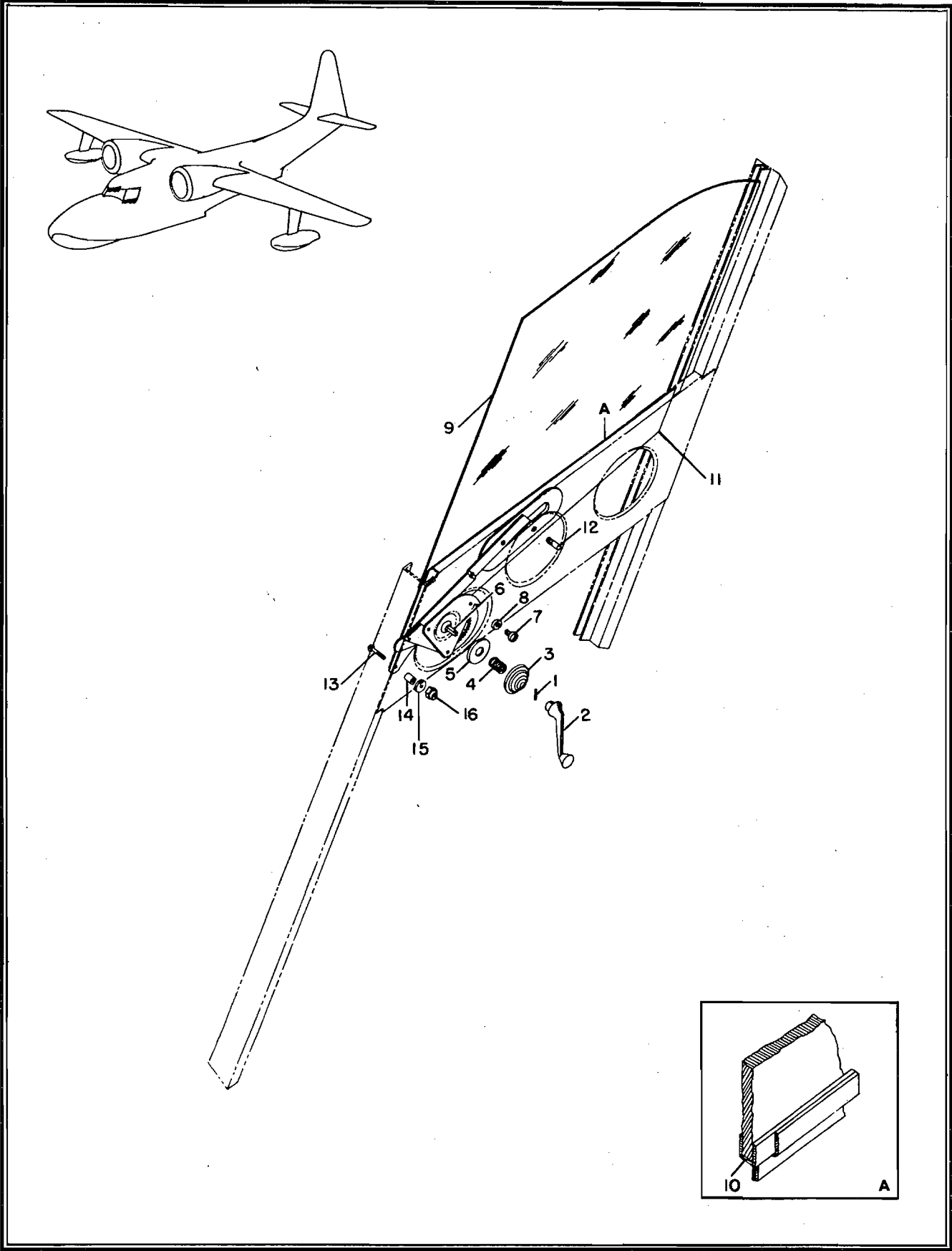


Figure 131—Cockpit Side Window Assembly



Section II
Group Assembly Parts List

Figure & Index No.	Part No.	Nomenclature							Units Per Assy	Usage Code	
		1	2	3	4	5	6	7			
HULL (Cont)											
Cockpit Side Window Assembly											
131-	No Number	Ref	All	
		Window Assembly - Cockpit side L.H. (See Fig. 125-11) (Reference Grumman drawing no. 107025)									
	No Number	Ref	All	
		Window Assembly - Cockpit side R.H. (See Fig. 125-11) (Reference Grumman drawing no. 107025)									
-1	110465	1	All	
-2	649352 x 2	1	All	
-3	282165 x 1	1	All	
-4	G101-125	1	All	
-5	110466	1	All	
-6	107294	1	All	
		Regulator Assembly - Window									
ATTACHING PARTS											
-7	AN502-416-6	3	All	
-8	AN960-416	3	All	
-9	109253	1	All	
-10	107025-3	1	All	
-11	107025-2L	1	All	
	107025-2R	1	All	
-12	112334	1	All	
-13	AN23-14A	1	All	
-14	107292	1	All	
-15	G338-3	1	All	
-16	AN365-1032	1	All	

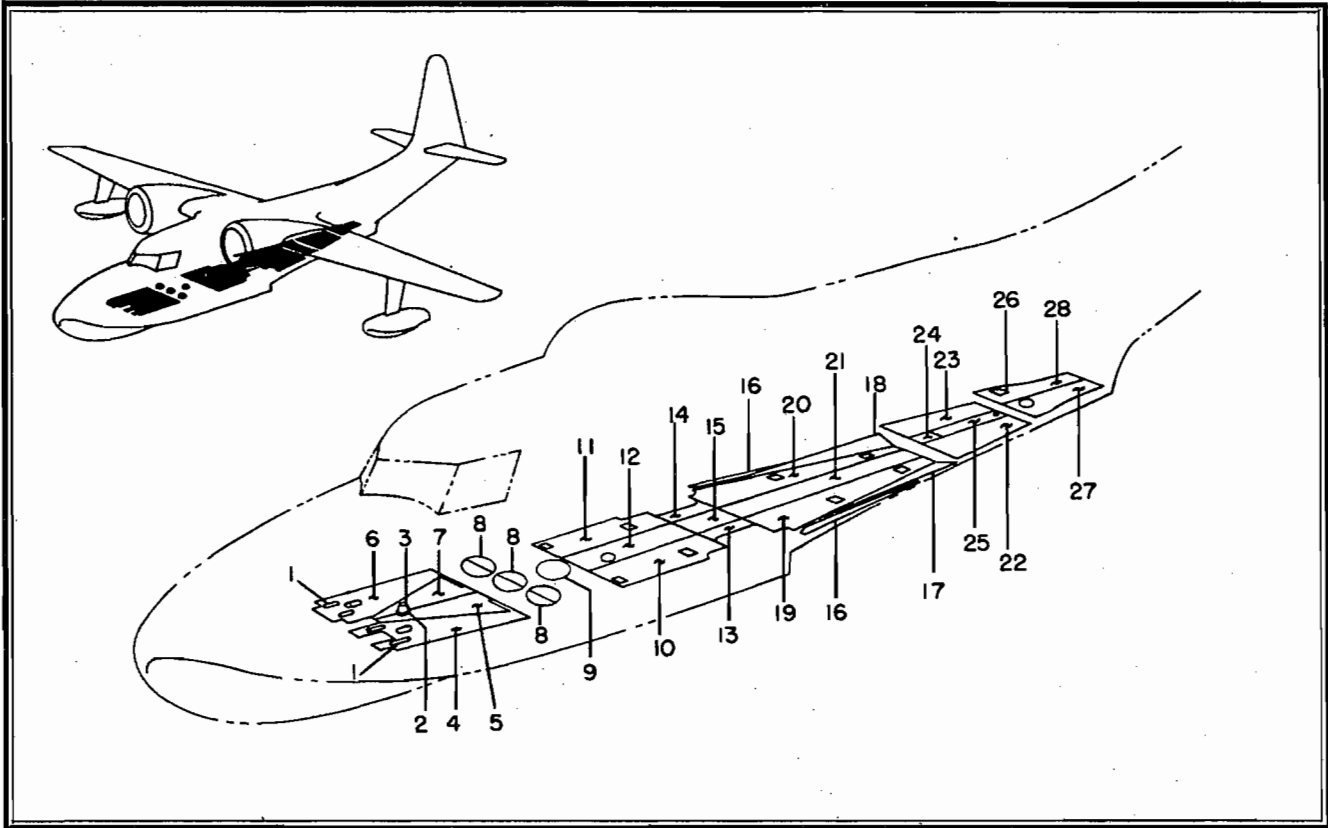


Figure 132—Cockpit, Cabin and Baggage Compartment Removable Flooring



Section II
Group Assembly Parts List

Figure & Index No.	Part No.	Nomenclature 1 2 3 4 5 6 7	Units Per Assy	Usage Code
-----------------------	----------	-------------------------------	-------------------	---------------

HULL (Cont)

Cockpit, Cabin and Baggage Compartment Removable Flooring

132	No Number	Flooring - Cockpit, cabin and baggage compartment removable (Reference Grumman drawing no. 107018)	1	All
-1	111347	. . Plate - Rudder pedal heel	4	All
-2	110472	. . Retainer - Boot	1	All
-3	110471	. . Boot Assembly - Cockpit control column	1	All
-4	107339-2	. . Panel - Cockpit left side outboard	1	All
-5	107339-1	. . Panel - Cockpit left side inboard	1	All
-6	107340-1	. . Panel - Cockpit right side outboard	1	All
-7	107340-2	. . Panel - Cockpit right side inboard	1	All
-8	107490-1	. . Cover - Cabin forward access	6	All
-9	107463-1	. . Cover - Cabin forward access	1	All
-10	107336-2L	. . Panel - Cabin forward L.H.	1	All
-11	107336-2R	. . Panel - Cabin forward R.H.	1	All
-12	107336-1	. . Panel - Cabin forward center	1	All
-13	107335-1L	. . Panel - Cabin mid L.H.	1	All
-14	107335-1R	. . Panel - Cabin mid R.H.	1	All
-15	107335-2	. . Panel - Cabin center mid	1	All
-16	107496-1	. . Strip - Cabin kickplate attaching	2	All
-17	107332L	. . Panel - Cabin rear outboard L.H.	1	All
-18	107332R	. . Panel - Cabin rear outboard R.H.	1	All
-19	107333L	. . Panel - Cabin rear inboard L.H.	1	All
-20	107333R	. . Panel - Cabin rear inboard R.H.	1	All
-21	107332-1	. . Panel - Cabin rear center	1	All
-22	107337-3L	. . Panel - Cabin lavatory compartment side L.H.	1	All
-23	107337-3R	. . Panel - Cabin lavatory compartment side R.H.	1	All
-24	107337-1	. . Panel - Cabin lavatory compartment forward center	1	All
-25	107337-2	. . Panel - Cabin lavatory compartment rear center	1	All
-26	107559	. . Cover - Baggage compartment handhole	1	All
-27	107338-1	. . Panel - Baggage compartment left side	1	All
-28	107338-2	. . Panel - Baggage compartment right side	1	All

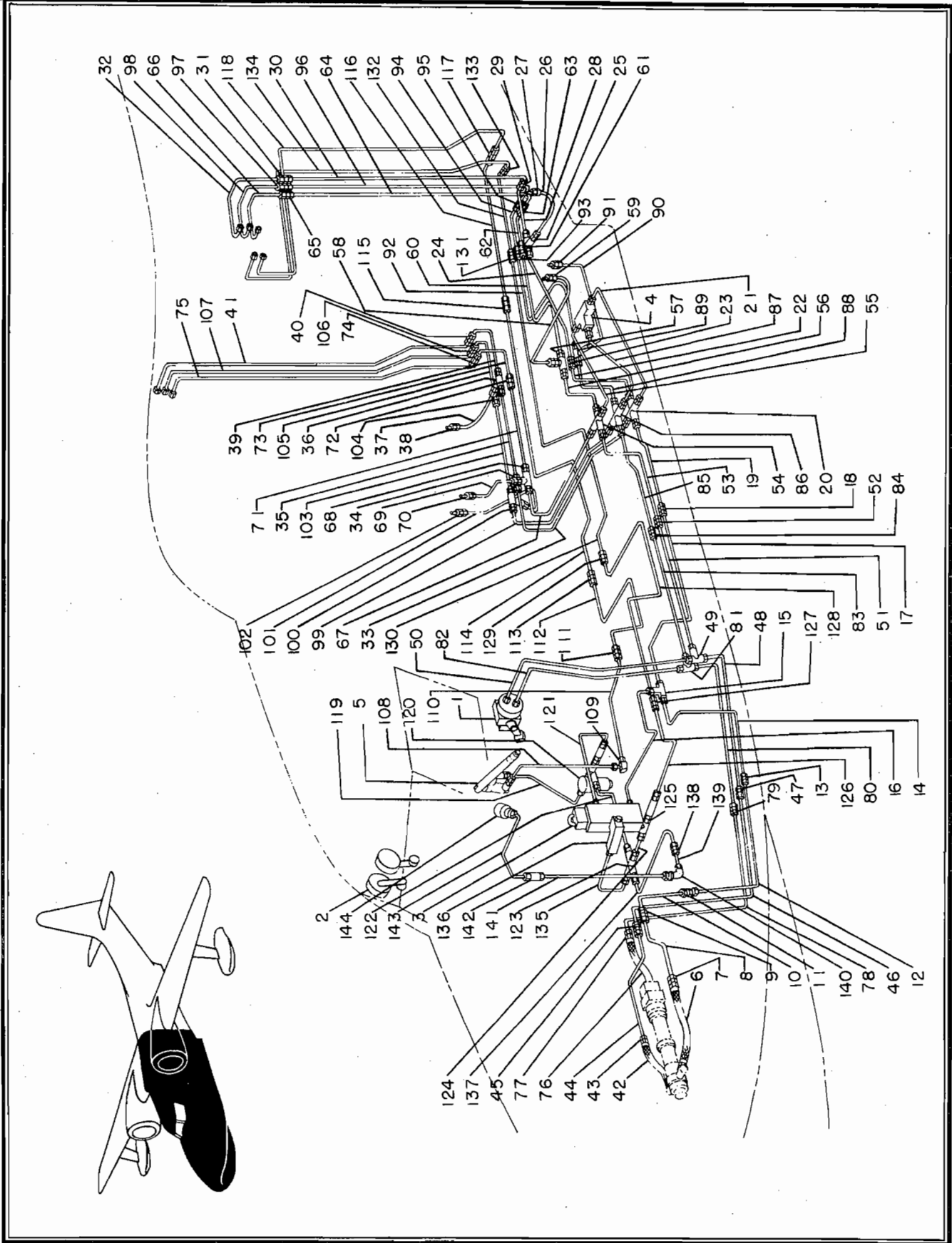


Figure 133—Hydraulics Installation (See Fig. 134)



Figure &
Index No.

Part No.

Nomenclature
1 2 3 4 5 6 7

Units Usage
Per Assy Code

HULL (Cont)

Hydraulic Installation

Figure & Index No.	Part No.	Nomenclature	Units Per Assy	Usage Code
133-	109532	. Hydraulics Installation	1	All
-1	109515	. . Valve Installation - Alighting gear selector (See Fig. 136)	1	All
-2	109514	. . Valve Installation - Cowl flap selector (See Fig. 137)	1	All
-3	109528	. . Valve Installation - Hand pump selector (See Fig. 138)	1	All
-4	109561	. . Valve Assembly - Automatic vent and dump (See Fig. 139)	1	All
-5	109508	. . Pump Installation - Hand (iap) (See Fig. 135)	1	All
-6	AN6260-6-12 1/2	. . Hose - Flexible	1	All
-7	108-00-186	. . Adaptor (The Weatherhead Co.)	1	m
	AN815-6D	. . Union - Flared tube	1	n
-8	109500-131LGE-6	. . Tube Assembly - 3/8 in. O.D.	1	All
-9	ER832-6D	. . Union - Bulkhead (The Weatherhead Co.)	1	m
	AN832-6D	. . Union - Bulkhead	1	n
-9	AN960D916	. . Washer	1	All
-9	AN924-6D	. . Nut	1	n
-10	109500-130LGE-6	. . Tube Assembly - 3/8 in. O.D.	1	All
-11	AN919-6D	. . Reducer	1	All
-12	109500-129LGE-4	. . Tube Assembly - 1/4 in. O.D.	1	All
-13	AN832-4D	. . Union - Bulkhead	1	All
-13	AN924-4D	. . Nut	1	All
-14	109500-128LGE-4	. . Tube Assembly - 1/4 in. O.D.	1	All
-15	AN926-4D	. . Tee	1	All
-15	AN832-4D	. . Union - Bulkhead	1	All
-15	AN901-4C	. . Gasket	2	All
-15	AN924-4D	. . Nut	1	All
-15	AN815-4D	. . Union - Flared tube	2	All
-15	AN6227-6	. . Packing - "O" Ring	3	All
-16	109500-127LGE-4	. . Tube Assembly - 1/4 in. O.D.	1	All
-17	109500-132LGE-4	. . Tube Assembly - 1/4 in. O.D.	1	All
-18	AN832-4D	. . Union - Bulkhead	1	All
-18	AN901-4C	. . Washer	2	All
-18	AN924-4D	. . Nut	1	All
-19	109500-133LGE-4	. . Tube Assembly - 1/4 in. O.D.	1	All
-20	AN924-4D	. . Nut	1	All
-20	AN960D716	. . Washer	2	All
-20	AN832-4D	. . Union - Bulkhead	1	All
-20	AN925-4D	. . Cross	1	All
-20	AN815-4D	. . Union - Flared tube	3	All
-20	AN6227-6	. . Packing - "O" Ring	4	All
-21	109500-134LGE-4	. . Tube Assembly - 1/4 in. O.D.	1	All
-22	109500-141LGE-4	. . Tube Assembly - 1/4 in. O.D.	1	All
-23	AN924-6D	. . Nut	1	All
-23	AN960D716	. . Washer	2	All
-23	AN832-4D	. . Union - Bulkhead	1	All
-24	109500-142LGE-4	. . Tube Assembly - 1/4 in. O.D.	1	All
-25	AN924-4D	. . Nut	1	All
-25	AN960D716	. . Washer	2	All
-25	AN832-4D	. . Union - Bulkhead	1	All
-25	AN926-4D	. . Tee	1	All
-25	AN919-6D	. . Reducer	1	All
-25	AN815-4D	. . Union - Flared tube	1	All
-25	AN6227-6	. . Packing - "O" Ring	3	All
-26	109500-147LGE-6	. . Tube Assembly - 3/8 in. O.D.	1	All
-27	AN924-6D	. . Nut	1	All
-27	AN901-6C	. . Gasket	2	All
-27	AN832-6D	. . Union - Bulkhead	1	All

Section II
Group Assembly Parts List



Figure & Index No.	Part No.	Nomenclature							Units Per Assy	Usage Code	
		1	2	3	4	5	6	7			
HULL (Cont)											
Hydraulic Installation (Cont)											
133-28	109500-143LGE-4	Tube Assembly - 1/4 in. O.D.	1	All
-29	AN815-4D	Union - Flared tube	1	All
-30	109500-144LGE-4	Tube Assembly - 1/4 in. O.D.	1	All
-31	AN815-4D	Union - Flared tube	1	All
-32	109500-145LGE-4	Tube Assembly - 1/4 in. O.D.	1	All
-33	109500-135LGE-4	Tube Assembly - 1/4 in. O.D.	1	All
-34	AN924-4D	Nut	1	All
-34	AN960D716	Washer	2	All
-34	AN832-4D	Union - Bulkhead	1	All
-35	109500-136LGE-4	Tube Assembly - 1/4 in. O.D.	1	All
-36	AN924-4D	Nut	1	All
-36	AN960D716	Washer	2	All
-36	AN832-4D	Union - Bulkhead	1	All
-36	AN926-4D	Tee	1	All
-36	AN919-6D	Reducer	1	All
-36	AN815-4D	Union - Flared tube	1	All
-36	AN6227-6	Packing - "O" Ring	3	All
-37	109500-140LGE-6	Tube Assembly 3/8 in. O.D.	1	All
-38	AN924-6D	Nut	1	All
-38	AN901-6C	Gasket	2	All
-38	AN832-6D	Union - Bulkhead	1	All
-39	109500-137LGE-4	Tube Assembly - 1/4 in. O.D.	1	All
-40	AN815-4D	Union - Flared tube	1	All
-41	109500-138LGE-4	Tube Assembly - 1/4 in. O.D.	1	All
-42	AN6260-6-12 1/2	Hose - Flexible	1	All
-43	108-00-186	Adaptor (The Weatherhead Co.)	1	m
	AN815-6D	Union - Flared tube	1	n
-44	109500-110LGD-6	Tube Assembly - 3/8 in. O.D.	1	All
-45	ER832-6D	Union - Bulkhead (The Weatherhead Co.)	1	m
	AN832-6D	Union - Bulkhead	1	n
-45	AN960D916	Washer	1	All
-45	AN924-6D	Nut	1	n
-46	109500-235LGD-6	Tube Assembly - 3/8 in. O.D.	1	All
-47	AN832-6D	Union - Bulkhead	1	All
-47	AN924-6D	Nut	1	All
-48	109500-109LGD-6	Tube Assembly - 3/8 in. O.D.	1	All
-49	AN834-6D	Tee - Bulkhead	1	All
-49	AN901-6C	Gasket	2	All
-49	AN924-6D	Nut	1	All
-50	109500-108LGD-6	Tube Assembly - 3/8 in. O.D.	1	All
-51	109500-111LGD-6	Tube Assembly - 3/8 in. O.D.	1	All
-52	AN832-6D	Union - Bulkhead	1	All
-52	AN901-6C	Gasket	2	All
-52	AN924-6C	Nut	1	All
-53	109500-112LGD-6	Tube Assembly - 3/8 in. O.D.	1	All
-54	AN925-6D	Cross	1	All
-54	AN832-6D	Union - Bulkhead	1	All
-54	AN960D916	Washer	2	All
-54	AN924-6D	Nut	1	All
-54	AN815-6D	Union - Flared tube	2	All
-54	AN919-6D	Reducer	1	All
-54	AN6227-8	Packing - "O" Ring	4	All
-55	109500-113LGD-4	Tube Assembly - 1/4 in. O.D.	1	All
-56	109500-120LGD-6	Tube Assembly - 3/8 in. O.D.	1	All
-57	AN926-6D	Tee	1	All



Section II
Group Assembly Parts List

Figure &
Index No.

Part No.

1 2 3 4 5 6 7

Nomenclature

Units Usage
Per Assy Code

HULL (Cont)

Hydraulic Installation (Cont)

Figure & Index No.	Part No.	Nomenclature	Units Per Assy	Usage Code
133-57	AN832-6D	. . Union - Bulkhead	1	All
-57	AN960D916	. . Washer	2	All
-57	AN924-6D	. . Nut	1	All
-57	AN815-6D	. . Union - Flared tube	1	All
-57	AN919-6D	. . Reducer	1	All
-58	109500-126LGD-6	. . Tube Assembly - 3/8 in. O.D.	1	All
-59	AN832-6D	. . Union - Bulkhead	1	All
-59	AN901-6C	. . Gasket	2	All
-59	AN924-6D	. . Nut	1	All
-60	109500-121LGD-4	. . Tube Assembly - 1/4 in. O.D.	1	All
-61	AN832-4D	. . Union - Bulkhead	1	All
-61	AN960D716	. . Washer	2	All
-61	AN924-4D	. . Nut	1	All
-62	109500-122LGD-4	. . Tube Assembly - 1/4 in. O.D.	1	All
-63	AN815-4D	. . Union - Flared tube	1	All
-64	109500-123LGD-4	. . Tube Assembly - 1/4 in. O.D.	1	All
-65	AN815-4D	. . Union - Flared tube	1	All
-66	109500-124LGD-4	. . Tube Assembly - 1/4 in. O.D.	1	All
-67	109500-114LGD-6	. . Tube Assembly - 3/8 in. O.D.	1	All
-68	AN926-6D	. . Tee	1	All
-68	AN832-6D	. . Union - Bulkhead	1	All
-68	AN960D916	. . Washer	2	All
-68	AN924-6D	. . Nut	1	All
-68	AN815-6D	. . Union - Flared tube	1	All
-68	AN919-6D	. . Reducer	1	All
-69	109500-119LGD-6	. . Tube Assembly - 3/8 in. O.D.	1	All
-70	AN832-6D	. . Union - Bulkhead	1	All
-70	AN901-6C	. . Gasket	2	All
-70	AN924-6D	. . Nut	1	All
-71	109500-115LGD-4	. . Tube Assembly - 1/4 in. O.D.	1	All
-72	AN832-4D	. . Union - Bulkhead	1	All
-72	AN960D716	. . Washer	2	All
-72	AN924-4D	. . Nut	1	All
-73	109500-116LGD-4	. . Tube Assembly - 1/4 in. O.D.	1	All
-74	AN815-4D	. . Union - Flared tube	1	All
-75	109500-117LGD-4	. . Tube Assembly - 1/4 in. O.D.	1	All
-76	AN6260-6-12 1/2	. . Hose - Flexible	1	All
-77	108-00-156	. . Adapter - Bulkhead (The Weatherhead Co.)	1	m
-77	AN832-6D	. . Union - Bulkhead	1	n
-77	AN960D916	. . Washer	1	All
-78	109500-234LGU-6	. . Tube Assembly - 3/8 in. O.D.	1	All
-79	AN832-6D	. . Union - Bulkhead	1	All
-79	AN924-6D	. . Nut	1	All
-80	109500-92LGU-6	. . Tube Assembly - 3/8 in. O.D.	1	All
-81	AN834-6D	. . Tee - Bulkhead	1	All
-81	AN901-6C	. . Gasket	1	All
-81	AN924-6D	. . Nut	1	All
-82	109500-91LGU-6	. . Tube Assembly - 3/8 in. O.D.	1	All
-83	109500-236LGU-6	. . Tube Assembly - 3/8 in. O.D.	1	All
-84	AN832-6D	. . Union - Bulkhead	1	All
-84	AN901-6C	. . Gasket	2	All
-84	AN924-6D	. . Nut	1	All
-85	109500-93LGU-6	. . Tube Assembly - 3/8 in. O.D.	1	All
-86	AN925-6D	. . Cross	1	All
-86	AN832-6D	. . Union - Bulkhead	1	All

Section II
Group Assembly Parts List



Figure & Index No.	Part No.	Nomenclature							Units Per Assy	Usage Code
		1	2	3	4	5	6	7		
HULL (Cont)										
Hydraulic Installation (Cont)										
133-86	AN960D916	. .							2	All
-86	AN924-6D	. .							1	All
-86	AN815-6D	. .							1	All
-86	AN919-6D	. .							1	All
-86	AN6227-8	. .							4	All
-87	109500-94LGU-4	. .							1	All
-88	109500-101LGU-6	. .							1	All
-89	109610	. .							1	All
-89	AN926-6D	. .							1	All
-89	AN832-6D	. .							1	All
-89	AN960D916	. .							2	All
-89	AN924-6D	. .							1	All
-89	AN919-6D	. .							1	All
-90	109500-107LGU-6	. .							1	All
-91	AN832-6D	. .							1	All
-91	AN901-6C	. .							2	All
-91	AN924-6D	. .							1	All
-92	109500-102LGU-4	. .							1	All
-93	AN832-4D	. .							1	All
-93	AN960D716	. .							2	All
-93	AN924-4D	. .							1	All
-94	109500-103LGU-4	. .							1	All
-95	AN815-4D	. .							1	All
-96	109500-104LGU-4	. .							1	All
-97	AN815-4D	. .							1	All
-98	109500-105LGU-4	. .							1	All
-99	109500-95LGU-6	. .							1	All
-100	109610	. .							1	All
-100	AN926-6D	. .							1	All
-100	AN832-6D	. .							1	All
-100	AN960D916	. .							2	All
-100	AN924-6D	. .							1	All
-100	AN919-6D	. .							1	All
-101	109500-100LGU-6	. .							1	All
-102	AN832-6D	. .							1	All
-102	AN901-6C	. .							2	All
-102	AN924-6D	. .							1	All
-103	109500-96LGU-4	. .							1	All
-104	AN832-4D	. .							1	All
-104	AN960D716	. .							2	All
-104	AN924-4D	. .							1	All
-105	109500-97LGU-4	. .							1	All
-106	AN815-4D	. .							1	All
-107	109500-98LGU-4	. .							1	All
-108	109500-42S-6	. .							1	All
-109	AN833-6D	. .							1	All
-109	AN901-6C	. .							2	All
-109	AN924-6D	. .							1	All
-110	109500-41S-6	. .							1	All
-111	AN815-6D	. .							1	All
-112	109500-40S-6	. .							1	All
-113	AN832-6D	. .							1	All
-113	AN901-6C	. .							2	All
-113	AN924-6D	. .							1	All
-114	109500-39S-6	. .							1	All



Section II
Group Assembly Parts List

Figure & Index No.	Part No.	Nomenclature							Units Per Assy	Usage Code
		1	2	3	4	5	6	7		
HULL (Cont)										
Hydraulic Installation (Cont)										
133-115	AN832-6D	. .	Union - Bulkhead						1	All
-115	AN960D916	. .	Washer						2	All
-115	AN924-6D	. .	Nut						1	All
-116	109500-38S-6	. .	Tube Assembly - 3/8 in. O.D.						1	All
-117	AN815-6D	. .	Union - Flared tube						1	All
-118	109500-37S-6	. .	Tube Assembly - 3/8 in. O.D.						1	All
-119	109500-43P-4	. .	Tube Assembly - 1/4 in. O.D.						1	All
-120	AN6234-1	. .	Filter						1	All
-120	AN815-4D	. .	Union - Flared tube						1	All
-120	AN832-4D	. .	Union - Bulkhead						1	All
-120	AN926-4D	. .	Tee						1	All
-120	AN6227-6	. .	Packing - "O" Ring						5	All
-120	AN924-4D	. .	Nut						1	All
-120	AN6207-4	. .	Valve - Hydraulic check						2	All
-121	109500-44P-4	. .	Tube Assembly - 1/4 in. O.D.						1	All
-122	109500-45P-4	. .	Tube Assembly - 1/4 in. O.D.						1	All
-123	AN827-4D	. .	Cross						1	All
-124	109500-50P-4	. .	Tube Assembly - 1/4 in. O.D.						1	All
-125	AN6207-6	. .	Valve - Check						1	All
-125	AN832-6D	. .	Union - Bulkhead						1	All
-125	AN919-6D	. .	Reducer						1	All
-125	AN926-6D	. .	Tee						1	All
-125	AN924-6D	. .	Nut						1	All
-125	AN6227-7	. .	Packing - "O" Ring						4	All
-126	109500-56P-6	. .	Tube Assembly - 3/8 in. O.D.						1	All
-127	AN832-6D	. .	Union - Bulkhead						1	All
-127	AN901-6C	. .	Gasket						2	All
-127	AN924-6D	. .	Nut						1	All
-128	109500-239P-6	. .	Tube Assembly - 3/8 in. O.D.						1	All
-129	AN832-6D	. .	Union - Bulkhead						1	All
-129	AN901-6C	. .	Gasket						2	All
-129	AN924-6D	. .	Nut						1	All
-130	109500-238P-6	. .	Tube Assembly - 3/8 in. O.D.						1	All
-131	AN832-6D	. .	Union - Bulkhead						1	All
-131	AN960D916	. .	Washer						2	All
-131	AN924-6D	. .	Nut						1	All
-132	109500-55P-6	. .	Tube Assembly - 3/8 in. O.D.						1	All
-133	AN815-6D	. .	Union - Flared tube						1	All
-134	109500-54P-6	. .	Tube Assembly - 3/8 in. O.D.						1	All
-135	109500-254P-4	. .	Tube Assembly - 1/4 in. O.D.						1	All
-136	332	. .	Valve - Relief (Electrol, Inc.)						1	All
-136	AN832-4D	. .	Union - Bulkhead						1	All
-136	AN960D716	. .	Washer						2	All
-136	AN924-4D	. .	Nut						1	All
-136	AN815-4D	. .	Union - Flared tube						1	All
-136	AN6227-6	. .	Packing - "O" Ring						2	All
-137	109500-46P-4	. .	Tube Assembly - 1/4 in. O.D.						1	All
-138	AN815-4D	. .	Union - Flared tube						1	All
-139	109500-47P-4	. .	Tube Assembly - 1/4 in. O.D.						1	All
-140	AN833-4D	. .	Elbow - Bulkhead						1	All
-140	AN924-4D	. .	Nut						1	All
-141	109500-48P-4	. .	Tube Assembly - 1/4 in. O.D.						1	All
-142	11D-2	. .	Snubber (Ray Pressure Snubber Co.)						1	All
-143	109500-49P-4	. .	Tube Assembly - 1/4 in. O.D.						1	All
-144	AN5771-4A	. .	Gage - Pressure						1	All

Section II
Group Assembly Parts List

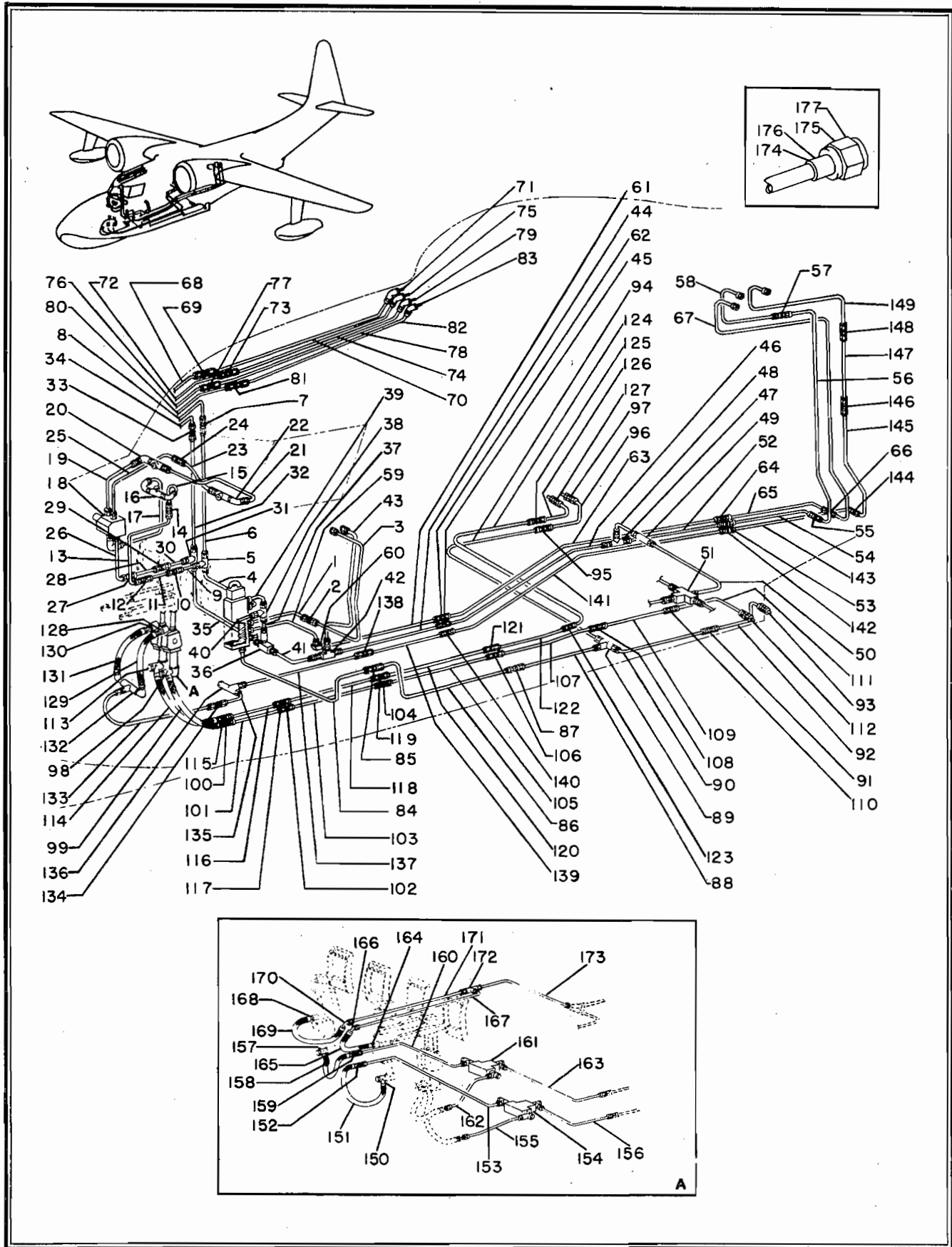


Figure 134—Hydraulics Installation (See Fig. 133)



Section II
Group Assembly Parts List

Figure & Index No.	Part No.	Nomenclature	Units Per Assy	Usage Code
		1 2 3 4 5 6 7		
HULL (Cont)				
Hydraulic Installation (Cont)				
133-144	AN815-4D	. . Union - Flared tube	1	All
-144	AN6227-6	. . Packing - "O" Ring	1	All
134-1	109500-88LGP-6	. . Tube Assembly - 3/8 in. O.D.	1	All
-2	AN815-6D	. . Union - Flared tube	1	All
-3	109500-89LGP-6	. . Tube Assembly - 3/8 in. O.D.	1	All
-4	109500-150CFP-4	. . Tube Assembly - 1/4 in. O.D.	1	All
-5	AN824-4D	. . Tee	1	All
-6	109500-242CFP-4	. . Tube Assembly - 1/4 in. O.D.	1	All
-7	AN815-4D	. . Union - Flared tube	1	All
-8	109500-173CFP-4	. . Tube Assembly - 1/4 in. O.D.	1	All
-9	109500-151WWP-4	. . Tube Assembly - 1/4 in. O.D.	1	All
-10	AN815-4D	. . Union - Flared tube	1	All
-11	109500-152WWP-4	. . Tube Assembly - 1/4 in. O.D.	1	All
-12	AN832-4D	. . Union - Bulkhead	1	All
-12	AN924-4D	. . Nut	1	All
-13	109500-153WWP-4	. . Tube Assembly - 1/4 in. O.D.	1	All
-14	AN815-4D	. . Union - Flared tube	1	All
-15	109500-154WWP-4	. . Tube Assembly - 1/4 in. O.D.	1	All
-16	2331-2	. . Control - Wiper speed (Kearfott Engineering Co.)	1	All
-16	AN921-4D	. . Elbow - Bulkhead 90°	2	All
-16	AN924-4D	. . Nut	2	All
-17	109500-155WWP-4	. . Tube Assembly - 1/4 in. O.D.	1	All
-18	2069-2	. . Unit - Wiper control (Kearfott Engineering Co.)	1	All
-18	AN815-4D	. . Union - Flared tube	3	All
-18	AN833-4D	. . Elbow - Bulkhead 90°	1	All
-18	AN924-4D	. . Nut	1	All
-18	AN6227-6	. . Packing - "O" Ring	4	All
-19	109500-156WWP-4	. . Tube Assembly - 1/4 in. O.D.	1	All
-20	2068-4	. . Unit - Window (Kearfott Engineering Co.)	1	All
-20	AN921-4D	. . Elbow - Bulkhead 90°	1	All
-20	AN924-4D	. . Nut	1	All
-20	AN815-4D	. . Union - Flared tube	1	All
-20	AN6227-6	. . Packing - "O" Ring	3	All
-21	109500-158WWP-4	. . Tube Assembly - 1/4 in. O.D.	1	All
-22	2068-4	. . Unit - Window (Kearfott Engineering Co.)	1	All
-22	AN921-4D	. . Elbow - Bulkhead 90°	1	All
-22	AN924-4D	. . Nut	1	All
-22	AN815-4D	. . Union - Flared tube	1	All
-22	AN6227-6	. . Packing - "O" Ring	3	All
-23	109500-157WWP-4	. . Tube Assembly - 1/4 in. O.D.	1	All
-24	AN815-4D	. . Union - Flared tube	1	All
-25	109500-159WWP-4	. . Tube Assembly - 1/4 in. O.D.	1	All
-26	109500-160WWR-4	. . Tube Assembly - 1/4 in. O.D.	1	All
-27	AN832-4D	. . Union - Bulkhead	1	All
-27	AN924-4D	. . Nut	1	All
-28	109500-162WWR-4	. . Tube Assembly - 1/4 in. O.D.	1	All
-29	AN815-4D	. . Union - Flared tube	1	All
-30	109500-163WWR-4	. . Tube Assembly - 1/4 in. O.D.	1	All
-31	AN824-4D	. . Tee	1	All
-32	109500-165CFR	. . Tube Assembly - 1/4 in. O.D.	1	All
-33	AN815-4D	. . Union - Flared tube	1	All
-34	109500-166CFR-4	. . Tube Assembly - 1/4 in. O.D.	1	All
-35	109500-164R-4	. . Tube Assembly - 1/4 in. O.D.	1	All
-36	AN6207-4	. . Valve - Check	1	All
-36	AN926-4D	. . Tee	1	All

Section II
Group Assembly Parts List



Figure & Index No.	Part No.	Nomenclature							Units Per Assy	Usage Code
		1	2	3	4	5	6	7		
HULL (Cont)										
Hydraulic Installation (Cont)										
134-36	AN832-4D	. .	Union - Bulkhead						1	All
-36	AN924-4D	. .	Nut						1	All
-36	AN815-4D	. .	Union - Flared tube						2	All
-36	AN6227-6	. .	Packing - "O" Ring						3	All
-37	109500-256R-4	. .	Tube Assembly - 1/4 in. O.D.						1	All
-38	AN824-4D	. .	Tee						1	All
-39	109500-257R-4	. .	Tube Assembly - 1/4 in. O.D.						1	All
-40	109500-255R-4	. .	Tube Assembly - 1/4 in. O.D.						1	All
-41	109500-81R-4	. .	Tube Assembly - 1/4 in. O.D.						1	All
-42	AN926-6D	. .	Tee						1	All
-42	AN832-6D	. .	Union - Bulkhead						1	All
-42	AN901-6C	. .	Gasket						2	All
-42	AN924-6D	. .	Nut						1	All
-42	AN919-6D	. .	Reducer						1	All
-42	AN815-6D	. .	Union - Flared tube						1	All
-42	AN6227-7	. .	Packing - "O" Ring						3	All
-43	109500-90LGR-6	. .	Tube Assembly - 3/8 in. O.D.						1	All
-44	109500-82R-6	. .	Tube Assembly - 3/8 in. O.D.						1	All
-45	AN832-6D	. .	Union - Bulkhead						1	All
-45	AN901-6C	. .	Gasket						2	All
-45	AN924-6D	. .	Nut						1	All
-46	109500-83R-6	. .	Tube Assembly - 3/8 in. O.D.						1	All
-47	AN926-6D	. .	Tee						1	All
-47	AN815-6D	. .	Union - Flared tube						2	All
-47	AN919-6D	. .	Reducer						1	All
-48	109500-149ER-4	. .	Tube Assembly - 1/4 in. O.D.						1	All
-49	AN6207-4	. .	Valve - Check						1	All
-49	AN6227-7	. .	Packing - "O" Ring						1	All
-50	109500-148ER-4	. .	Tube Assembly - 1/4 in. O.D.						1	All
-51	AN6227-7	. .	Packing - "O" Ring						1	All
-52	109500-84R-6	. .	Tube Assembly - 3/8 in. O.D.						1	All
-53	AN832-6D	. .	Union - Bulkhead						1	All
-53	AN960D916	. .	Washer						2	All
-53	AN924-6D	. .	Nut						1	All
-54	109500-85R-6	. .	Tube Assembly - 3/8 in. O.D.						1	All
-55	AN815-6D	. .	Union - Flared tube						1	All
-56	109500-86R-6	. .	Tube Assembly - 3/8 in. O.D.						1	All
-57	AN815-6D	. .	Union - Flared tube						1	All
-58	109500-87R-6	. .	Tube Assembly - 3/8 in. O.D.						1	All
-59	109500-199WFP-4	. .	Tube Assembly - 1/4 in. O.D.						1	All
-60	AN833-4D	. .	Elbow - Bulkhead 90°						1	All
-60	AN901-4C	. .	Gasket						2	All
-60	AN924-4D	. .	Nut						1	All
-61	109500-200WFP-4	. .	Tube Assembly - 1/4 in. O.D.						1	All
-62	AN832-4D	. .	Union - Bulkhead						1	All
-62	AN901-4C	. .	Gasket						2	All
-62	AN924-4D	. .	Nut						1	All
-63	109500-201WFP-4	. .	Tube Assembly - 1/4 in. O.D.						1	All
-64	AN832-4D	. .	Union - Bulkhead						1	All
-64	AN960D716	. .	Washer						2	All
-64	AN924-4D	. .	Nut						1	All
-65	109500-202WFP-4	. .	Tube Assembly - 1/4 in. O.D.						1	All
-66	AN815-4D	. .	Union - Flared tube						1	All
-67	109500-203WFP-4	. .	Tube Assembly - 1/4 in. O.D.						1	All
-68	109500-197CFC-4	. .	Tube Assembly - 1/4 in. O.D.						1	All



Section II
Group Assembly Parts List

Figure &
Index No.

Part No.

Nomenclature
1 2 3 4 5 6 7

Units Usage
Per Assy Code

HULL (Cont)

Hydraulic Installation (Cont)

134-69	AN815-4D	. . Union - Flared tube	1	All
-70	109500-241CFC-4	. . Tube Assembly - 1/4 in. O.D.	1	All
-71	AN837-4D	. . Elbow - Bulkhead	1	All
-71	AN960D716	. . Washer	2	All
-71	AN924-4D	. . Nut	1	All
-72	109500-185CFC-4	. . Tube Assembly - 1/4 in. O.D.	1	All
-73	AN815-4D	. . Union - Flared tube	1	All
-74	109500-184CFC-4	. . Tube Assembly - 1/4 in. O.D.	1	All
-75	AN837-4D	. . Elbow - Bulkhead 45°	1	All
-75	AN960D716	. . Washer	2	All
-75	AN924-4D	. . Nut	1	All
-76	109500-174CFO-4	. . Tube Assembly - 1/4 in. O.D.	1	All
-77	AN815-4D	. . Union - Flared tube	1	All
-78	109500-175CFO-4	. . Tube Assembly - 1/4 in. O.D.	1	All
-79	AN837-4D	. . Elbow - Bulkhead 45°	1	All
-79	AN960D716	. . Washer	2	All
-79	AN924-4D	. . Nut	1	All
-80	109500-186CFO-4	. . Tube Assembly - 1/4 in. O.D.	1	All
-81	AN815-4D	. . Union - Flared tube	1	All
-82	109500-187CFO-4	. . Tube Assembly - 1/4 in. O.D.	1	All
-83	AN837-4D	. . Elbow - Bulkhead 45°	1	All
-83	AN960D716	. . Washer	2	All
-83	AN924-4D	. . Nut	1	All
-84	109500-57EB-4	. . Tube Assembly - 1/4 in. O.D.	1	All
-85	AN832-4D	. . Union - Bulkhead	1	All
-85	AN901-4C	. . Gasket	2	All
-85	AN924-4D	. . Nut	1	All
-86	109500-58EB-4	. . Tube Assembly - 1/4 in. O.D.	1	All
-87	AN832-4D	. . Union - Bulkhead	1	All
-87	AN901-4C	. . Gasket	2	All
-87	AN924-4D	. . Nut	1	All
-88	109500-59EB-4	. . Tube Assembly - 1/4 in. O.D.	1	All
-89	AN834-4D	. . Tee - Bulkhead	1	All
-89	AN960D716	. . Washer	2	All
-89	AN924-4D	. . Nut	1	All
-90	109500-60EB-4	. . Tube Assembly - 1/4 in. O.D.	1	All
-91	AN832-4D	. . Union - Bulkhead	1	All
-91	AN960D716	. . Washer	2	All
-91	AN924-4D	. . Nut	1	All
-92	109500-61EB-4	. . Tube Assembly - 1/4 in. O.D.	1	All
-93	AN832-4D	. . Union - Bulkhead	1	All
-93	AN901-4C	. . Gasket	2	All
-93	AN924-4D	. . Nut	1	All
-94	109500-62EB-4	. . Tube Assembly - 1/4 in. O.D.	1	All
-95	AN832-4D	. . Union - Bulkhead	1	All
-95	AN960D716	. . Washer	2	All
-95	AN924-4D	. . Nut	1	All
-96	109500-63EB-4	. . Tube Assembly - 1/4 in. O.D.	1	All
-97	AN832-4D	. . Union - Bulkhead	1	All
-97	AN901-4C	. . Gasket	2	All
-97	AN924-4D	. . Nut	1	All
-98	AN775-4	. . Bolt - Universal fitting	1	All
-98	AN776-4D	. . Elbow - Universal 90°	1	All
-98	AN901-4C	. . Gasket	2	All
-99	AN6274-4-15 1/2	. . Hose - Flexible	1	All

Section II
Group Assembly Parts List



Figure & Index No.	Part No.	Nomenclature	Units Per Assy	Usage Code
		1 2 3 4 5 6 7		
HULL (Cont)				
Hydraulic Installation (Cont)				
134-100	AN832-4D	. . Union - Bulkhead	1	All
-100	AN924-4D	. . Nut	1	All
-101	109500-69B-4	. . Tube Assembly - 1/4 in. O.D.	1	All
-102	AN815-4D	. . Union - Flared tube	1	All
-103	109500-68B-4	. . Tube Assembly - 1/4 in. O.D.	1	All
-104	AN832-4D	. . Union - Bulkhead	1	All
-104	AN901-4C	. . Gasket	2	All
-104	AN924-4D	. . Nut	1	All
-105	109500-67B-4	. . Tube Assembly - 1/4 in. O.D.	1	All
-106	AN832-4D	. . Union - Bulkhead	1	All
-106	AN901-4C	. . Gasket	2	All
-106	AN924-4D	. . Nut	1	All
-107	109500-66B-4	. . Tube Assembly - 1/4 in. O.D.	1	All
-108	AN832-4D	. . Union - Bulkhead	1	All
-108	AN960D716	. . Washer	2	All
-108	AN924-4D	. . Nut	1	All
-109	109500-65B-4	. . Tube Assembly - 1/4 in. O.D.	1	All
-110	AN832-4D	. . Union - Bulkhead	1	All
-110	AN960D716	. . Washer	2	All
-110	AN924-4D	. . Nut	1	All
-111	109500-64B-4	. . Tube Assembly - 1/4 in. O.D.	1	All
-112	AN832-4D	. . Union - Bulkhead	1	All
-112	AN901-4C	. . Gasket	2	All
-112	AN924-4D	. . Nut	1	All
-113	AN775-4	. . Bolt - Universal fitting	1	All
-113	AN776-4D	. . Elbow - Universal 90°	1	All
-113	AN901-4C	. . Gasket	2	All
-114	AN6227-4-15 1/2	. . Hose - Flexible	1	All
-115	AN832-4D	. . Union - Bulkhead	1	All
-115	AN924-4D	. . Nut	1	All
-116	109500-76B-4	. . Tube Assembly - 1/4 in. O.D.	1	All
-117	AN815-4D	. . Union - Flared tube	1	All
-118	109500-75B-4	. . Tube Assembly - 1/4 in. O.D.	1	All
-119	AN832-4D	. . Union - Bulkhead	1	All
-119	AN901-4C	. . Gasket	2	All
-119	AN924-4D	. . Nut	1	All
-120	109500-74B-4	. . Tube Assembly - 1/4 in. O.D.	1	All
-121	AN832-4D	. . Union - Bulkhead	1	All
-121	AN901-4C	. . Gasket	2	All
-121	AN924-4D	. . Nut	1	All
-122	109500-73B-4	. . Tube Assembly - 1/4 in. O.D.	1	All
-123	AN832-4D	. . Union - Bulkhead	1	All
-123	AN960D716	. . Washer	2	All
-123	AN924-4D	. . Nut	1	All
-124	109500-72B-4	. . Tube Assembly - 1/4 in. O.D.	1	All
-125	AN832-4D	. . Union - Bulkhead	1	All
-125	AN960D716	. . Washer	2	All
-125	AN924-4D	. . Nut	1	All
-126	109500-71B-4	. . Tube Assembly - 1/4 in. O.D.	1	All
-127	AN832-4D	. . Union - Bulkhead	1	All
-127	AN901-4C	. . Gasket	2	All
-127	AN924-4D	. . Nut	1	All
-128	109615	. . Fitting	1	All
-128	AN815-4D	. . Union - Flared tube	1	All
-128	AN6227-6	. . Packing - "O" Ring	1	All



Section II
Group Assembly Parts List

Figure & Index No.	Part No.	Nomenclature							Units Per Assy	Usage Code
		1	2	3	4	5	6	7		
HULL (Cont)										
Hydraulic Installation (Cont)										
134-129	AN6270-4-16	. .							1	All
-130	109615	. .							1	All
-130	AN815-4D	. .							1	All
-130	AN6227-6	. .							1	All
-131	AN6270-4-16	. .							1	All
-132	AN926-4D	. .							1	All
-132	AN833-4D	. .							2	All
-132	AN832-4D	. .							1	All
-132	AN960D716	. .							2	All
-132	AN6227-6	. .							3	All
-132	AN924-4D	. .							3	All
-133	109500-258BR-4	. .							1	All
-134	AN832-4D	. .							1	All
-134	AN924-4D	. .							1	All
-135	109500-261BR-4	. .							1	All
-136	AN834-4D	. .							1	All
-136	AN820-4	. .							1	All
-136	AN960D716	. .							2	All
-136	AN924-4D	. .							1	All
-137	109500-262BR-4	. .							1	All
-138	AN832-4D	. .							1	All
-138	AN901-4C	. .							2	All
-138	AN924-4D	. .							1	All
-139	109500-263BR-4	. .							1	All
-140	AN832-4D	. .							1	All
-140	AN901-4C	. .							2	All
-140	AN924-4D	. .							1	All
-141	109500-264BR-4	. .							1	All
-142	AN832-4D	. .							1	All
-142	AN960D716	. .							2	All
-142	AN924-4D	. .							1	All
-143	109500-265BR-4	. .							1	All
-144	AN815-4D	. .							1	All
-145	109500-266BR-4	. .							1	All
-146	AN815-4D	. .							1	All
-147	109500-267BR-4	. .							1	All
-148	AN815-4D	. .							1	All
-149	109500-268BR-4	. .							1	All
-150	AN775-4	. .							1	k
-150	AN776-4D	. .							1	k
-150	AN901-4C	. .							2	k
-151	AN6274-4-15 1/2	. .							1	k
-152	AN832-4D	. .							1	k
-152	AN924-4D	. .							1	k
-153	109500-243B-4	. .							1	k
-154	109562	. .							1	k
-155	109500-244B-4	. .							1	k
-156	109500-245B-4	. .							1	k
-157	AN775-4	. .							1	k
-157	AN776-4D	. .							1	k
-157	AN901-4C	. .							2	k
-158	AN6274-4-15 1/2	. .							1	k
-159	AN832-4D	. .							1	k
-159	AN924-4D	. .							1	k
-160	109500-246B-4	. .							1	k

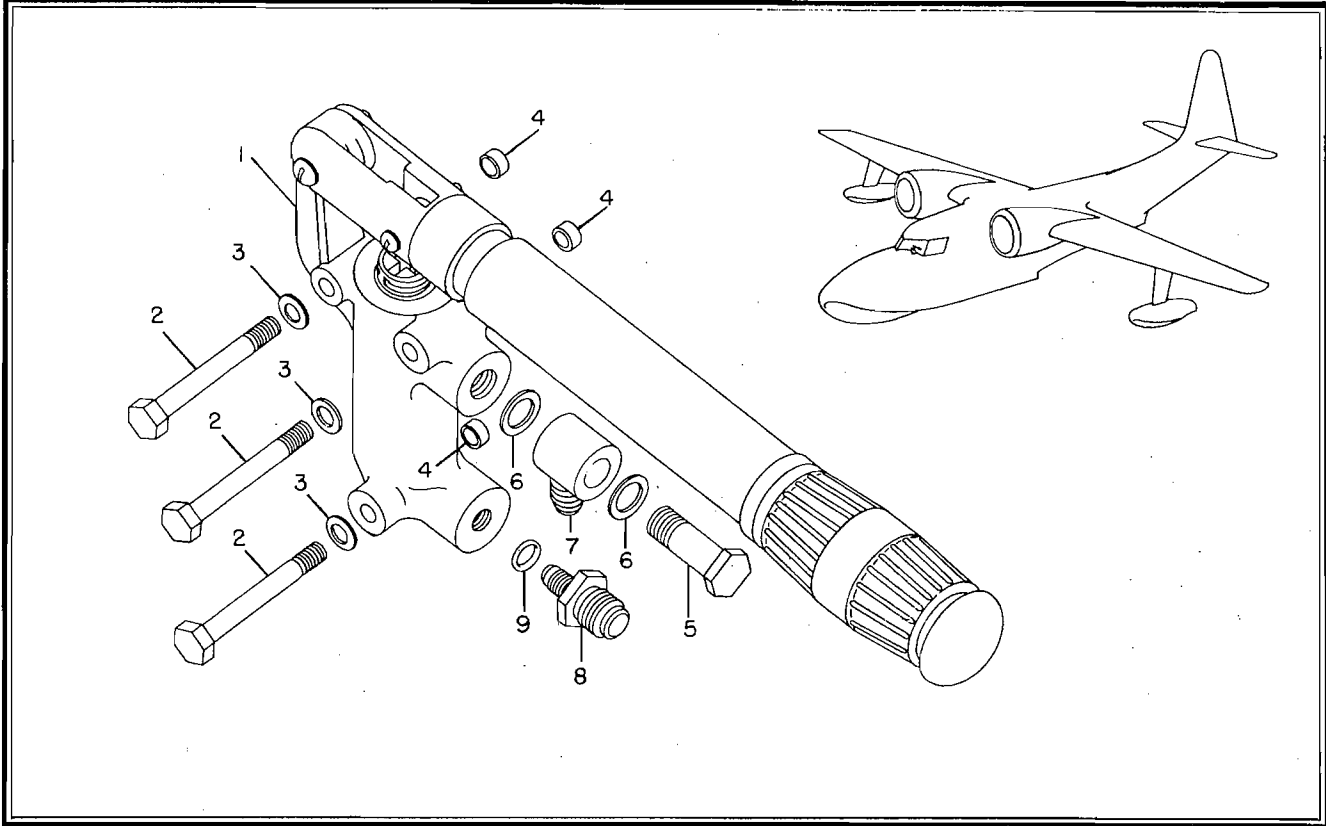


Figure 135—Hydraulic Hand Pump Installation

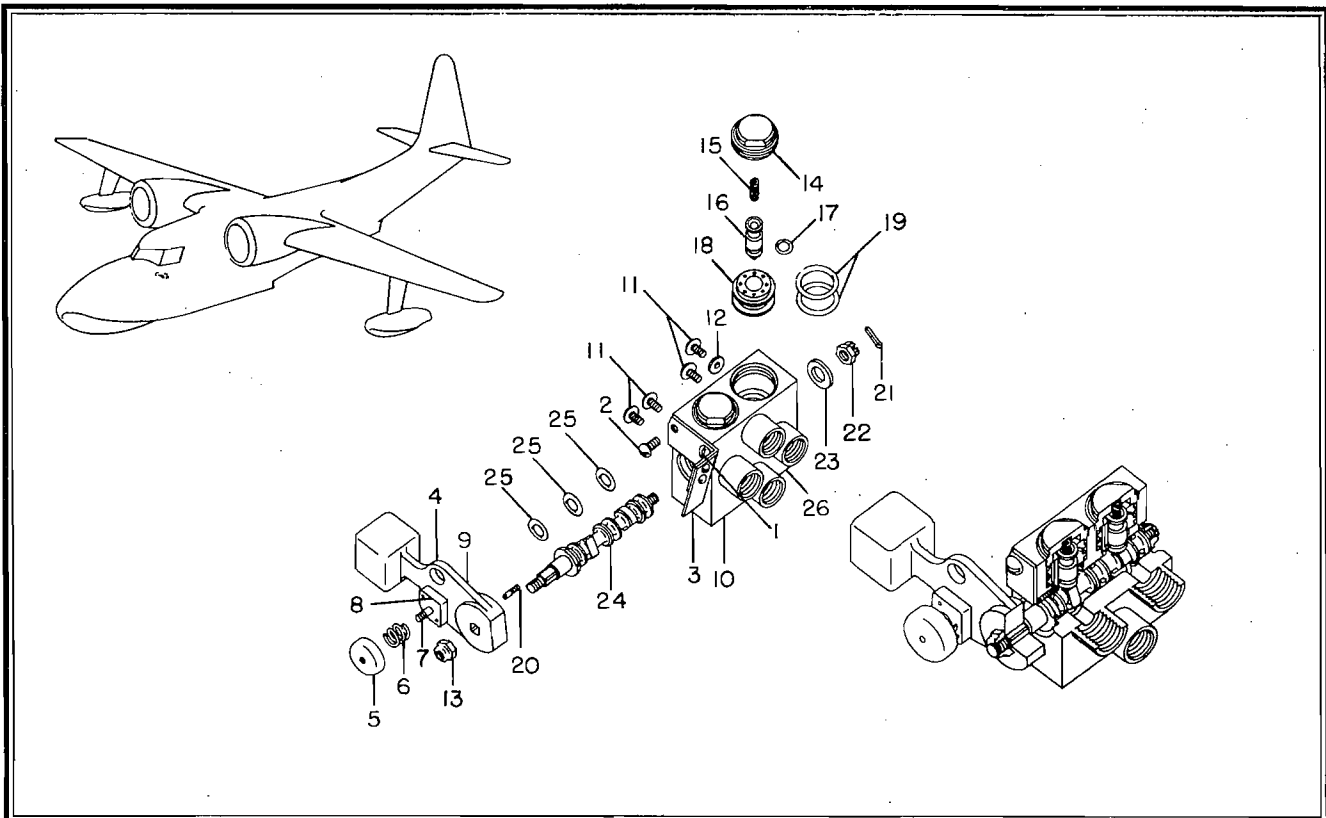


Figure 136—Landing Gear Hydraulic Selector Valve Installation



Section II
Group Assembly Parts List

Figure & Index No.	Part No.	Nomenclature 1 2 3 4 5 6 7	Units Per Assy	Usage Code
HULL (Cont)				
Hydraulic Installation (Cont)				
134-161	109562	. . . Valve Assembly - Brake shuttle	1	k
-162	109500-247B-4	. . . Tube Assembly - 1/4 in. O.D.	1	k
-163	109500-248B-4	. . . Tube Assembly - 1/4 in. O.D.	1	k
-164	109615	. . . Fitting	1	k
-164	AN815-4D	. . . Union - Flared tube	1	k
-165	AN6270-4-16 1/2	. . . Hose - Flexible	1	k
-166	AN837-4D	. . . Elbow - Bulkhead 45°	1	k
-166	AN924-4D	. . . Nut	1	k
-167	109500-265R-4	. . . Tube Assembly - 1/4 in. O.D.	1	k
-168	109615	. . . Fitting	1	k
-168	AN815-4D	. . . Union - Flared tube	1	k
-169	AN6270-4-16 1/2	. . . Hose - Flexible	1	k
-170	AN837-4D	. . . Elbow - Bulkhead 45°	1	k
-170	AN924-4D	. . . Nut	1	k
-171	109500-264R-4	. . . Tube Assembly - 1/4 in. O.D.	1	k
-172	AN824-4D	. . . Tee	1	k
-173	109500-263R-4	. . . Tube Assembly - 1/4 in. O.D.	1	k
END FITTINGS FOR 1/4 IN. O.D. TUBE ASSEMBLIES				
-174	AN819-4Z	. . . Sleeve	2	All
-175	AN818-4D	. . . Nut	2	All
END FITTINGS FOR 3/8 IN. O.D. TUBE ASSEMBLIES				
-176	AN819-6Z	. . . Sleeve	2	All
-177	AN818-6D	. . . Nut	2	All

Hydraulic Hand Pump Installation

135-	109508	. . . Pump Installation - Hydraulic hand (See Fig. 133-5)	Ref	All
-1	190	. . . Pump - Hand (Electrol, Inc.)	1	All
ATTACHING PARTS				
-2	AN4-22A	. . . Bolt	3	All
-3	AN960D416	. . . Washer	3	All
-4	G5-D4-8	. . . Spacer	3	All
-5	AN775-4	. . . Bolt - Universal fitting	1	All
-6	AN901-4C	. . . Gasket	2	All
-7	ER776-4D	. . . Elbow (The Weatherhead Co.)	1	m
	AN776-4D	. . . Elbow	1	n
-8	ER919-4D	. . . Reducer (The Weatherhead Co.)	1	m
	AN919-4D	. . . Reducer	1	n
-9	AN6227-6	. . . Packing - "O" Ring	1	All

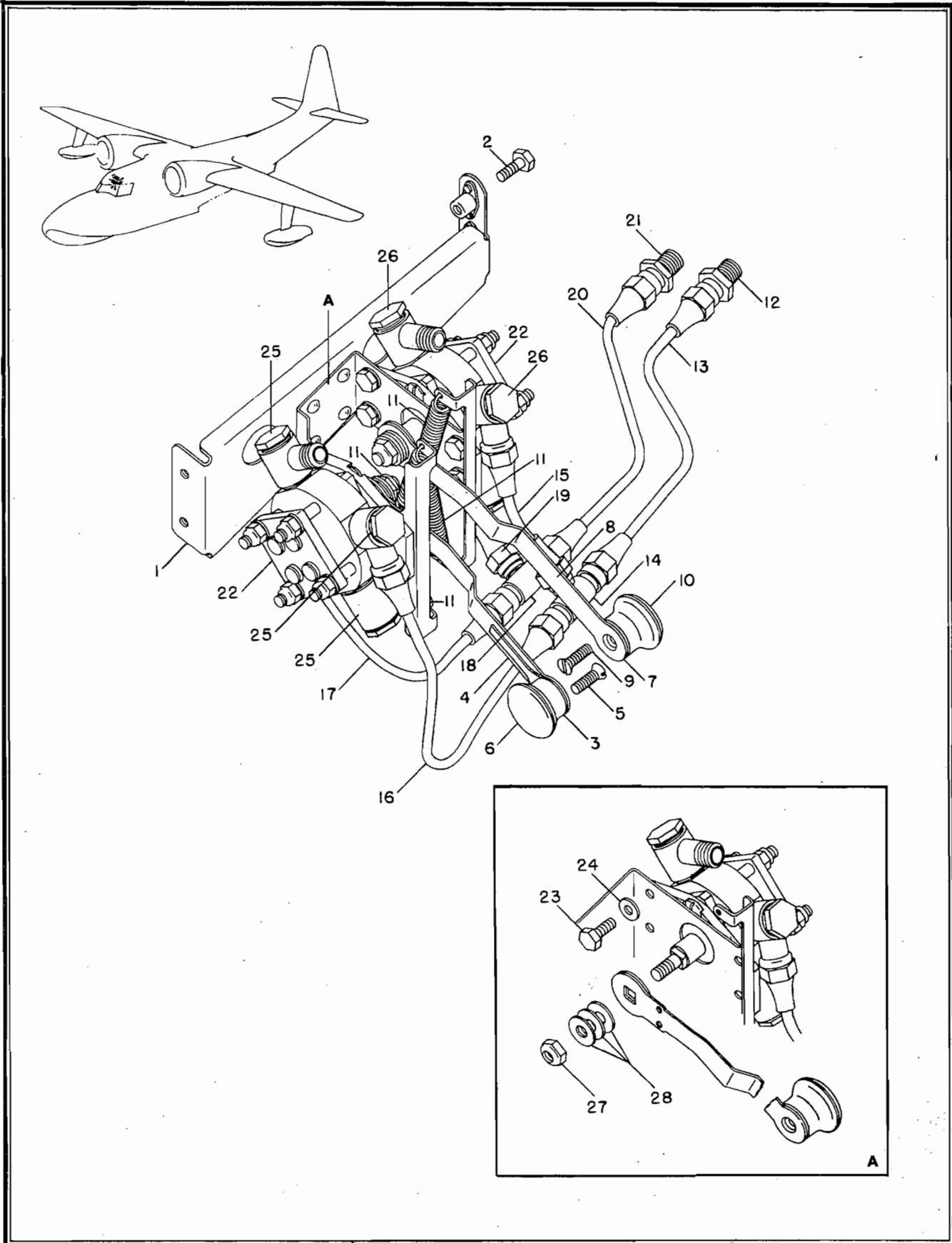


Figure 137—Cowl Flap Hydraulic Selector Valve Installation



Section II
Group Assembly Parts List

Figure & Index No.	Part No.	Nomenclature 1 2 3 4 5 6 7	Units	Usage
			Per Assy	Code
HULL (Cont)				
Landing Gear Hydraulic Selector Valve Installation				
136-	109515	. . Valve Installation - Landing gear hydraulic selector (See Fig. 133-1)	Ref	All
-1	109566 Clip Assembly (iap)	1	All
ATTACHING PARTS				
-2	AN520-10-6 Screw	2	All
-3	G103-121 Spring	1	All
-4	109603	. . . Handle Assembly	1	All
-5	112872 Knob	1	All
-6	G101-45 Spring	1	All
-7	112870 Retainer	1	All
-8	112871 Pin	1	All
-9	109593 Lever	1	All
-10	56219	. . . Valve - Selector (iap)	1	All
ATTACHING PARTS				
-11	AN526-1032-5 Screw	4	All
-12	AN960D10L Washer	1	All
-13	AN364-428 Nut	1	All
-14	27575 Plug	4	All
-15	G101-115 Spring	4	All
-16	27580 Poppet	4	All
-17	AN6227-5 Packing - "O" Ring	4	All
-18	27581 Seat	4	All
-19	AN6227-14 Packing - "O" Ring	8	All
-20	27534 Screw	1	All
-21	AN380C2-2 Cotter	1	All
-22	AN310-4 Nut	1	All
-23	AN940-516 Washer	1	All
-24	27584 Shaft	1	All
-25	AN6227-8 Packing - "O" Ring	3	All
-26	58614 Body	1	All

Section II
Group Assembly Parts List



Figure & Index No.	Part No.	Nomenclature 1 2 3 4 5 6 7	Units Per Assy	Usage Code
HULL (Cont)				
Cowl Flap Hydraulic Selector Valve Installation				
137-	109514	. . . Valve Installation - Cowl flap hydraulic selector (See Fig. 133-2)	Ref	All
-1	111298	. . . Bracket (lap)	1	All
ATTACHING PARTS				
-2	AN3-4A Bolt	4	All
-3	112857-1	. . . Handle Assembly	1	All
-4	112857-3 Handle	1	All
-5	AN510-10-10 Screw	1	All
-6	111124-1 Knob	1	All
-7	112857-2	. . . Handle Assembly	1	All
-8	112857-4 Handle	1	All
-9	AN510-10-10 Screw	1	All
-10	111124-1 Knob	1	All
-11	G102-34	. . . Spring	4	All
-12	ER815-4D	. . . Union (The Weatherhead Co.)	1	m
	AN815-4D	. . . Union	1	n
-13	109500-167CFR-4	. . . Line Assembly - 1/4 O.D.	1	All
-13	ER817-4D Nut (The Weatherhead Co.)	2	m
	AN817-4D Nut	2	n
-13	ER819-4 Sleeve (The Weatherhead Co.)	2	m
	AN819-4 Sleeve	2	n
-14	ER824-4D	. . . Tee (The Weatherhead Co.)	1	m
	AN824-4D	. . . Tee	1	n
-15	109500-168CFR-4	. . . Line Assembly - 1/4 O.D.	1	All
-15	ER817-4D Nut (The Weatherhead Co.)	2	m
	AN817-4D Nut	2	n
-15	ER819-4 Sleeve (The Weatherhead Co.)	2	m
	AN819-4 Sleeve	2	n
-16	109500-169CFR-4	. . . Line Assembly - 1/4 O.D.	1	All
-16	ER817-4D Nut (The Weatherhead Co.)	2	m
	AN817-4D Nut	2	n
-16	ER819-4 Sleeve (The Weatherhead Co.)	2	m
	AN819-4 Sleeve	2	n
-17	109500-170CFP-4	. . . Line Assembly - 1/4 O.D.	1	All
-17	ER817-4D Nut (The Weatherhead Co.)	2	m
	AN817-4D Nut	2	n
-17	ER819-4 Sleeve (The Weatherhead Co.)	2	m
	AN819-4 Sleeve	2	n
-18	ER824-4D	. . . Tee (The Weatherhead Co.)	1	m
	AN824-4D	. . . Tee	1	n
-19	109500-171CFP-4	. . . Line Assembly - 1/4 O.D.	1	All
-19	ER817-4D Nut (The Weatherhead Co.)	2	m
	AN817-4D Nut	2	n
-19	ER819-4 Sleeve (The Weatherhead Co.)	2	m
	AN819-4 Sleeve	2	n
-20	109500-172CFP-4	. . . Line Assembly - 1/4 O.D.	1	All
-20	ER817-4D Nut (The Weatherhead Co.)	2	m
	AN817-4D Nut	2	n
-20	ER819-4 Sleeve (The Weatherhead Co.)	2	m
	AN819-4 Sleeve	2	n
-21	ER815-4D	. . . Union (The Weatherhead Co.)	1	m
	AN815-4D	. . . Union	1	n
-22	D357	. . . Valve - Selector (Airex Manufacturing Co., Inc.)	2	All
ATTACHING PARTS				
-23	AN3-3	. . . Bolt	4	All



Section II
Group Assembly Parts List

Figure & Index No.	Part No.	Nomenclature							Units Per Assy	Usage Code
		1	2	3	4	5	6	7		
HULL (Cont)										
Cowl Flap Hydraulic Selector Valve Installation (Cont)										
137-24	AN960D10	.	.	.	Washer				4	All
-25	AN775-4	.	.	.	Bolt - Universal Fitting				4	All
-25	ER776-4D	.	.	.	Elbow (The Weatherhead Co.)				4	m
	AN776-4D	.	.	.	Elbow				4	n
-25	AN901-4C	.	.	.	Gasket				8	All
-26	AN775-4	.	.	.	Bolt - Universal fitting				4	All
-26	ER777-4D	.	.	.	Elbow (The Weatherhead Co.)				4	m
	AN777-4D	.	.	.	Elbow				4	n
-26	AN901-4C	.	.	.	Gasket				8	All
-27	AN365-428	.	.	.	Nut				2	All
-28	AN960D616	.	.	.	Washer				6	All

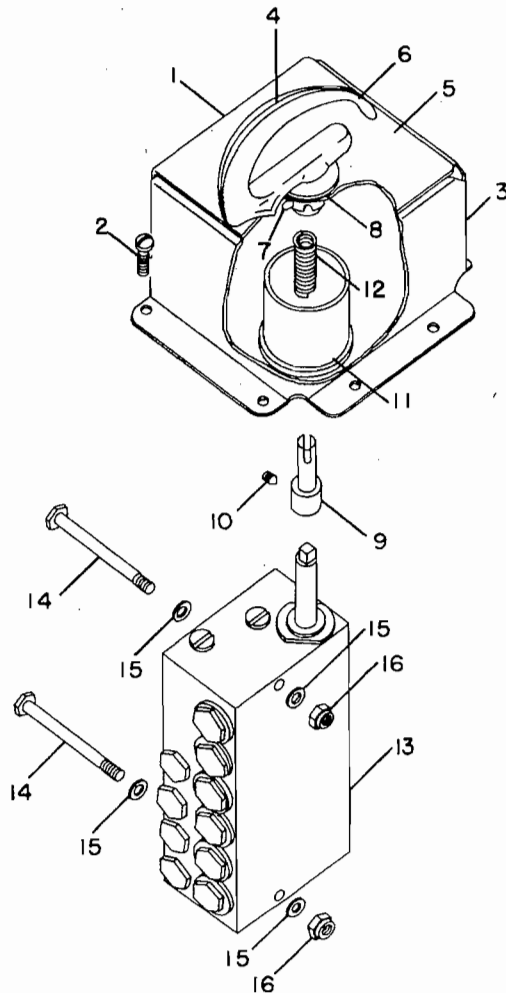
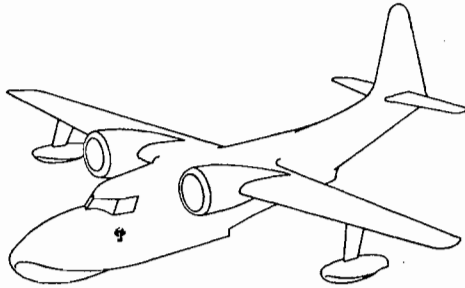


Figure 138—Hydraulic Hand Pump Selector Valve Installation



Section II
Group Assembly Parts List

Figure & Index No.	Part No.	Nomenclature 1 2 3 4 5 6 7	Units Per Assy	Usage Code
HULL (Cont)				
Hydraulic Hand Pump Selector Valve Installation				
138-	109528	. . Valve Installation - Hydraulic hand pump selector (See Fig. 133-3)	Ref	All
-1	109528-1	. . . Cover Assembly (iap)	1	All
ATTACHING PARTS				
-2	AN526-1032-14 Screw	6	All
-3	109596 Bracket	1	All
-4	109602 Handle Assembly	1	All
-5	109602-1 Plate Assembly - Name	1	All
-6	112854 Handle	1	All
-7	109602-2 Pin	1	All
-8	109611 Spacer	1	All
-9	112853	. . . Adapter (iap)	1	All
ATTACHING PARTS				
-10	6-32 x 1/4 Set Screw - Cone point (Parker Kalon Corp.)	1	All
-11	109572	. . . Spacer	1	All
-12	G101-108	. . . Spring	1	All
-13	5-2000	. . . Valve - Selector (Kenyon Instrument Co.)	1	All
ATTACHING PARTS				
-14	AN4-26A	. . . Bolt	2	All
-15	AN960D416	. . . Washer	4	All
-16	AN365-428	. . . Nut	2	All

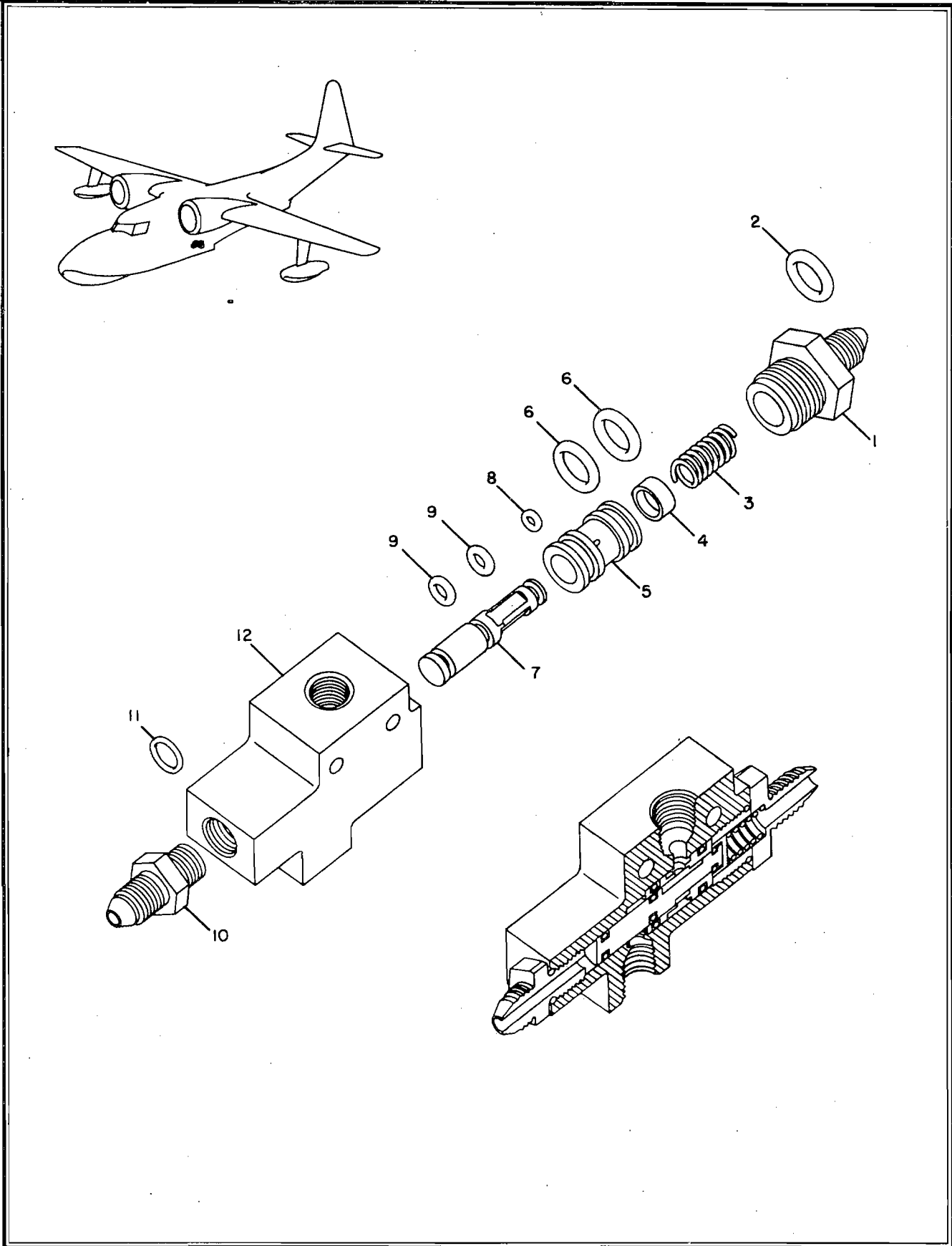


Figure 139—Hydraulic Automatic Vent and Dump Valve Assembly



Figure &
Index No.

Part No.

Nomenclature
1 2 3 4 5 6 7

Units Usage
Per Assy Code

HULL (Cont)

Hydraulic Automatic Vent and Dump Valve Assembly

Figure & Index No.	Part No.	Nomenclature	Units Per Assy	Usage Code
139-	109561	. . Valve Assembly - Hydraulic automatic vent and dump (See Fig. 133-4)	Ref	All
-1	112841	. . . Union	1	All
-2	AN6227-9	. . . Packing - "O" Ring	1	All
-3	G101-203	. . . Spring	1	All
-4	112840	. . . Stop	1	All
-5	112838	. . . Ring	1	All
-6	AN6227-9	. . . Packing - "O" Ring	2	All
-7	112839	. . . Piston	1	All
-8	AN6227-2	. . . Packing - "O" Ring	1	All
-9	AN6227-4	. . . Packing - "O" Ring	2	All
-10	109536	. . . Union	1	All
-11	AN6227-6	. . . Packing - "O" Ring	1	All
-12	112837	. . . Body	1	All

Fire Extinguisher Installation

Figure & Index No.	Part No.	Nomenclature	Units Per Assy	Usage Code
140-	No Number	. Extinguisher Installation - Fire (Reference Grumman drawing no. 109007)	1	All
-1	981282	. . Bottle - CO ₂ (Walter Kidde Co., Inc.)	1	All
-2	109007-21	. . Tube Assembly - 1/4 in. O.D.	1	b
-3	AN821-4D	. . Elbow	1	b
-4	109007-22	. . Tube Assembly - 1/4 in. O.D.	1	b
-5	AN833-4D	. . Elbow - Bulkhead	1	b
-5	AN960D716	. . Washer	1	b
-5	AN924-4D	. . Nut	1	b
-6	109007-23	. . Tube Assembly - 1/4 in. O.D.	1	b
-7	AN832-4D	. . Union - Bulkhead	1	b
-7	AN960D716	. . Washer	1	b
-7	AN924-4D	. . Nut	1	b
-8	109007-24	. . Tube Assembly - 1/4 in. O.D.	1	b
-9	AN833-4D	. . Elbow - Bulkhead	1	b
-9	AN960D716	. . Washer	1	b
-9	AN924-4D	. . Nut	1	b
-10	109007-26	. . Tube Assembly - 1/4 in. O.D.	1	b
-11	AN816-4D	. . Nipple	1	b
-11	921937	. . Indicator - Discharge (Walter Kidde Co., Inc.)	1	b
-12	109007-27	. . Tube Assembly - 1/4 in. O.D.	1	b
-13	922315	. . Fitting - Overboard discharge (Walter Kidde Co., Inc.)	1	b
-13	AN822-4D	. . Elbow	1	b
-14	109007-28	. . Tube Assembly - 1/2 in. O.D.	1	All
-15	AN815-8D	. . Union	1	All
-16	109007-29	. . Tube Assembly - 1/2 in. O.D.	1	All
-17	AN832-8D	. . Union - Bulkhead	1	All
-17	AN960D1216	. . Washer	1	All
-17	AN924-8D	. . Nut	1	All
-18	109007-30	. . Tube Assembly - 1/2 in. O.D.	1	All
-19	AN815-8D	. . Union	1	All
-20	109007-31	. . Tube Assembly - 1/2 in. O.D.	1	All
-21	AN837-8D	. . Elbow - Bulkhead	1	All

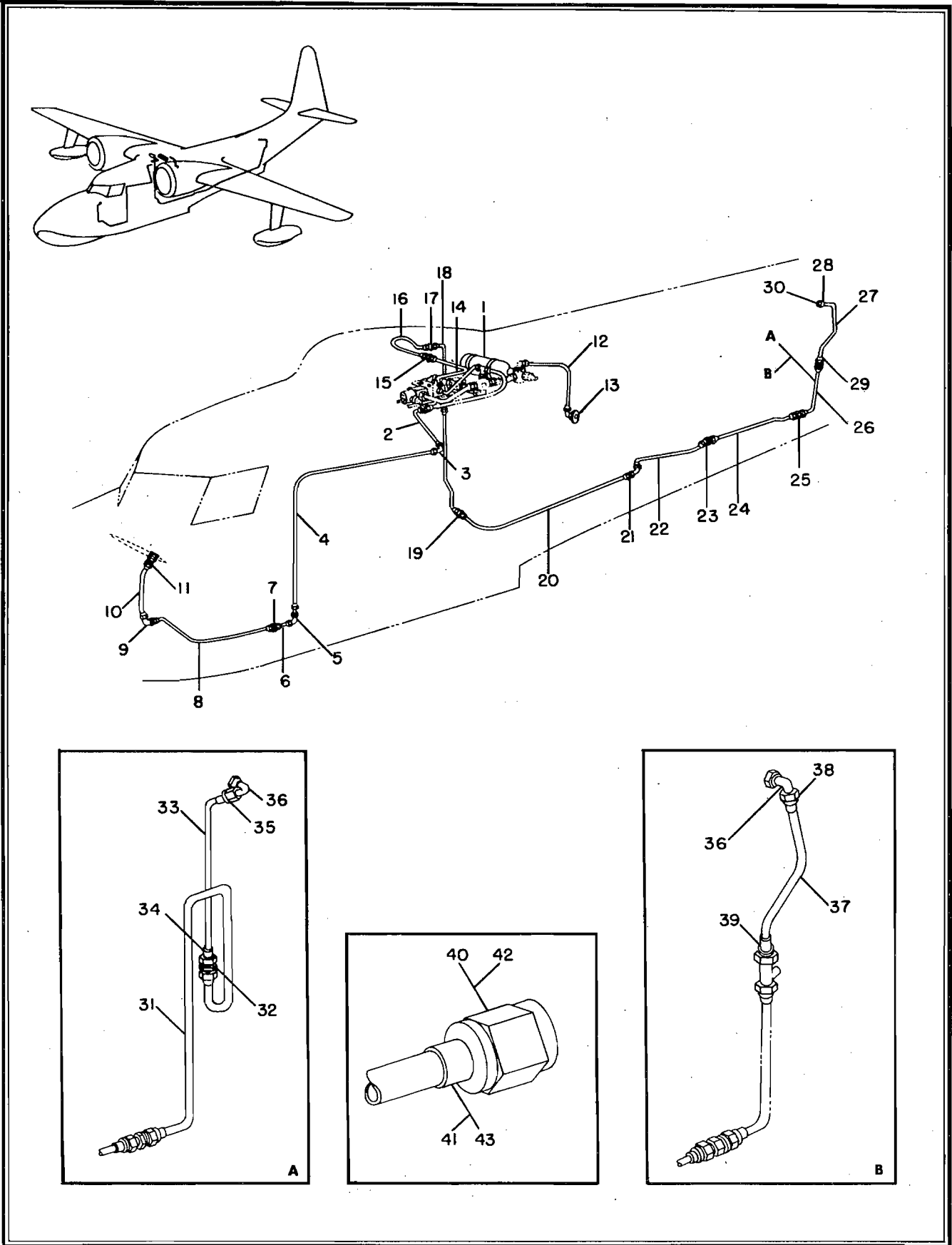


Figure 140—Fire Extinguisher Installation



Section II
Group Assembly Parts List

Figure & Index No.	Part No.	Nomenclature	1 2 3 4 5 6 7	Units Per Assy	Usage Code
-----------------------	----------	--------------	---------------	-------------------	---------------

HULL (Cont)

Fire Extinguisher Installation (Cont)

140-21	AN960D1216	. . Washer		1	All
-21	AN924-8D	. . Nut		1	All
-22	109007-32	. . Tube Assembly - 1/2 in. O.D.		1	All
-23	AN837-8D	. . Elbow - Bulkhead		1	All
-23	AN901-8C	. . Washer		1	All
-23	AN924-8D	. . Nut		1	All
-24	109007-33	. . Tube Assembly - 1/2 in. O.D.		1	All
-25	AN832-8D	. . Union - Bulkhead		1	All
-25	AN901-8C	. . Washer		1	All
-25	AN924-8D	. . Nut		1	All
-26	109210-2	. . Tube Assembly - 1/2 in. O.D.		1	d
-27	109210-7	. . Tube Assembly - 1/2 in. O.D.		1	am
-28	AN818-8	. . . Nut		1	am
-28	AN819-8	. . . Sleeve		1	am
-29	AN818-8D	. . . Nut		1	am
-29	AN819-8Z	. . . Sleeve		1	am
-30	AN816-7	. . Nipple		1	am
-31	109210-3	. . Tube Assembly - 1/2 in. O.D.		1	c
-32	AN919-10D	. . Reducer		1	c
-33	109007-34	. . Tube Assembly - 1/4 in. O.D.		1	c
-34	AN818-4	. . . Nut		1	c
-34	AN819-4	. . . Sleeve		1	c
-35	AN818-4D	. . . Nut		1	c
-35	AN819-4Z	. . . Sleeve		1	c
-36	AN822-4	. . Elbow		1	al
-36	AN912-1	. . Reducer		1	al
-37	109210-1	. . Tube Assembly - 1/4 in. O.D.		1	al
-38	AN818-4	. . . Nut		1	al
-38	AN819-4	. . . Sleeve		1	al
-39	AN818-4D	. . . Nut		1	al
-39	AN819-4Z	. . . Sleeve		1	al
		END FITTINGS FOR 1/4 IN. O.D. TUBE ASSEMBLIES EXCEPT INDEX NOS. 33 AND 37			
-40	AN818-4D	. . . Nut		2	
-41	AN819-4Z	. . . Sleeve		2	
		END FITTINGS FOR 1/2 IN. O.D. TUBE ASSEMBLIES EXCEPT INDEX NO. 27			
-42	AN818-8D	. . . Nut		2	
-43	AN819-8Z	. . . Sleeve		2	

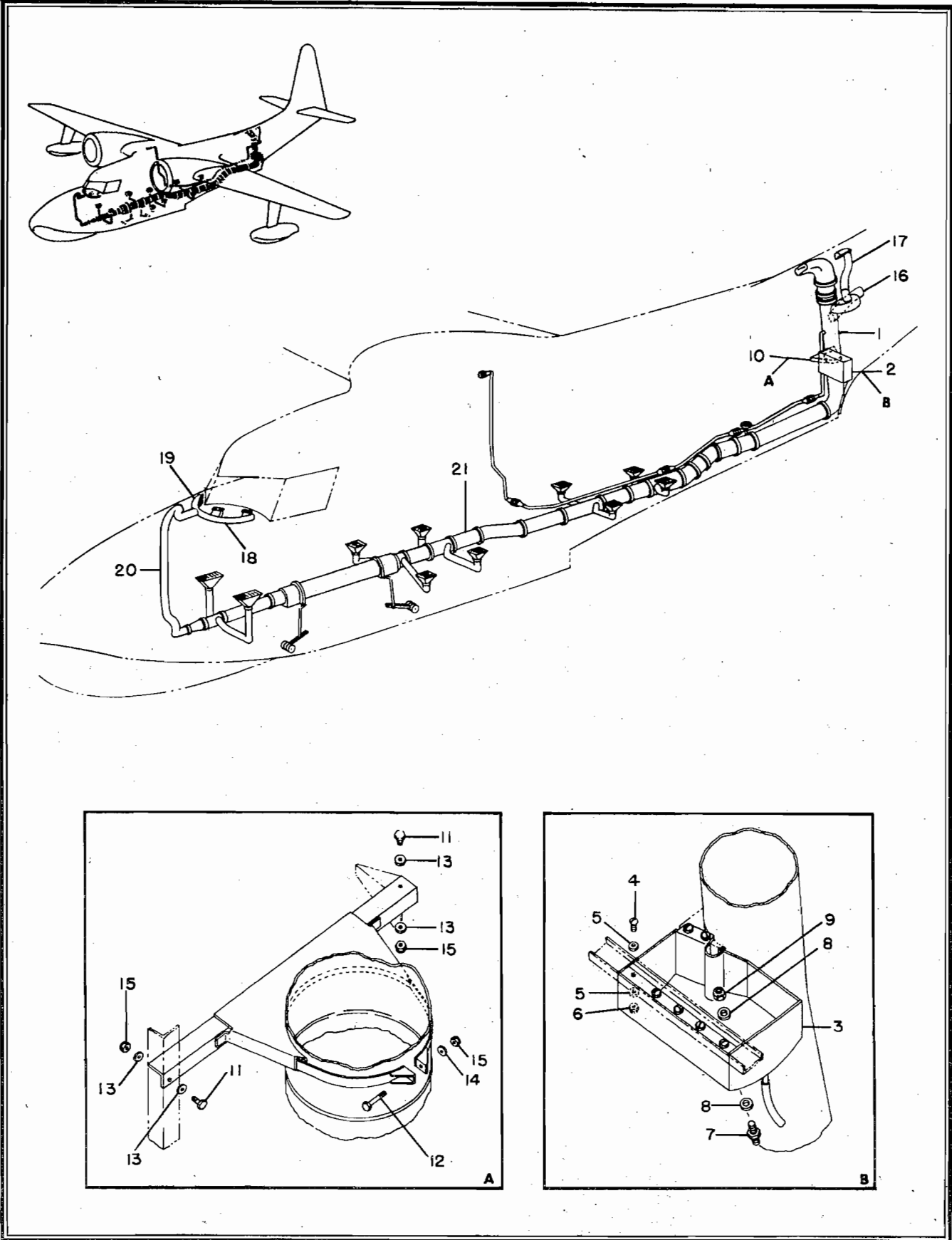


Figure 141—Heating and Defrosting Installation



Section II
Group Assembly Parts List

Figure &
Index No.

Part No.

Nomenclature
1 2 3 4 5 6 7

Units Usage
Per Assy Code

HULL (Cont)

Heating and Defrosting Installation

Figure & Index No.	Part No.	Nomenclature	Units Per Assy	Usage Code
141-	No Number	. Heating and Defrosting Installation (Reference Grumman drawing no. 111280, 110500, 110300, 111264 and 111056)	1	All
-1	111280-1	. . Heater Installation - Cabin (See Fig. 142)	1	ap
	111280-2	. . Heater Installation - Cabin (See Fig. 143)	1	d
-2	110500	. . Unit Installation - Heater fuel control (iap) (See Fig. 144)	1	d
-3	110493	. . Trough Assembly - Heater fuel lines drain (iap)	1	ap
		ATTACHING PARTS		
-4	AN515-6-6	. . . Screw	7	ap
-5	AN960D6	. . . Washer	14	ap
-6	AN365-632	. . . Nut	7	ap
-7	ER832-4D	. . . Union - Bulkhead (The Weatherhead Co.)	1	ap
-8	AN901-4C	. . . Gasket	2	ap
-9	AN924-4D	. . . Nut	1	ap
-10	111289	. . Bracket - Heater support (iap)	1	All
		ATTACHING PARTS		
-11	AN3-5A	. . . Bolt	2	All
-12	AN3-11A	. . . Bolt	1	All
-13	AN960D10	. . . Washer	4	All
-14	AN960-10	. . . Washer	1	All
-15	AN365-1032	. . . Nut	3	All
-16	110335	. . Elbow - Heater blower connecting	1	All
-17	111294-1	. . Duct - Heater combustion air	1	All
-18	111056-1	. . Duct Assembly - Defroster	1	All
-19	111056-2	. . Duct Assembly - Defroster	1	All
-20	111264	. . Duct Installation - Defroster	1	All
-21	110330	. . Heating Installation - Cabin (See Fig. 145)	1	All

Section II
Group Assembly Parts List

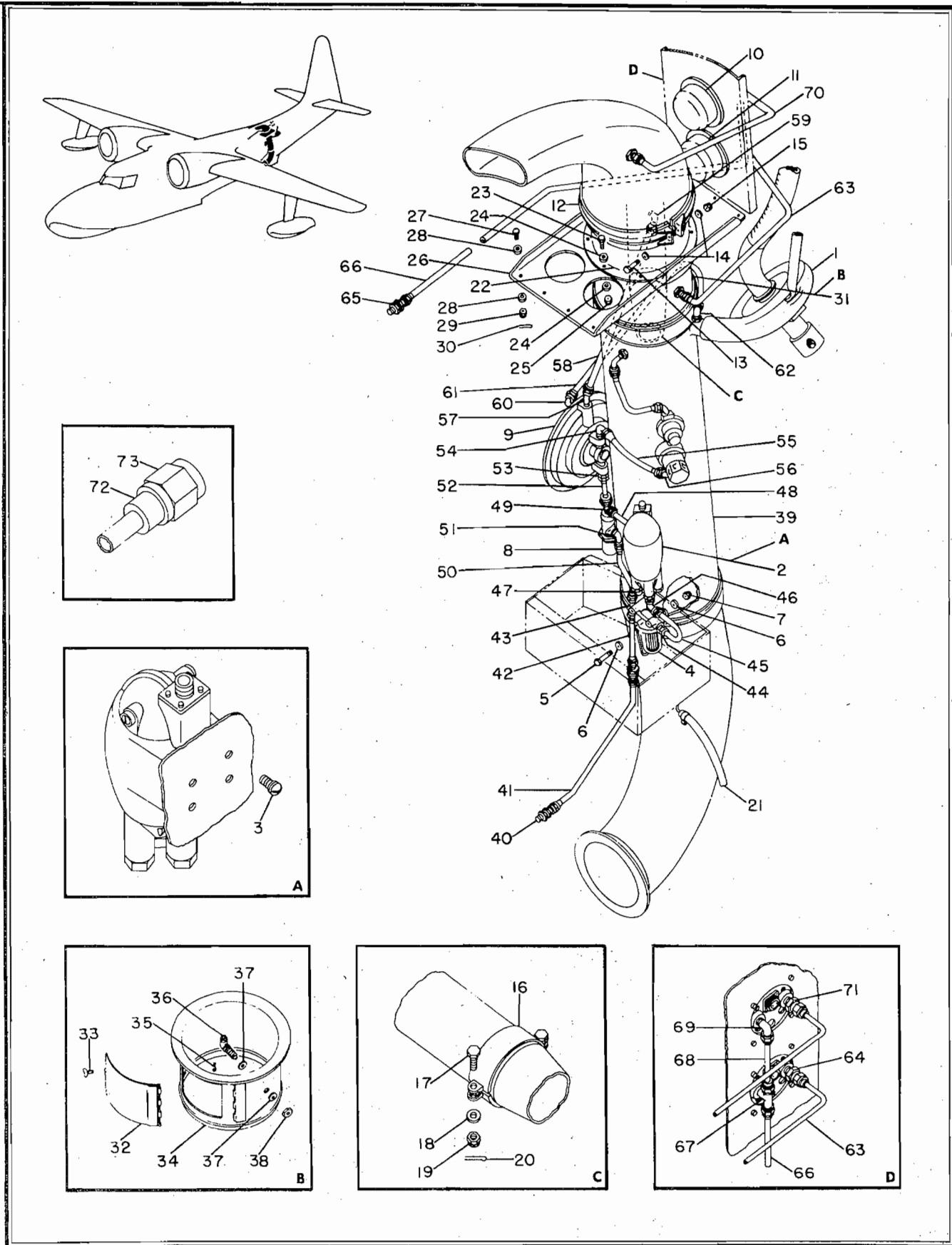


Figure 142—Cabin Heater Installation (See Fig. 143)



Section II
Group Assembly Parts List

Figure & Index No.	Part No.	Nomenclature	Units Per Assy	Usage Code
		1 2 3 4 5 6 7		
HULL (Cont)				
Cabin Heater Installation				
142-	111280-1	. . . Heater Installation - Cabin (See Fig. 141-1)	Ref	ap
-1	CM-008-4 1/2	CC25 . . . Blower (English & Lauer, Inc.)	1	ap
-2	17358-6	. . . Pump (Adel Precision Products Corp.)	1	ap
		ATTACHING PARTS		
-3	AN503-10-6	. . . Screw	4	ap
-4	12755-1	. . . Filter (Adel Precision Products Corp.)	1	ap
		ATTACHING PARTS		
-5	AN3-14A	. . . Bolt	2	ap
-6	AN960D10	. . . Washer	4	ap
-7	AN365-1032	. . . Nut	2	ap
-8	SP7-3046-7	. . . Valve - Relief (Parker Appliance Co.)	1	ap
-9	54A20	. . . Regulator - Fuel pressure (Pittsburgh Equitable Meter) (Furnished with heater ADS-100N-P41, Surface Combustion Corp.)	1	ap
-10	P801-C	. . . Switch - Pressure (Aerotec Company)	1	aq
-11	P801-D	. . . Switch - Pressure (Aerotec Company)	1	aq
-12	111262	. . . Clamp Assembly (iap)	1	ap
		ATTACHING PARTS		
-13	AN4-12A	. . . Bolt	1	ap
-14	AN960D416	. . . Washer	2	ap
-15	AN365-428	. . . Nut	1	ap
-16	AN741-20	. . . Clamp	2	ap
		ATTACHING PARTS		
-17	AN4-7	. . . Bolt	2	ap
-18	AN960-416	. . . Washer	2	ap
-19	AN310-4	. . . Nut	2	ap
-20	AN380C2-2	. . . Cotter	2	ap
-21	111280-3	. . . Tube - Drain	1	ap
-22	AV-6.5-8400-0	. . . Fan (Joy Manufacturing Co.)	1	ap
		ATTACHING PARTS		
-23	AN3-6A	. . . Bolt	8	ap
-24	AN960D10	. . . Washer	16	ap
-25	AN365-1032	. . . Nut	8	ap
-26	111288	. . . Plate - Heater mounting (iap)	1	ap
		ATTACHING PARTS		
-27	AN3-5	. . . Bolt	8	ap
-28	AN960D10	. . . Washer	16	ap
-29	AN310-3	. . . Nut	8	ap
-30	AN380C2-2	. . . Cotter	8	ap
-31	111188	. . . Duct Assembly - Fan heater	1	ap
-32	111189	. . . Door Assembly	1	ap
-33	AW4-25	. . . Fastener (Dzus Fastener Co., Inc.)	1	ap
-34	111188-1	. . . Duct	1	ap
-35	S4-225	. . . Spring (Dzus Fastener Co., Inc.)	1	ap
-36	AN833-4D	. . . Elbow - Bulkhead 90°	1	ap
-37	AN901-4C	. . . Gasket	2	ap
-38	AN924-4D	. . . Nut	1	ap
-39	ADS-100N-P41	. . . Heater (Surface Combustion Corp.)	1	ap
-40	AN832-4D	. . . Union - Bulkhead	1	ap
-40	AN901-4C	. . . Gasket	2	ap
-40	AN924-4D	. . . Nut	1	ap

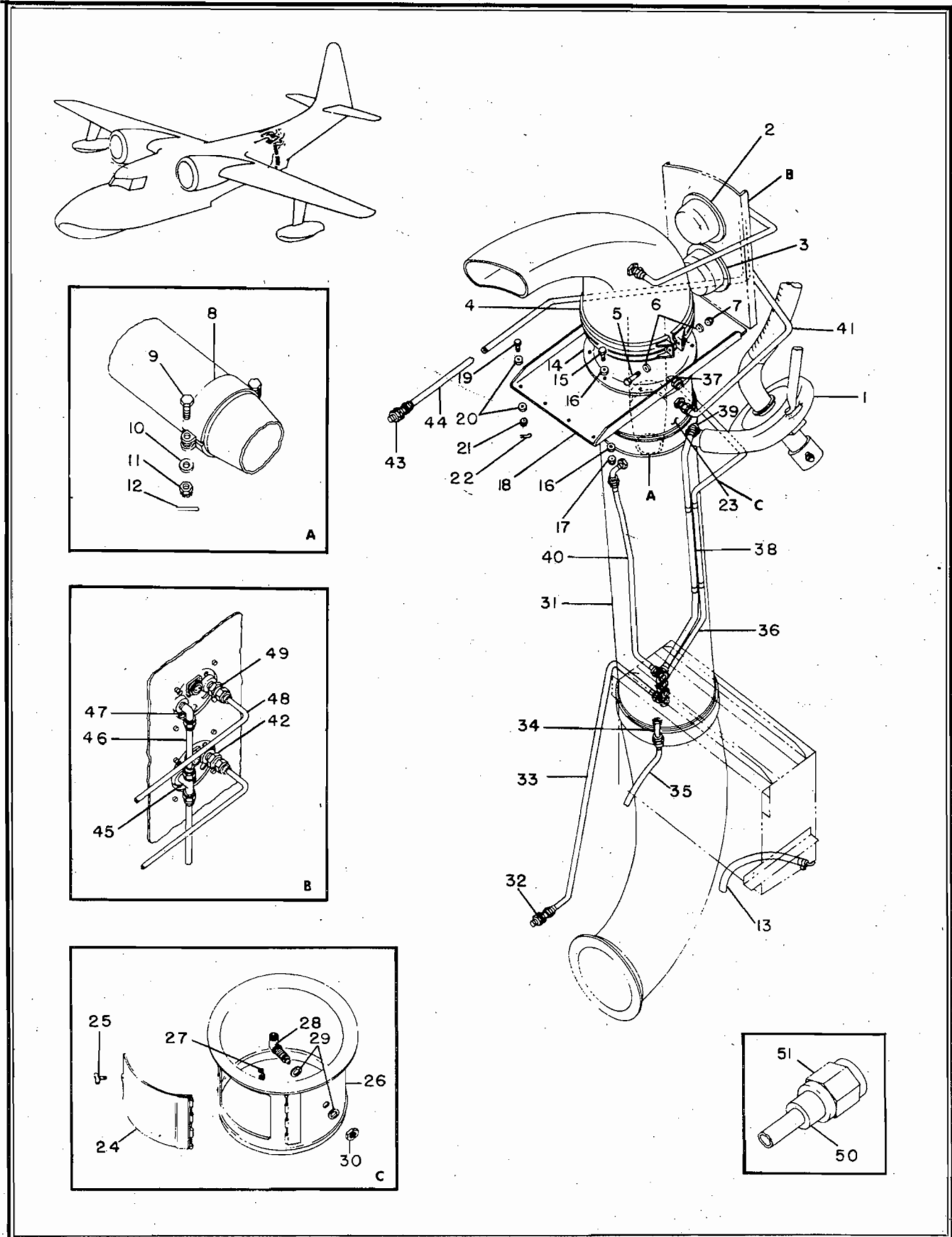


Figure 143—Cabin Heater Installation (See Fig. 144)



Section II
Group Assembly Parts List

Figure &
Index No.

Part No.

Nomenclature
1 2 3 4 5 6 7

Units Usage
Per Assy Code

HULL (Cont)

Cabin Heater Installation (Cont)

142-41	110333-11	. . .	Tube Assembly - 1/4 in. O.D.	1	ap
-42	110333-8	. . .	Tube Assembly - 1/4 in. O.D.	1	ap
-43	AN834-4D	. . .	Tee - Bulkhead	1	ap
-43	AN924-4D	. . .	Nut	1	ap
-43	AN6227-6	. . .	Packing - "O" Ring	1	ap
-44	AN832-4D	. . .	Union - Bulkhead	1	ap
-44	AN924-4D	. . .	Nut	1	ap
-44	AN6227-6	. . .	Packing - "O" Ring	1	ap
-45	110333-10	. . .	Tube Assembly - 1/4 in. O.D.	1	ap
-46	AN833-4D	. . .	Elbow - Bulkhead 90°	1	ap
-46	AN924-4D	. . .	Nut	1	ap
-46	AN6227-6	. . .	Packing - "O" Ring	1	ap
-47	AN821-4D	. . .	Elbow	1	ap
-47	AN924-4D	. . .	Nut	1	ap
-47	AN6227-6	. . .	Packing - "O" Ring	1	ap
-48	110333-7	. . .	Tube Assembly - 1/4 in. O.D.	1	ap
-49	AN826-4D	. . .	Tee	1	ap
-50	110333-9	. . .	Tube Assembly - 1/4 in. O.D.	1	ap
-51	AN822-4D	. . .	Elbow	1	ap
-52	110333-6	. . .	Tube Assembly - 1/4 in. O.D.	1	ap
-53	AN816-4D	. . .	Nipple	1	ap
-54	AN822-4D	. . .	Elbow	1	ap
-55	110333-5	. . .	Tube Assembly - 1/4 in. O.D.	1	ap
-56	AN822-4D	. . .	Elbow	1	ap
-57	AN822-4D	. . .	Elbow	1	ap
-58	110333-2	. . .	Tube Assembly - 1/4 in. O.D.	1	ap
-59	AN822-4	. . .	Elbow	1	ap
-60	AN822-4D	. . .	Elbow	1	ap
-61	110333-1	. . .	Tube Assembly - 1/4 in. O.D.	1	ap
-62	AN822-4D	. . .	Elbow	1	ap
-63	110333-4	. . .	Tube Assembly - 1/4 in. O.D.	1	ap
-64	AN816-4D	. . .	Nipple	1	ap
-65	AN832-4D	. . .	Union - Bulkhead	1	ap
-65	AN901-4C	. . .	Gasket	2	ap
-65	AN924-4D	. . .	Nut	1	ap
-66	110333-26	. . .	Tube Assembly - 1/4 in. O.D.	1	ap
-67	AN825-4D	. . .	Tee	1	ap
-68	110333-22	. . .	Tube Assembly - 1/4 in. O.D.	1	ap
-69	AN822-4D	. . .	Elbow	1	ap
-70	110333-3	. . .	Tube Assembly - 1/4 in. O.D.	1	ap
-71	AN816-4D	. . .	Nipple	1	ap
-71	AN833-4D	. . .	Elbow - Bulkhead 90°	1	ap
-71	AN901-4C	. . .	Gasket	2	ap
-71	AN924-4D	. . .	Nut	1	ap

END FITTINGS FOR 1/4 IN. O.D. LINE ASSEMBLIES

-72	AN819-4Z	Sleeve	2	
-73	AN818-4D	Nut	2	
143-	111280-2	. . .	Heater Installation - Cabin (See Fig. 141-1)	Ref	d
-1	CM-008-4 1/2 CC25	. . .	Blower (English & Lauer, Inc.)	1	d
-2	P801-C	. . .	Switch - Pressure (Aerotec Company)	1	an
-2	CR2927-D100-J19	. . .	Switch - Pressure (General Electric Co.)	1	ao
-3	P801-D	. . .	Switch - Pressure (Aerotec Company)	1	an
-3	CR2927-D100-J20	. . .	Switch - Pressure (General Electric Co.)	1	ao

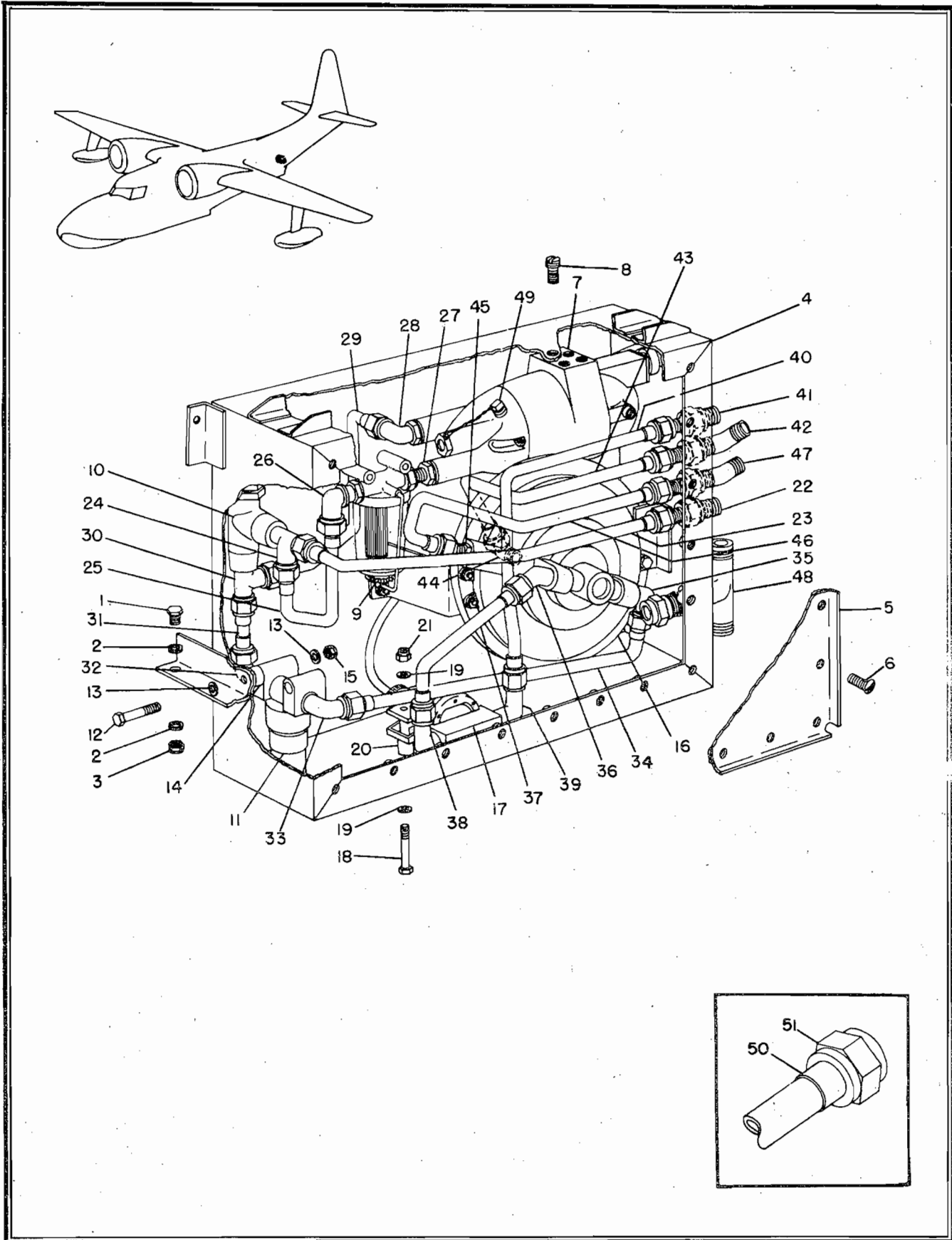


Figure 144—Heater Fuel Control Unit Installation



Section II
Group Assembly Parts List

Figure & Index No.	Part No.	Nomenclature							Units Per Assy	Usage Code
		1	2	3	4	5	6	7		
HULL (Cont)										
Cabin Heater Installation (Cont)										
143-4	111262	Clamp Assembly (iap)						1	d
		ATTACHING PARTS								
-5	AN4-12A	Bolt						1	d
-6	AN960-416	Washer						2	d
-7	AN365-428	Nut						1	d
-8	AN741-20	Clamp						2	d
		ATTACHING PARTS								
-9	AN4-7	Bolt						2	d
-10	AN960-416	Washer						2	d
-11	AN310-4	Nut						2	d
-12	AN380C2-2	Cotter						2	d
-13	111280-3	Tube - Drain						1	d
-14	AV-6.5-8400-0	Fan (Joy Manufacturing Co.)						1	d
		ATTACHING PARTS								
-15	AN3-6A	Bolt						8	d
-16	AN960D10	Washer						16	d
-17	AN365-1032	Nut						8	d
-18	111288	Plate - Heater mounting (iap)						1	d
		ATTACHING PARTS								
-19	AN3-5	Bolt						8	d
-20	AN960D10	Washer						16	d
-21	AN310-3	Nut						8	d
-22	AN380C2-2	Cotter						8	d
-23	111188	Duct Assembly - Fan heater						1	d
-24	111189	Door Assembly						1	d
-25	AW4-25	Fastener (Dzus Fastener Co., Inc.)						1	d
-26	111188-1	Duct						1	d
-27	S4-225	Spring						1	d
-28	AN833-4D	Elbow - Bulkhead 90°						1	d
-29	AN901-4C	Gasket						2	d
-30	AN924-4D	Nut						1	d
-31	ADS-100N-P41	Heater (Surface Combustion Corp.)						1	d
-32	AN832-4D	Union - Bulkhead						1	d
-32	AN901-4C	Gasket						2	d
-32	AN924-4D	Nut						1	d
-33	110333-25	Tube Assembly - 1/4 in. O.D.						1	d
-34	AN822-4	Elbow						1	d
-34	AN912-1S	Bushing - Reducer						1	d
-35	110333-12	Tube Assembly - 1/4 in. O.D.						1	d
-36	110333-28	Tube Assembly - 1/4 in. O.D.						1	d
-37	AN822-4	Elbow						1	d
-36	110333-27	Tube Assembly - 1/4 in. O.D.						1	d
-39	AN822-4D	Elbow						1	d
-40	110333-24	Tube Assembly - 1/4 in. O.D.						1	d
-41	110333-4	Tube Assembly - 1/4 in. O.D.						1	d
-42	AN816-4D	Nipple						1	d
-43	AN832-4D	Union - Bulkhead						1	d
-43	AN901-4C	Gasket						1	d
-43	AN924-4D	Nut						1	d
-44	110333-26	Tube Assembly - 1/4 in. O.D.						1	d
-45	AN825-4D	Tee						1	d
-46	110333-22	Tube Assembly - 1/4 in. O.D.						1	d
-47	AN822-4D	Elbow						1	d
-48	110333-3	Tube Assembly - 1/4 in. O.D.						1	d

Section II
Group Assembly Parts List



Figure & Index No.	Part No.	Nomenclature							Units Per Assy	Usage Code
		1	2	3	4	5	6	7		
HULL (Cont)										
Cabin Heater Installation (Cont)										
143-49	AN816-4D	Nipple						1	d
-49	AN833-4D	Elbow - Bulkhead 90°						1	d
-49	AN901-4C	Gasket						1	d
-49	AN924-4D	Nut						1	d
END FITTINGS FOR 1/4 IN. O.D. LINE ASSEMBLIES										
-50	AN819-4Z	Sleeve						2	
-51	AN818-4D	Nut						2	
Heater Fuel Control Unit Installation										
144-	110500	Unit Installation - Heater fuel control (iap) (See Fig. 141-2)						1	d
ATTACHING PARTS										
-1	AN3-4A	Bolt						4	d
-2	AN960D10	Washer						8	d
-3	AN365-1032	Nut						4	d
-4	110524	Unit Assembly - Heater fuel control						1	d
-5	110526	Cover Assembly (iap)						1	d
ATTACHING PARTS										
-6	AN515-6-8	Screw						24	d
-7	17358-6	Pump - Fuel (Adel Precision Products Corp.)						1	d
ATTACHING PARTS										
-8	AN503-416-8	Screw						4	d
-9	12755-1	Filter (Adel Precision Products Corp.)						1	d
-10	SP7-3046-7	Valve - Relief (Parker Kalon Corp.)						1	d
-11	450	Filter (Skinner Purifiers, Inc.) (Furnished with heater ADS-100N-P41) (Surface Combustion Corp.)						1	d
ATTACHING PARTS										
-12	AN3-20A	Bolt						2	d
-13	AN960D10	Washer						4	d
-14	G5-D3-24	Spacer						2	d
-15	AN365-1032	Nut						2	d
-16	B5 4420	Regulator - Pressure (Surface Combustion Corp.) (Furnished with heater ADS-100N-P41) (Surface Combustion Corp.)						1	d
-17	G104A2CA3	Valve (Minneapolis-Honeywell Regulator Co.) (Furnished with heater ADS-100N-P41) (Surface Combustion Corp.)						1	d
ATTACHING PARTS										
-18	AN3-21A	Bolt						2	d
-19	AN960D10	Washer						4	d
-20	G5-D3-36	Spacer						2	d
-21	AN365-1032	Nut						2	d
-22	AN832-4D	Union - Bulkhead						1	d
-22	AN901-4C	Gasket						2	d



Section II
Group Assembly Parts List

Figure &
Index No.

Part No.

Nomenclature
1 2 3 4 5 6 7

Units Usage
Per Assy Code

HULL (Cont)

Heater Fuel Control Unit Installation (Cont)

144-22	AN924-4D	Nut	1	d
-23	110519-4	Tube Assembly - 1/4 in. O.D.	1	d
-24	AN826-4D	Tee	1	d
-25	110519-8	Tube Assembly - 1/4 in. O.D.	1	d
-26	AN833-4D	Elbow - Bulkhead 90°	1	d
-26	AN6227-6	Packing - "O" Ring	1	d
-26	AN924-4D	Nut	1	d
-27	AN832-4D	Union - Bulkhead	1	d
-27	AN6227-6	Packing - "O" Ring	2	d
-27	AN924-4D	Nut	1	d
-28	AN921-4D	Elbow	1	d
-28	AN6227-6	Packing - "O" Ring	1	d
-29	110519-9	Tube Assembly - 1/4 in. O.D.	1	d
-30	AN826-4D	Tee	1	d
-31	110519-7	Tube Assembly - 1/4 in. O.D.	1	d
-32	AN822-4D	Elbow	1	d
-33	AN822-4D	Elbow	1	d
-34	110519-5	Tube Assembly - 1/4 in. O.D.	1	d
-35	AN822-4D	Elbow	1	d
-36	AN823-4D	Elbow	1	d
-37	110519-6	Tube Assembly - 1/4 in. O.D.	1	d
-38	AN822-4D	Elbow	1	d
-39	AN822-4D	Elbow	1	d
-40	110519-1	Tube Assembly - 1/4 in. O.D.	1	d
-41	AN832-4D	Union - Bulkhead	1	d
-41	AN901-4C	Gasket	2	d
-41	AN924-4D	Nut	1	d
-42	AN833-4D	Elbow - Bulkhead 90°	1	d
-42	AN901-4C	Gasket	2	d
-42	AN924-4D	Nut	1	d
-43	110519-2	Tube Assembly - 1/4 in. O.D.	1	d
-44	AN822-4D	Elbow	1	d
-45	AN816-4D	Nipple	1	d
-46	110519-3	Tube Assembly - 1/4 in. O.D.	1	d
-47	AN833-4D	Elbow - Bulkhead 90°	1	d
-47	AN901-4C	Gasket	2	d
47	AN924-4D	Nut	1	d
18	AN834-8D	Tee - Bulkhead	1	d
-48	AN901-8C	Gasket	2	d
-48	AN924-8D	Nut	1	d
-48	111373	Cap - Vent	1	d
-49	AN913-1D	Plug	1	d
END FITTINGS FOR 1/4 IN. O.D. TUBE ASSEMBLIES					
-50	AN819-4Z	Sleeve	2	
-51	AN818-4D	Nut	2	

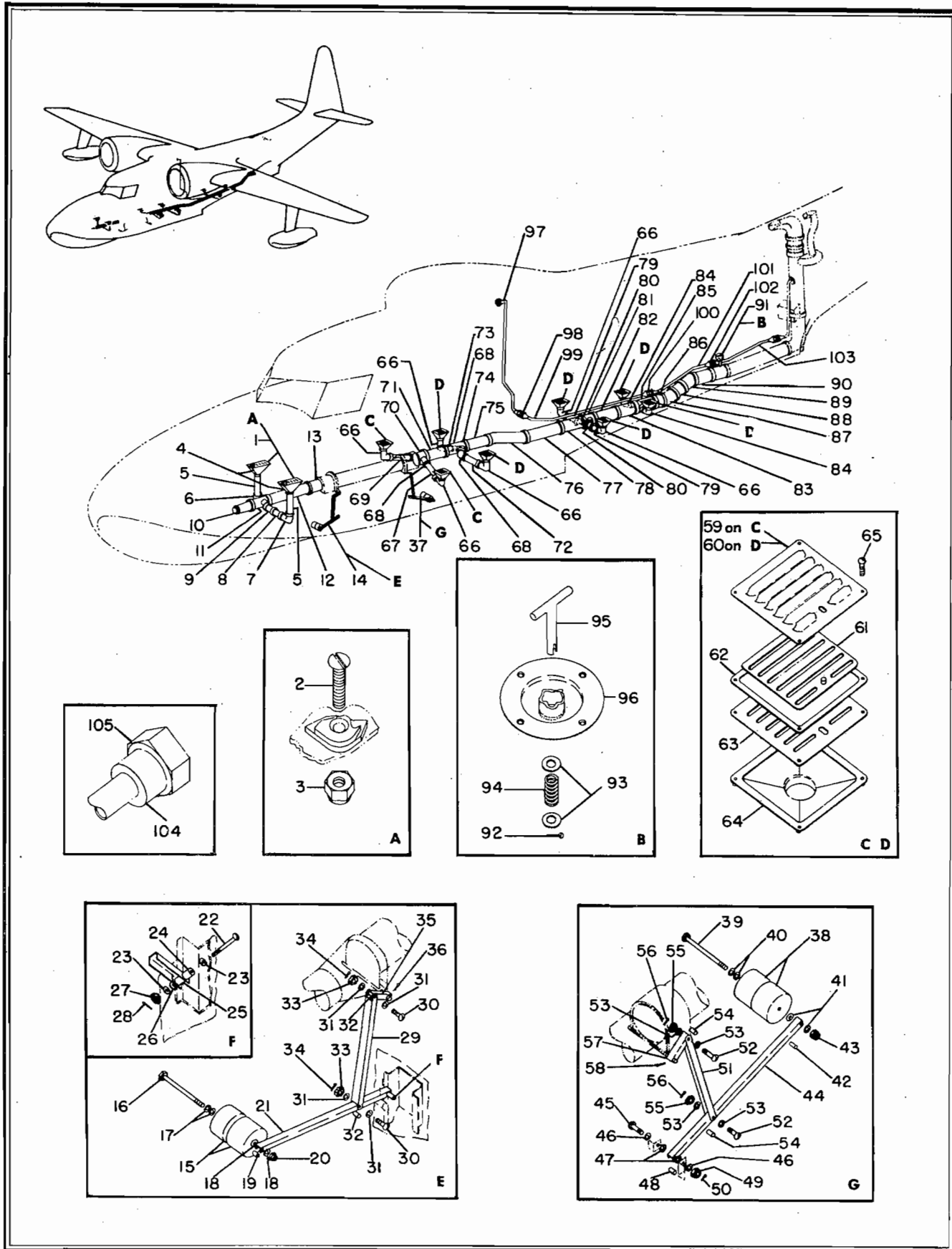


Figure 145—Cabin Heating Installation



Section II
Group Assembly Parts List

Figure & Index No.	Part No.	Nomenclature 1 2 3 4 5 6 7	Units Per Assy	Usage Code
HULL (Cont)				
Cabin Heating Installation				
145-	110330	. . Heating Installation - Cabin (See Fig. 141-25)	Ref	All
-1	111175	. . . Outlet Assembly - Pilot's cockpit duct (iap)	2	All
ATTACHING PARTS				
-2	AN505-8-14 Screw	4	All
-3	AN365-832 Nut	4	All
-4	111184	. . . Transition - Outlet	2	All
-5	111163-4	. . . Duct - Vertical	2	All
-6	111180	. . . Elbow	1	All
-7	111182	. . . Elbow	1	All
-8	111163-5	. . . Duct	1	All
-9	111183	. . . Elbow	1	All
-10	111127	. . . Transition	1	All
-11	111149	. . . Branch Assembly	1	All
-12	111148	. . . Duct	1	All
-13	111147	. . . Duct	1	All
-14	111194-2	. . . Mechanism Installation - Watertight door	1	All
-15	111195 Float - Cork (iap)	2	All
ATTACHING PARTS				
-16	AN3DD47A Bolt	1	All
-17	AN960A10L Washer	2	All
-18	AN960A10 Washer	2	All
-19	G5-D3-35 Spacer	1	All
-20	AN365D1032 Nut	1	All
-21	111197-2 Lever - Horizontal (iap)	1	All
ATTACHING PARTS				
-22	AN23-28 Bolt	1	All
-23	AN960A10L Washer	2	All
-24	G5-D3-32 Spacer	1	All
-25	G5-D3-35 Spacer	1	All
-26	AN960A10 Washer	1	All
-27	AN320-3 Nut	1	All
-28	AN380C2-2 Cotter	1	All
-29	111197-1 Lever - Vertical (iap)	1	All
ATTACHING PARTS				
-30	AN23-17 Bolt	2	All
-31	AN960A10L Washer	4	All
-32	G5-D3-35 Spacer	2	All
-33	AN320-3 Nut	2	All
-34	AN380C2-2 Cotter	2	All
-35	111196 Lever Assembly (iap)	1	All
ATTACHING PARTS				
-36	AN380-3-3 Cotter	1	All
-37	111194-1	. . . Mechanism Installation - Watertight door	1	All
-38	111195 Float - Cork (iap)	2	All
ATTACHING PARTS				
-39	AN3DD47A Bolt	1	All
-40	AN960A10L Washer	2	All
-41	AN960A10 Washer	2	All
-42	G5-D3-35 Spacer	1	All
-43	AN365D1032 Nut	1	All
-44	111197-2 Lever - Horizontal (iap)	1	All
ATTACHING PARTS				
-45	AN23-20 Bolt	1	All
-46	AN960A10L Washer	2	All
-47	AN960A10 Washer	2	All

Section II
Group Assembly Parts List



Figure & Index No.	Part No.	Nomenclature	Units Per Assy	Usage Code
		1 2 3 4 5 6 7		
HULL (Cont)				
Cabin Heating Installation (Cont)				
145-48	G5-D3-35 Spacer	1	All
-49	AN320-3 Nut	1	All
-50	AN380C2-2 Cotter	1	All
-51	111197-1 Lever - Vertical (iap)	1	All
ATTACHING PARTS				
-52	AN23-17 Bolt	2	All
-53	AN960A10L Washer	4	All
-54	G5-D3-35 Spacer	2	All
-55	AN320-3 Nut	2	All
-56	AN380C2-2 Cotter	2	All
-57	111196 Lever Assembly (iap)	1	All
ATTACHING PARTS				
-58	AN380-3-3 Cotter	1	All
-59	111151-2 Outlet	2	All
-60	111151-1 Outlet	6	All
-61	110513-1 Slide Assembly	8	All
-62	110513-3 Stop	8	All
-63	110513-2 Grill	8	All
-64	111150 Transition (iap)	8	All
ATTACHING PARTS				
-65	AN526-1032-14 Screw	4	All
-66	111156 Elbow	6	All
-67	110330-2 Hose - Flex	1	All
-68	111159 Elbow	3	All
-69	111163-3 Duct	1	All
-70	111128 Branch Assembly	1	ar
-71	111129 Transition	1	ar
-72	111163-1 Duct	1	All
-73	111160 Duct	1	All
-74	111130 Branch Assembly	1	ar
-75	111131 Duct	1	ar
-76	111132 Duct	1	ar
-77	111133 Duct	1	ar
-78	111134 Transition	1	ar
-79	111157 Duct	2	All
-80	111158 Elbow	2	All
-81	111135 Branch Assembly	1	ar
-82	111136 Duct	1	ar
-83	111137 Transition	1	ar
-84	111162 Elbow	2	All
-85	111138 Branch Assembly	1	ar
-86	111139 Duct	1	ar
-87	111140 Duct	1	ar
-88	111141 Duct	1	ar
-89	111142 Duct	1	ar
-90	111143 Duct	1	ar
-91	110497 Control Assembly - Damper	1	All
-92	AN380C2-2 Cotter	1	All
-93	AN960D516 Washer	2	All
-94	G101-40 Spring	1	All
-95	110499 Handle Assembly	1	All
-96	110496-1 Cup Assembly	1	All
-97	110333-18 Tube Assembly - 1/4 in. O.D.	1	All
-98	AN815-4D Union	1	All
-99	110333-19 Tube Assembly - 1/4 in. O.D.	1	All



Section II
Group Assembly Parts List

Figure & Index No.	Part No.	Nomenclature							Units Per Assy	Usage Code
		1	2	3	4	5	6	7		
HULL (Cont)										
Cabin Heating Installation (Cont)										
145-100	AN832-4D	.	.	.	Union - Bulkhead				1	All
-100	AN901-4C	.	.	.	Gasket				2	All
-100	AN924-4D	.	.	.	Nut				1	All
-101	110330-20	.	.	.	Tube Assembly - 1/4 in. O.D.				1	All
-102	AN832-4D	.	.	.	Union - Bulkhead				1	All
-102	AN901-4C	.	.	.	Gasket				2	All
-102	AN924-4D	.	.	.	Nut				1	All
-103	110333-21	.	.	.	Tube Assembly - 1/4 in. O.D.				1	All
END FITTINGS FOR 1/4 IN. O.D. TUBE ASSEMBLIES										
-104	AN819-4Z	.	.	.	Sleeve				2	All
-105	AN818-4D	.	.	.	Nut				2	All

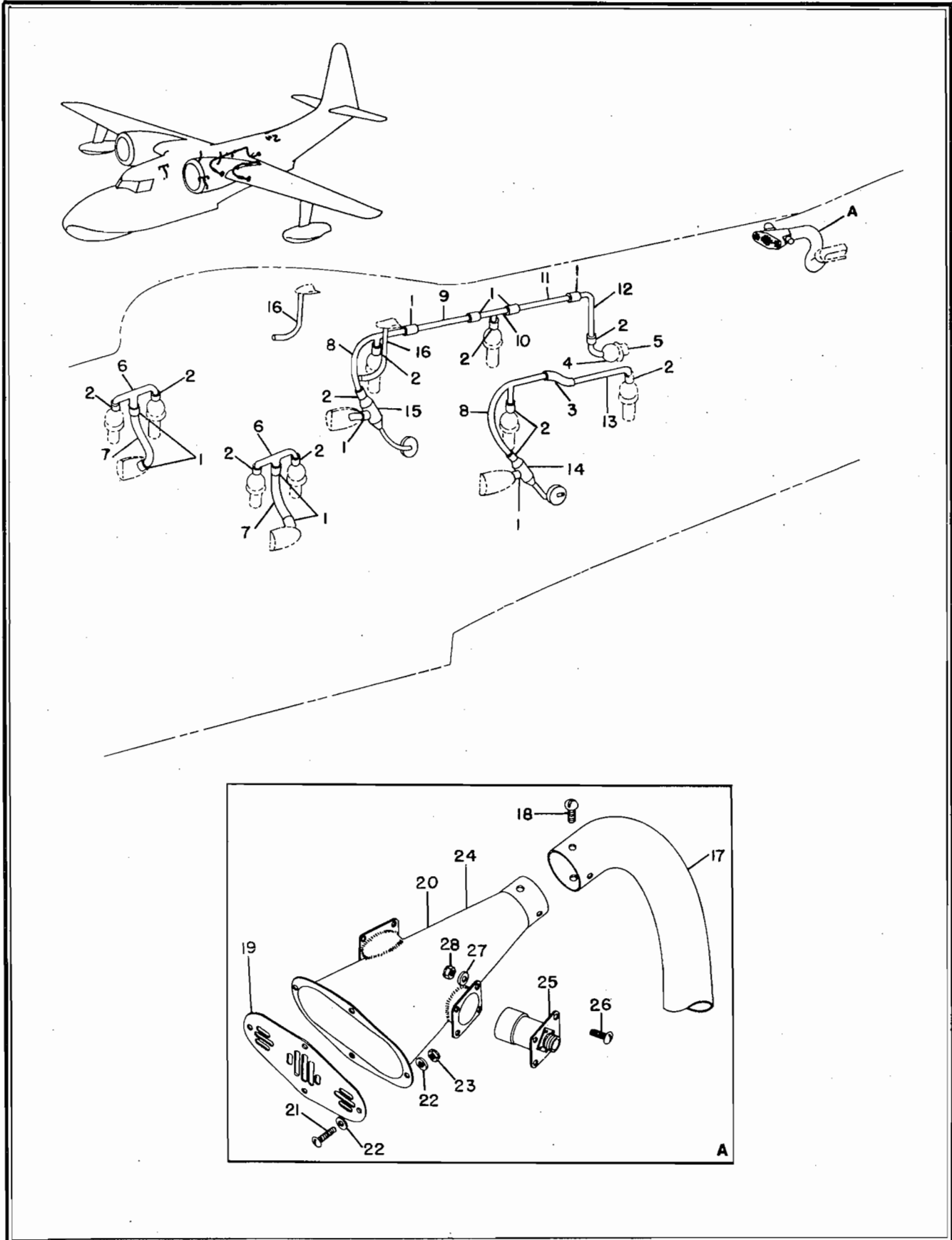


Figure 146—Ventilation System Installation (See Fig. 147)



Section II
Group Assembly Parts List

Figure & Index No.	Part No.	Nomenclature 1 2 3 4 5 6 7	Units Per Assy	Usage Code
HULL (Cont)				
Ventilation System Installation				
146-	No Number	. System Installation - Ventilation	1	ba
-1	45370-2795x3/4	. . Hose 2 1/2 In. Long (U.S. Rubber Co.)	10	ba
-2	45370-2795x3/4	. . Hose 2 In. Long (U.S. Rubber Co.)	11	ba
-3	45370-2654	. . Hose (U.S. Rubber Co.)	1	ba
-4	110464	. . Adapter - Sta. 344 fresh air	1	ba
-5	SA54-9A	. . Vent (Industrial Design Lab.)	1	ba
-6	110322-15	. . Tube Assembly	2	ba
-7	110322-26	. . Tube	2	ba
-8	110322-13	. . Tube Assembly	2	ba
-9	110322-18	. . Tube	1	ba
-10	110322-14	. . Tube Assembly	1	ba
-11	110322-19	. . Tube	1	ba
-12	110322-17	. . Tube	1	ba
-13	110322-16	. . Tube	1	ba
-14	111379L	. . Separator - Water	1	ba
-15	111379R	. . Separator - Water	1	ba
-16	111012-2	. . Tube - Sta. 245 exhaust air flex	2	ba
-17	111293-1	. . Tube - Toilet compartment air outlet (iap)	1	ba
ATTACHING PARTS				
-18	AN530-4-4	. . . Screw	8	ba
-19	110345	. . Plate - Toilet compartment air outlet	1	ba
-20	110534	. . Duct Assembly - Heater thermostat and lavatory exhaust (iap)	1	ba
ATTACHING PARTS				
-21	AN526-8-8	. . . Screw	4	ba
-22	G169-8	. . . Washer	8	ba
-23	AN365-832	. . . Nut	4	ba
-24	110534-1	. . . Duct Assembly	1	ba
-25	AYLF2242	. . . Switch (Barber-Colman Co.)	2	ba
ATTACHING PARTS				
-26	AN515-8-7	. . . Screw	8	ba
-27	AN960-816	. . . Washer	8	ba
-28	AN365-832	. . . Nut	8	ba
147-	110607L	. System Installation - Ventilation L.H.	1	bc
	110607R	. System Installation - Ventilation R.H.	1	bc
-1	AN878-12-15	. . Hose	30	bc
-2	AN878-16-16	. . Hose	17	bc
-3	AN878-20-15	. . Hose	8	bc
-4	AN878-16-36	. . Hose	2	bc
-5	Comm.	. . Hose - Style 228 or 208 12 in. (U.S. Rubber Co.)	2	bc
-6	45370-2654	. . Hose (U.S. Rubber Co.)	2	bc
-7	110607-1	. . Tube - 1 in. O.D. (L.H.)	1	bc
-8	110607-19	. . Tube - 1 in. O.D. (L.H.)	1	bc
-9	110607-2	. . Tube - 1 in. O.D. (R.H.)	1	bc
-10	110607-3	. . Tube - 1 in. O.D.	2	bc
-11	110596	. . Tube Assembly - 1 in. O.D.	2	bc
-12	110595-4	. . Tube Assembly - 1 in. O.D.	2	bc
-13	110607-4	. . Tube - 1 in. O.D.	2	bc
-14	110607-5	. . Tube - 1 in. O.D.	2	bc
-15	110595-1	. . Tube Assembly - 1 in. O.D.	2	bc
-16	110607-6	. . Tube - 1 in. O.D. (L.H.)	1	bc
-17	110607-20	. . Tube - 1 in. O.D. (R.H.)	1	bc

Section II
Group Assembly Parts List

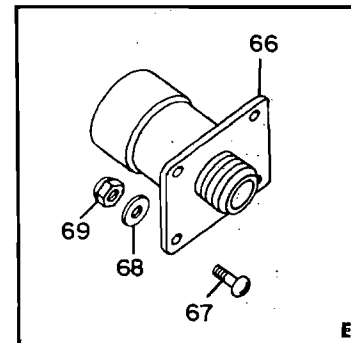
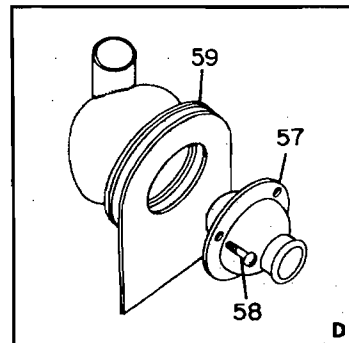
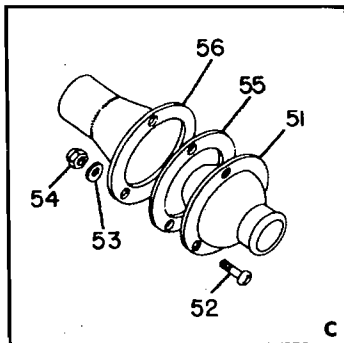
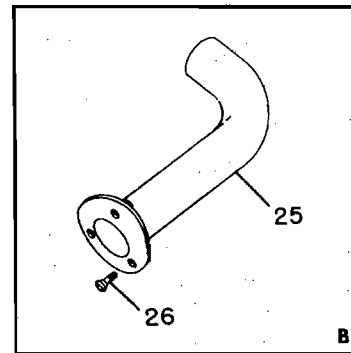
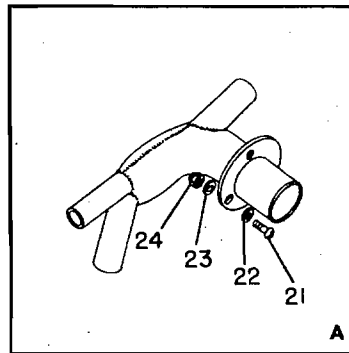
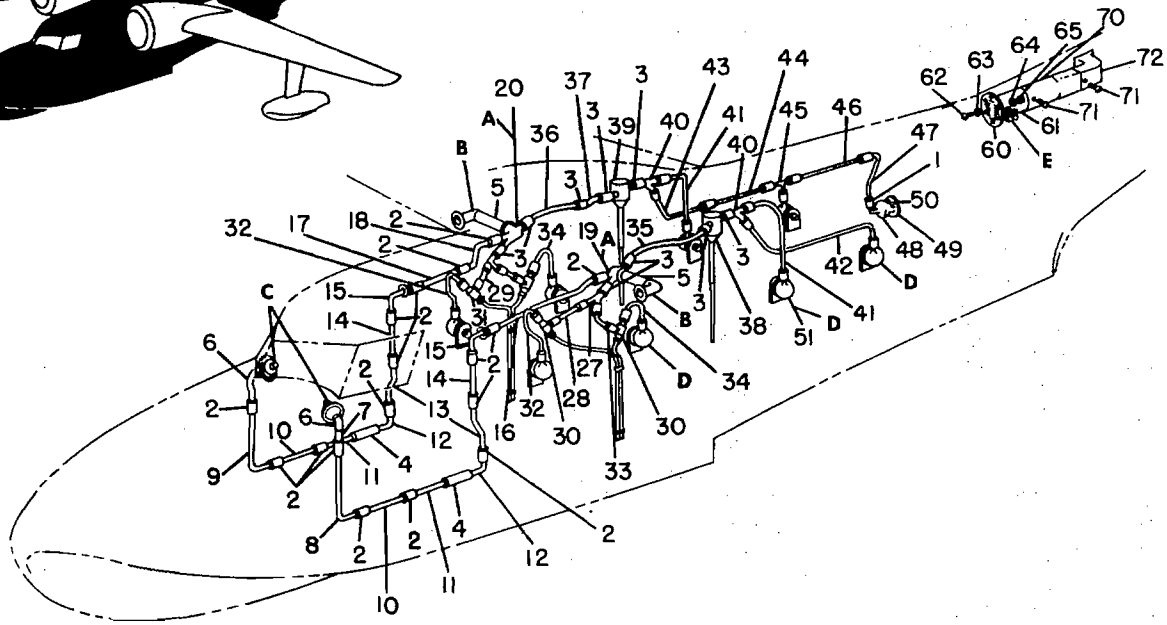
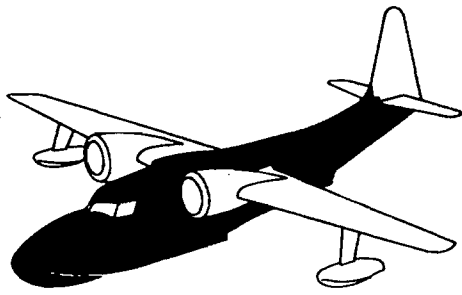


Figure 147—Ventilation System Installation (See Fig. 146)



Section II
Group Assembly Parts List

Figure & Index No.	Part No.	Nomenclature	Units Per Assy	Usage Code
		1 2 3 4 5 6 7		
HULL (Cont)				
Ventilation System Installation (Cont)				
147-18	110607-21	. . . Tube - 1 in. O.D.	(R.H.) 1	bc
-19	110593L	. . . Tube Assembly L.H. (iap)	(L.H.) 1	bc
-20	110593R	. . . Tube Assembly R.H. (iap)	(R.H.) 1	bc
ATTACHING PARTS				
-21	AN515-8-8	. . . Screw	3	bc
-22	AN960A8L	. . . Washer	3	bc
-23	AN960D8	. . . Washer	3	bc
-24	AN364-832	. . . Nut	3	bc
-25	110590L	. . Intake L.H. (iap)	(L.H.) 1	bc
	110590R	. . Intake R.H. (iap)	(R.H.) 1	bc
ATTACHING PARTS				
-26	AN505-8-10	. . . Screw	3	bc
-27	110594-1	. . Tube Assembly	2	bc
-28	110607-7	. . Tube - 3/4 in. O.D.	(L.H.) 1	bc
-29	110607-22	. . Tube - 3/4 in. O.D.	(R.H.) 1	bc
-30	111379L	. . Separator - Water L.H.	(L.H.) 2	bc
-31	111379R	. . Separator - Water R.H.	(R.H.) 2	bc
-32	110607-17	. . Tube - 3/4 in. O.D.	2	bc
-33	110607-25	. . Tube - 3/4 in. O.D.	2	bc
-34	110607-8	. . Tube - 3/4 in. O.D.	2	bc
-35	110607-16	. . Tube - 1 1/4 in. O.D.	(L.H.) 1	bc
-36	110607-9	. . Tube - 1 1/4 in. O.D.	(R.H.) 1	bc
-37	110607-18	. . Tube - 1 1/4 in. O.D.	(R.H.) 1	bc
-38	110611L	. . Separator - Water L.H.	(L.H.) 1	bc
-39	110611R	. . Separator - Water R.H.	(R.H.) 1	bc
-40	110594-3	. . Tube Assembly	2	bc
-41	110607-10	. . Tube - 3/4 in. O.D.	2	bc
-42	110607-15	. . Tube - 3/4 in. O.D.	(L.H.) 1	bc
-43	110607-23	. . Tube - 3/4 in. O.D.	(R.H.) 1	bc
-44	110607-12	. . Tube - 3/4 in. O.D.	(R.H.) 1	bc
-45	110601	. . Tube Assembly	(R.H.) 1	bc
-46	110607-13	. . Tube - 3/4 in. O.D.	(R.H.) 1	bc
-47	110607-14	. . Tube - 3/4 in. O.D.	(R.H.) 1	bc
-48	110464	. . Adapter	(R.H.) 1	bc
-49	111341	. . Gasket	(R.H.) 1	bc
-50	SA54-9A	. . Vent (Industrial Design Laboratory)	(R.H.) 1	bc
-51	Type AR 1 1/2	. . Louvre - Punkah (Thermotank, Ltd.)	2	bc
ATTACHING PARTS				
-52	AN515-6-8	. . Screw	6	bc
-53	AN960D6	. . Washer	6	bc
-54	AN365-632	. . Nut	6	bc
-55	110610	. . Gasket	2	bc
-56	110609	. . Adapter	2	bc
-57	Type AR 1 1/2	. . Louvre - Punkah (Thermotank, Ltd.)	8	bc
ATTACHING PARTS				
-58	AN515-6-8	. . Screw	24	bc
-59	110599	. . Support Assembly - Louvre	8	bc
-60	110597	. . Grill - Lavatory ventilation	1	bc
-61	110606-1	. . Duct - Baggage compartment (iap)	1	bc
ATTACHING PARTS				
-62	AN515-8-8	. . . Screw	6	bc
-63	AN960A8L	. . . Washer	6	bc
-64	AN960D8	. . . Washer	6	bc

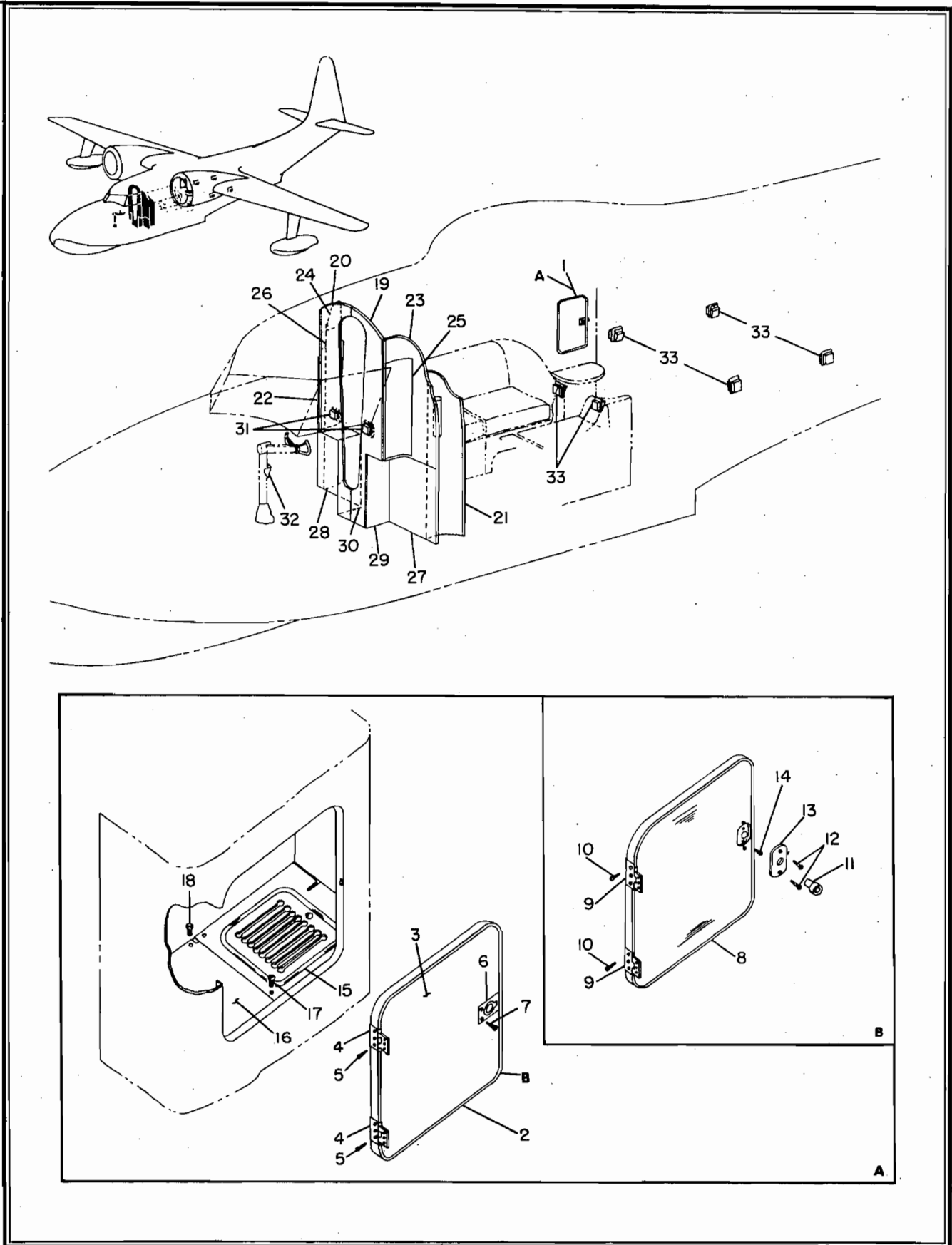


Figure 148—Cabinets, Closets, Panels and Ash Receivers Installation



Figure & Index No.	Part No.	Nomenclature 1 2 3 4 5 6 7	Units Per Assy	Usage Code
-----------------------	----------	-------------------------------	-------------------	---------------

HULL (Cont)

Ventilation System Installation (Cont)

147-65	AN364-832	. . . Nut	6	bc
-66	AYLF 2242	. . . Switch (Barber-Colman Co.)	2	bc
		ATTACHING PARTS		
-67	AN515-8-7	. . . Screw	8	bc
-68	AN960-816	. . . Washer	8	bc
-69	AN365-832	. . . Nut	8	bc
-70	110606-6	. . Duct - Lavatory ventilation (iap)	1	bc
		ATTACHING PARTS		
-71	AN530-8-8	. . . Screw	8	bc
-72	110605	. . Vent - Lavatory ventilation	1	bc

Cabinets, Closets, Panels and Ash Receivers Installation

148-	No Number	. Cabinets, Closets, Panels and Ash Receivers Installation	1	All
-1	110360	. . Cabinet Installation - Water	1	All
-2	110437-1	. . . Door Assembly	1	av
-3	110437-3 Door Assembly	1	av
-4	110437-14 Hinge (iap)	2	av
		ATTACHING PARTS		
-5	AN550-4-4 Screw	3	av
-6	665 Latch (Safe, Padlock and Hardware Co.)	1	av
		ATTACHING PARTS		
-7	AN550-4-4 Screw	4	av
-8	110562	. . . Door Assembly	1	cc
-9	110566-8 Hinge (iap)	2	cc
		ATTACHING PARTS		
-10	AN550-4-4 Screw	3	cc
-11	797M-3T	. . . Latch - Knob (Colonial Hardware Co.)	1	cc
		ATTACHING PARTS		
-12	AN545-4-3	. . . Screw	2	cc
-13	110541	. . . Escutcheon (iap)	1	cc
		ATTACHING PARTS		
-14	G384-4-3 Screw	2	cc
-15	110361-2	. . . Cover Assembly - Tray	1	All
-16	110365	. . . Tray Assembly (iap)	1	All
		ATTACHING PARTS		
-17	AN526-632-9 Screw	1	All
-18	G113-8 Screw	3	All
-19	107308L	. . Panel Assembly - Sta. 140 plywood L.H.	1	All
-20	107308R	. . Panel Assembly - Sta. 140 plywood R.H.	1	All
-21	111167L	. . Column Assembly - Light L.H.	1	All
-22	111167R	. . Column Assembly - Light R.H.	1	All
-23	111169-1L	. . Cabinet Assembly - Sta. 140 upper L.H.	1	All
-24	111169-1R	. . Cabinet Assembly - Sta. 140 upper R.H.	1	All
-25	111169-23L	. . . Door Assembly L.H.	1	All
-26	111169-23R	. . . Door Assembly R.H.	1	All
-27	111168-1L	. . Cabinet Assembly - Sta. 140 lower L.H.	1	All
-28	111168-1R	. . Cabinet Assembly - Sta. 140 lower R.H.	1	All

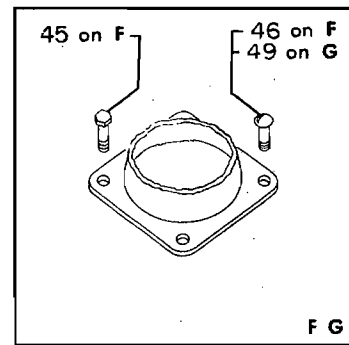
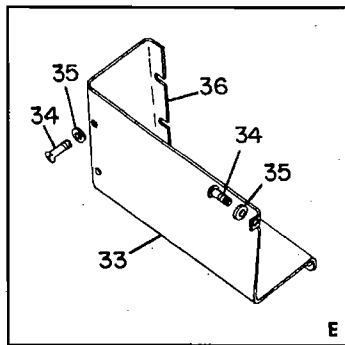
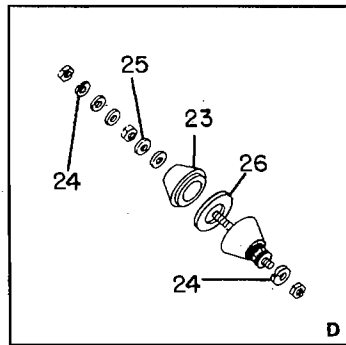
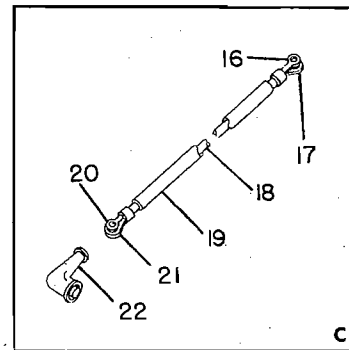
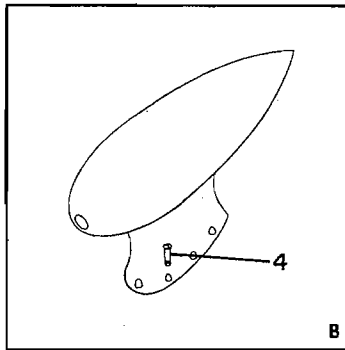
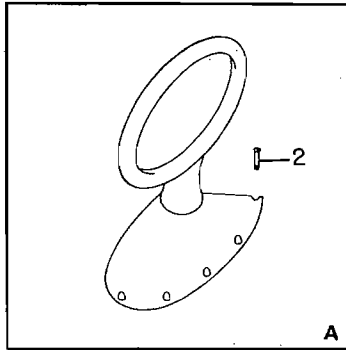
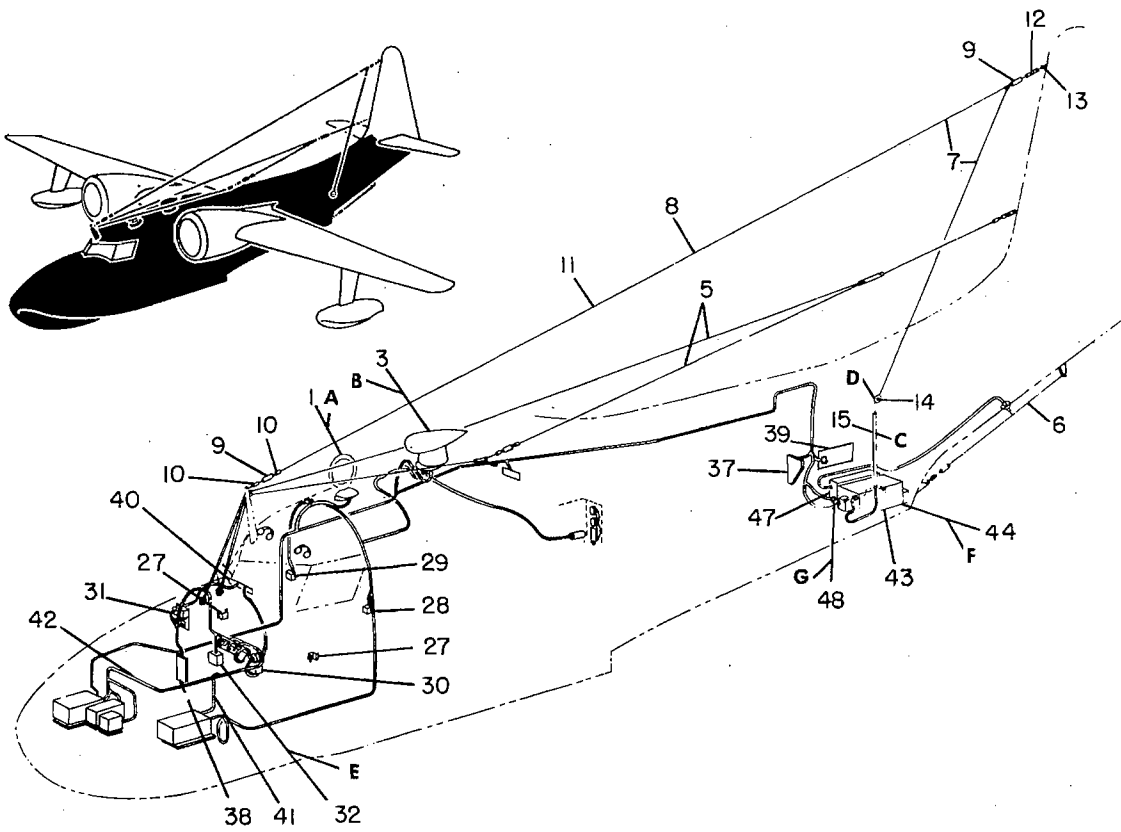


Figure 149—Radio Installation (See Fig. 150)



Figure & Index No.	Part No.	Nomenclature	1 2 3 4 5 6 7	Units Per Assy	Usage Code
-----------------------	----------	--------------	---------------	-------------------	---------------

HULL (Cont)

Cabinets, Closets, Panels and Ash Receivers Installation (Cont)

148-29	111168-2L	. . . Door Assembly L.H.		(L.H.)	1	All
-30	111168-2R	. . . Door Assembly R.H.		(R.H.)	1	All
-31	111200-4	. . Receiver Assembly - Cabin ash			2	All
-32	110463	. . Receiver Assembly - Cockpit control column ash			1	All
-33	111200-3	. . Receiver Assembly - Cabin ash			6	All

Radio Installation

149-	110206-1	. Radio Installation - Radio system #10			1	dd
	110270-1	. Radio Installation - Radio system #11			1	dc
-1	MN54A	. . Antenna - Fixed loop (Bendix Radio)			1	All
		ATTACHING PARTS				
-2	AN520-10-10	. . Screw			8	All
-3	MN36C	. . Loop - Automatic (Bendix Radio)			1	All
		ATTACHING PARTS				
-4	AN502-10-10	. . Screw			8	dd
	AN501A10-12	. . Screw			8	dc
-5	110214-1	. . Antennas Installation - Range and compass sense (See Fig. 151)			1	All
-6	110234-1	. . Antenna Installation - Marker beacon (See Fig. 152)			1	All
-7	110215-1	. . Antenna Installation - Two way			1	All
-8	110215-2	. . . Antenna Assembly			1	All
-9	38787-2 Insulator - Strain			2	All
-10	18-11-4B Sleeve - Nicro-press (National Telephone Supply Co.)			2	All
-11	NAF29720-6 Wire - Antenna (600 in.)			1	All
-12	AN100-3 Thimble			1	All
-13	NAF1086-5 Spring			1	All
-14	D71 Terminal (The Thomas & Betts Co.)			1	All
-15	110215-3	. . . Lead-in - Antenna			1	All
-16	31127 Terminal (Aircraft Marine Products, Inc.)			1	All
-17	F71 Terminal (The Thomas & Betts Co.)			1	All
-18	RG-8U Cable - Coaxial (53 in.)			1	All
-19	Comm. Tubing - Phenol laminated (5/16 LD. x 7/16 O.D. x 35 in.)			1	All
-20	31117 Terminal (Aircraft Marine Products, Inc.)			1	All
-21	F26 Terminal (The Thomas & Betts Co.)			1	All
-22	Comm. Plug Assembly - Rajah (Furnished with transmitter- receiver RTA-1B)			1	All
-23	NAF213257-1	. . . Insulator Assembly - Lead-in			1	All
-24	AN935-B416 Washer			2	All
-25	AN960B416 Washer			2	All
-26	67337	. . . Gasket - Lead-in insulator			1	All
-27	MT-42B	. . Microphone (Bendix Radio)			2	All
-27	110222	. . Holder Assembly - Microphone			2	All
-28	110240-1	. . Box Assembly - MS-18B pilot's jack			1	dd
	110240-3	. . Box Assembly - MS-18B pilot's jack			1	dc
-29	110240-2	. . Box Assembly - MS-18B copilot's jack			1	dd
	110240-4	. . Box Assembly - MS-18B copilot's jack			1	dc
-30	110253-1	. . Filter Assembly - MR 16C left range #1 (iap) (See Fig. 153)			1	dd

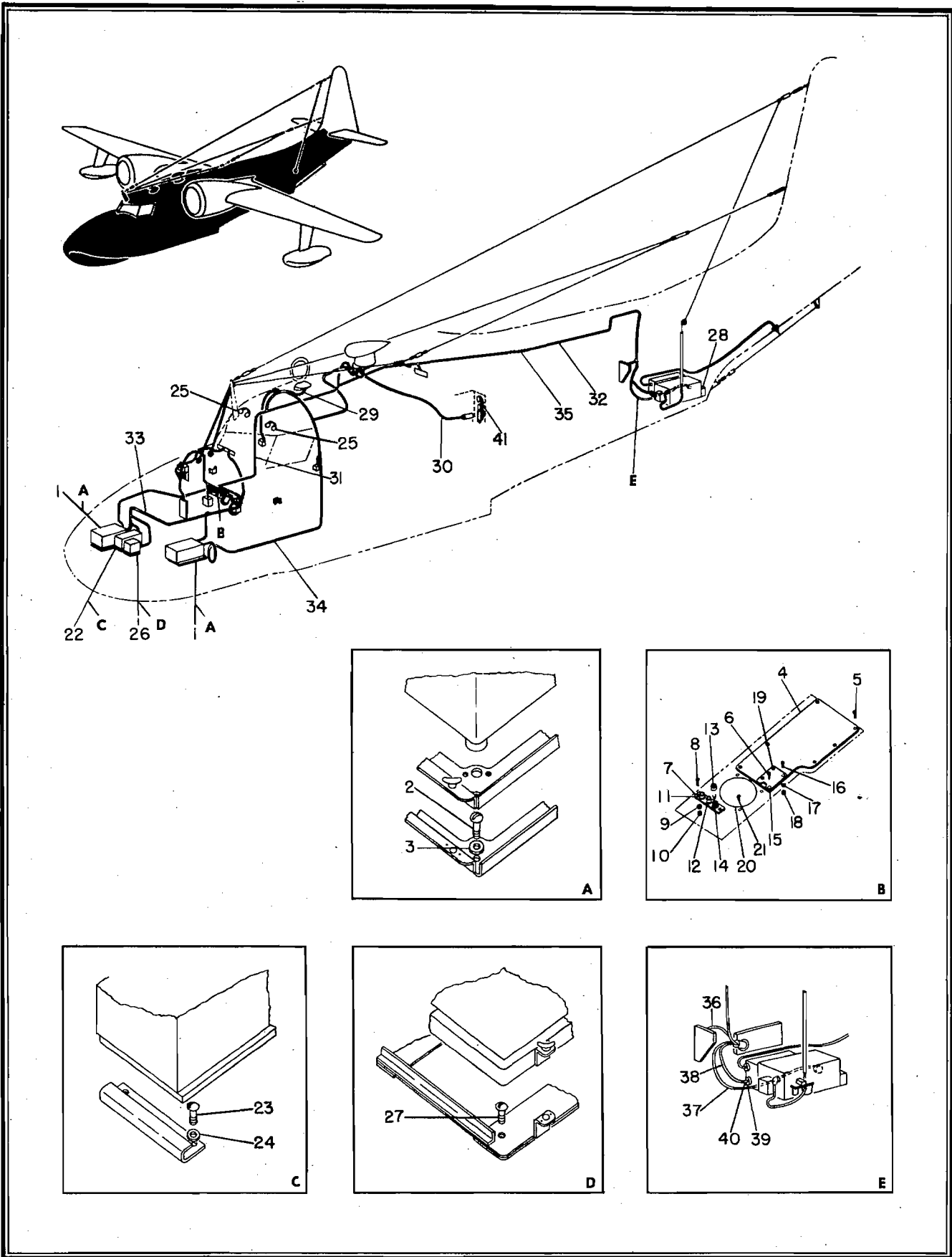


Figure 150—Radio Installation (See Fig. 149)



Section II
Group Assembly Parts List

Figure & Index No.	Part No.	Nomenclature 1 2 3 4 5 6 7	Units	Usage
			Per Assy	Code
HULL (Cont)				
Radio Installation (Cont)				
149-31	110254	. . Filter Assembly - MR 16C right range #2 (iap) (See Fig. 154)	1	dd
-32	110230-1	. . Panel Installation - Bow compartment (iap) (See Fig. 155)	1	dd
	110221-1	. . Panel Installation - Bow compartment (iap) (See Fig. 156)	1	dc
-33	110258-2	. . Cover - Bow compartment panel front (iap)	1	All
ATTACHING PARTS				
-34	AN515-6-8	. . . Screw	3	All
-35	AN960D6L	. . . Washer	3	All
-36	110258-3	. . Cover - Bow compartment panel side	1	All
-37	110229-1	. . Panel Installation - Baggage compartment relay and circuit breaker (iap) (See Fig. 157)	1	dd
	110229-2	. . Panel Installation - Baggage compartment relay and circuit breaker (iap) (See Fig. 157)	1	dc
-38	110218-1	. . Panel Installation - Main bow (iap) (See Fig. 158)	1	dc
-39	110219-1	. . Panel Installation - Stern (iap) (See Fig. 159)	1	dc
-40	110211-1	. . Panel Installation - Pilot audio control (See Fig. 160)	1	All
-40	110211-2	. . Panel Installation - Copilot audio control (See Fig. 161)	1	All
-41	110242-1	. . Linkage Assembly - ADF mechanical	1	All
-42	110242-2	. . Linkage Assembly - Range mechanical	1	All
-43	RTA-1B	. . Transmitter - Receiver (Bendix Radio)	1	All
-44	MT-68EG	. . Mount - Shock (Bendix Radio)	1	All
ATTACHING PARTS				
-45	AN3-7	. . Bolt	16	dd
-46	AN520-10-16	. . Screw	16	dc
-47	MN-53A	. . Receiver - Marker beacon (Bendix Radio)	1	All
-48	MR-64A	. . Mount - Shock (Bendix Radio)	1	All
ATTACHING PARTS				
-49	AN515-8-10	. . Screw	16	dd
	AN520-10-16	. . Screw	16	dc
150-1	MN-26K	. . Receiver - Range and ADF (Bendix Radio)	2	All
ATTACHING PARTS				
-2	AN520-10-10	. . Screw	8	All
-3	AN960D10L	. . Washer	8	dd
-4	MS-120A	. . Control - Function (Bendix Radio)	1	All
ATTACHING PARTS				
-5	G92-8	. . Screw	6	dd
	8-32x1/2	. . Screw - Round head, brass, black oxidized	6	dc
-6	G92-9	. . Screw	1	dd
	8-32x3/4	. . Screw - Round head, brass, black oxidized	1	dc
-7	110223-1	. . Indicator Installation - Marker (iap)	1	dd
ATTACHING PARTS				
-8	AN505-6-6	. . . Screw	2	dd
-9	AN960D6L	. . . Washer	2	dd
-10	AN365-632	. . . Nut	2	dd
-11	A120196-1	. . . Jewel - White	1	dd
-12	A120196-3	. . . Jewel - Amber	1	dd
-13	A120196-2	. . . Jewel - Purple	1	dd
-14	A9320-4	. . . Lamp (Bendix Radio)	3	dd

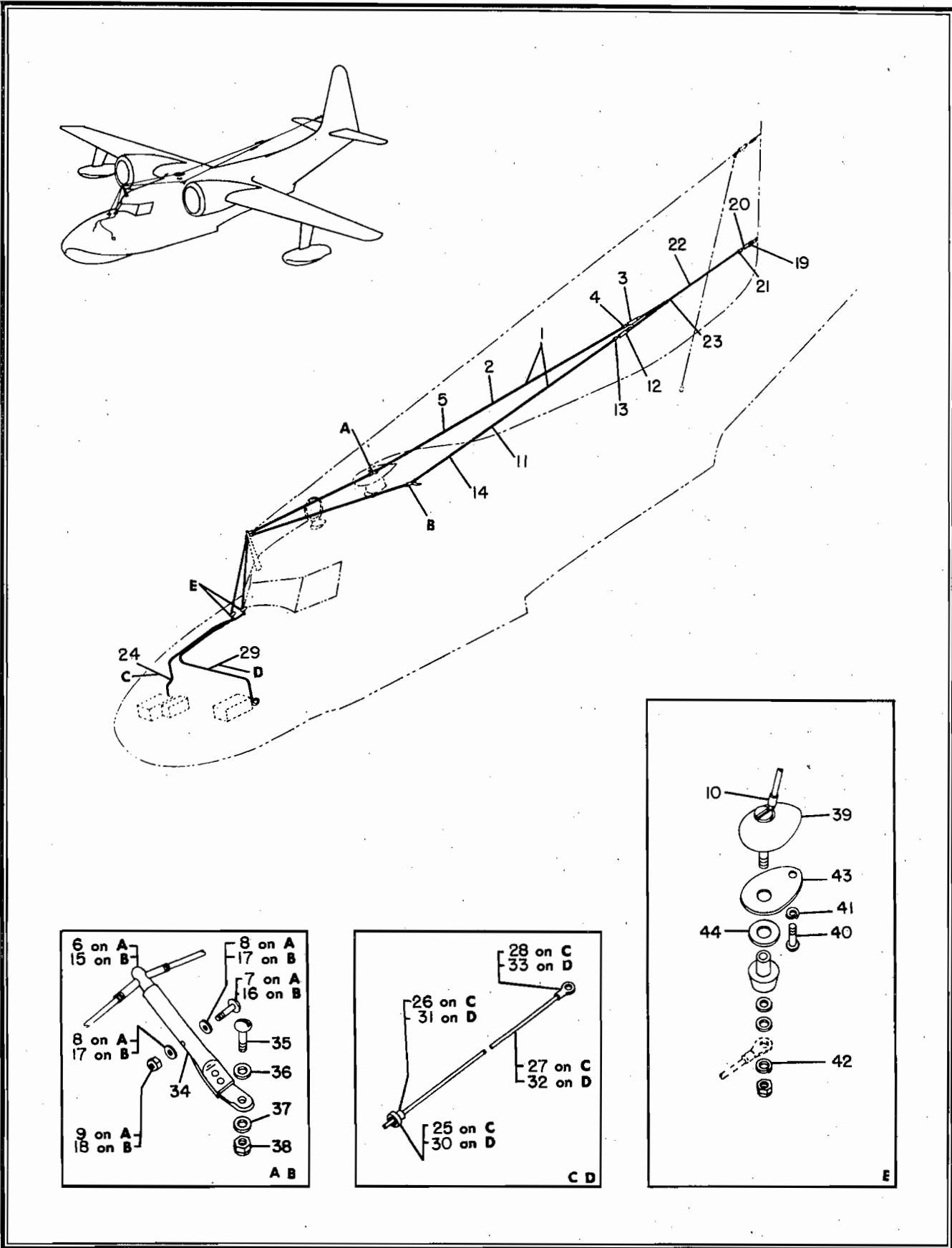


Figure 151—Range and Compass Sense Antennas Installation



Figure & Index No.	Part No.	Nomenclature 1 2 3 4 5 6 7	Units Per Assy	Usage Code
HULL (Cont)				
Radio Installation (Cont)				
150-15	110224-1	. . Holder Installation - Channel # card (iap)	1	All
ATTACHING PARTS				
-16	AN505-4-8	. . . Screw	3	All
-17	AN960D4L	. . . Washer	3	All
-18	AN365-440	. . . Nut	3	All
-19	110260	. . Card - Channel #	1	All
-20	MN-37B	. . Indicator - Compass (Bendix Radio)	1	All
ATTACHING PARTS				
-21	AN526-6-5	. . Screw	4	dd
	6-32x1/4	. . Screw - Round head, brass, black oxidized	4	dc
-22	MN-31C	. . Control - Automatic loop	1	All
ATTACHING PARTS				
-23	AN515-8-10	. . Screw	4	All
-24	AN960D8L	. . Washer	4	dd
-25	MR-8E	. . Headphones (Bendix Radio)	2	All
-26	MR-39B	. . Amplifier - Isolation (Bendix Radio)	1	dc
ATTACHING PARTS				
-27	AN520-10-10	. . Screw	4	dc
-28	MT-69A	. . Coil Assembly (Bendix Radio)	1	All
-28	MT-70A	. . Coil Assembly (Bendix Radio)	1	All
-28	MT-71A	. . Coil Assembly (Bendix Radio)	2	All
-28	MX-9EZ	. . Crystal and Holder (Bendix Radio)	1	All
-29	AC 63981-1	. . Cable - Loop transmitter (Bendix Radio)	2	All
-30	AC 57763-1	. . Dehydrator - Loop (Bendix Radio)	1	All
-31	110235	. . Cable Assembly - #5 (See Fig. 162)	1	dd
-32	110238-1	. . Cable Assembly - #2 (See Fig. 163)	1	dd
-33	110239-1	. . Cable Assembly - #1 (See Fig. 164)	1	dd
-34	110212-1	. . Cable Assembly - Bow (See Fig. 166)	1	dc
-35	110216-1	. . Cable Assembly - Trunk (See Fig. 165)	1	dc
-36	110213-2	. . Cable Sub-Assembly - Stern	1	dc
-37	110213-3	. . Cable Sub-Assembly - Stern	1	dc
-38	110213-4	. . Cable Sub-Assembly - Stern	1	dc
-39	SK-C16-21-5/8B	. . . Plug (Cannon Electric Development Co.)	1	dc
-40	G355-3	. . . Boot	1	dc
-41	110250-1	. Telephone Installation - Radio (See Fig. 167)	1	ab
-42	110275-1	. Coil Installation - Radio telephone load (See Fig. 168)	1	ab

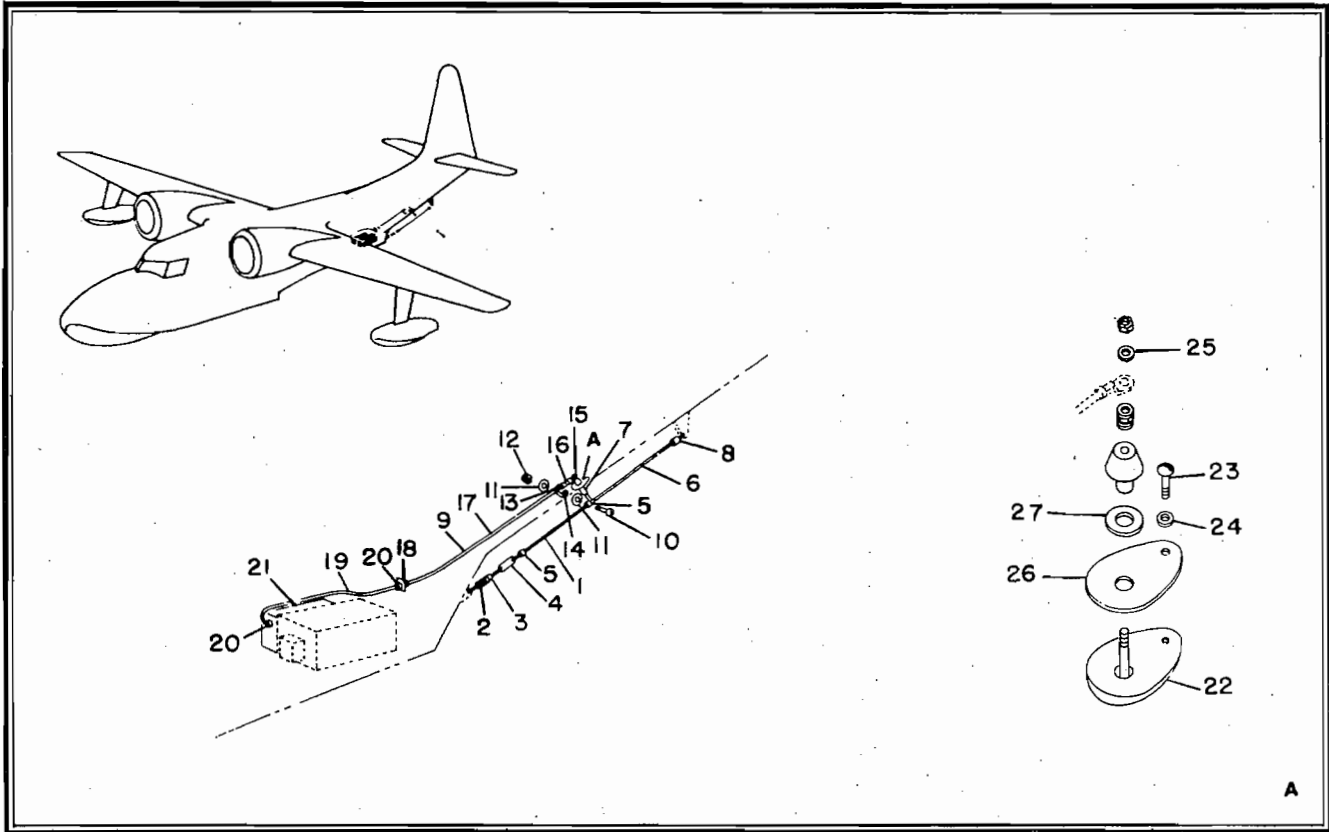


Figure 152—Marker Beacon Antenna Installation

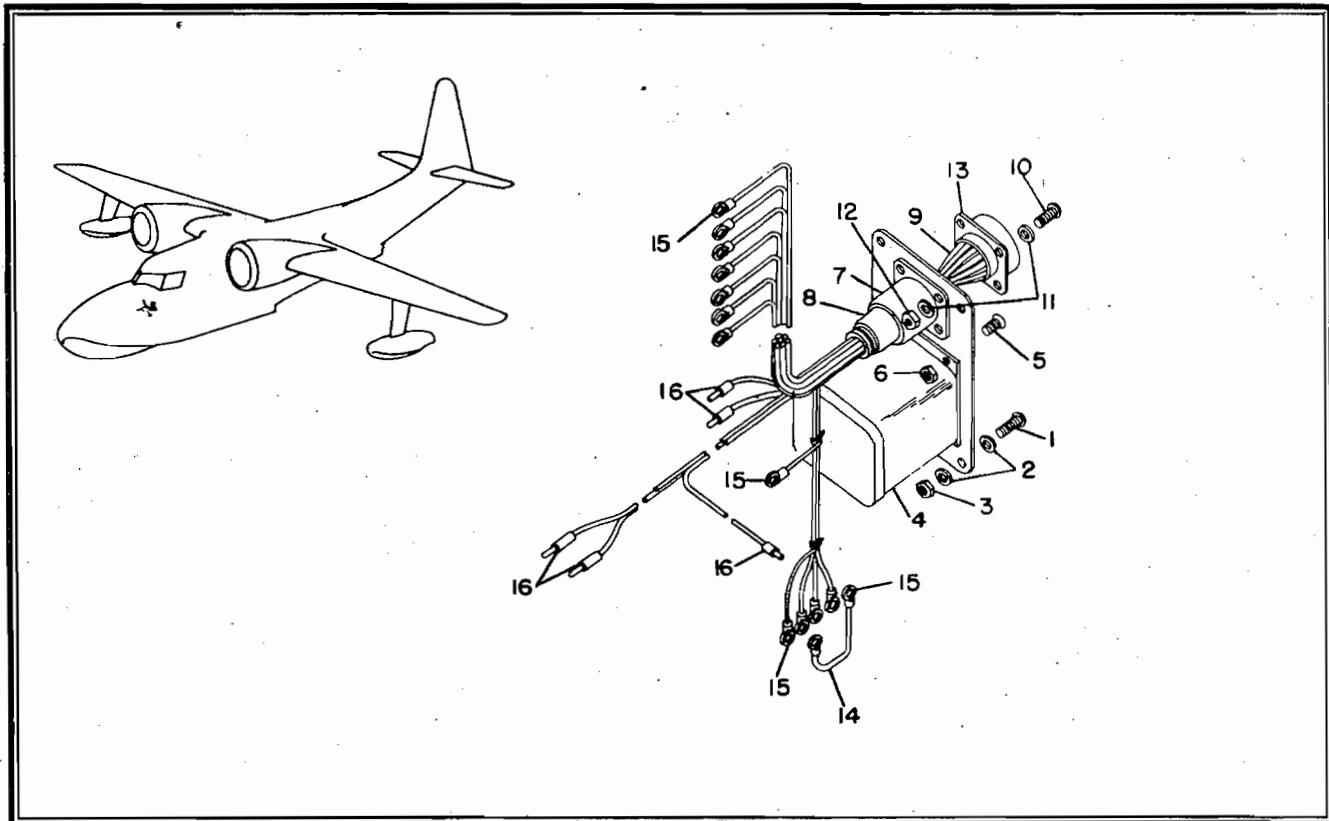


Figure 153—MR16C Left Range #1 Filter Installation



Figure & Index No.	Part No.	Nomenclature							Units Per Assy	Usage Code
		1	2	3	4	5	6	7		
HULL (Cont)										
Range and Compass Sense Antennas Installation										
151-	110214-1	. . .	Antennas Installation - Range and compass sense (See Fig. 149-5)						Ref	All
-1	110214-2	. . .	Antenna Assembly - Range and compass					1	All	
-2	110214-3	Antenna Assembly - Compass sense					1	All	
-3	NAF38787-2	Insulator - Strain					1	All	
-4	18-11-4B	Sleeve - Micro-press (National Telephone Supply Co.)					1	All	
-5	NAF29720-6	Wire - Antenna 386 in.					1	All	
-6	NAF38787-2	Insulator - Strain					1	All	
ATTACHING PARTS										
-7	AN515-6-14	Screw					1	All	
-8	AN960D6L	Washer					2	All	
-9	AN365-632	Nut					1	All	
-10	D71	Lug (The Thomas & Betts Co.)					1	All	
-11	110214-4	Antenna Assembly - Range					1	All	
-12	NAF38787-2	Insulator - Strain					1	All	
-13	18-11-4B	Sleeve - Micro-press (National Telephone Supply Co.)					1	All	
-14	NAF29720-6	Wire - Antenna 379 in.					1	All	
-15	NAF38787-2	Insulator - Strain					1	All	
ATTACHING PARTS										
-16	AN515-6-14	Screw					1	All	
-17	AN960D6L	Washer					2	All	
-18	AN365-632	Nut -					1	All	
-19	NAF1086-5	Spring - Tension					1	All	
-20	AN100-3	Thimble					1	All	
-21	18-10-4B	Sleeve - Micro-press (National Telephone Supply Co.)					1	All	
-22	NAF29720-2	Wire - Antenna 95 in.					1	All	
-23	18-10-4B	Sleeve - Micro-press (National Telephone Supply Co.)					1	All	
-24	110214-5	Lead-In - Range Antenna					1	All	
-25	P-101-1/4	Plug - Antenna (Peerless Radio Dist.) (Furnished with MN-26K receiver made by Bendix Radio)					1	All	
-26	Comm.	Tubing - Insulator (Transflex - .248 O.D. x .125 I.D. x 9/16)					1	All	
-27	NAF1070-AN14	Wire - 92 in.					1	All	
-28	31900	Terminal (Aircraft Marine Products, Inc.)					1	All	
-29	110214-6	Lead-In - Compass sense					1	All	
-30	P-101-1/4	Plug - Antenna (Peerless Radio Dist.) (Furnished with MN-26K receiver made by Bendix Radio)					1	All	
-31	Comm.	Tubing - Insulator (Transflex - .248 O.D. x .125 I.D. x 9/16)					1	All	
-32	NAF1070-AN14	Wire 88 in.					1	All	
-33	31900	Terminal (Aircraft Marine Products, Inc.)					1	All	
-34	110259-1	Holder Assembly - Antenna insulator (iap)					2	All	
ATTACHING PARTS										
-35	AN23-12A	Bolt					1	All	
-36	AN960D10L	Washer					1	All	
-37	AN960D10	Washer					1	All	
-38	AN365-1032	Nut					1	All	
-39	21869	Insulator - Lead-In (Isolantite, Inc.)					2	All	
ATTACHING PARTS										
-40	AN515-8-7	Screw					1	All	

Section II
Group Assembly Parts List



Figure & Index No.	Part No.	Nomenclature	Units Per Assy	Usage Code
		1 2 3 4 5 6 7		

HULL (Cont)

Range and Compass Sense Antennas Installation (Cont)

151-41	AN935-8	. . . Washer	1	All
-42	AN935-10	. . . Washer	1	All
-43	28134-1	. . . Gasket - Lead-In insulator	1	All
-44	28134-2	. . . Gasket - Lead-In insulator	1	All

Marker Beacon Antenna Installation

152-	110234-1	. . Antenna Installation - Marker beacon (See Fig. 149-6)	Ref	All
-1	110234-2	. . . Antenna Assembly - Marker beacon	1	All
-2	NAF1086-4 Spring - Antenna tension	1	All
-3	AN100-3 Thimble	1	All
-4	NAF38787-2 Insulation - Strain	1	All
-5	18-11-4B Sleeve - Micro-press (National Telephone Supply Co.)	2	All
-6	NAF29720-6 Wire - Antenna 110 in.	1	All
-7	D71 Terminal (Thomas & Betts Co.)	1	All
-8	18-11-4B	. . . Sleeve - Micro-press (National Telephone Supply Co.)	1	All
-9	110234-4	. . . Cable - Insulator to Sta. 428 coaxial (iap)	1	All

ATTACHING PARTS

-10	AN515-6-6 Screw	1	All
-11	AN960D6L Washer	2	All
-12	AN365-632 Nut	1	All
-13	NAF1070AN16 Wire 6 in.	1	All
-14	31900 Terminal (Aircraft Marine Products, Inc.)	1	All
-15	45YAG14G19 Lug - Wire (Burdny Engineering Co.)	1	All
-16	YPV25-2 Ferrule (Burdny Engineering Co.)	2	All
-17	RG-8/U Cable - Coaxial 79 1/2 in.	1	All
-18	NT49194 Receptacle (U.S. Navy type)	1	All
	NT49193 Hood (U.S. Navy type)	1	All
-19	110234-3	. . . Cable - Sta. 428 to receiver coaxial	1	All
-20	NT49190 Plug (U.S. Navy type) (Furnished with receiver)	2	All
-21	RG-8/U Cable - Coaxial 35 1/2 in.	1	All
-22	21869	. . . Insulator - Lead-In (Isolantite, Inc.)	1	All

ATTACHING PARTS

-23	AN515-8-7	. . . Screw	1	All
-24	AN935-8	. . . Washer	1	All
-25	AN935-10	. . . Washer	1	All
-26	28134-1	. . . Gasket - Insulator	1	All
-27	28134-2	. . . Gasket - Insulator	1	All



Figure &
Index No.

Part No.

Nomenclature
1 2 3 4 5 6 7

Units Usage
Per Assy Code

HULL (Cont)

MR16C Left Range #1 Filter Installation

153-	110253-1	. . . Filter Assembly - MR16C left range #1 (iap) (See Fig. 149-30)		(Ref)	dd
		ATTACHING PARTS			
-1	AN515-8-8	. . . Screw	4		dd
-2	AN960D8L	. . . Washer	8		dd
-3	AN365-832	. . . Nut	4		dd
-4	MR16C	. . . Filter - Range (Bendix Radio)	1		dd
		ATTACHING PARTS			
-5	AN505-6-5	. . . Screw	2		dd
-6	AN365-632	. . . Nut	2		dd
-7	SKCL-5/8B	. . . Shell - Junction (Cannon Electric Development Co.) (Supplied with MS-121A)	1		dd
-8	G355-3	. . . Boot	1		dd
-9	110237-1	. . . Cable Assembly - #3 (iap)	1		dd
		ATTACHING PARTS			
-10	AN515-4-7 Screw	4		dd
-11	AN960D4L Washer	8		dd
-12	AN365-440 Nut	4		dd
-13	SK-C16-32S Receptacle (Cannon Electric Development Co.) (Supplied with MS-121A)	1		dd
-14	110237-2 Jumper - Ground	1		dd
-15	31889 Terminal (Aircraft Marine Products, Inc.)	14		dd
-16	AN753A1 Tip - Splice	5		dd

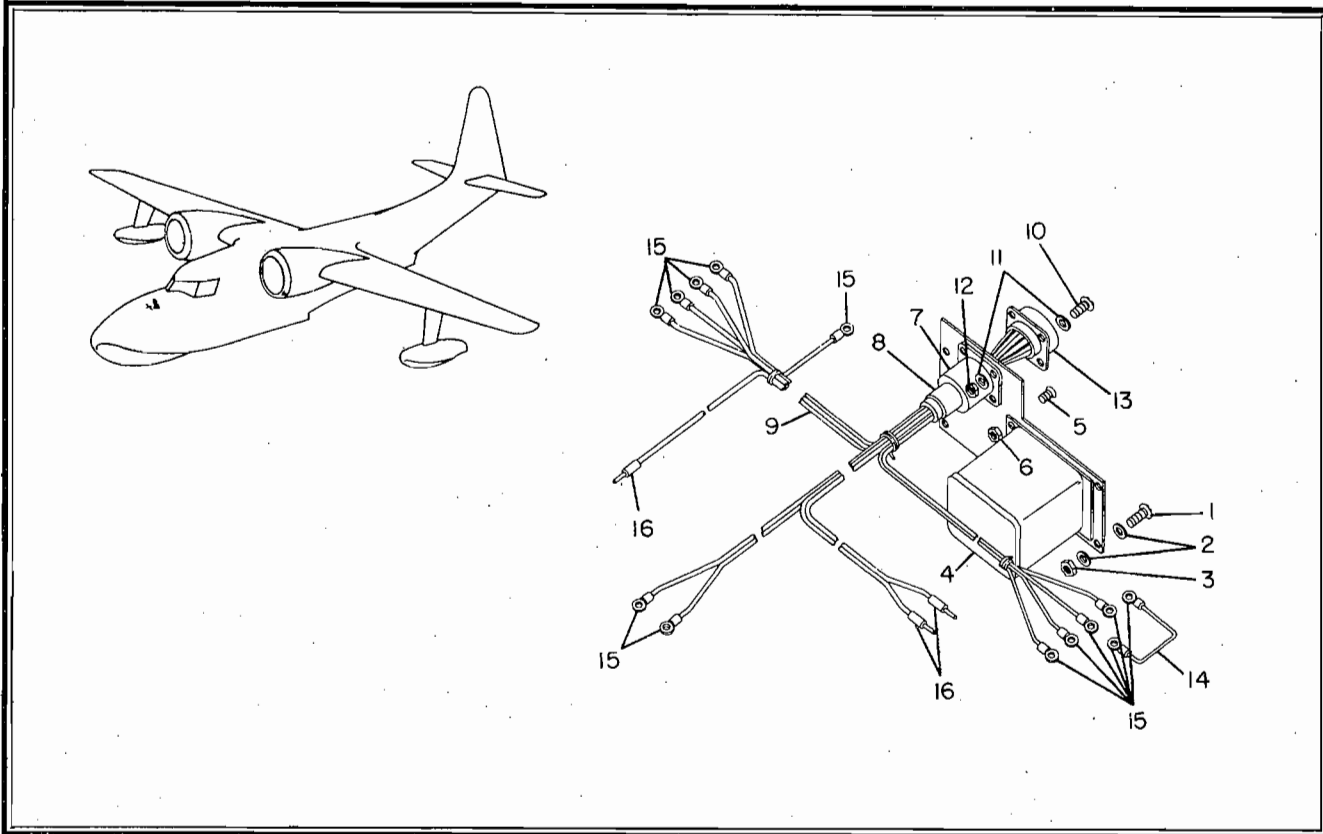


Figure 154—MR16C Right Range #2 Filter Installation

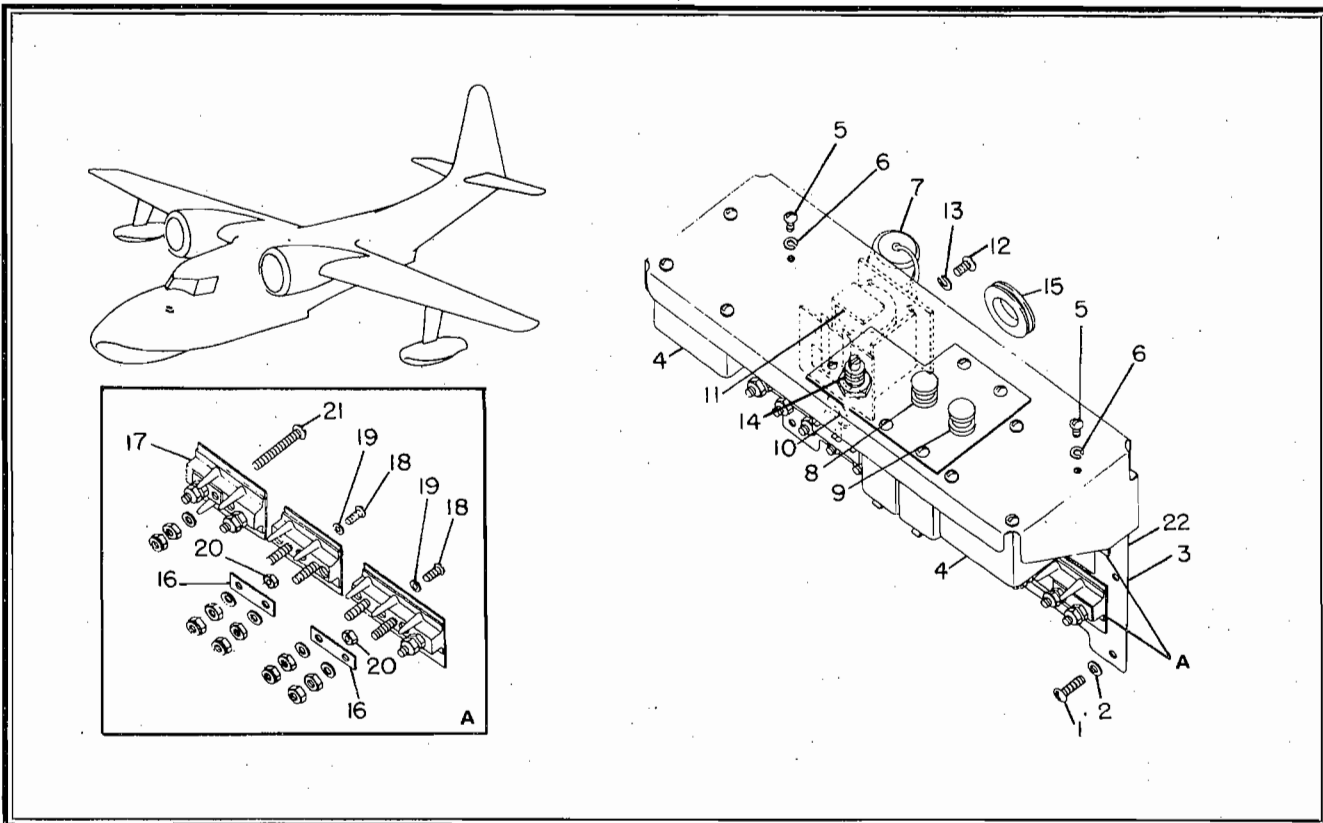


Figure 155—Bow Compartment Panel Installation (See Fig. 156)



Figure &
Index No.

Part No.

Nomenclature
1 2 3 4 5 6 7

Units Usage
Per Assy Code

HULL (Cont)

MR16C Right Range #2 Filter Installation

154-	110254	. . . Filter Assembly - MR16C right range #2 (iap) (See Fig. 149-3)	(Ref)	dd
		ATTACHING PARTS		
-1	AN515-8-8 Screw	4	dd
-2	AN960D8L Washer	8	dd
-3	AN365-832 Nut	4	dd
-4	MR16C Filter - Range (Bendix Radio)	1	dd
		ATTACHING PARTS		
-5	AN505-6-5 Screw	2	dd
-6	AN365-632 Nut	2	dd
-7	SKCL-5/8B Shell - Junction (Cannon Electric Development Co.)	1	dd
-8	G355-3 Boot	1	dd
-9	110236-1 Cable Assembly - #4 (iap)	1	dd
		ATTACHING PARTS		
-10	AN515-4-7 Screw	4	dd
-11	AN960D4L Washer	8	dd
-12	AN365-440 Nut	4	dd
-13	SK-C16-32S Receptacle (Cannon Electric Development Co.) (Supplied with MS-131A)	1	dd
-14	110236-2 Jumper - Ground	1	dd
-15	31889 Terminal (Aircraft Marine Products, Inc.)	13	dd
-16	AN753A1 Tip - Splice	3	dd

Bow Compartment Panel Installation

155-	110230-1	. . . Panel Installation - Bow compartment (iap) (See Fig. 149-32)	Ref	dd
		ATTACHING PARTS		
-1	AN515-6-8 Screw	6	dd
-2	AN960D6L Washer	6	dd
-3	110230-2 Panel Assembly - Radio	1	dd
-4	MR-35A Transformer - Audio (Bendix Radio)	2	dd
		ATTACHING PARTS		
-5	AN515-6-4 Screw	8	dd
-6	AN935-6 Washer	8	dd
-7	A-27988 Condenser (Aerovox) (Furnished with MN-31C equipment made by Bendix Radio)	1	dd
-8	DC6751-1-20 Breaker - Circuit (Spencer Thermostat Co.)	1	dd
-9	DC6751-1-10 Breaker - Circuit (Spencer Thermostat Co.)	1	dd
-10	A-102975-561 Resistor - Fixed (Bendix Radio)	2	dd
-11	CR-2791-B109F3 Relay - D.P.S.T. (General Electric Co.)	1	dd
		ATTACHING PARTS		
-12	AN515-6-4 Screw	4	dd
-13	AN935-6 Washer	4	dd
-14	A108885 Potentiometer (Bendix Radio)	1	dd

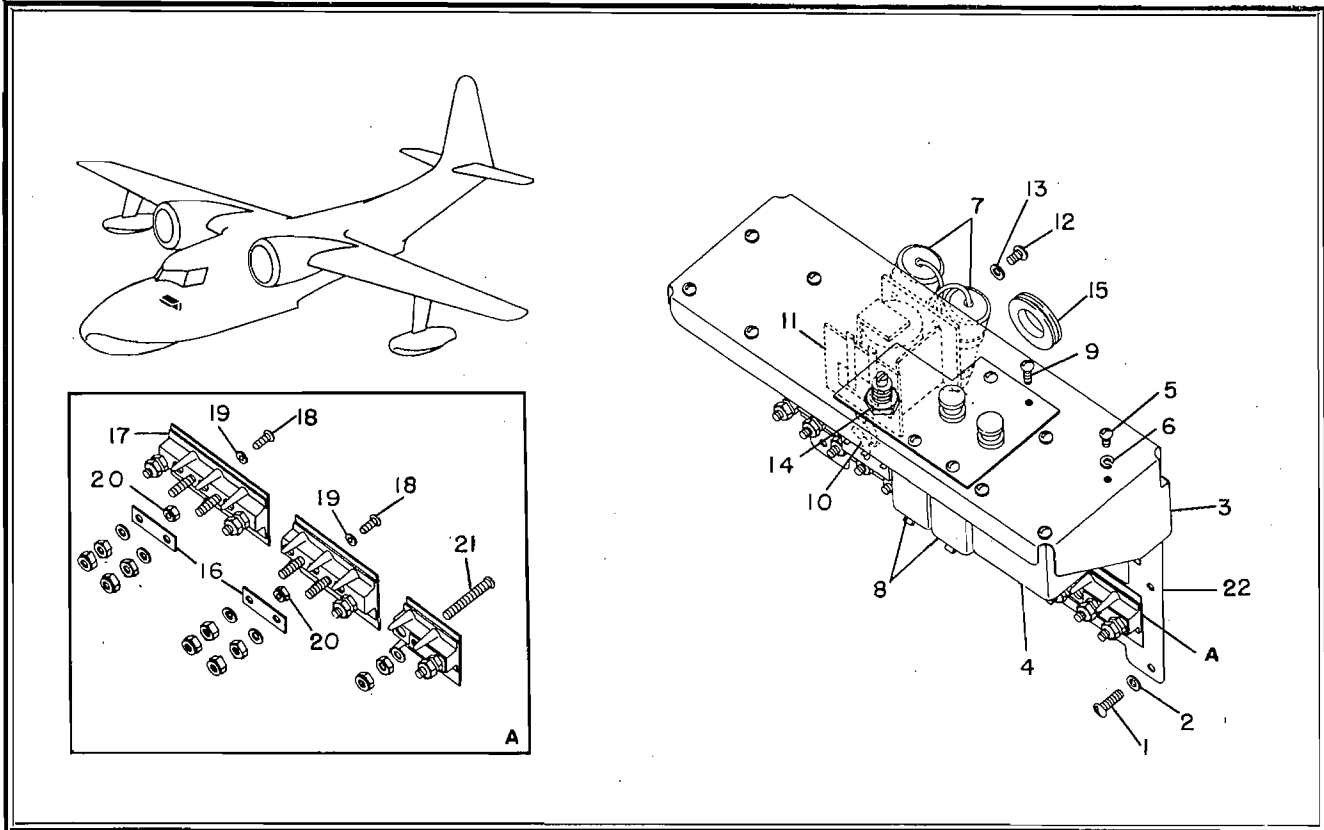


Figure 156—Bow Compartment Panel Installation (See Fig. 155)

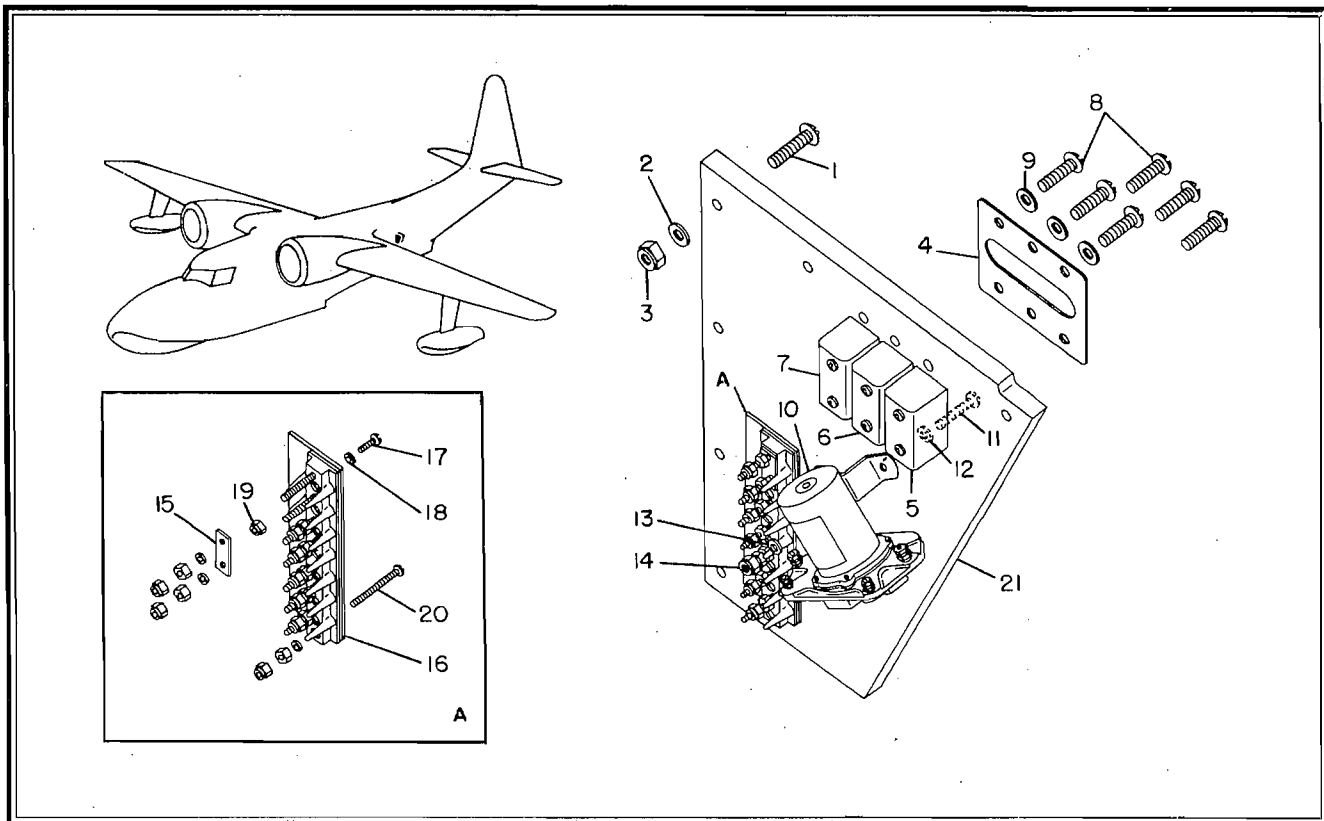


Figure 157—Baggage Compartment Relay and Circuit Breaker Panel Installation



Section II
Group Assembly Parts List

Figure & Index No.	Part No.	Nomenclature							Units Per Assy	Usage Code
		1	2	3	4	5	6	7		
HULL (Cont)										
Bow Compartment Panel Installation (Cont)										
155-15	AN931-9-13	Grommet						1	dd
-16	G158-2-6	Strip - Insulating						4	dd
-17	G159-6-16	Panel Assembly - Connector (iap)						2	dd
ATTACHING PARTS										
-18	AN515-4-5	Screw						2	dd
-19	AN960D4L	Washer						2	dd
-20	AN365-440	Nut						2	dd
-21	AN515-6-16	Screw - Ground (Replaces G157-6-12 screw supplied with index no. 18)						1	dd
-22	110225-1	Panel Assembly						1	dd
156-	110221-1	Panel Installation - Bow compartment (iap) (See Fig. 149-32)						Ref	dc
-1	AN515-6-8	Screw						6	dc
-2	AN960D6L	Washer						6	dc
-3	110221-2	Panel Assembly - Radio						1	dc
-4	MR-35A	Transformer - Audio (Bendix Aviation Corp.)						1	dc
ATTACHING PARTS										
-5	AN515-6-4	Screw						4	dc
-6	AN935-6	Washer						4	dc
-7	27988	Condenser (Peerless Radio Distributors) (One piece furnished with MN31C equipment)						2	dc
-8	D6751-1-10	Breaker - Circuit (Spencer Thermostat Co.)						2	dc
ATTACHING PARTS										
-9	AN515-6-8	Screw						4	dc
-10	A-102975-561	Resistor - Fixed (Bendix Aviation Corp.)						2	dc
-11	CR-2791-B100F3	Relay - D.P.S.T. (General Electric Co.)						1	dc
ATTACHING PARTS										
-12	AN515-6-4	Screw						4	dc
-13	AN935-6	Washer						4	dc
-14	A-108885	Potentiometer (Bendix Aviation Corp.)						1	dc
-15	AN931-9-13	Grommet						1	dc
-16	G158-2-6	Strip - Insulating						4	dc
-17	G159-B13-12	Panel - Connector (iap)						2	dc
ATTACHING PARTS										
-18	AN515-4-6	Screw						2	dc
-19	AN960D4L	Washer						2	dc
-20	AN365-440	Nut						2	dc
-21	AN515-6-12	Screw - Ground (Replaces G157-6-12 screw supplied with item 18)						1	dc
-22	110225-1	Panel Assembly						1	dc

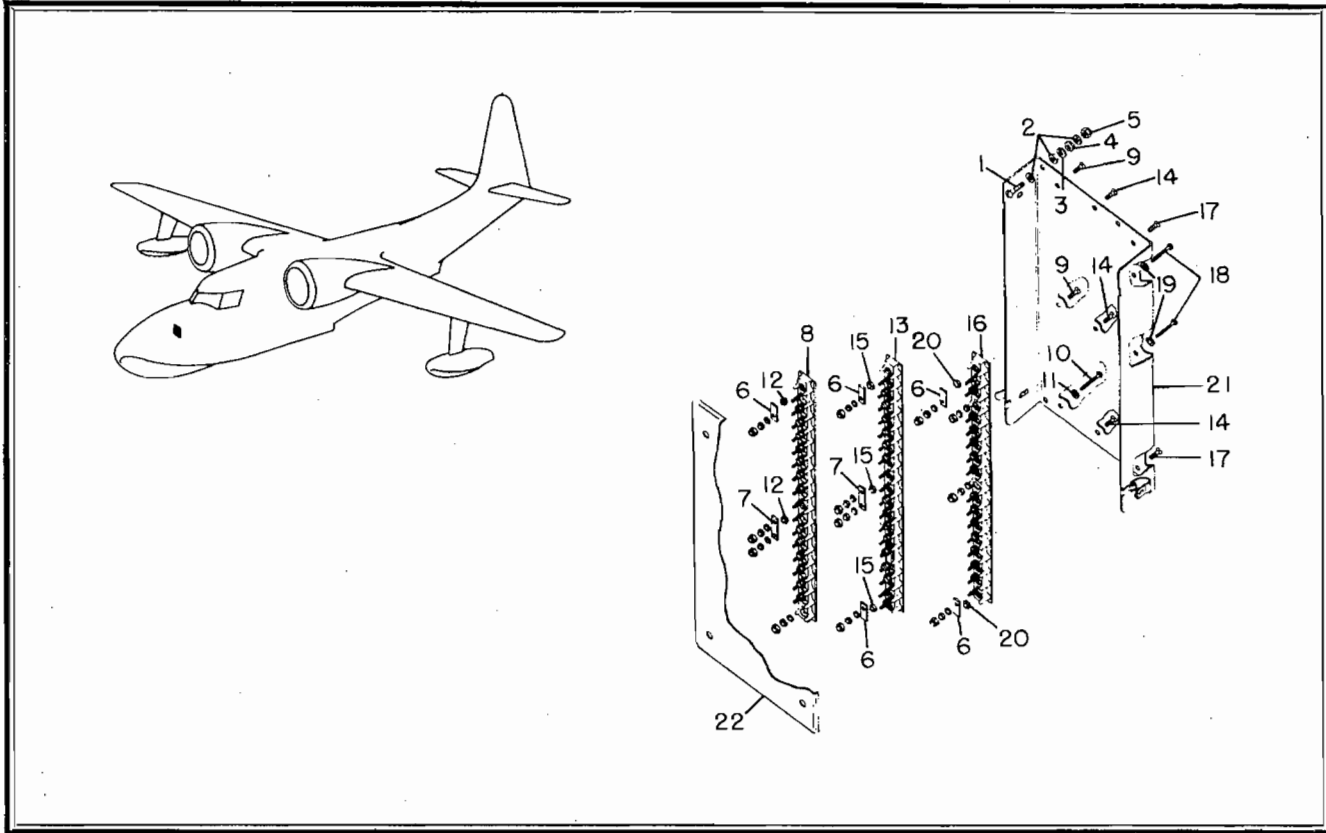


Figure 158—Main Bow Panel Installation

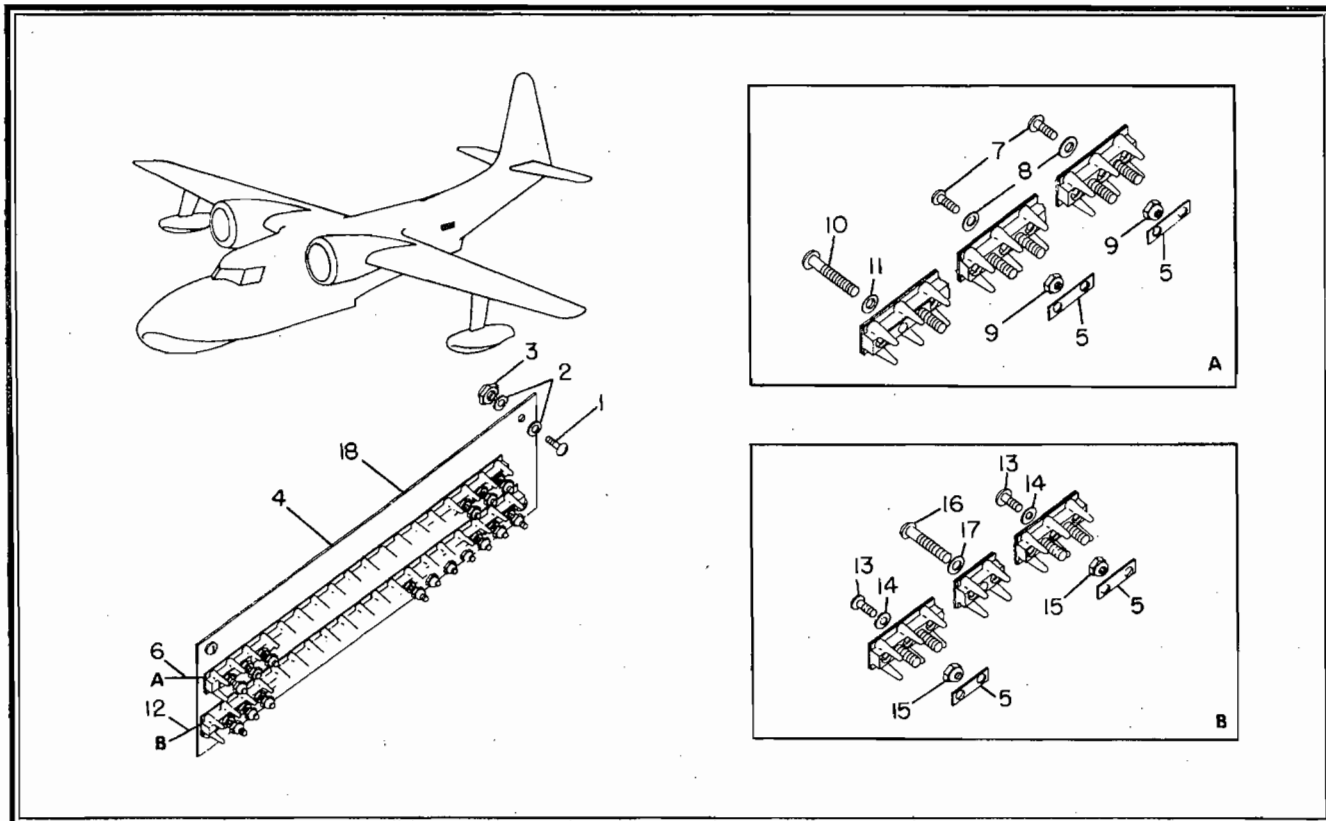


Figure 159—Stern Panel Installation



Figure & Index No.	Part No.	Nomenclature 1 2 3 4 5 6 7	Units Per Assy	Usage Code
-----------------------	----------	-------------------------------	-------------------	---------------

HULL (Cont)

Baggage Compartment Relay and Circuit Breaker Panel Installation

157-	110229-1	. . . Panel Installation - Baggage compartment and circuit breaker (iap) (See Fig. 149-37)	Ref	dd
	110229-2	. . . Panel Installation - Baggage compartment and circuit breaker (iap) (See Fig. 149-37)	Ref	dc
ATTACHING PARTS				
-1	AN526-1032-14	. . . Screw	4	All
-2	AN960D10	. . . Washer	4	All
-3	AN365-1032	. . . Nut	4	All
-4	110231-1	. . . Nameplate	1	dd
	110268-1	. . . Nameplate	1	dc
-5	D6751-1-25	. . . Breaker - Circuit (Spencer Thermostat Co.)	1	All
-6	D6751-1-10	. . . Breaker - Circuit (Spencer Thermostat Co.)	1	All
-7	D6751-1-5	. . . Breaker - Circuit (Spencer Thermostat Co.)	1	All
ATTACHING PARTS FOR INDEX NOS. 5, 6 AND 7				
-8	AN515-6-12	. . . Screw	6	All
-9	AN960-6	. . . Washer	3	All
-10	Type B-5B	. . . Relay (Leach Relay Co., Inc.) or 65180 (Bendix Radio)	1	All
ATTACHING PARTS				
-11	AN515-8-12	. . . Screw	2	All
-12	AN960-8	. . . Washer	2	All
-13	AN960D8L	. . . Washer	2	All
-14	AN365-832	. . . Nut	2	All
-15	G158-2-6	. . . Strip - Insulating	1	All
-16	G159-B8-12	. . . Panel - Connector (iap)	1	All
ATTACHING PARTS				
-17	AN515-4-12 Screw	1	All
-18	AN960D4L Washer	1	All
-19	AN365-440 Nut	1	All
-20	AN515-6-18 Screw - Ground (Replaces G157-6-12 screw furnished with index no. 16)	1	All
-21	107371-5	. . . Panel	1	All

Main Bow Panel Installation

158-	110218-1	. . . Panel Installation - Main bow (See Fig. 149-38)	Ref	dc
ATTACHING PARTS				
-1	AN515-8-7	. . . Screw	4	dc
-2	AN960D8L	. . . Washer	12	dc
-3	AN935-8	. . . Washer	4	dc
-4	AN340-8	. . . Nut	4	dc
-5	AN365-832	. . . Nut	4	dc
-6	G158-1-6	. . . Strip - Insulating	5	dc
-7	G158-2-6	. . . Strip - Insulating	2	dc
-8	G159-A17-12	. . . Panel - Connector (iap)	1	dc
ATTACHING PARTS				
-9	AN505-4-5 Screw	2	dc

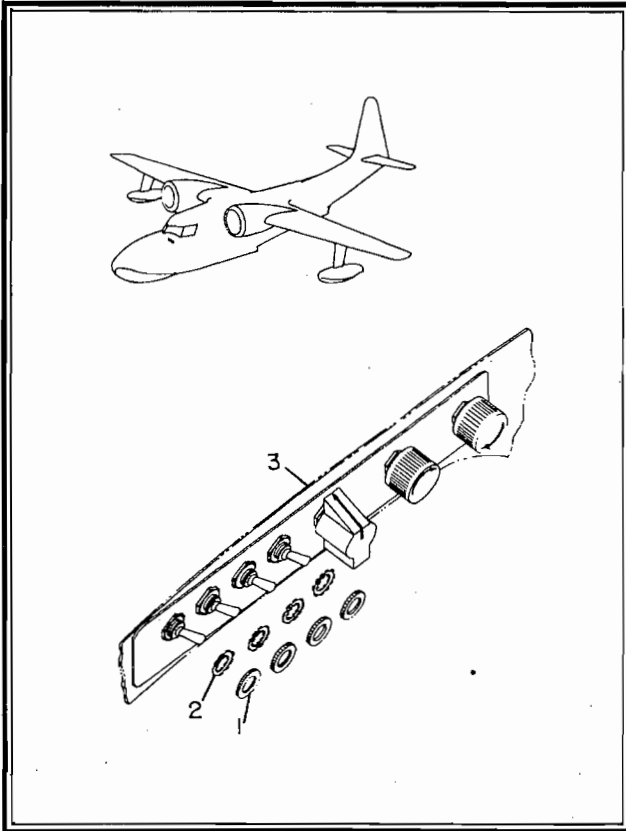


Figure 160—Pilot Audio
Control Panel Installation

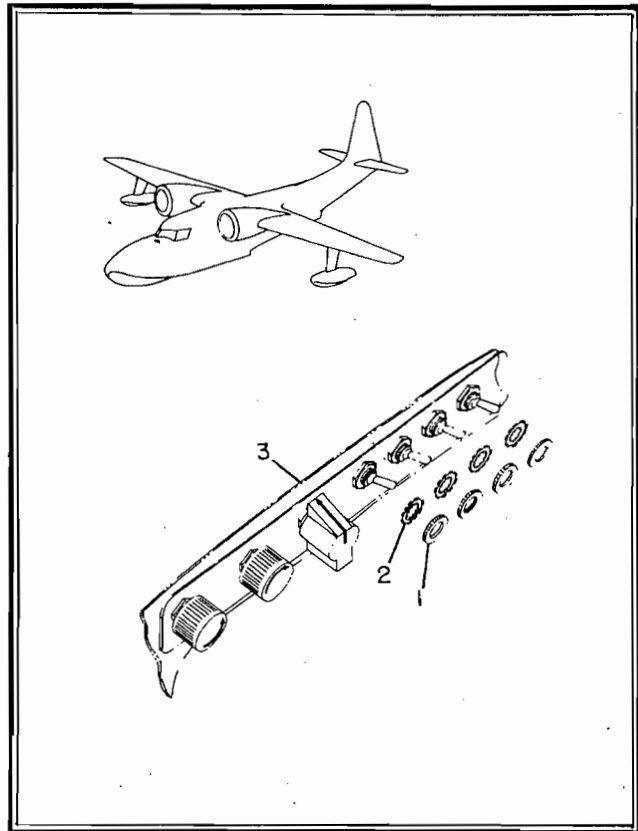


Figure 161—Copilot Audio
Control Panel Installation

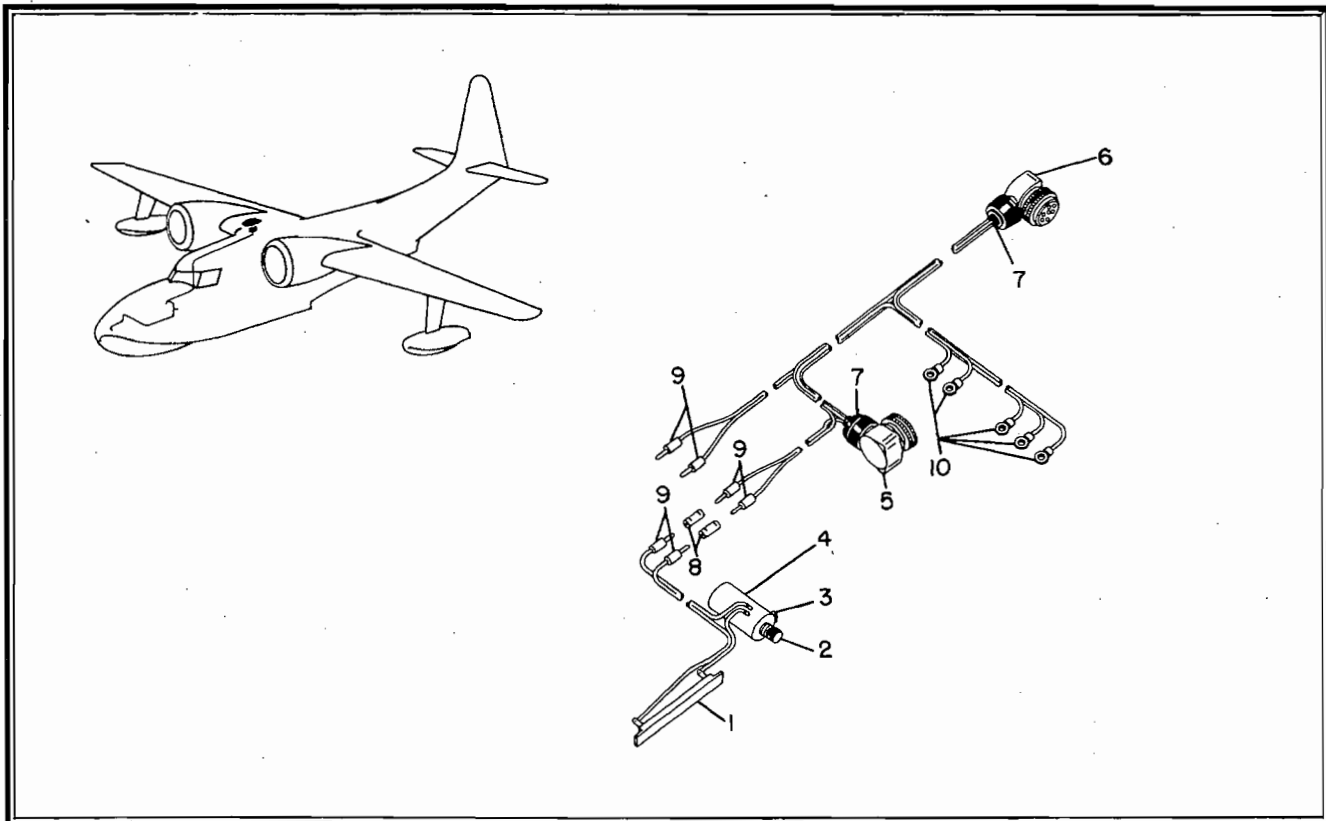


Figure 162—Radio #5 Cable Assembly



Section II
Group Assembly Parts List

Figure & Index No.	Part No.	Nomenclature 1 2 3 4 5 6 7	Units Per Assy	Usage Code
HULL (Cont)				
Main Bow Panel Installation (Cont)				
158-10	AN515-6-14 Screw - Ground (Replaces G157-6-12 screw supplied with index no. 9)	1	dc
-11	AN960D6L Washer	1	dc
-12	AN365-440 Nut	2	dc
-13	G159-A18-12 Panel - Connector (iap)	1	dc
ATTACHING PARTS				
-14	AN505-4-5 Screw	3	dc
-15	AN365-440 Nut	3	dc
-16	G159-A17-12 Panel - Connector (iap)	1	dc
ATTACHING PARTS				
-17	AN505-4-5 Screw	2	dc
-18	AN515-6-14 Screw - Ground (Replaces G157-6-12 screw supplied with index no. 16)	2	dc
-19	AN960D6L Washer	2	dc
-20	AN365-440 Nut	2	dc
	110217 Box Assembly	1	dc
-21	110217-2 Channel Assembly	1	dc
-22	110217-3 Cover	1	dc
Stern Panel Installation				
159-	110219-1 Panel Installation - Stern (iap) (See Fig. 149-39)	Ref	dc
ATTACHING PARTS				
-1	AN515-8-8 Screw	4	dc
-2	AN960D8L Washer	8	dc
-3	AN365-832 Nut	4	dc
-4	110219-2 Panel Assembly	1	dc
-5	G158-2-6 Strip - Insulating	4	dc
-6	G159-A12-17 Panel - Connector (iap)	1	dc
ATTACHING PARTS				
-7	AN515-4-6 Screw	2	dc
-8	AN960D4L Washer	2	dc
-9	AN365-440 Nut	2	dc
-10	AN515-6-16 Screw - Ground (Replaces G157-6-17 screw supplied with index no. 7)	1	dc
-11	AN960D6L Washer	1	dc
-12	G159-A12-18 Panel - Connector (iap)	1	dc
ATTACHING PARTS				
-13	AN515-4-6 Screw	2	dc
-14	AN960D4L Washer	2	dc
-15	AN365-440 Nut	2	dc
-16	AN515-6-16 Screw - Ground (Replaces G157-6-18 screw supplied with index no. 12)	1	dc
-17	AN960D6L Washer	1	dc
-18	110219-3 Plate	1	dc

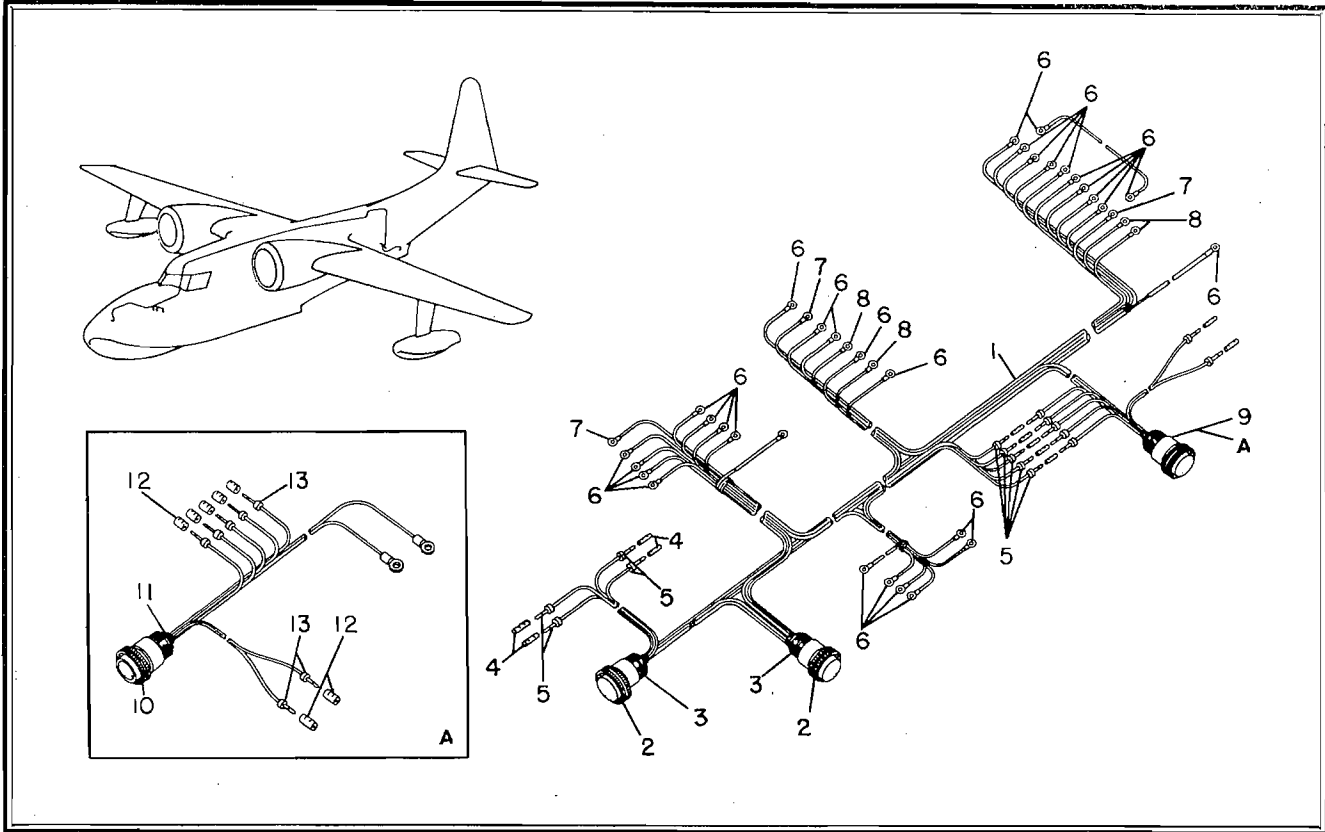


Figure 163—Radio #2 Cable Assembly

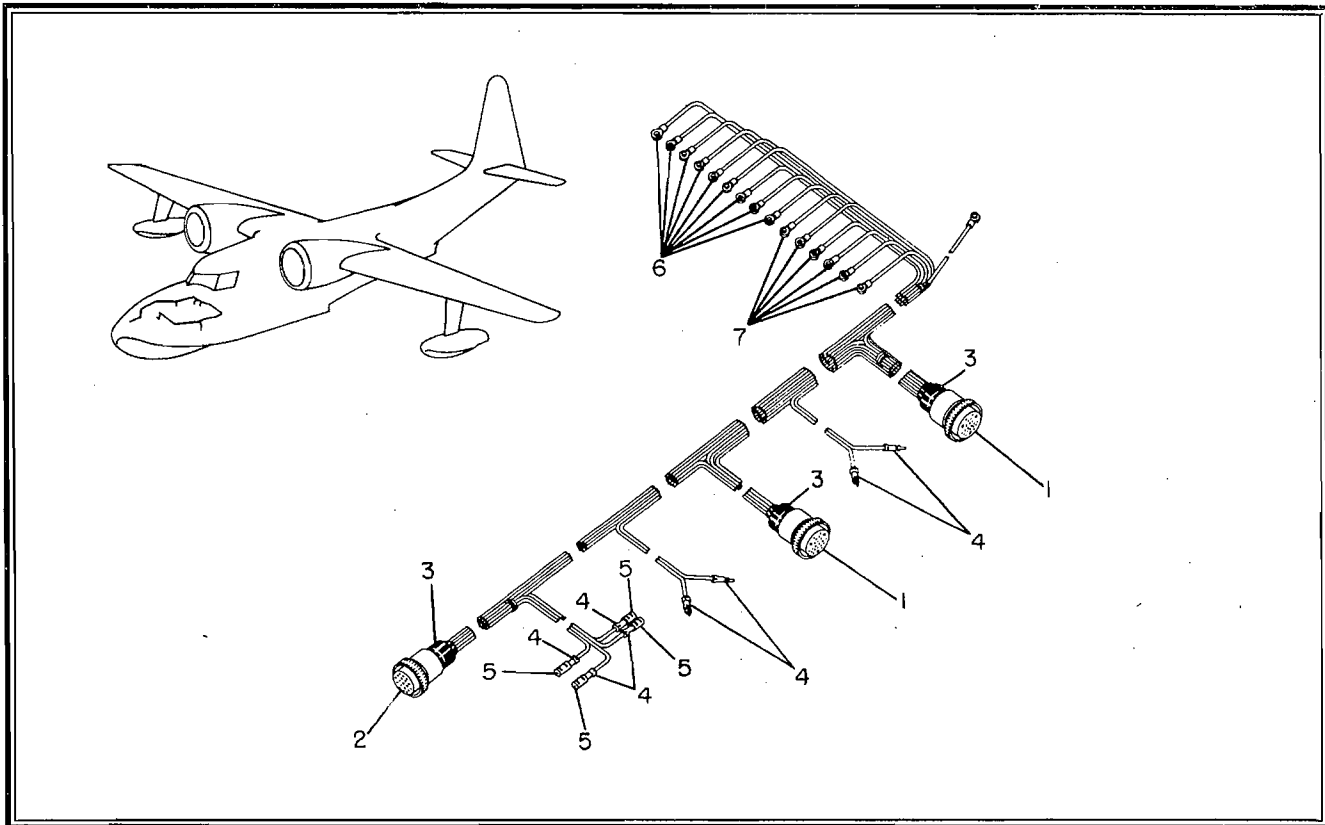


Figure 164—Radio #1 Cable Assembly



Section II
Group Assembly Parts List

Figure & Index No.	Part No.	Nomenclature 1 2 3 4 5 6 7	Units Per Assy	Usage Code
HULL (Cont)				
Pilot Audio Control Panel Installation				
160-	110211-1	. . . Panel Installation - Pilot audio control (See Fig. 149-40)	Ref	All
-1	Comm.	. . . Lock nut - Knurled circular nickel plated brass 9/16 in. O.D. x 15/32 I.D. x 3/32 in. thick, 32 threads per in.	4	All
-2	16-886	. . . Lock washer - Star (Cutler-Hammer, Inc.)	4	All
-3	MS-121A	. . . Control (Bendix Radio)	1	All
Copilot Audio Control Panel Installation				
161-	110211-2	. . . Panel Installation - Copilot audio control (See Fig. 149-40)	Ref	All
-1	Comm.	. . . Lock nut - Knurled circular nickel plated brass 9/16 in. O.D. x 15/32 in. I.D. x 3/32 in. thick, 32 threads per in.	4	All
-2	16-886	. . . Lock washer - Star (Cutler-Hammer, Inc.)	4	All
-3	MS-131A	. . . Control (Bendix Radio)	1	All
Radio #5 Cable Assembly				
162-	110235	. . . Cable Assembly - Radio #5 (See Fig. 150-31)	Ref	dd
-1	A100517	. . . Resistor (Bendix Radio) (Furnished with MN-37B indicator)	1	dd
-2	A100667	. . . Knob - Potentiometer (Bendix Radio)	1	dd
ATTACHING PARTS				
-3	A140-2	. . . Screw - Set (Bendix Radio)	1	dd
-4	A29734-1	. . . Potentiometer (Bendix Radio)	1	dd
-5	WK-6-23-3/8B	. . . Plug - 90° (Cannon Electric Development Co.) or A30085 (Bendix Radio)	1	dd
-6	GK-C8-23-1/2B	. . . Plug - 90° (Cannon Electric Development Co.) or A30901 (Bendix Radio)	1	dd
-7	G355-2	. . . Boot	2	dd
-8	AN753B1	. . . Coupler - Splice	2	dd
-9	AN753A1	. . . Tip - Splice	6	dd
-10	31889	. . . Terminal (Aircraft Marine Products, Inc.)	5	dd

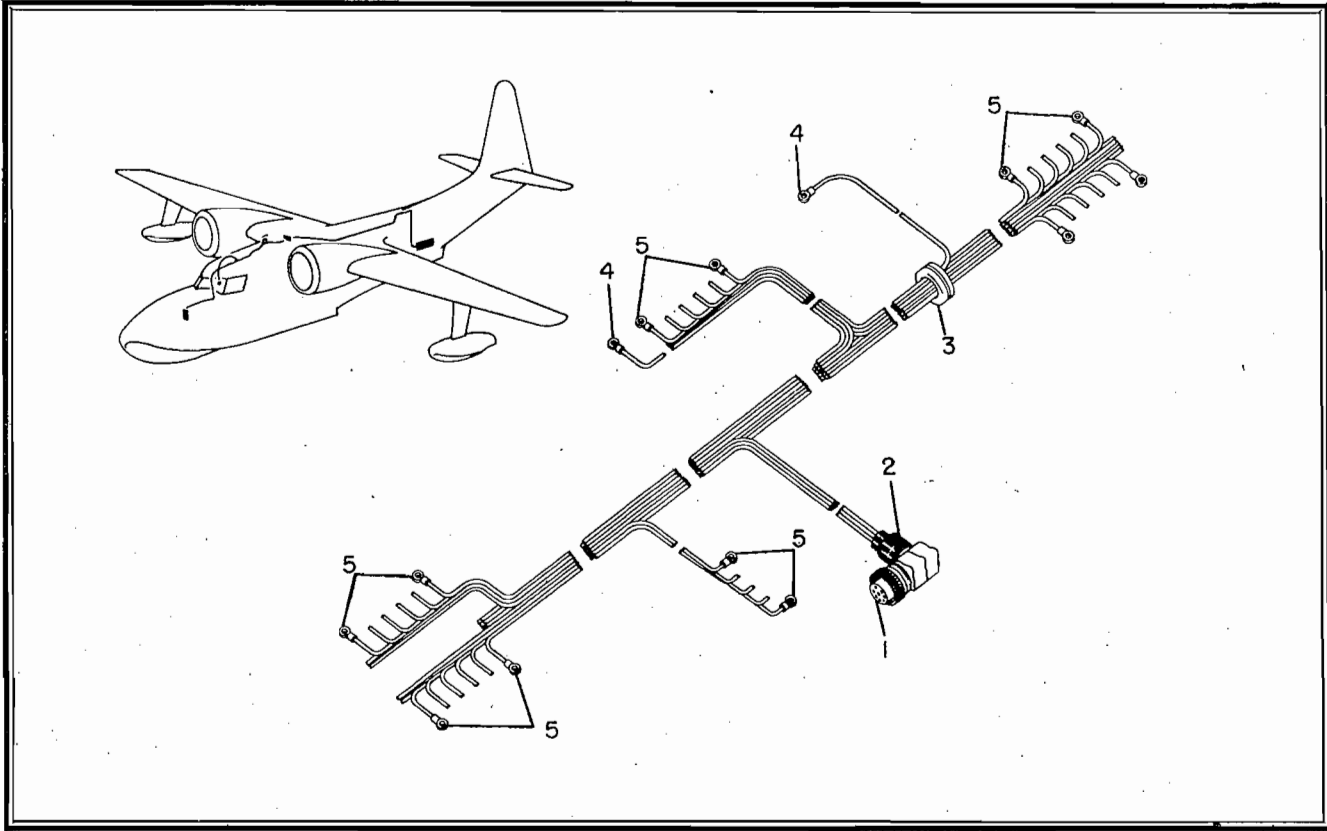


Figure 165—Trunk Cable Assembly



Section II
Group Assembly Parts List

Figure & Index No.	Part No.	Nomenclature	1 2 3 4 5 6 7	Units Per Assy	Usage Code
-----------------------	----------	--------------	---------------	-------------------	---------------

HULL (Cont)

Radio #2 Cable Assembly

163-	110238-1	. . . Cable Assembly - Radio #2 (See Fig. 150-32)		Ref	dd
-1	110238-2	. . . Cable Sub-Assembly		1	dd
-2	NK-C23-21-5/8B	. . . Plug (Cannon Electric Development Co.)		2	dd
-3	G355-2	. . . Boot		2	dd
-4	AN753B1	. . . Coupler - Splice		4	dd
-5	AN753A1	. . . Tip - Splice		9	dd
-6	31889	. . . Terminal (Aircraft Marine Products, Inc.)		41	dd
-7	31900	. . . Terminal (Aircraft Marine Products, Inc.)		3	dd
-8	32544	. . . Terminal (Aircraft Marine Products, Inc.)		4	dd
-9	110238-3	. . . Cable Sub-Assembly		1	dd
-10	SK-C16-21-5/8B	. . . Plug (Cannon Electric Development Co.)		1	dd
-11	G355-2	. . . Boot		1	dd
-12	AN753B1	. . . Coupler - Splice		7	dd
-13	AN753A1	. . . Tip - Splice		7	dd

Radio #1 Cable Assembly

164-	110239-1	. . . Cable Assembly - Radio #1 (See Fig. 150-33)		Ref	dd
-1	NK-C23-21-5/8B	. . . Plug (Cannon Electric Development Co.) or A30095 (Bendix Aviation Corp.)		2	dd
-2	SK-19-21-5/8B	. . . Plug (Cannon Electric Development Co.) or A30698 (Bendix Aviation Corp.)		1	dd
-3	G355-3	. . . Boot		3	dd
-4	AN753A1	. . . Tip - Splice		8	dd
-5	AN753B1	. . . Coupler - Splice		4	dd
-6	31889	. . . Terminal (Aircraft Marine Products, Inc.)		9	dd
-7	31900	. . . Terminal (Aircraft Marine Products, Inc.)		6	dd

Trunk Cable Assembly

165-	110216-1	. . . Cable Assembly - Trunk (See Fig. 150-35)		Ref	dc
-1	GK-C8-23-1/2B	. . . Plug (Cannon Electric Development Co.)		1	dc
-2	G355-2	. . . Boot		1	dc
-3	AN931-11-16	. . . Grommet		1	dc
-4	32544	. . . Terminal (Aircraft Marine Products, Inc.)		2	dc
-5	31889	. . . Terminal (Aircraft Marine Products, Inc.)		95	dc

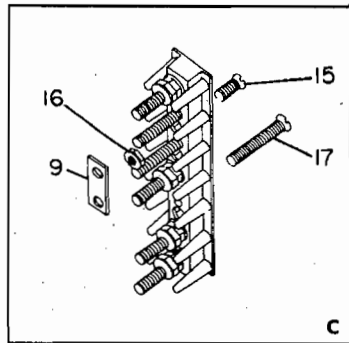
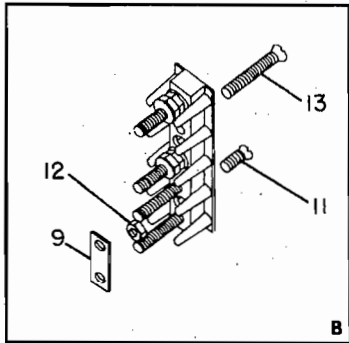
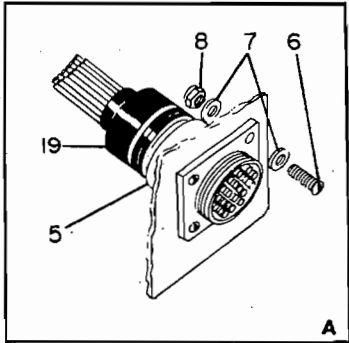
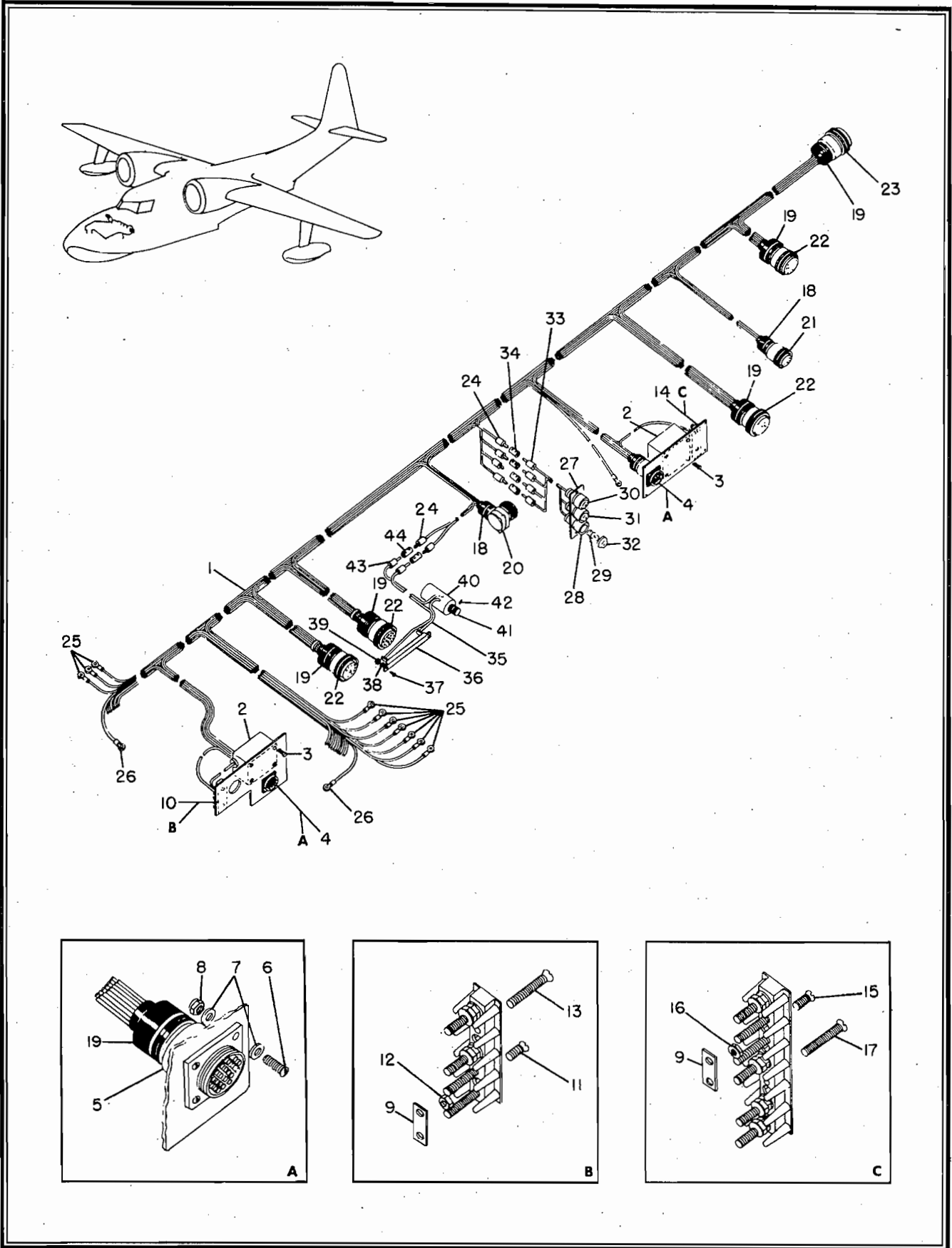


Figure 166—Radio Bow Cable Assembly



Section II
Group Assembly Parts List

Figure & Index No.	Part No.	Nomenclature 1 2 3 4 5 6 7	Units Per Assy	Usage Code
HULL (Cont)				
Radio Bow Cable Assembly				
166-	110212	. . . Cable Assembly - Radio bow (See Fig. 150-34)	Ref	dc
-1	110212-2	. . . Cable Sub-Assembly	1	dc
-2	MR-16D Filter - Range	2	dc
ATTACHING PARTS				
-3	AN505-6-4 Screw	8	dc
-4	SK-C16-32S Receptacle (Cannon Electric Development Co.)	2	dc
-5	SKCL-5/8B Shell (Cannon Electric Development Co.)	2	dc
-6	AN515-4-7 Screw	8	dc
-7	AN960D4L Washer	16	dc
-8	AN365-440 Nut	8	dc
-9	G158-2-6 Strip - Insulating	2	dc
-10	G159-B5-12 Panel - Connector (iap)	1	dc
ATTACHING PARTS				
-11	AN505-4-6 Screw	1	dc
-12	AN365-440 Nut	1	dc
-13	AN505-6-16 Screw - Ground (Replaces G157-6-12 screw supplied with index no. 10)	1	dc
-14	G159-B7-12 Panel - Connector (iap)	1	dc
ATTACHING PARTS				
-15	AN505-4-6 Screw	1	dc
-16	AN365-440 Nut	1	dc
-17	AN505-6-16 Screw - Ground (Replaces G157-6-12 screw supplied with index no. 14)	1	dc
-18	G355-2 Boot	2	dc
-19	G355-3 Boot	7	dc
-20	WK-6-23-3/8B Plug (Cannon Electric Development Co.)	1	dc
-21	GK-12-21-1/2B Plug (Cannon Electric Development Co.)	1	dc
-22	NK-C23-21-5/8B Plug (Cannon Electric Development Co.)	4	dc
-23	SK-19-21-5/8B Plug (Cannon Electric Development Co.)	1	dc
-24	AN753A1 Tip - Splice	6	dc
-25	31900 Terminal (Aircraft Marine Products, Inc.)	10	dc
-26	31889 Terminal (Aircraft Marine Products, Inc.)	118	dc
-27	110212-3 Cable Sub-Assembly	1	dc
-28	A120195 Socket - Lamp (Bendix Aviation Corp.)	3	dc
-29	A9320-4 Lamp - 6.3 volt, 0.4 amperes (Bendix Aviation Corp.)	3	dc
-30	A120196-1 Jewel - White (Bendix Aviation Corp.)	1	dc
-31	A120196-3 Jewel - Amber (Bendix Aviation Corp.)	1	dc
-32	A120196-2 Jewel - Purple (Bendix Aviation Corp.)	1	dc
-33	AN753A1 Tip - Splice	4	dc
-34	AN753B1 Coupler - Splice	4	dc
-35	110212-4 Cable Sub-Assembly	1	dc
-36	A100517 Resistor (Bendix Aviation Corp.)	1	dc
ATTACHING PARTS				
-37	AN505-4-6 Screw	2	dc
-38	AN960D4L Washer	2	dc
-39	AN365-440 Nut	2	dc
-40	A29734-1 Potentiometer (Bendix Aviation Corp.)	1	dc

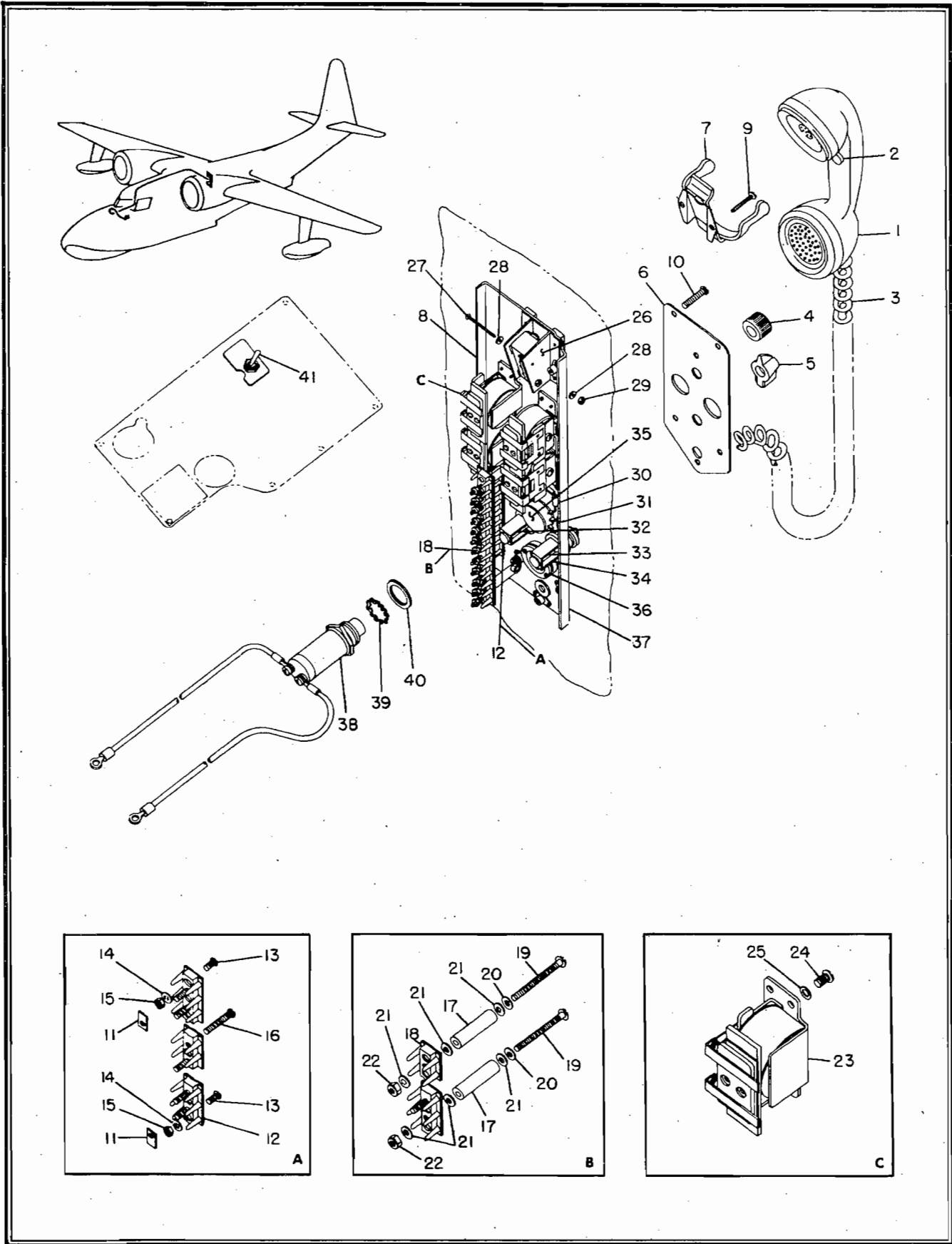


Figure 167—Communications Installation (See Fig. 168)



Section II
Group Assembly Parts List

Figure & Index No.	Part No.	Nomenclature 1 2 3 4 5 6 7	Units Per Assy	Usage Code
HULL (Cont)				
Radio Bow Cable Assembly (Cont)				
166-41	A100667 Knob (Bendix Aviation Corp.)	1	dc
		ATTACHING PARTS		
-42	A140-2 Screw - Set (Bendix Aviation Corp.)	1	dc
-43	AN753A1 Tip - Splice	2	dc
-44	AN753B1 Coupler - Splice	2	dc
Communications Installation				
167-	110250-1	. Telephone Installation - Radio (See Fig. 150-41)	Ref	ab
-1	9134	. . Handset - Telephone (Aviometer Corp.)	1	ab
-2	9238	. . Switch (Aviometer Corp.) (Furnished with index no. 1)	1	ab
-3	9242	. . Cord - 6 ft "Refrax" (Furnished with index no. 1)	1	ab
-4	55-035	. . Knob - Potentiometer (Erco Radio Laboratory)	1	ab
-5	55-072	. . Knob - Switch (Erco Radio Laboratory)	1	ab
-6	110250-9	. . Nameplate - Controls	1	ab
-7	9181	. . Hanger - Telephone handset (Aviometer Corp.)	1	ab
-8	110250-2	. . Panel Assembly - Electrical (iap)	1	ab
		ATTACHING PARTS		
-9	8-32 x 1 1/4	. . . Screw - Black oxidized round head brass	2	ab
-10	6-32 x 1	. . . Screw - Black oxidized round head brass	6	ab
-11	G158-1-6	. . . Strip - Insulating	2	ab
-12	G159-A9-12	. . . Panel - Connector (iap)	1	ab
		ATTACHING PARTS		
-13	AN515-4-5 Screw	2	ab
-14	AN960D4L Washer	2	ab
-15	AN365-440 Nut	2	ab
-16	AN515-6-16 Screw	1	ab
-17	G5-D4-124	. . . Spacer	2	ab
-18	G159-A11-12	. . . Panel - Connector (iap)	1	ab
		ATTACHING PARTS		
-19	AN515-6-32 Screw	2	ab
-20	AN960-6 Washer	2	ab
-21	AN960D6L Washer	6	ab
-22	AN365-632 Nut	2	ab
-23	CR2791-B110F3	. . . Relay - D.P.D.T. (General Electric Co.)	4	ab
		ATTACHING PARTS		
-24	AN515-6-4 Screw	16	ab
-25	AN960D6L Washer	16	ab
-26	MC2711	. . . Actuator - Microswitch	1	ab
-26	AN3216-1	. . . Switch	1	ab
		ATTACHING PARTS		
-27	AN515-6-20 Screw	2	ab
-28	AN960D6L Washer	4	ab
-29	AN365-632 Nut	2	ab
-30	BT 1/2	. . . Resistor - Fixed 100 ohm (International Resistance Co.)	1	ab

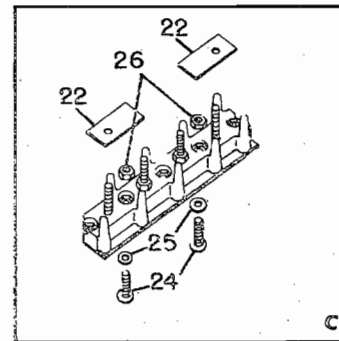
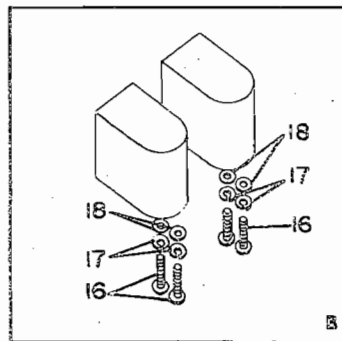
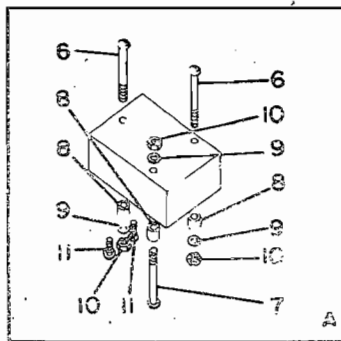
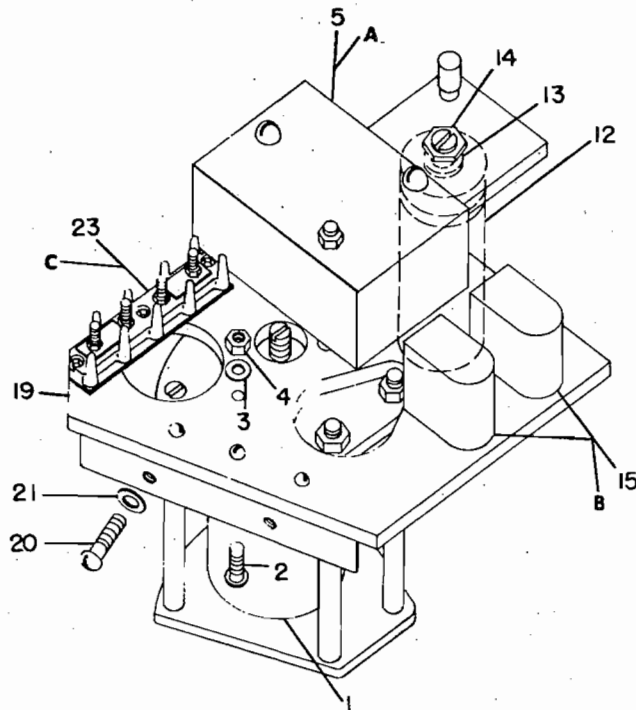
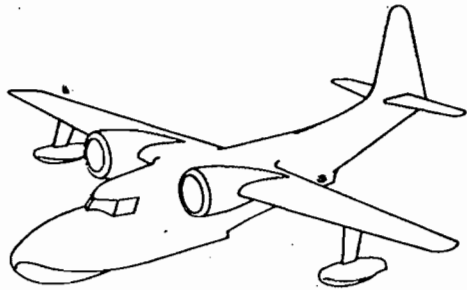


Figure 168—Communications Installation (See Fig. 167)



Section II
Group Assembly Parts List

Figure & Index No.	Part No.	Nomenclature	Units Per Assy	Usage Code
		1 2 3 4 5 6 7		
HULL (Cont)				
Communications Installation (Cont)				
167-31	BT 1/2	. . . Resistor - Fixed 500 ohm (International Resistance Co.)	1	ab
-32	80	. . . Lamp Assembly - Amber (Drake Manufacturing Co.)	1	ab
-33	80	. . . Lamp Assembly - Red (Drake Manufacturing Co.)	1	ab
-34	AN3121-313	. . . Lamp - Clear	2	ab
-35	M8	. . . Potentiometer - 1000 ohm (Clarostat Manufacturing Co., Inc.)	1	ab
-36	1409	. . . Switch (Peerless Radio Co.)	1	ab
-37	110250-3	. . . Panel Assembly	1	ab
	110250-8	. . Button Assembly - Push	1	ab
-38	12776	. . . Switch - Push button (Arrow, Hart & Hegeman Electric Switch Co.)	1	ab
-39	16-886	. . . Washer - Lock (Cutler-Hammer, Inc.)	1	ab
-40	Comm.	. . . Nut - Knurled brass 15/32 lock	1	ab
-41	110255-1	. . Control - MS 120A	1	ab
168-	110275-1	. Coil Installation - Radio telephone load (See Fig. 150-42)	Ref	ab
-1	MT-19A	. . Coil - Antenna load (Bendix Radio)	1	ab
ATTACHING PARTS				
-2	AN526-832-12	. . Screw	2	ab
-3	AN960D8L	. . Washer	2	ab
-4	AN365-832	. . Nut	2	ab
-5	AC56987-3	. . Relay - Antenna coil control (Bendix Radio)	1	ab
ATTACHING PARTS				
-6	AN515-8-18	. . Screw	2	ab
-7	AN505-8-20	. . Screw	1	ab
-8	G5-8-24	. . Spacer	3	ab
-9	AN960D8L	. . Washer	3	ab
-10	AN365-832	. . Nut	3	ab
-11	Comm.	. . Screw - Round head brass #6-32 x 7/8	2	ab
-12	C201449-1	. . Coil - Receiving load (Bendix Radio)	1	ab
ATTACHING PARTS				
-13	AN936A616	. . Washer	1	ab
-14	Comm.	. . Nut - 3/8-32 brass check	1	ab
-15	C218146-3	. . Relay - Receiving load coil (Bendix Radio)	2	ab
ATTACHING PARTS				
-16	AN515-4-6	. . Screw	4	ab
-17	AN960D4L	. . Washer	4	ab
-18	AN935-4L	. . Washer	4	ab
-19	110275-2	. . Mount Assembly (iap)	1	ab
ATTACHING PARTS				
-20	AN526-6-14	. . . Screw	4	ab
-21	AN960D6	. . . Washer	4	ab
-22	G158-2-6	. . . Strip - Insulating	2	ab
-23	G159-A4-4	. . . Panel - Connector (iap)	1	ab
ATTACHING PARTS				
-24	AN515-4-8 Screw	2	ab
-25	AN960D4L Washer	2	ab
-26	AN365-440 Nut	2	ab

Section II
Group Assembly Parts List

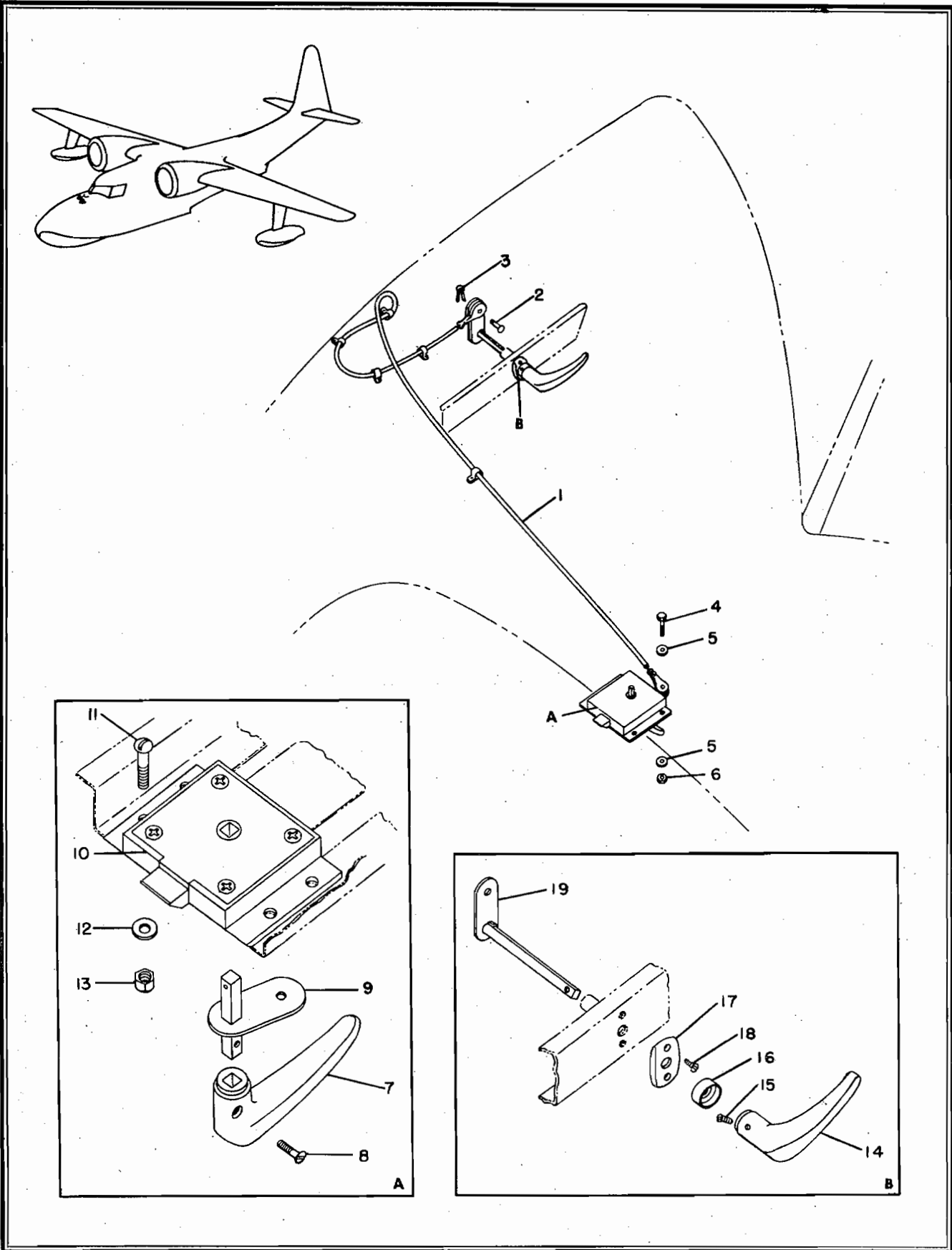


Figure 169—Bow Hatch Release Cable Installation



Section II
Group Assembly Parts List

Figure & Index No.	Part No.	Nomenclature							Units Per Assy	Usage Code
		1	2	3	4	5	6	7		
HULL (Cont)										
Bow Hatch Release Cable Installation										
169-	107024	1	All
-1	107476	1	All
ATTACHING PARTS										
-2	AN393-7	1	All
-3	AN380C2-2	1	All
-4	AN515-8-8	1	All
-5	AN960-10L	2	All
-6	AN365-832	1	All
-7	360	1	All
ATTACHING PARTS										
-8	AN505-6-8	1	All
-9	107400	1	All
-10	112348	1	All
ATTACHING PARTS										
-11	AN520-10-12	4	All
-12	AN960-10	4	All
-13	AN365-1032	4	All
-14	360	1	All
ATTACHING PARTS										
-15	AN505-6-8	1	All
-16	107533	1	All
-17	G359	1	All
ATTACHING PARTS										
-18	NAF1029-6C-4	2	All
-19	107477	1	All

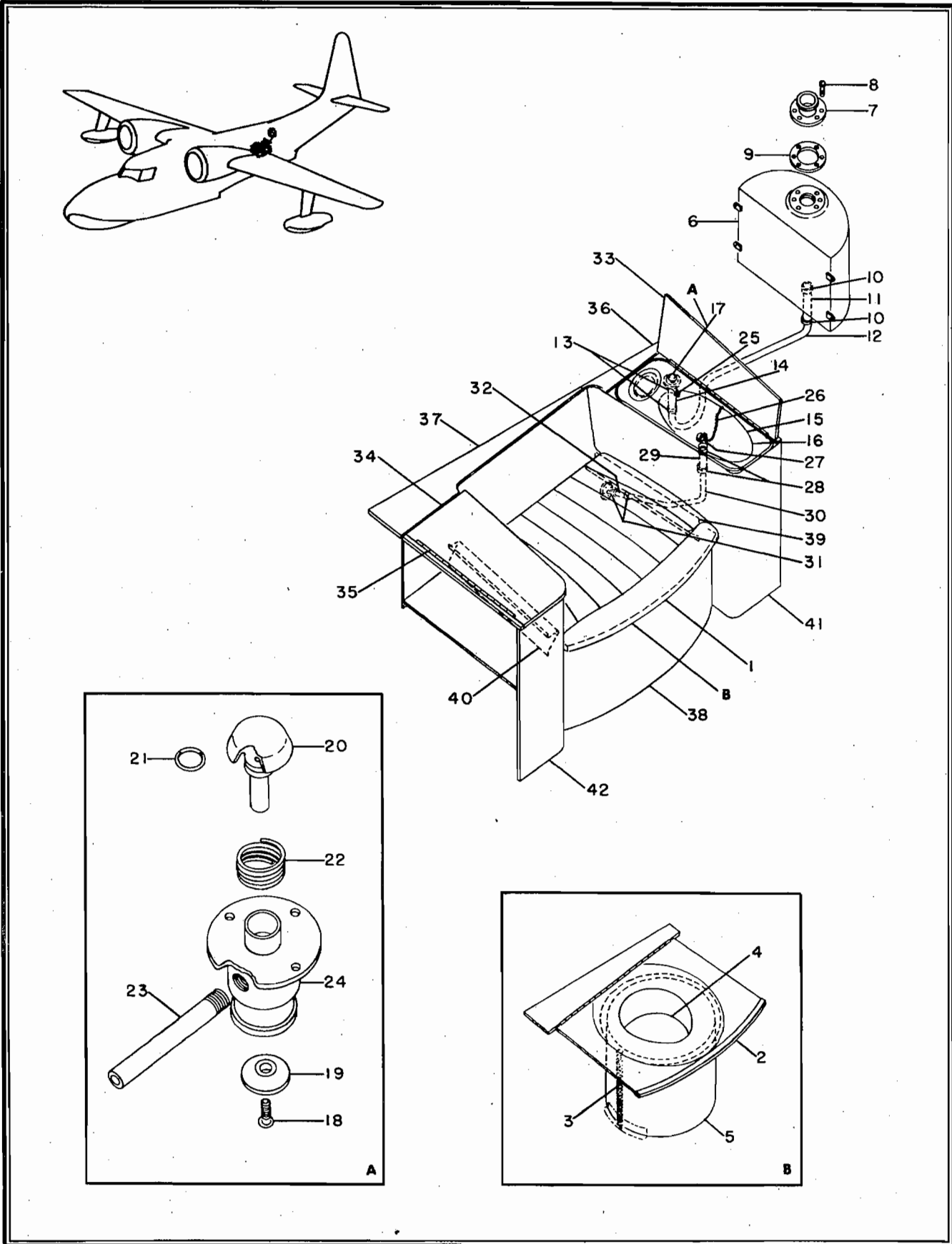


Figure 170—Lavatory Assembly and Installation



Section II
Group Assembly Parts List

Figure & Index No.	Part No.	Nomenclature							Units Per Assy	Usage Code
		1	2	3	4	5	6	7		
HULL (Cont)										
Lavatory Assembly and Installation										
170-	110300	. . .							1	All
-1	110309	. . .							1	All
-2	110316	. . .							1	All
-3	G102-7	. . .							2	All
-4	110301-2	. . .							1	All
-5	110301-1	. . .							1	All
-6	12836	. . .							1	All
-7	12836-8	. . .							1	All
ATTACHING PARTS										
-8	AN503-416-8							6	All
-9	G21-25							1	All
-10	AN748-34	. . .							2	All
-11	AN878-10-15	. . .							1	All
-12	110521-1	. . .							1	All
-13	AN748-34	. . .							2	All
-14	AN878-10-15	. . .							1	All
-15	110302	. . .							1	All
-16	110303							1	All
-17	110427							1	All
-18	AN515B8-6							1	All
-19	Comm.							1	All
-20	112983							1	All
-21	AN6227-5							1	All
-22	G101-222							1	All
-23	112988							1	All
-24	112982							1	All
-25	AN931-5-9							1	All
-26	110302-2							1	All
		Chain - Stopper (Selected from part no. 103-6 in. long beaded chain with slip-on eyelet ends made by Scovill Manufacturing Co.)								
-27	110302-1							1	All
-28	AN748-34	. . .							2	All
-29	AN878-10-15	. . .							1	All
-30	110521-1	. . .							1	All
-31	AN748-34	. . .							2	All
-32	AN878-10-15	. . .							1	All
-33	110306-3L	. . .							1	All
-34	110306-3R	. . .							1	All
-35	110304-6	. . .							2	All
-36	110306-5	. . .							1	All
-37	110306-4	. . .							1	All
-38	110308-2	. . .							1	All
-39	110304-27	. . .							1	All
-40	110304-26	. . .							1	All
-41	110306-2	. . .							1	All
-42	110306-1	. . .							1	All

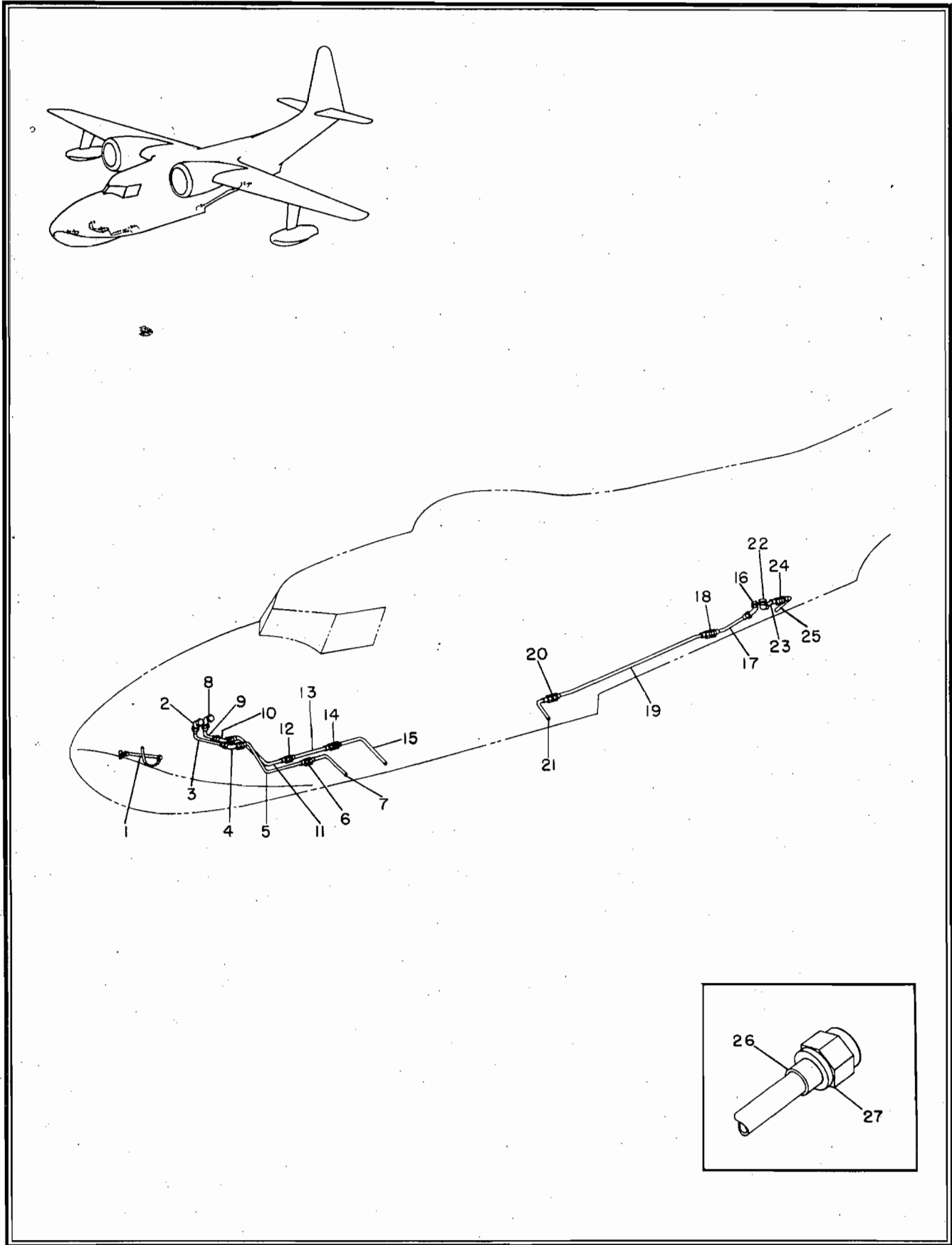


Figure 171—Bilge Pumping System Installation



Section II
Group Assembly Parts List

Figure & Index No.	Part No.	Nomenclature							Units Per Assy	Usage Code
		1	2	3	4	5	6	7		
HULL (Cont)										
Bilge Pumping System Installation										
171-	107566	1	All
-1	107567	1	All
-2	AN820-8	1	All
-2	AN837-8D	1	All
-2	AN924-8D	1	All
-3	107565-1	1	All
-4	AN837-8D	1	All
-4	AN924-8D	1	All
-5	107565-3	1	All
-6	AN815-8D	1	All
-7	107565-9	1	All
-8	AN820-8	1	All
-8	AN837-8D	1	All
-8	AN924-8D	1	All
-9	107565-2	1	All
-10	AN837-8D	1	All
-10	AN924-8D	1	All
-11	107565-4	1	All
-12	AN815-8D	1	All
-13	107565-5	1	All
-14	AN832-8D	1	All
-14	AN924-8D	1	All
-15	107565-10	1	All
-16	AN820-8	1	All
-16	AN837-8D	1	All
-16	AN924-8D	1	All
-17	107565-8	1	All
-18	AN837-8D	1	All
-18	AN924-8D	1	All
-19	107565-6	1	All
-20	AN832-8D	1	All
-20	AN924-8D	1	All
-21	107565-12	1	All
-22	AN820-8	1	All
-22	AN837-8D	1	All
-22	AN924-8D	1	All
-23	107565-7	1	All
-24	AN832-8D	1	All
-24	AN924-8D	1	All
-25	107565-11	1	All
END FITTINGS FOR 1/2 IN. O.D. LINE ASSEMBLIES										
-26	AN819-8Z	2	All
-27	AN818-8D	2	All

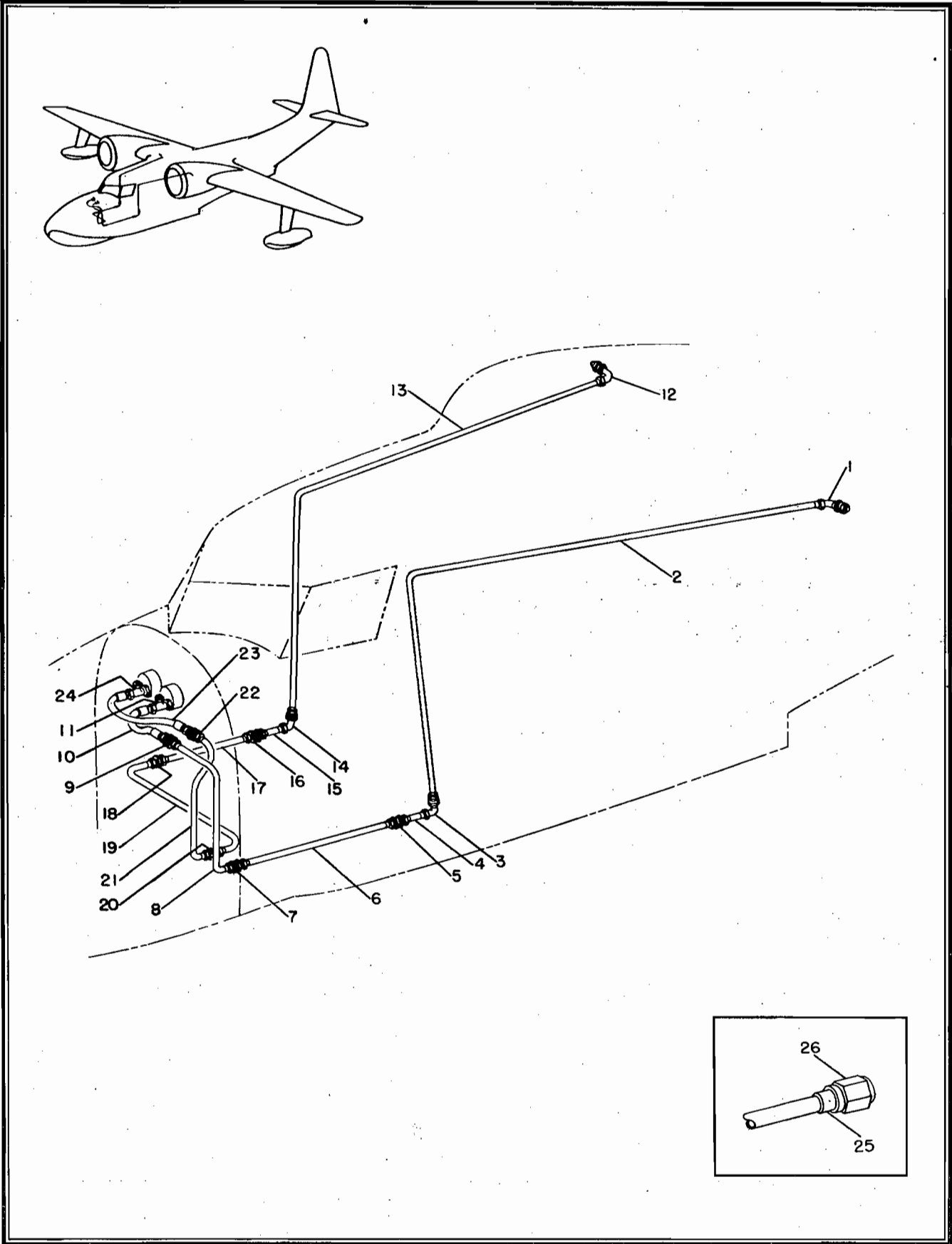


Figure 172—Oil System Installation



Figure &
Index No.

Part No.

Nomenclature
1 2 3 4 5 6 7

Units Usage
Per Assy Code

HULL (Cont)

Oil System Installation

Figure & Index No.	Part No.	Nomenclature	Units Per Assy	Usage Code
172-	109002	. System Installation - Oil	1	All
-1	AN833-4D	. . Elbow - Bulkhead 90°	1	All
-1	AN960D716	. . Washer	2	All
-1	AN924-4D	. . Nut	1	All
-2	109002-4	. . Tube Assembly - 1/4 in. O.D.	1	All
-3	AN833-4D	. . Elbow - Bulkhead 90°	1	All
-3	AN960D716	. . Washer	2	All
-3	AN924-4D	. . Nut	1	All
-4	109002-3	. . Tube Assembly - 1/4 in. O.D.	1	All
-5	AN832-4D	. . Union - Bulkhead	1	All
-5	AN960D716	. . Washer	2	All
-5	AN924-4D	. . Nut	1	All
-6	109002-2	. . Tube Assembly - 1/4 in. O.D.	1	All
-7	AN832-4D	. . Union - Bulkhead	1	All
-7	AN960D716	. . Washer	2	All
-7	AN924-4D	. . Nut	1	All
-8	109002-1	. . Tube Assembly - 1/4 in. O.D.	1	All
-9	AN832-4D	. . Union - Bulkhead	1	All
-9	AN960D716	. . Washer	2	All
-9	AN924-4D	. . Nut	1	All
-10	AN6260-4-22 1/2	. . Hose Assembly	1	All
-11	AN826-4D	. . Tee	1	All
-11	AN820-4	. . Cap	1	All
-12	AN833-4D	. . Elbow - Bulkhead 90°	1	All
-12	AN960D716	. . Washer	2	All
-12	AN924-4D	. . Nut	1	All
-13	109002-9	. . Tube Assembly - 1/4 in. O.D.	1	All
-14	AN833-4D	. . Elbow - Bulkhead 90°	1	All
-14	AN960D716	. . Washer	2	All
-14	AN924-4D	. . Nut	1	All
-15	109002-10	. . Tube Assembly - 1/4 in. O.D.	1	All
-16	AN832-4D	. . Union - Bulkhead	1	All
-16	AN960D716	. . Washer	2	All
-16	AN924-4D	. . Nut	1	All
-17	109002-11	. . Tube Assembly - 1/4 in. O.D.	1	All
-18	AN815-4D	. . Union	1	All
-19	109002-12	. . Tube Assembly - 1/4 in. O.D.	1	All
-20	AN832-4D	. . Union - Bulkhead	1	All
-20	AN960D716	. . Washer	2	All
-20	AN924-4D	. . Nut	1	All
-21	109002-51	. . Tube Assembly - 1/4 in. O.D.	1	All
-22	AN832-4D	. . Union - Bulkhead	1	All
-22	AN960D716	. . Washer	2	All
-22	AN924-4D	. . Nut	1	All
-23	AN6260-4-22 1/2	. . Hose Assembly	1	All
-24	AN826-4D	. . Tee	1	All
-24	AN820-4	. . Cap	1	All
END FITTINGS FOR 1/4 IN. O.D. TUBE ASSEMBLIES				
-25	AN819-4Z	. . . Sleeve	2	
-26	AN818-4D	. . . Nut	2	

Section II
Group Assembly Parts List

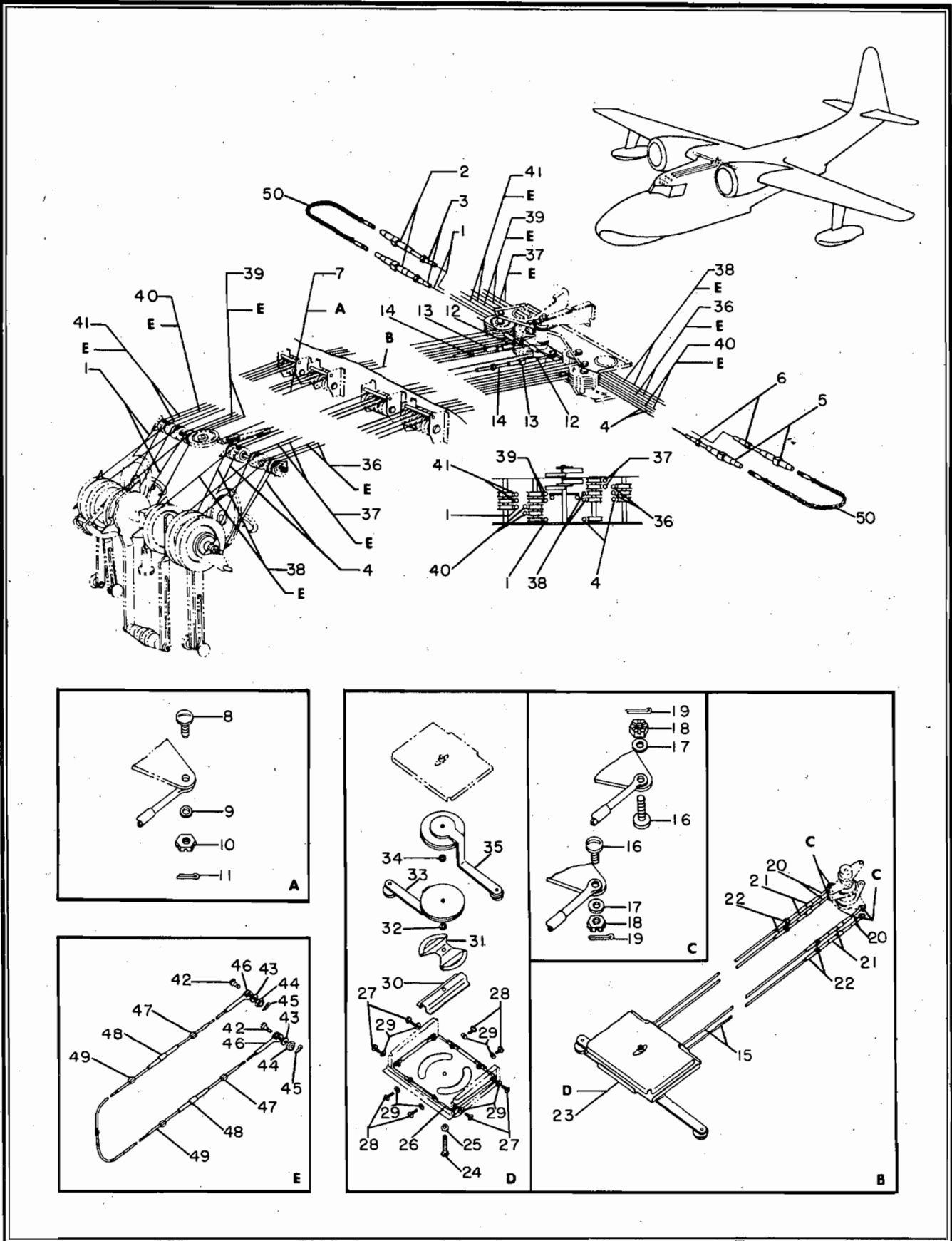


Figure 173—Engine Controls Installation



Figure &
Index No.

Part No.

Nomenclature
1 2 3 4 5 6 7

Units Usage
Per Assy Code

HULL (Cont)

Engine Controls Installation

Figure & Index No.	Part No.	Nomenclature	Units Per Assy	Usage Code
173-	No Number	. Controls Installation - Engine (Reference Grumman drawing no. 109003)	1	All
-1	109204	. . Cable Assembly - Fuel selector	1	All
-2	AN155-8S	. . . Barrel - Turnbuckle	2	All
-3	AN669S2LH	. . . Terminal - Turnbuckle	2	All
-4	109204	. . Cable Assembly - Fuel selector	1	All
-5	AN155-8S	. . . Barrel - Turnbuckle	2	All
-6	AN669S2LH	. . . Terminal	2	All
-7	109203-1	. . Cable Assembly - Carburetor heat (iap)	1	w
ATTACHING PARTS				
-8	AN23-9	. . . Bolt	2	w
-9	AN960-10L	. . . Washer	2	w
-10	AN320-3	. . . Nut	2	w
-11	AN380C2-2	. . . Cotter	2	w
-12	AN165-8S	. . . Terminal - Turnbuckle	2	w
-13	AN155-8S	. . . Barrel - Turnbuckle	2	w
-14	AN669S2LH	. . . Terminal - Turnbuckle	2	w
-15	109203-9	. . Cable Assembly - Carburetor heat (iap)	2	x
ATTACHING PARTS				
-16	AN23-9	. . . Bolt	2	x
-17	AN960-10L	. . . Washer	2	x
-18	AN320-3	. . . Nut	2	x
-19	AN380C2-2	. . . Cotter	2	x
-20	AN165-8S	. . . Terminal - Turnbuckle	2	x
-21	AN155-8S	. . . Barrel - Turnbuckle	2	x
-22	AN669S2LH	. . . Terminal - Turnbuckle	2	x
-23	No Number	. . Control - Carburetor heat (Reference Grumman drawing no. 108525)	1	x
-24	AN4-20A	. . . Bolt	1	x
-25	AN960D416	. . . Washer	1	x
-26	108530-1	. . . Bracket Assembly (iap)	1	x
ATTACHING PARTS				
-27	AN520-10-7 Screw	4	x
-28	AN520-10-8 Screw	4	x
-29	AN960D10 Washer	8	x
-30	108534-2	. . . Bracket	1	x
-31	108529	. . . Ratchet Assembly	1	x
-32	G5-4-9	. . . Spacer	1	x
-33	108533-2	. . . Handle Assembly	1	x
-34	AN960D416L	. . . Washer	1	x
-35	108533-1	. . . Handle Assembly	1	x
-36	109200-1	. . Cable Assembly - Left propeller control (iap) (See Index Nos. 46 to 49 for detail parts)	1	All
-37	109200-2	. . Cable Assembly - Right propeller control (iap) (See Index Nos. 46 to 49 for detail parts)	1	All
-38	109202-3	. . Cable Assembly - Left throttle (iap) (See Index Nos. 46 to 49 for detail parts)	1	All

Section II
Group Assembly Parts List

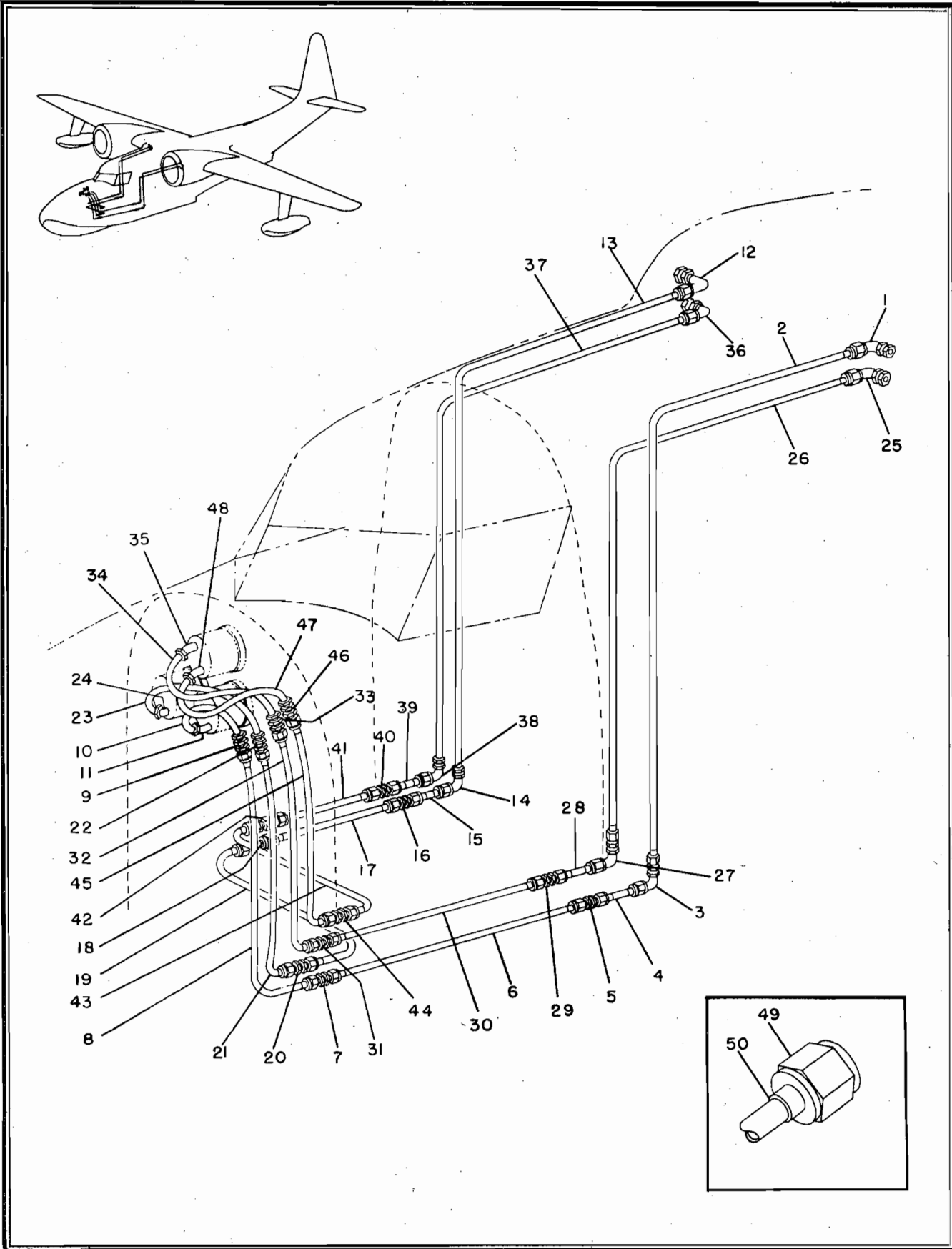


Figure 174—Fuel and Manifold Pressure System Installation



Section II
Group Assembly Parts List

Figure & Index No.	Part No.	Nomenclature							Units Per Assy	Usage Code
		1	2	3	4	5	6	7		
HULL (Cont)										
Engine Controls Installation (Cont)										
173-39	109202-4	. . .	Cable Assembly - Right throttle (iap) (See Index Nos. 46 to 49 for detail parts)					1	All	
-40	109202-1	. . .	Cable Assembly - Left mixture (iap) (See Index Nos. 46 to 49 for detail parts)					1	All	
-41	109202-2	. . .	Cable Assembly - Right mixture (iap) (See Index Nos. 46 to 49 for detail parts)					1	All	
ATTACHING PARTS										
-42	AN23-8	Bolt					2	All	
-43	AN960-10L	Washer					2	All	
-44	AN320-3	Nut					2	All	
-45	AN380C2-2	Cotter					2	All	
-46	AN667-2	Terminal - Fork end					2	All	
-47	AN669S2RH	Terminal - Turnbuckle					2	All	
-48	AN155-8S	Barrel - Turnbuckle					2	All	
-49	AN669S2LH	Terminal - Turnbuckle					2	All	
-50	109082	. . .	Chain - Fuel selector					2	All	

Fuel and Manifold Pressure System Installation

174-	No Number	. . .	System Installation - Fuel and manifold pressure (Reference Grumman drawings no. 109001 and 109010)					1	All
-1	AN833-4D	. . .	Elbow - Bulkhead 90°					1	All
-1	AN960D716	. . .	Washer					2	All
-1	AN924-4D	. . .	Nut					1	All
-2	109001-3	. . .	Tube Assembly - Fuel pressure 1/4 in. O.D.					1	All
-3	AN833-4D	. . .	Elbow - Bulkhead 90°					1	All
-3	AN960D716	. . .	Washer					2	All
-3	AN924-4D	. . .	Nut					1	All
-4	109001-2	. . .	Tube Assembly - Fuel pressure 1/4 in. O.D.					1	All
-5	AN832-4D	. . .	Union - Bulkhead					1	All
-5	AN901-4C	. . .	Gasket					1	All
-5	AN924-4D	. . .	Nut					1	All
-6	109001-1	. . .	Tube Assembly - Fuel pressure 1/4 in. O.D.					1	All
-7	AN832-4D	. . .	Union - Bulkhead					1	All
-7	AN901-4C	. . .	Gasket					1	All
-7	AN924-4D	. . .	Nut					1	All
-8	109001-21	. . .	Tube Assembly - Fuel pressure 1/4 in. O.D.					1	All
-9	AN832-4D	. . .	Union - Bulkhead					1	All
-9	AN960D716	. . .	Washer					1	All
-9	AN924-4D	. . .	Nut					1	All
-10	AN856-4-22 1/2	. . .	Hose Assembly					1	All
-11	AN823-4D	. . .	Elbow - 45°					1	All
-12	AN833-4D	. . .	Elbow - Bulkhead 90°					1	All
-12	AN960D716	. . .	Washer					2	All
-12	AN924-4D	. . .	Nut					1	All
-13	109001-8	. . .	Tube Assembly - Fuel pressure 1/4 in. O.D.					1	All
-14	AN833-4D	. . .	Elbow - Bulkhead 90°					1	All
-14	AN960D716	. . .	Washer					2	All

Section II
Group Assembly Parts List



Figure & Index No.	Part No.	Nomenclature	Units Per Assy	Usage Code
		1 2 3 4 5 6 7		
HULL (Cont)				
Fuel and Manifold Pressure System Installation (Cont)				
174-14	AN924-4D	. . Nut	1	All
-15	109001-7	. . Tube Assembly - Fuel pressure 1/4 in. O.D.	1	All
-16	AN832-4D	. . Union - Bulkhead	1	All
-16	AN901-4C	. . Gasket	1	All
-16	AN924-4D	. . Nut	1	All
-17	109001-6	. . Tube Assembly - Fuel pressure 1/4 in. O.D.	1	All
-18	AN815-4D	. . Union	1	All
-19	109001-20	. . Tube Assembly - Fuel pressure 1/4 in. O.D.	1	All
-20	AN832-4D	. . Union - Bulkhead	1	All
-20	AN901-4C	. . Gasket	1	All
-20	AN924-4D	. . Nut	1	All
-21	109001-50	. . Tube Assembly - Fuel pressure 1/4 in. O.D.	1	All
-22	AN832-4D	. . Union - Bulkhead	1	All
-22	AN960D716	. . Washer	1	All
-22	AN924-4D	. . Nut	1	All
-23	AN856-4-22 1/2	. . Hose Assembly	1	All
-24	AN823-4D	. . Elbow - 45°	1	All
-25	AN833-4D	. . Elbow - Bulkhead 90°	1	All
-25	AN960D716	. . Washer	2	All
-25	AN924-4D	. . Nut	1	All
-26	109010-4	. . Tube Assembly - Manifold pressure 1/4 in. O.D.	1	All
-27	AN833-4D	. . Elbow - Bulkhead 90°	1	All
-27	AN960D716	. . Washer	2	All
-27	AN924-4D	. . Nut	1	All
-28	109010-5	. . Tube Assembly - Manifold pressure 1/4 in. O.D.	1	All
-29	AN832-4D	. . Union - Bulkhead	1	All
-29	AN901-4C	. . Gasket	2	All
-29	AN924-4D	. . Nut	1	All
-30	109010-6	. . Tube Assembly - Manifold pressure 1/4 in. O.D.	1	All
-31	AN832-4D	. . Union - Bulkhead	1	All
-31	AN901-4C	. . Gasket	2	All
-31	AN924-4D	. . Nut	1	All
-32	109010-7	. . Line Assembly - Manifold pressure 1/4 in. O.D.	1	All
-33	AN832-4D	. . Union - Bulkhead	1	All
-33	AN901-4C	. . Gasket	2	All
-33	AN924-4D	. . Nut	1	All
-34	AN856-4-16 1/2	. . Hose Assembly	1	All
-35	AN832-4D	. . Elbow - 45°	1	All
-36	AN833-4D	. . Elbow - Bulkhead 90°	1	All
-36	AN960D716	. . Washer	2	All
-36	AN924-4D	. . Nut	1	All
-37	109010-9	. . Tube Assembly - Manifold pressure 1/4 in. O.D.	1	All
-38	AN833-4D	. . Elbow - Bulkhead 90°	1	All
-38	AN960D716	. . Washer	2	All
-38	AN924-4D	. . Nut	1	All
-39	109010-10	. . Tube Assembly - Manifold pressure 1/4 in. O.D.	1	All
-40	AN832-4D	. . Union - Bulkhead	1	All
-40	AN901-4C	. . Gasket	2	All
-40	AN924-4D	. . Nut	1	All
-41	109010-11	. . Tube Assembly - Manifold pressure 1/4 in. O.D.	1	All
-42	AN815-4D	. . Union	1	All
-43	109010-12	. . Tube Assembly - Manifold pressure 1/4 in. O.D.	1	All
-44	AN832-4D	. . Union - Bulkhead	1	All
-44	AN901-4C	. . Gasket	2	All
-44	AN924-4D	. . Nut	1	All



Section II
Group Assembly Parts List

Figure & Index No.	Part No.	Nomenclature							Units Per Assy	Usage Code
		1	2	3	4	5	6	7		

HULL (Cont)

Fuel and Manifold Pressure System Installation (Cont)

174-45	109010-13	. .	Tube Assembly - Manifold pressure 1/4 in. O.D.					1	All
-46	AN832-4D	. .	Union - Bulkhead					1	All
-46	AN901-4C	. .	Gasket					2	All
-46	AN924-4D	. .	Nut					1	All
-47	AN856-4-16 1/2	. .	Hose Assembly					1	All
-48	AN823-4D	. .	Elbow - 45°					1	All
			END FITTINGS FOR 1/4 IN. O.D. TUBE ASSEMBLIES						
-49	AN819-4Z	. . .	Sleeve					2	
-50	AN818-4D	. . .	Nut					2	

Section II
Group Assembly Parts List

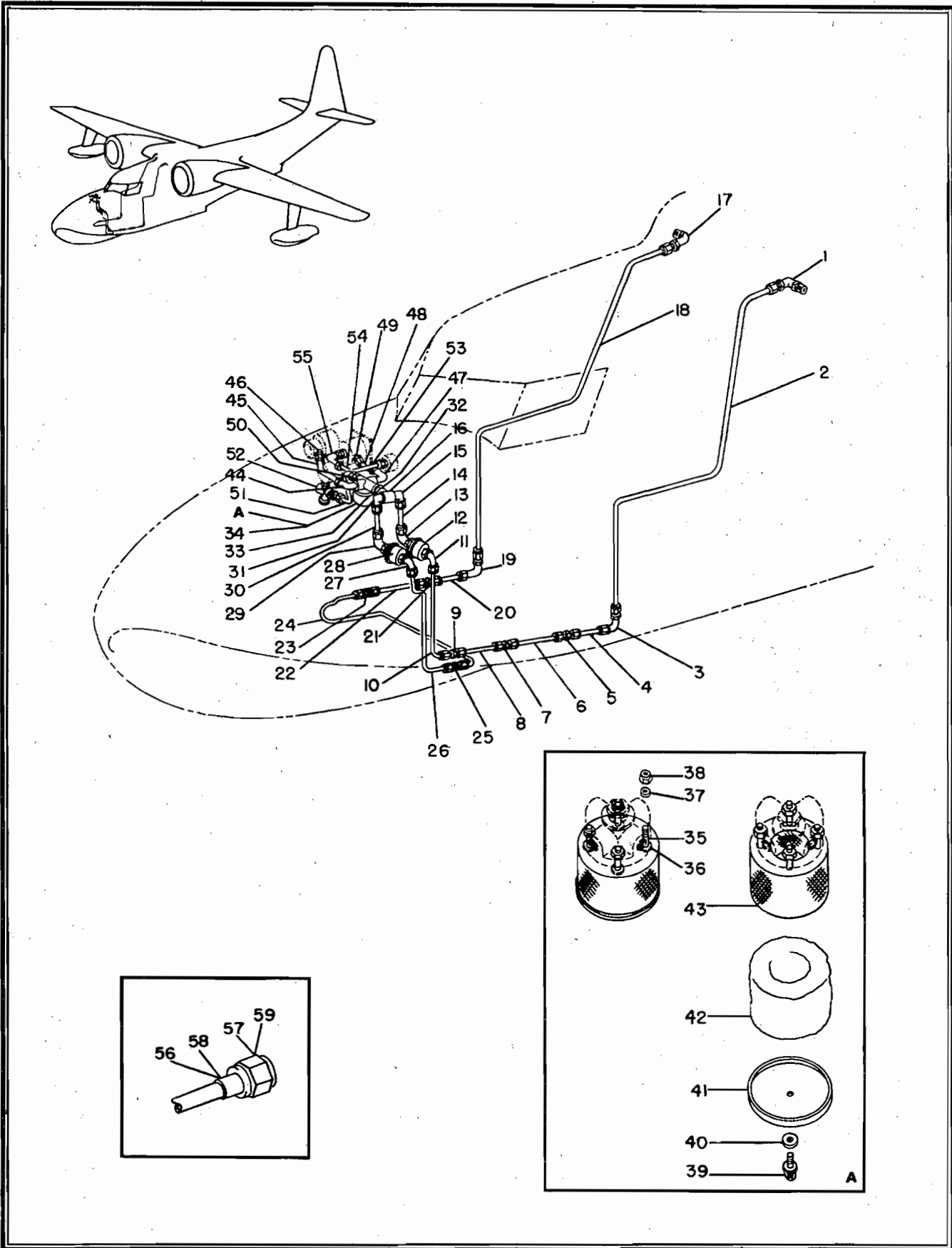


Figure 175—Vacuum System Installation



Figure &
Index No.

Part No.

Nomenclature
1 2 3 4 5 6 7

Units Usage
Per Assy Code

HULL (Cont)

Vacuum System Installation

Figure & Index No.	Part No.	Nomenclature	Units Per Assy	Usage Code
175-	No Number	. System Installation - Vacuum (Reference Grumman drawing no. 109006)	1	All
-1	AN833-8D	. . Elbow - Bulkhead 90°	1	All
-1	AN960D1216	. . Washer	2	All
-1	AN924-8D	. . Nut	1	All
-2	109006-5	. . Tube Assembly - 1/2 in. O.D.	1	All
-3	AN833-8D	. . Elbow - Bulkhead 90°	1	All
-3	AN960D1216	. . Washer	2	All
-3	AN924-8D	. . Nut	1	All
-4	109006-6	. . Tube Assembly - 1/2 in. O.D.	1	All
-5	AN832-8D	. . Union - Bulkhead	1	All
-5	AN960D1216	. . Washer	1	All
-5	AN924-8D	. . Nut	1	All
-6	109006-7	. . Tube Assembly - 1/2 in. O.D.	1	All
-7	AN815-8D	. . Union - Flared tube	1	All
-8	109006-8	. . Tube Assembly - 1/2 in. O.D.	1	All
-9	AN832-8D	. . Union - Bulkhead	1	All
-9	AN960D1216	. . Washer	1	All
-9	AN924-8D	. . Nut	1	All
-10	109006-9	. . Tube Assembly - 1/2 in. O.D.	1	All
-11	AN822-8D	. . Elbow	1	All
-12	19-100-1	. . Valve - Check (Kenyon Instrument Co., Inc.)	1	All
-13	AN822-8D	. . Elbow	1	All
-14	109006-10	. . Tube Assembly - 1/2 in. O.D.	1	All
-15	AN822-8D	. . Elbow	1	ae
-16	AN917-3D	. . Tee	1	ae
-17	AN833-8D	. . Elbow - Bulkhead 90°	1	All
-17	AN960D1216	. . Washer	2	All
-17	AN924-8D	. . Nut	1	All
-18	109006-13	. . Tube Assembly - 1/2 in. O.D.	1	All
-19	AN833-8D	. . Elbow - Bulkhead 90°	1	All
-19	AN960D1216	. . Washer	2	All
-19	AN924-8D	. . Nut	1	All
-20	109006-14	. . Tube Assembly - 1/2 in. O.D.	1	All
-21	AN832-8D	. . Union - Bulkhead	1	All
-21	AN960D1216	. . Washer	1	All
-21	AN924-8D	. . Nut	1	All
-22	109006-15	. . Tube Assembly - 1/2 in. O.D.	1	All
-23	AN815-8D	. . Union - Flared tube	1	All
-24	109006-16	. . Tube Assembly - 1/2 in. O.D.	1	All
-25	AN832-8D	. . Union - Bulkhead	1	All
-25	AN960D1216	. . Washer	1	All
-25	AN924-8D	. . Nut	1	All
-26	109006-17	. . Tube Assembly - 1/2 in. O.D.	1	All
-27	AN822-8D	. . Elbow	1	All
-28	19-100-1	. . Valve - Check (Kenyon Instrument Co., Inc.)	1	All
-29	AN822-8D	. . Elbow	1	All
-30	109006-10	. . Tube Assembly - 1/2 in. O.D.	1	All
-31	AN822-8D	. . Elbow	1	ae
-32	AN911-3D	. . Nipple	1	ae
-33	6803A	. . Valve - Suction regulating (Manning, Maxwell & Moore, Inc.)	1	ae
-34	108661-1	. . Filter Assembly - Suction regulating valve (lap)	1	ae
ATTACHING PARTS				
-35	AN515-8-16	. . . Screw	4	ae

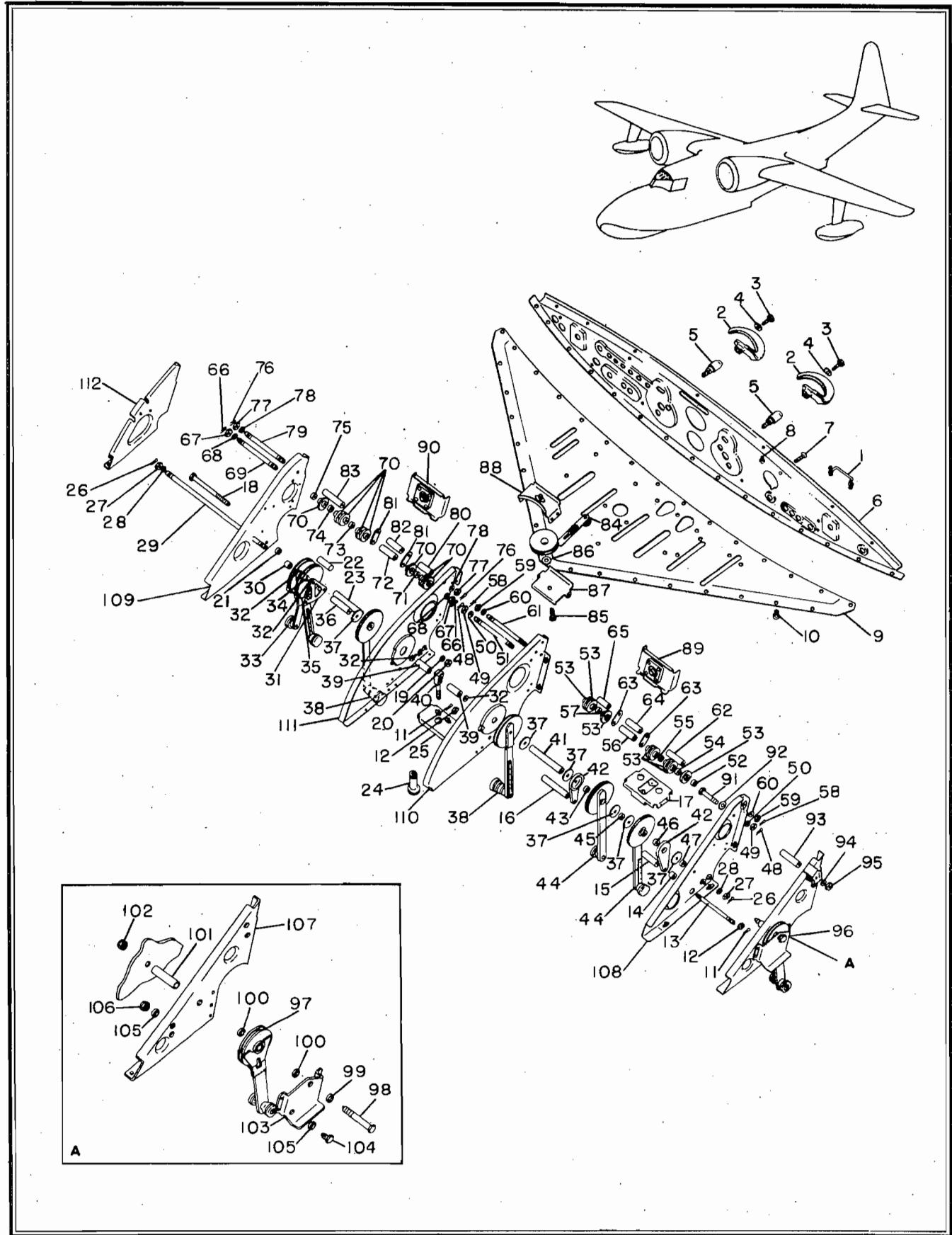


Figure 176—Overhead Controls Installation



Section II
Group Assembly Parts List

Figure & Index No.	Part No.	Nomenclature 1 2 3 4 5 6 7	Units Per Assy	Usage Code
HULL (Cont)				
Vacuum System Installation (Cont)				
175-36	AN960-8	. . . Washer	4	ae
-37	AN960D8	. . . Washer	4	ae
-38	AN365-832	. . . Nut	4	ae
-39	AN42-3	. . . Bolt	1	ae
-40	AN960D10L	. . . Washer	1	ae
-41	108661-8	. . . Cover	1	ae
-42	108661-2	. . . Unit - Filter	1	ae
-43	No Number	. . . Screen Assembly - Soldered (Reference Grumman drawings no. 108661-3, 108661-4, 108661-6 and 108661-7)	1	ae
-44	AN822-6D	. . Elbow	1	ae
-45	AN6270-6-16	. . Hose Assembly	1	ae
-46	AN816-6D	. . Nipple	1	ae
-47	AN822-6D	. . Elbow	1	ae
-48	AN6270-6-12	. . Hose Assembly	1	ae
-49	AN816-6D	. . Nipple	1	ae
-50	AN816-4D	. . Nipple	1	ae
-51	AN6270-4-11	. . Hose Assembly	1	ae
-52	20-100	. . Valve (Kenyon Instrument Co., Inc.)	1	ae
-52	AN816-4D	. . Nipple	1	ae
-52	AN911-1D	. . Nipple	1	ae
-52	AN913-1D	. . Plug	1	ae
-53	AN816-4D	. . Nipple	1	ae
-54	109006-4	. . Tube Assembly - 1/4 in. O.D.	1	ae
-55	AN822-4D	. . Elbow	1	ae
-55	AN912-1D	. . Reducer	1	ae
END FITTINGS FOR 1/4 IN. O.D. TUBE ASSEMBLIES				
-56	AN819-4Z	. . . Sleeve	2	
-57	AN818-4D	. . . Nut	2	
END FITTINGS FOR 1/2 IN. O.D. TUBE ASSEMBLIES				
-58	AN819-8Z	. . . Sleeve	2	
-59	AN818-8D	. . . Nut	2	
Overhead Controls Installation				
176-	No Number	. Controls Installation - Overhead (Reference Grumman drawing no. 111070)	1	All
-1	110109	. . Bar Assembly - Ganging	1	All
-2	112939	. . Handle - Fuel selector	2	All
ATTACHING PARTS				
-3	AN73-12	. . Bolt	1	All
-4	AN960A10	. . Washer	1	All
-5	112938	. . Shaft - Fuel selector	2	All
-6	111068-4	. . Cover Assembly - Plexiglas (iap)	1	av
	111068-2	. . Cover Assembly - Plexiglas (iap)	1	aw
	111010-1	. . Cover Assembly - Plexiglas (iap)	1	ax
	111010-2	. . Cover Assembly - Plexiglas (iap)	1	ay
ATTACHING PARTS				
-7	AN526-832-16	. . . Screw - Rear	8	All
-8	AN526-632-8	. . . Screw - Top	7	All

Section II
Group Assembly Parts List



Figure & Index No.	Part No.	Nomenclature	Units Per Assy	Usage Code
		1 2 3 4 5 6 7		
HULL (Cont)				
Overhead Controls Installation (Cont)				
176-9	111116	. . . Panel - Cabin dome bottom (iap)	1	All
ATTACHING PARTS				
-10	AN526-832-8 Screw	47	All
-11	AN380C2-2	. . Cotter	2	All
-12	AN310-3	. . Nut	2	All
-13	112963	. . Stud - Propeller control handle restrictor	1	All
-14	G5-D3-27	. . Spacer	1	All
-15	G5-D3-124	. . Spacer	1	All
-16	G5-D3-208	. . Spacer	1	All
-17	111090	. . Bracket - Propeller feathering switch	1	All
-18	AN3-46A	. . Bolt - Mixture control rack assembly	1	All
-19	AN960D10L	. . Washer	1	All
-20	AN365-1032	. . Nut	1	All
-21	G5-3-36	. . Spacer	1	All
-22	G5-3-108	. . Spacer	1	All
-23	G5-3-224	. . Spacer	1	All
-24	112947	. . Knob - Throttle restrictor	1	All
-25	111099	. . Bracket Assembly	1	All
-26	AN380C2-3	. . Cotter	2	All
-27	AN310-5	. . Nut	2	All
-28	AN960D516L	. . Washer	2	All
-29	112946	. . Shaft Assembly - Throttle, mixture and propeller restrictor	1	All
-30	G5-5-36	. . Spacer	1	All
-31	112970	. . Rack Assembly - Mixture control	1	All
-32	AN960D516L	. . Washer	4	All
-33	109192R	. . Handle Assembly - Mixture control R.H.	1	All
-34	G5-5-30	. . Spacer	1	All
-35	109192L	. . Handle Assembly - Mixture control L.H.	1	All
-36	G5-5-148	. . Spacer	1	All
-37	AN970-5	. . Washer	6	All
-38	109191	. . Handle Assembly - Throttle control	2	All
-39	112945	. . Spacer - Throttle restrictor	2	All
-40	112948	. . Restrictor - Throttle control	1	All
-41	G5-5-138	. . Spacer	1	All
-42	112937	. . Plate - Propeller restrictor	2	All
-43	G5-5-16	. . Spacer	1	All
-44	109190	. . Handle Assembly - Propeller	2	All
-45	G5-5-10	. . Spacer	1	All
-46	G5-5-16	. . Spacer	1	All
-47	G5-5-23	. . Spacer	1	All
-48	AN380C2-2	. . Cotter	2	All
-49	AN320-3	. . Nut	2	All
-50	AN960D10L	. . Washer	2	All
-51	112963	. . Stud	1	All
-52	G5-3-16	. . Spacer	1	All
-53	AN210-1A	. . Pulley	8	All
-54	AN960-10L	. . Washer	1	All
-55	G5-3-10	. . Spacer	1	All
-56	G5-3-116	. . Spacer	1	All
-57	G5-3-9	. . Spacer	1	All
-58	AN380C2-2	. . Cotter	2	All
-59	AN320-3	. . Nut	2	All
-60	AN960D10L	. . Washer	2	All
-61	112963	. . Stud	1	All



Section II
Group Assembly Parts List

Ft I.	Figure & Index No.	Part No.	Nomenclature							Units Per Assy	Usage Code
			1	2	3	4	5	6	7		
HULL (Cont)											
Overhead Controls Installation (Cont)											
176-62		G5-3-159	. .						Spacer	1	All
-63		111299	. .						Plate	2	All
-64		G5-3-116	. .						Spacer	1	All
-65		G5-3-102	. .						Spacer	1	All
-66		AN380C2-2	. .						Cotter	2	All
-67		AN320-3	. .						Nut	2	All
-68		AN960D10L	. .						Washer	2	All
-69		112963	. .						Stud	1	All
-70		AN210-1A	. .						Pulley	8	All
-71		G5-3-9	. .						Spacer	1	All
-72		G5-3-116	. .						Spacer	1	All
-73		G5-3-10	. .						Spacer	1	All
-74		AN960-10L	. .						Washer	1	All
-75		G5-3-16	. .						Spacer	1	All
-76		AN380C2-2	. .						Cotter	2	All
-77		AN320-3	. .						Nut	2	All
-78		AN960D10L	. .						Washer	2	All
-79		112963	. .						Stud	1	All
-80		G5-3-102	. .						Spacer	1	All
-81		111299	. .						Plate	2	All
-82		G5-3-116	. .						Spacer	1	All
-83		G5-3-159	. .						Spacer	1	All
-84		109193	. .						Handle Assembly - Carburetor air (iap)	1	w
ATTACHING PARTS											
-85		AN74-10	. . .						Bolt	1	w
-86		G5-4-14	. . .						Spacer	1	w
-87		111073	. .						Bracket - Carburetor air	1	w
-88		111074	. .						Bracket - Carburetor air	1	w
-89		111088L	. .						Bracket - Fuel selector support L.H.	1	All
-90		111088R	. .						Bracket - Fuel selector support R.H.	1	All
-91		AN3-27A	. .						Bolt	1	All
-92		AN960-10	. .						Washer	1	All
-93		G5-3-140	. .						Spacer	1	All
-94		AN210-1A	. .						Pulley	2	All
-95		AN365-1032	. .						Nut	1	All
-96		109311	. .						Control Assembly - Flap	1	All
-97		111106	. . .						Handle Assembly (iap)	1	All
ATTACHING PARTS											
-98		AN5-27						Bolt	1	All
-99		AN960-516						Washer	1	All
-100		G5-5-9						Spacer	2	All
-101		G5-5-140						Spacer	1	All
-102		AN365-524						Nut	1	All
-103		111082	. . .						Guard Assembly (iap)	1	All
ATTACHING PARTS											
-104		AN3-4A						Bolt	5	All
-105		AN960-10						Washer	10	All
-106		AN365-1032						Nut	5	All
-107		111077	. . .						Bulkhead Assembly	1	All
-108		111076L	. .						Bulkhead Assembly L.H.	1	All

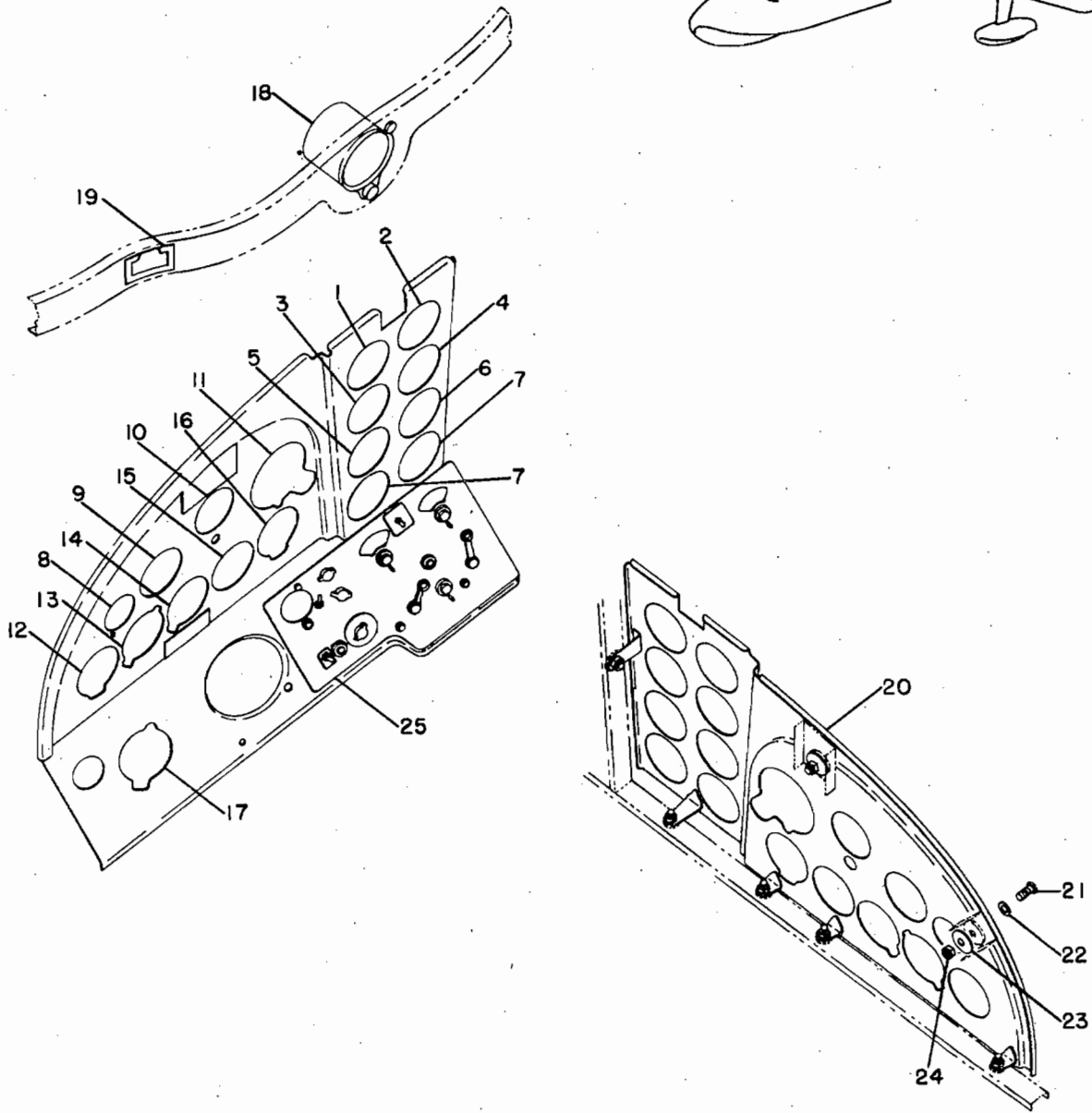
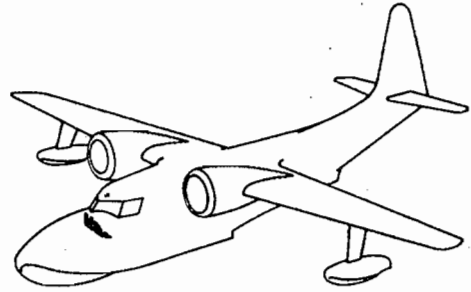


Figure 177—Instruments Installation, Main Instrument Panel
and Radio Panel Assemblies



Section II
Group Assembly Parts List

Figure & Index No.	Part No.	Nomenclature	Units Per Assy	Usage Code
		1 2 3 4 5 6 7		

HULL (Cont)

Overhead Controls Installation (Cont)

176-109	111076R	. . Bulkhead Assembly R.H.	1	All
-110	111075L	. . Bulkhead Assembly L.H.	1	All
-111	111075R	. . Bulkhead Assembly R.H.	1	All
-112	111296	. . Bulkhead Assembly	1	All

Instruments Installation, Main Instrument Panel and Radio Panel Assemblies

177-	No Number	. Instruments Installation (Reference Grumman drawing no. 111004)	1	All
-1	77-B-13	. . Indicator - Carburetor air temperature (The Lewis Engineering Co.)	1	All
-2	728-34Y-Z	. . Indicator - Outside temperature (Weston Electrical Instrument Corp.)	1	All
-3	827-14Y-2	. . Indicator - Cylinder head (Weston Electrical Instrument Corp.)	1	All
-4	AN5780-2	. . Indicator - Wheels and flap position	1	All
-5	728BK-02	. . Indicator - Manifold pressure dual (Kollsman Instrument Division, Square "D" Co.)	1	All
-6	751CK-02	. . Indicator - Tachometer (Kollsman Instrument Division, Square "D" Co.)	1	All
-7	111-6	. . Unit - Engine gage (Thomas A. Edison, Inc.) or GA-1 (General Electric Co.)	2	All
-8	97-02	. . Gage - Suction (Kollsman Instrument Division, Square "D" Co.)	1	All
-9	586PK-0148	. . Indicator - Air speed (Kollsman Instrument Division, Square "D" Co.)	1	All
-10	AN5735-1a	. . Gyro - Directional	1	All
-11	AN5736-1a	. . Gyro - Horizon	1	All
-12	614CK-023	. . Indicator - Rate of climb (Kollsman Instrument Division, Square "D" Co.)	1	k
-13	AN5741-1	. . Clock	1	ae
	671CK-01	. . Altimeter (Kollsman Instrument Division, Square "D" Co.)	1	k
-14	671CK-01	. . Altimeter (Kollsman Instrument Division, Square "D" Co.)	1	All
-15	1722	. . Indicator - Turn and bank (Bendix Aviation Corp.)	1	All
-16	614CK-023	. . Indicator - Rate of climb (Kollsman Instrument Division, Square "D" Co.)	1	ae
	586PK-0148	. . Indicator - Air speed (Kollsman Instrument Division, Square "D" Co.)	1	k
-17	AN5741-1	. . Clock	1	k
-18	398-D-01	. . Compass (Kollsman Instrument Division, Square "D" Co.)	1	All
-19	FSSC88-C-200	. . Card - Compass	1	All
-20	111050	. Panel Assembly - Main instrument (iap)	1	All
		ATTACHING PARTS		
-21	AN515-8-14	. . Screw	7	All

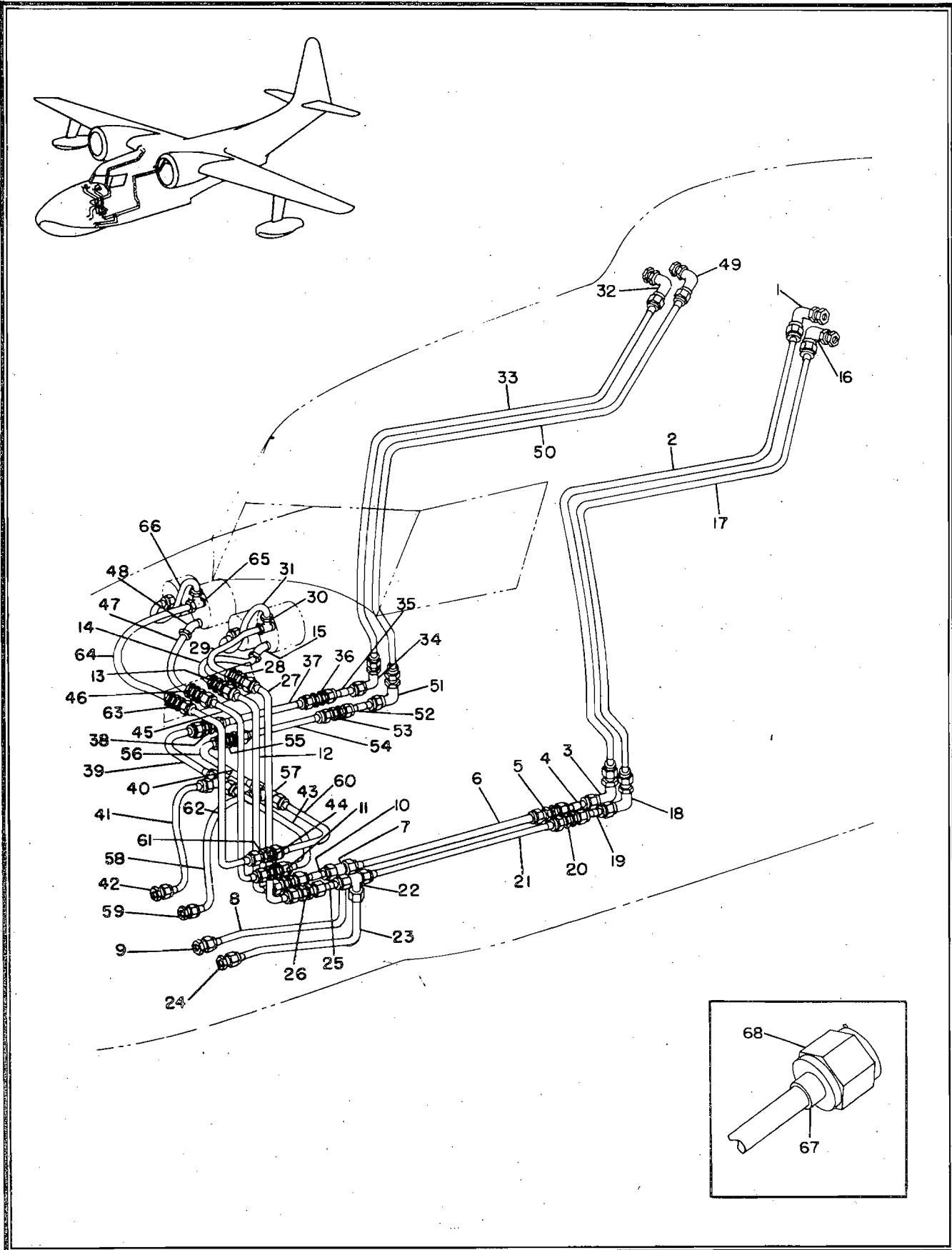


Figure 178—Pitot Tube Lines Installation



Figure &
Index No.

Part No.

Nomenclature
1 2 3 4 5 6 7

Units Usage
Per Assy Code

HULL (Cont)

Instruments Installation, Main Instrument Panel and Radio Panel Assemblies (Cont)

Figure & Index No.	Part No.	Nomenclature	Units Per Assy	Usage Code
177-22	AN960D10L	. . Washer	7	All
-23	AN8013D1	. . Washer	7	All
-24	AN365-832	. . Nut	7	All
-25	111054	. Panel Assembly - Cockpit radio	1	All

Pitot Tube Lines Installation

Figure & Index No.	Part No.	Nomenclature	Units Per Assy	Usage Code
178-	110556-1	. Lines Installation - Standard pitot tube	1	All
-1	AN833-4D	. . Elbow - Bulkhead 90°	1	All
-1	AN960D716	. . Washer	2	All
-1	AN924-4D	. . Nut	1	All
-2	110556-4	. . Line Assembly - 1/4 in. O.D.	1	All
-3	AN833-4D	. . Elbow - Bulkhead 90°	1	All
-3	AN960D716	. . Washer	2	All
-3	AN924-4D	. . Nut	1	All
-4	110556-5	. . Line Assembly - 1/4 in. O.D.	1	All
-5	AN832-4D	. . Union	1	All
-5	AN901-4C	. . Gasket	2	All
-5	AN924-4D	. . Nut	1	All
-6	110556-6	. . Line Assembly - 1/4 in. O.D.	1	All
-7	AN824-4D	. . Tee	1	All
-8	110556-7	. . Line Assembly - 1/4 in. O.D.	1	All
-9	AN820-4D	. . Cap	1	All
-9	AN832-4D	. . Union - Bulkhead	1	All
-9	AN901-4C	. . Gasket	2	All
-9	AN924-4D	. . Nut	1	All
-10	110556-8	. . Line Assembly - 1/4 in. O.D.	1	All
-11	AN832-4D	. . Union - Bulkhead	1	All
-11	AN901-4C	. . Gasket	2	All
-11	AN924-4D	. . Nut	1	All
-12	110556-9	. . Line Assembly - 1/4 in. O.D.	1	All
-13	AN832-4D	. . Union - Bulkhead	1	All
-13	AN960D716	. . Washer	2	All
-13	AN924-4D	. . Nut	1	All
-14	AN856-4-16 1/2	. . Hose Assembly	1	All
-15	AN823-4D	. . Elbow - 45°	1	All
-16	AN833-4D	. . Elbow - Bulkhead 90°	1	All
-16	AN960D716	. . Washer	2	All
-16	AN924-4D	. . Nut	1	All
-17	110556-15	. . Line Assembly - 1/4 in. O.D.	1	All
-18	AN833-4D	. . Elbow - Bulkhead 90°	1	All
-18	AN960D716	. . Washer	2	All
-18	AN924-4D	. . Nut	1	All
-19	110556-14	. . Line Assembly - 1/4 in. O.D.	1	All
-20	AN832-4D	. . Union - Bulkhead	1	All
-20	AN901-4C	. . Gasket	2	All
-20	AN924-4D	. . Nut	1	All
-21	110556-13	. . Line Assembly - 1/4 in. O.D.	1	All
-22	AN824-4D	. . Tee	1	All
-23	110556-12	. . Line Assembly - 1/4 in. O.D.	1	All
-24	AN824-4D	. . Cap	1	All

Section II
Group Assembly Parts List



Figure & Index No.	Part No.	Nomenclature							Units Per Assy	Usage Code
		1	2	3	4	5	6	7		
HULL (Cont)										
Pitot Tube Lines Installation (Cont)										
178-24	AN832-4D	. .							1	All
-24	AN901-4C	. .							2	All
-24	AN924-4D	. .							1	All
-25	110556-11	. .							1	All
-26	AN832-4D	. .							1	All
-26	AN901-4C	. .							2	All
-26	AN924-4D	. .							1	All
-27	110556-10	. .							1	All
-28	AN832-4D	. .							1	All
-28	AN960D716	. .							2	All
-28	AN924-4D	. .							1	All
-29	AN856-4-16 1/2	. .							1	All
-30	AN826-4D	. .							1	All
-31	110556-78	. .							1	All
-32	110556-2	. .							1	k
-32	AN833-4D	. .							1	k
-32	AN960D716	. .							2	k
-32	AN924-4D	. .							1	k
-33	110556-27	. .							1	k
-34	AN833-4D	. .							1	k
-34	AN960D716	. .							2	k
-34	AN924-4D	. .							1	k
-35	110556-28	. .							1	k
-36	AN832-4D	. .							1	k
-36	AN901-4C	. .							2	k
-36	AN924-4D	. .							1	k
-37	110556-29	. .							1	k
-38	AN815-4D	. .							1	k
-39	110556-30	. .							1	k
-40	AN824-4D	. .							1	k
-41	110556-31	. .							1	k
-42	AN820-4D	. .							1	k
-42	AN832-4D	. .							1	k
-42	AN901-4C	. .							2	k
-42	AN924-4D	. .							1	k
-43	110556-32	. .							1	k
-44	AN832-4D	. .							1	k
-44	AN901-4C	. .							2	k
-44	AN924-4D	. .							1	k
-45	110556-33	. .							1	k
-46	AN832-4D	. .							1	k
-46	AN960D716	. .							2	k
-46	AN924-4D	. .							1	k
-47	AN856-4-11	. .							1	k
-48	AN832-4D	. .							1	k
-49	AN833-4D	. .							1	k
-49	AN960D716	. .							2	k
-49	AN924-4D	. .							1	k
-50	110556-40	. .							1	k
-51	AN833-4D	. .							1	k
-51	AN960D716	. .							2	k
-51	AN924-4D	. .							1	k
-52	110556-39	. .							1	k
-53	AN832-4D	. .							1	k
-53	AN901-4C	. .							2	k



Section II
Group Assembly Parts List

Figure & Index No.	Part No.	Nomenclature							Units Per Assy	Usage Code
		1	2	3	4	5	6	7		
HULL (Cont)										
Pitot Tube Lines Installation (Cont)										
178-53	AN924-4D	.	.	Nut					1	k
-54	110556-38	.	.	Line Assembly - 1/4 in. O.D.					1	k
-55	AN815-4D	.	.	Union					1	k
-56	110556-37	.	.	Line Assembly - 1/4 in. O.D.					1	k
-57	AN824-4D	.	.	Tee					1	k
-58	110556-36	.	.	Line Assembly - 1/4 in. O.D.					1	k
-59	AN820-4D	.	.	Cap					1	k
-59	AN832-4D	.	.	Union - Bulkhead					1	k
-59	AN901-4C	.	.	Gasket					2	k
-59	AN924-4D	.	.	Nut					1	k
-60	110556-35	.	.	Line Assembly - 1/4 in. O.D.					1	k
-61	AN832-4D	.	.	Union - Bulkhead					1	k
-61	AN901-4C	.	.	Gasket					2	k
-61	AN924-4D	.	.	Nut					1	k
-62	110556-34	.	.	Line Assembly - 1/4 in. O.D.					1	k
-63	AN832-4D	.	.	Union - Bulkhead					1	k
-63	AN960D716	.	.	Washer					2	k
-63	AN924-4D	.	.	Nut					1	k
-64	AN856-4-11	.	.	Hose Assembly					1	k
-65	AN826-4D	.	.	Tee					1	k
-66	110556-79	.	.	Line Assembly - 1/4 in. O.D.					1	k
END FITTINGS FOR 1/4 IN. O.D. LINE ASSEMBLIES										
-67	AN819-4Z	.	.	Sleeve					2	
-68	AN818-4D	.	.	Nut					2	

Section II
Group Assembly Parts List

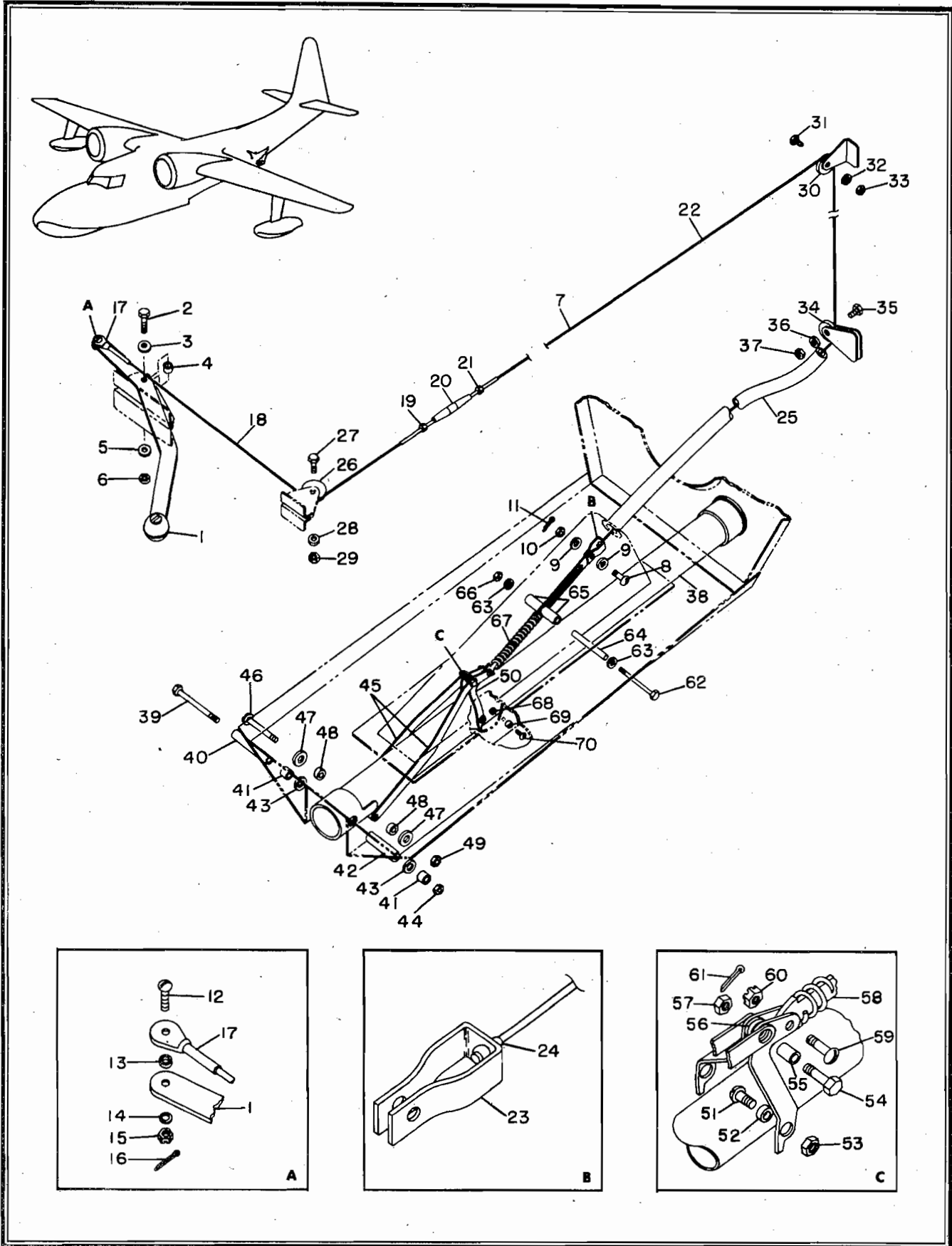


Figure 179—Tail Strut Installation (See Fig. 180)



Section II
Group Assembly Parts List

Figure & Index No.	Part No.	Nomenclature 1 2 3 4 5 6 7	Units Per Assy	Usage Code
HULL (Cont)				
Tail Strut Installation				
179-	108070	. Strut Installation - Tail	1	ch
-1	108071	. . . Lever Assembly - Strut actuating (iap)	1	ch
ATTACHING PARTS				
-2	AN3-6A	. . . Bolt	1	ch
-3	AN960D10L	. . . Washer	1	ch
-4	G5-3-19	. . . Spacer	1	ch
-5	AN960D10	. . . Washer	1	ch
-6	AN365-1032	. . . Nut	1	ch
-7	108082	. . . Cable Assembly - Strut retracting (iap)	1	ch
ATTACHING PARTS				
-8	AN23-5	. . . Bolt	1	ch
-9	AN960-10	. . . Washer	2	ch
-10	AN320-3	. . . Nut	1	ch
-11	AN380C2-2	. . . Cotter	1	ch
-12	AN23-8	. . . Bolt	1	ch
-13	112541-8	. . . Bushing	1	ch
-14	AN960-10	. . . Washer	1	ch
-15	AN320-3	. . . Nut	1	ch
-16	AN380C2-2	. . . Cotter	1	ch
-17	AN668-2	. . . Terminal	1	ch
-18	108082-2	. . . Cable	1	ch
-19	AN669S2LH	. . . Terminal - Turnbuckle	1	ch
-20	AN155-8S	. . . Barrel - Turnbuckle	1	ch
-21	AN669S2RH	. . . Terminal - Turnbuckle	1	ch
-22	108082-1	. . . Cable	1	ch
-23	RA2500-2	. . . Terminal - Fork (American Chain & Cable Co., Inc.)	1	ch
-24	RA2490-2	. . . Terminal - Ball (American Chain & Cable Co., Inc.)	1	ch
-25	108077-1	. . . Tube Assembly - Cable guide	1	ch
-26	AN210-1A	. . . Pulley	1	ch
ATTACHING PARTS				
-27	AN3-6A	. . Bolt	1	ch
-28	AN960D10	. . Washer	1	ch
-29	AN365-1032	. . Nut	1	ch
-30	AN210-6A	. . Pulley	1	ch
ATTACHING PARTS				
-31	AN3-6A	. . Bolt	1	ch
-32	AN960D10L	. . Washer	1	ch
-33	AN365-1032	. . Nut	1	ch
-34	AN210-6A	. . Pulley	1	ch
ATTACHING PARTS				
-35	AN3-6A	. . Bolt	1	ch
-36	AN960D10	. . Washer	1	ch
-37	AN365-1032	. . Nut	1	ch
-38	108054	. . Strut Assembly (iap)	1	ch
ATTACHING PARTS				
-39	AN3-23A	. . . Bolt	1	ch
-40	112541-3	. . . Bushing	1	ch
-41	112541-6	. . . Bushing	2	ch
-42	112541-7	. . . Bushing	1	ch
-43	AN960-516L	. . . Washer	2	ch
-44	AN364-1032	. . . Nut	1	ch

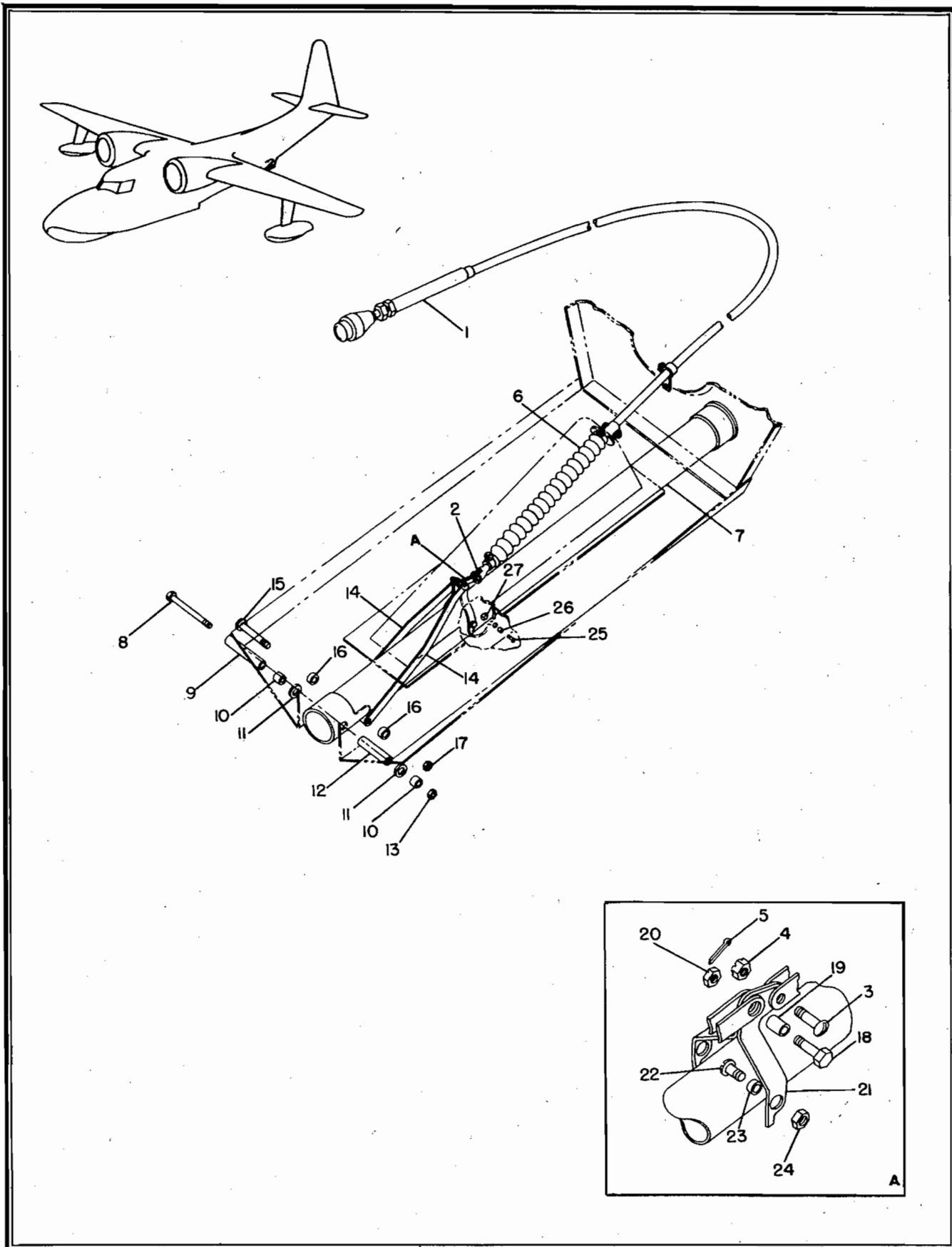


Figure 180—Tail Strut Installation (See Fig. 179)



Figure & Index No.	Part No.	Nomenclature 1 2 3 4 5 6 7	Units Per Assy	Usage Code
HULL (Cont)				
Tail Strut Installation (Cont)				
179-45	108076-1	. . Line - Strut actuating	2	ch
		ATTACHING PARTS		
-46	AN23-28A	. . Bolt	1	ch
-47	AN960-10	. . Washer	2	ch
-48	112541-1	. . Bushing	2	ch
-49	AN364-1032	. . Nut	1	ch
-50	108076-2L	. . Link - Strut actuating L.H. (iap)	1	ch
	108076-2R	. . Link - Strut actuating R.H. (iap)	1	ch
		ATTACHING PARTS		
-51	AN23-8A	. . . Bolt	1	ch
-52	112541-1	. . . Bushing	1	ch
-53	AN364-1032	. . . Nut	1	ch
-54	AN3-6A	. . Bolt	1	ch
-55	112542-2	. . Bushing	1	ch
-56	AN960-516	. . Washer	2	ch
-57	AN365-1032	. . Nut	1	ch
-58	108076-3	. . Link - Strut actuating (iap)	1	ch
		ATTACHING PARTS		
-59	AN24-10	. . . Bolt	1	ch
-60	AN320-4	. . . Nut	1	ch
-61	AN380C2-2	. . . Cotter	1	ch
-62	AN3-23A	. . Bolt	1	ch
-63	AN960D10	. . Washer	2	ch
-64	112542-1	. . Bushing	1	ch
-65	G5-4-50	. . Spacer	2	ch
-66	AN365-1032	. . Nut	1	ch
-67	G101-246	. . Spring - Strut extending	1	ch
-68	AN515-6-8	. . Screw - Strut stop	2	ch
-69	G5-2-8	. . Spacer	2	ch
-70	AN365-632	. . Nut	2	ch
180-	108060	. Strut Installation - Tail	1	ck
-1	3-A-42	. . Control - Push pull 12 ft long (Shakespeare Products Co.) or X-3562 (Shakespeare Products Co.)	1	ck
-2	AN486-2	. . Clevis - Rod end	1	ck
-3	AN24-10	. . Bolt	1	ck
-4	AN320-4	. . Nut	1	ck
-5	AN380C2-2	. . Cotter	1	ck
-6	108056	. . Boot Assembly	1	ck
-7	108054	. . Strut Assembly (iap)	1	ck
		ATTACHING PARTS		
-8	AN3-23A	. . . Bolt	1	ck
-9	112541-3	. . . Bushing	1	ck
-10	112541-6	. . . Bushing	2	ck
-11	AN960-516L	. . . Washer	2	ck
-12	112541-7	. . . Bushing	1	ck
-13	AN364-1032	. . . Nut	1	ck
-14	108085-3	. . Link - Strut actuating	1	ck
-15	AN23-26A	. . Bolt	1	ck
-16	112541-1	. . Bushing	2	ck
-17	AN364-1032	. . Nut	1	ck
-18	AN3-5A	. . Bolt	1	ck
-19	112541-2	. . Bushing	1	ck
-20	AN365-1032	. . Nut	1	ck

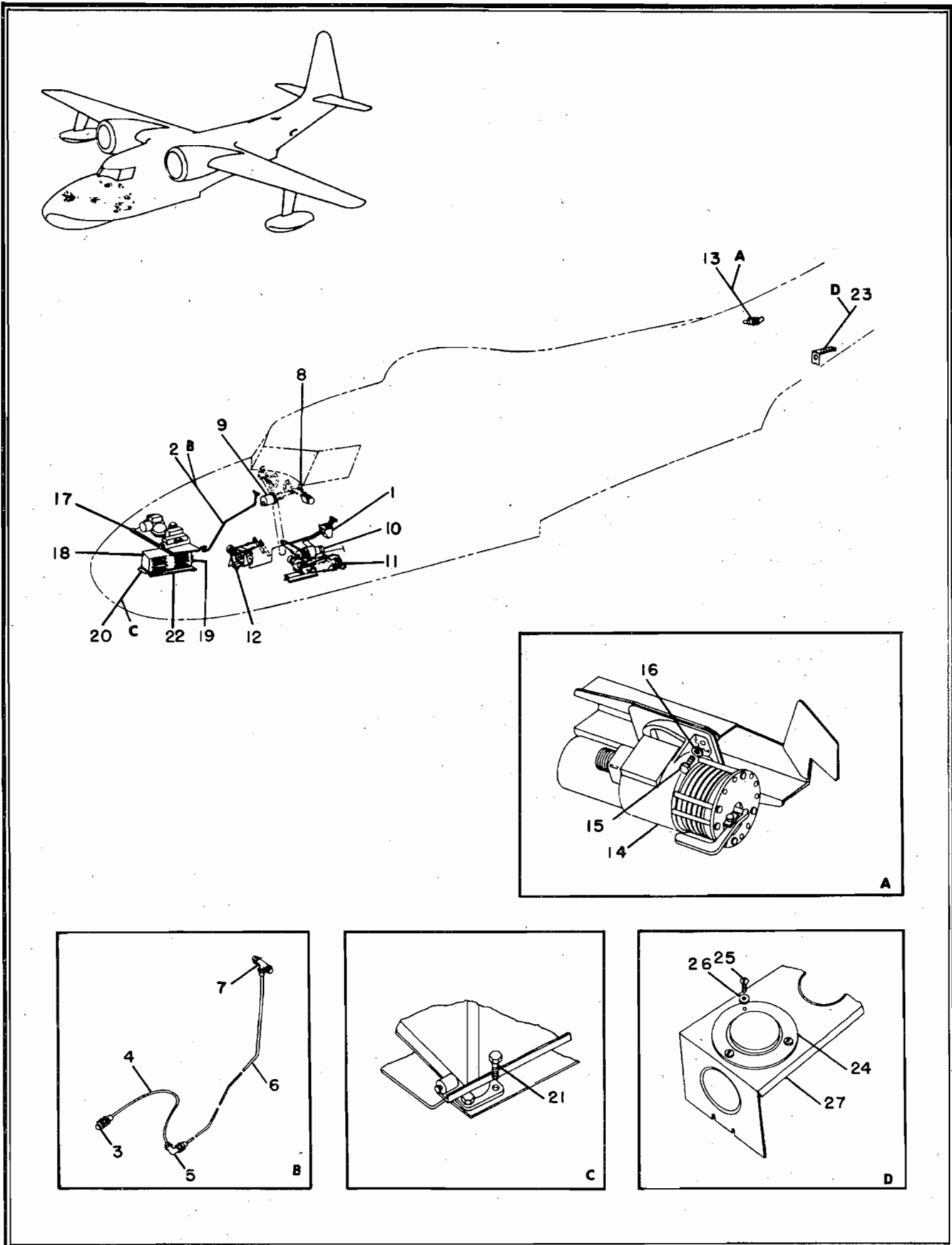


Figure 181—Automatic Pilot Installation



Section II
Group Assembly Parts List

Figure & Index No.	Part No.	Nomenclature							Units Per Assy	Usage Code
		1	2	3	4	5	6	7		
HULL (Cont)										
Tail Strut Installation (Cont)										
180-21	108058-2L	. . .	Link - Strut actuating L.H. (iap)						1	ck
	108058-2R	. . .	Link - Strut actuating R.H. (iap)						1	ck
ATTACHING PARTS										
-22	AN23-8A	. . .	Bolt						1	ck
-23	112541-1	. . .	Bushing						1	ck
-24	AN364-1032	. . .	Nut						1	ck
-25	AN515-6-8	. . .	Screw - Strut stop						2	ck
-26	G5-2-8	. . .	Spacer						2	ck
-27	AN365-632	. . .	Nut						2	ck
Automatic Pilot Installation										
181-	110700	. . .	Pilot Installation - Automatic						1	ab
-1	110707	. . .	Control Installation - Engaging (See Fig. 182)						1	ab
-2	110752	. . .	Line Installation - Amplifier static						1	ab
-3	AN816-2D	. . .	Union						1	ab
-4	AN856-4A	. . .	Hose Assembly - 17 in.						1	ab
-5	AN833-4D	. . .	Elbow - Bulkhead 90°						1	ab
-5	AN901-4A	. . .	Gasket						1	ab
-5	AN924-4D	. . .	Nut						1	ab
-6	110752-1	. . .	Tube Assembly						1	ab
-7	AN824-4D	. . .	Tee						1	ab
-7	AN818-4D	. . .	Nut - Coupling						2	ab
-7	AN819-4D	. . .	Sleeve						2	ab
-8	110751L	. . .	Plate Installation - Electric disengage switch (L.H.)						1	ab
	110751R	. . .	Plate Installation - Electric disengage switch (R.H.)						1	ab
-9	656530	. . .	Repeater (Sperry Gyroscope Co., Inc.)						1	ab
-10	110706	. . .	Servo Installation - Aileron (See Fig. 183)						1	ab
-11	110735	. . .	Servo Installation - Elevator (See Fig. 184)						1	ab
-12	110704	. . .	Servo Installation - Rudder (See Fig. 185)						1	ab
-13	110741	. . .	Servo and Support Installation - Elevator trim tab						1	ab
-14	R-664237	. . .	Unit - Elevator trim tab servo (Sperry Gyroscope Co., Inc.)						1	ab
ATTACHING PARTS										
-15	AN3-5A	. . .	Bolt						3	ab
-16	AN960D10L	. . .	Washer						3	ab
-17	110701	. . .	Shelf Installation - Automatic pilot forward equipment (See Fig. 186)						1	ab
-18	110708	. . .	Amplifier Mount and Support Installation						1	ab
-19	656537	. . .	Amplifier (Sperry Gyroscope Co., Inc.)						1	ab
-20	661850	. . .	Mount - Amplifier (Sperry Gyroscope Co., Inc.)						1	ab
ATTACHING PARTS										
-21	AN4-5A	. . .	Bolt						16	ab
-22	110708-1	. . .	Support Assembly						1	ab
-23	110748	. . .	Valve and Support Installation - Flux						1	ab
-24	656520	. . .	Valve - Flux (Sperry Gyroscope Co., Inc.)						1	ab
ATTACHING PARTS										
-25	AN515DD6-8	. . .	Screw						3	ab

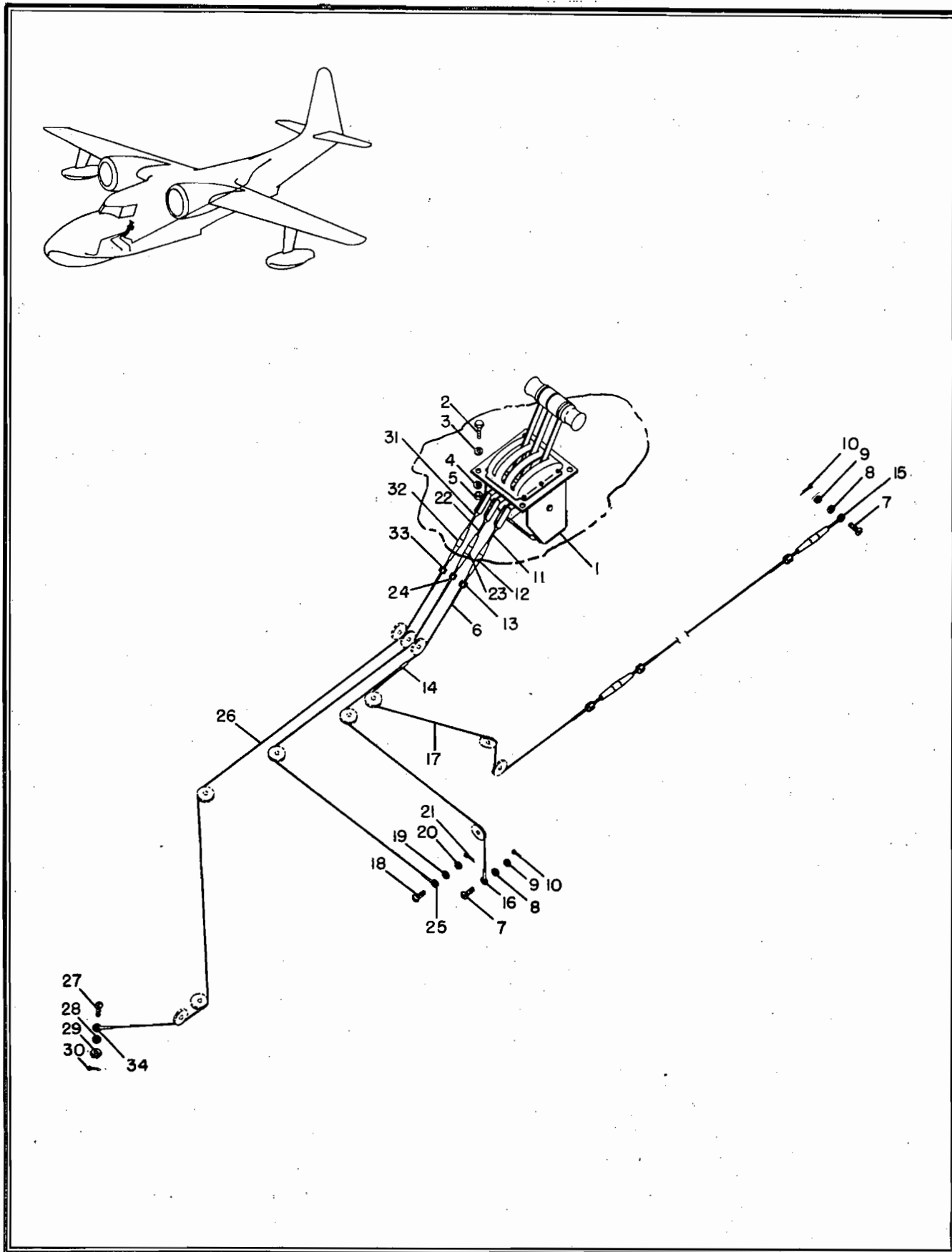


Figure 182—Automatic Pilot Engaging Control Installation



Figure & Index No.	Part No.	Nomenclature							Units Per Assy	Usage Code
		1	2	3	4	5	6	7		
HULL (Cont)										
Automatic Pilot Installation (Cont)										
181-26	AN960A6L	. . .	Washer						3	ab
-27	110747	. . .	Support Assembly						1	ab
-28	110703	. .	Controller and Support Installation - Pedestal (See Fig. 187)						1	ab
Automatic Pilot Engaging Control Installation										
182-	110707	. .	Control Installation - Automatic pilot engaging (See Fig. 181-1)						Ref	ab
-1	659657	. . .	Control - Engaging (Sperry Gyroscope Co., Inc.)						1	ab
ATTACHING PARTS										
-2	AN4-6A	. . .	Bolt						4	ab
-3	AN960-416L	. . .	Washer						4	ab
-4	AN960D416	. . .	Washer						4	ab
-5	AN365-428	. . .	Nut						4	ab
-6	110744-1	. . .	Cable Assembly - Elevator and elevator trim tab (iap)						1	ab
ATTACHING PARTS										
-7	AN23-9	Bolt						2	ab
-8	AN960-10	Washer						2	ab
-9	AN320-3	Nut						2	ab
-10	AN380C2-2	Cotter						2	ab
-11	AN165-8S	Eye - Turnbuckle						1	ab
-12	AN155-8S	Barrel - Turnbuckle						3	ab
-13	AN669S2LH	Terminal - Turnbuckle						4	ab
-14	RA2610-2	Sleeve (American Chain & Cable Co.)						1	ab
-15	AN161-8RS	Fork - Turnbuckle						1	ab
-16	AN668-2	Terminal - Eye end						1	ab
-17	110744-2	. . .	Cable Assembly - Aileron (iap)						1	ab
ATTACHING PARTS										
-18	AN23-9	Bolt						1	ab
-19	AN960-10	Washer						1	ab
-20	AN320-3	Nut						1	ab
-21	AN380C2-2	Cotter						1	ab
-22	AN165-8S	Eye - Turnbuckle						1	ab
-23	AN155-8S	Barrel - Turnbuckle						1	ab
-24	AN669S2LH	Terminal - Turnbuckle						1	ab
-25	AN668-2	Terminal - Eye end						1	ab
-26	110744-3	. . .	Cable Assembly - Rudder (iap)						1	ab
ATTACHING PARTS										
-27	AN23-9	Bolt						1	ab
-28	AN960-10	Washer						1	ab
-29	AN320-3	Nut						1	ab

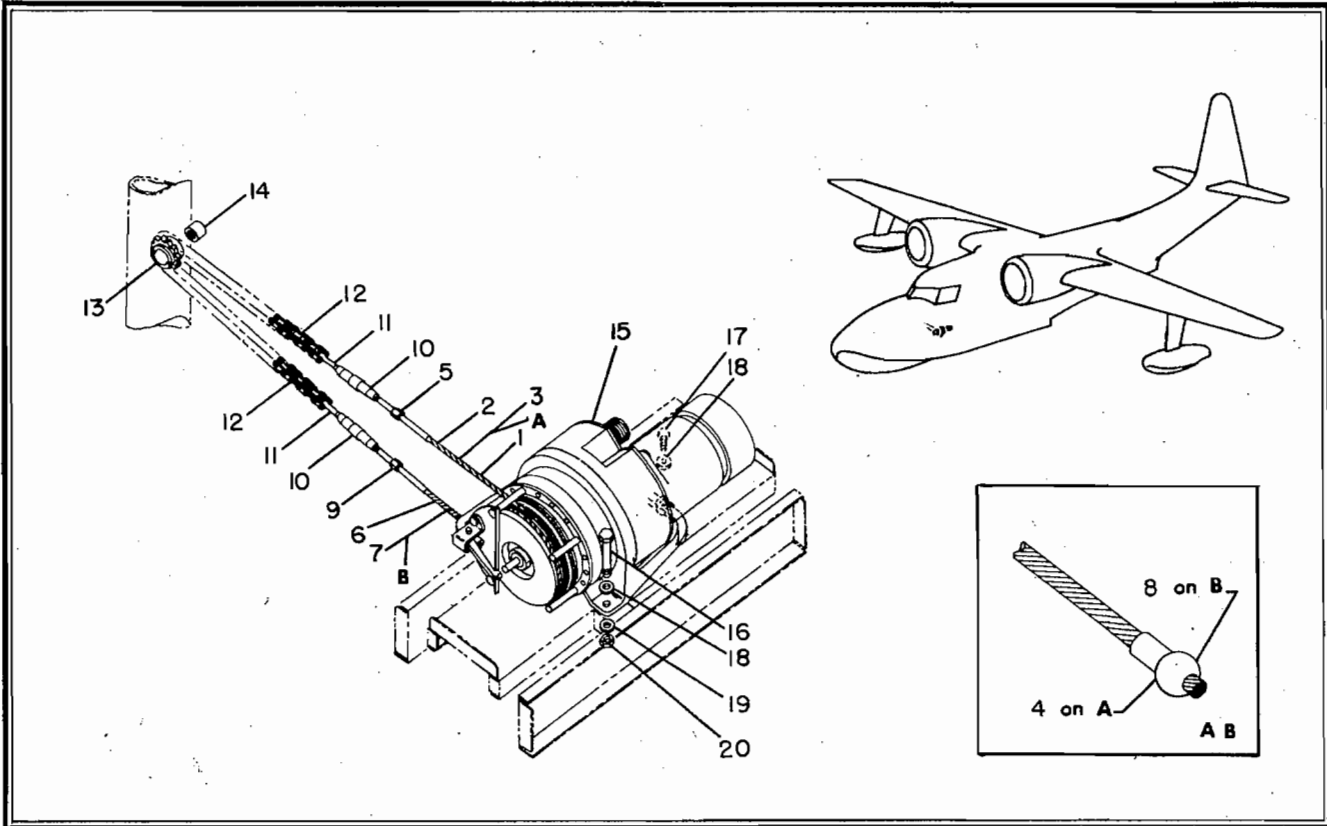


Figure 183—Automatic Pilot Aileron Servo Installation

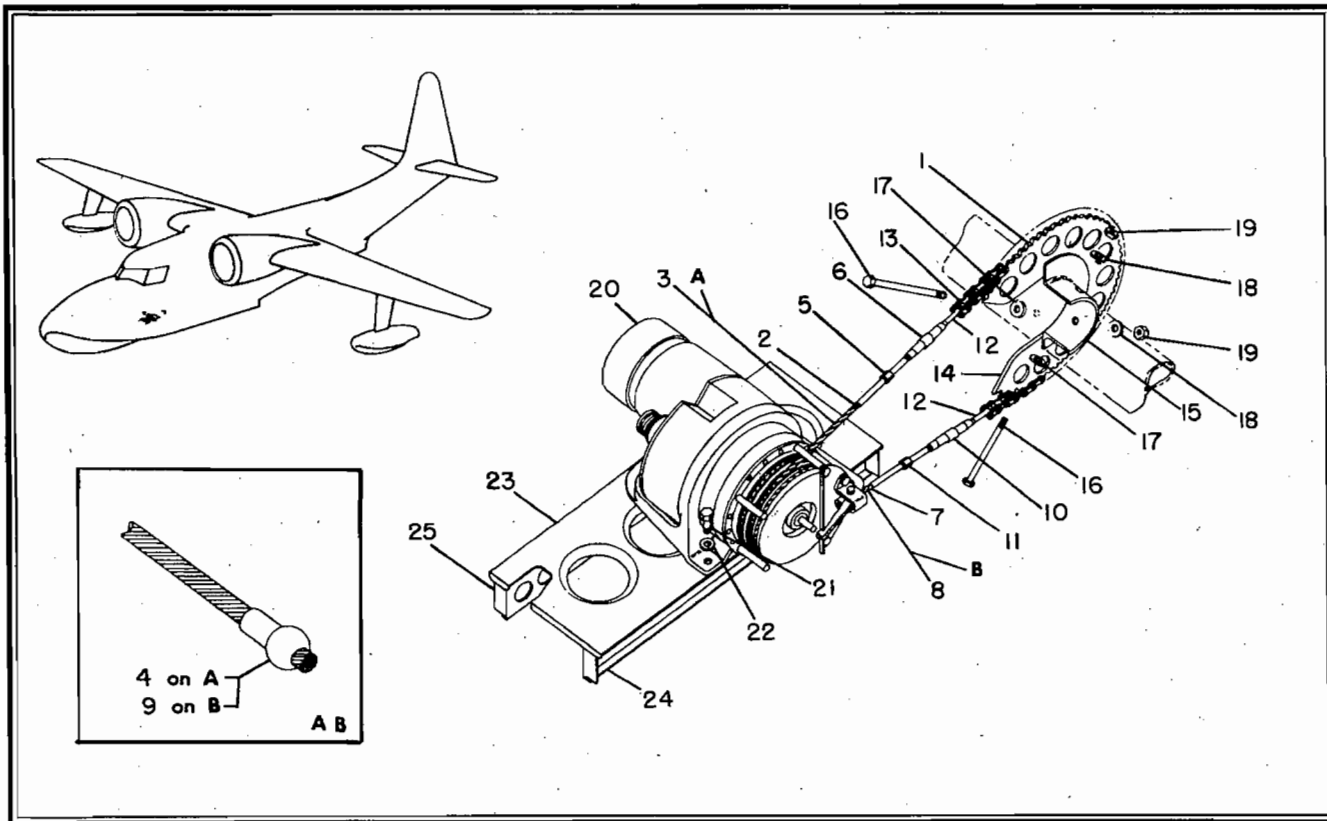


Figure 184—Automatic Pilot Elevator Servo Installation



Figure & Index No.	Part No.	Nomenclature	1 2 3 4 5 6 7	Units Per Assy	Usage Code
-----------------------	----------	--------------	---------------	-------------------	---------------

HULL (Cont)

Automatic Pilot Engaging Control Installation (Cont)

182-30	AN380C2-2 Cotter		1	ab
-31	AN165-8S Eye - Terminal		1	ab
-32	AN155-8S Barrel - Turnbuckle		1	ab
-33	AN669S2LH Terminal - Turnbuckle		1	ab
-34	AN668-2 Terminal - Eye end		1	ab

Automatic Pilot Aileron Servo Installation

183-	110706	. . Servo Installation - Automatic pilot aileron (See Fig. 181-10)		Ref	ab
-1	110726	. . . Chain and Cable Assembly		1	ab
-2	110726-1 Cable Assembly		1	ab
-3	110726-3 Cable		1	ab
-4	RA2490-4 Terminal - Ball (American Chain & Cable Co.)		1	ab
-5	AN669S4LH Terminal - Turnbuckle		1	ab
-6	110726-2 Cable Assembly		1	ab
-7	110726-4 Cable		1	ab
-8	RA2490-4 Terminal - Ball (American Chain & Cable Co.)		1	ab
-9	AN669S4LH Terminal - Turnbuckle		1	ab
-10	AN155-32S Barrel - Turnbuckle		2	ab
-11	EY-35RH Fitting (Baldwin-Duckworth Division, Chain Belt Co.)		2	ab
-12	110726-5 Chain		1	ab
-13	110725	. . . Sprocket		1	ab
-14	B78X	. . . Bearing - Sprocket (The Torrington Co.)		1	ab
-15	656542	. . . Unit - Servo (Sperry Gyroscope Co., Inc.)		1	ab
ATTACHING PARTS					
-16	AN5-16A	. . . Bolt		2	ab
-17	AN5-11A	. . . Bolt		1	ab
-18	AN960A516L	. . . Washer		3	ab
-19	AN960A516	. . . Washer		2	ab
-20	AN365-524	. . . Nut		2	ab

Automatic Pilot Elevator Servo Installation

184-	110735	. . Servo Installation - Automatic pilot elevator (See Fig. 181-11)		Ref	ab
-1	110736	. . . Chain and Cable Assembly		1	ab
-2	110736-1 Cable Assembly		1	ab
-3	110736-3 Cable		1	ab
-4	RA2490-4 Terminal - Ball (American Chain & Cable Co.)		1	ab
-5	AN669S4LH Terminal - Turnbuckle		1	ab
-6	AN155-32S Barrel - Turnbuckle		1	ab
-7	110736-2 Cable Assembly		1	ab
-8	110736-4 Cable		1	ab

Section II
Group Assembly Parts List

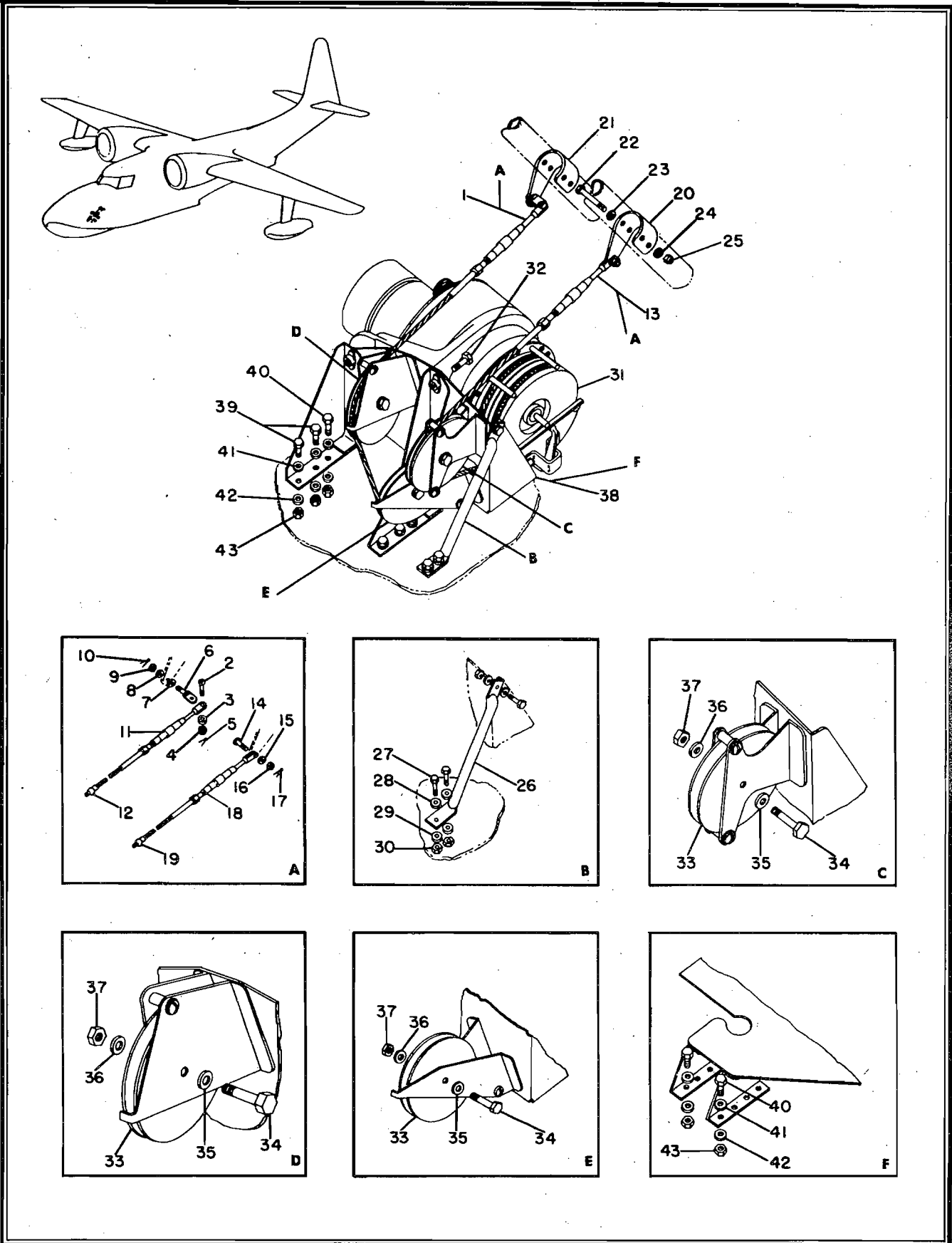


Figure 185—Automatic Pilot Rudder Servo Installation



Figure & Index No.	Part No.	Nomenclature 1 2 3 4 5 6 7	Units Per Assy	Usage Code
-----------------------	----------	-------------------------------	-------------------	---------------

HULL (Cont)

Automatic Pilot Elevator Servo Installation (Cont)

184-9	RA2490-4 Terminal - Ball (American Chain & Cable Co.)	1	ab
-10	AN669S4LH Terminal - Turnbuckle	1	ab
-11	AN155-32S Barrel - Turnbuckle	1	ab
-12	EY-35RH Fitting	2	ab
-13	110736-5 Chain	1	ab
-14	110738 Sprocket	1	ab
-15	110733 Collar (iap)	1	ab
		ATTACHING PARTS		
-16	AN4-32A Bolt	2	ab
-17	AN960D416L Washer	2	ab
-18	AN960D416 Washer	2	ab
-19	AN365-428 Nut	2	ab
-20	656542-141 Unit - Servo (Sperry Gyroscope Co., Inc.)	1	ab
		ATTACHING PARTS		
-21	AN5-6A Bolt	3	ab
-22	AN960D516L Washer	3	ab
-23	110737-5 Plate - Servo unit support	1	ab
-24	110737-2 Channel Assembly - Servo unit support	1	ab
-25	110737-1 Channel Assembly - Servo unit support	1	ab

Automatic Pilot Rudder Servo Installation

185-	110704	. . Servo Installation - Automatic pilot rudder (See Fig. 181-12)	Ref	ab
-1	110721-1 Cable Assembly (iap)	1	ab
		ATTACHING PARTS		
-2	AN23-11 Bolt	1	ab
-3	AN960-10 Washer	1	ab
-4	AN320-10 Nut	1	ab
-5	AN380C2-2 Cotter	1	ab
-6	AN42-5 Bolt - Eye	1	ab
-7	AN960A10L Washer	1	ab
-8	AN960D10 Washer	1	ab
-9	AN310-3 Nut	1	ab
-10	AN380C2-2 Cotter	1	ab
-11	AN146-22S Turnbuckle	1	ab
-12	RA2490-4 Terminal - Ball (American Chain & Cable Co.)	1	ab
-13	110721-2 Cable Assembly (iap)	1	ab
		ATTACHING PARTS		
-14	AN23-11 Bolt	1	ab
-15	AN960-10 Washer	1	ab
-16	AN320-10 Nut	1	ab
-17	AN380C2-2 Cotter	1	ab
-18	AN146-22S Turnbuckle	1	ab
-19	RA2490-4 Terminal - Ball (American Chain & Cable Co.)	1	ab
-20	110722-1 Link - Cable pick-up left (iap)	1	ab
-21	110722-2 Link - Cable pick-up right (iap)	1	ab
		ATTACHING PARTS		
-22	AN23-29A Bolt	2	ab

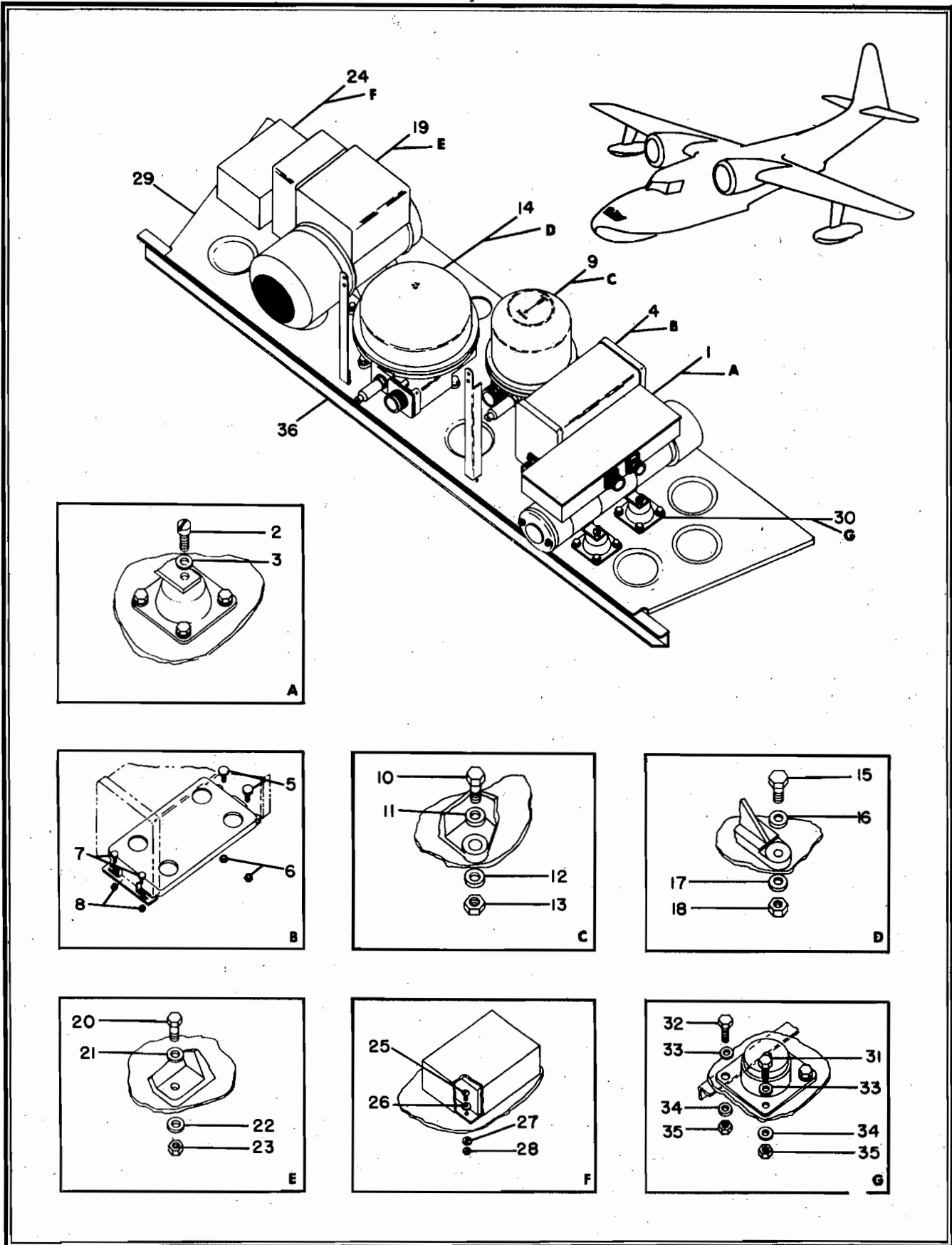


Figure 186—Automatic Pilot Forward Equipment Shelf Installation



Figure & Index No.	Part No.	Nomenclature 1 2 3 4 5 6 7	Units Per Assy	Usage Code
HULL (Cont)				
Automatic Pilot Rudder Servo Installation (Cont)				
185-23	AN960A10L Washer	2	ab
-24	AN960A10 Washer	2	ab
-25	AN364-1032 Nut	2	ab
-26	110750-1 Tube Assembly - Servo support brace (iap)	1	ab
ATTACHING PARTS				
-27	AN3-5A Bolt	3	ab
-28	AN960A10L Washer	3	ab
-29	AN960A10 Washer	3	ab
-30	AN365-1032 Nut	3	ab
-31	656542 Unit - Rudder servo (Sperry Gyroscope Co., Inc.)	1	ab
ATTACHING PARTS				
-32	AN5-6A Bolt	3	ab
-33	AN210-4A Pulley	3	ab
ATTACHING PARTS				
-34	AN4-10A Bolt	1	ab
-35	AN960A416L Washer	1	ab
-36	AN960A416 Washer	1	ab
-37	AN365-428 Nut	1	ab
-38	110720 Support Assembly - Servo (iap)	1	ab
ATTACHING PARTS				
-39	AN3-4A Bolt	4	ab
-40	AN3-5A Bolt	10	ab
-41	AN960A10L Washer	14	ab
-42	AN960A10 Washer	14	ab
-43	AN365-1032 Nut	14	ab
Automatic Pilot Forward Equipment Shelf Installation				
186-	110701	. . . Shelf Installation - Automatic pilot forward equipment (See Fig. 181-17)	Ref	ab
-1	656541	. . . Control - Servo (Sperry Gyroscope Co., Inc.)	1	ab
ATTACHING PARTS				
-2	AN503-416-10	. . . Screw	4	ab
-3	AN960D416	. . . Washer	4	ab
-4	661953	. . . Amplifier - Gyrosyn repeater (Sperry Gyroscope Co., Inc.)	1	ab
ATTACHING PARTS				
-5	254370	. . . Stud (Sperry Gyroscope Co., Inc.)	2	ab
-6	AN365-1032	. . . Nut	2	ab
-7	187873	. . . Stud (Sperry Gyroscope Co., Inc.)	2	ab
-8	AN365-632	. . . Nut	2	ab
-9	656519	. . . Control - Gyrosyn compass (Sperry Gyroscope Co., Inc.)	1	ab
ATTACHING PARTS				
-10	AN4-5A	. . . Bolt	3	ab

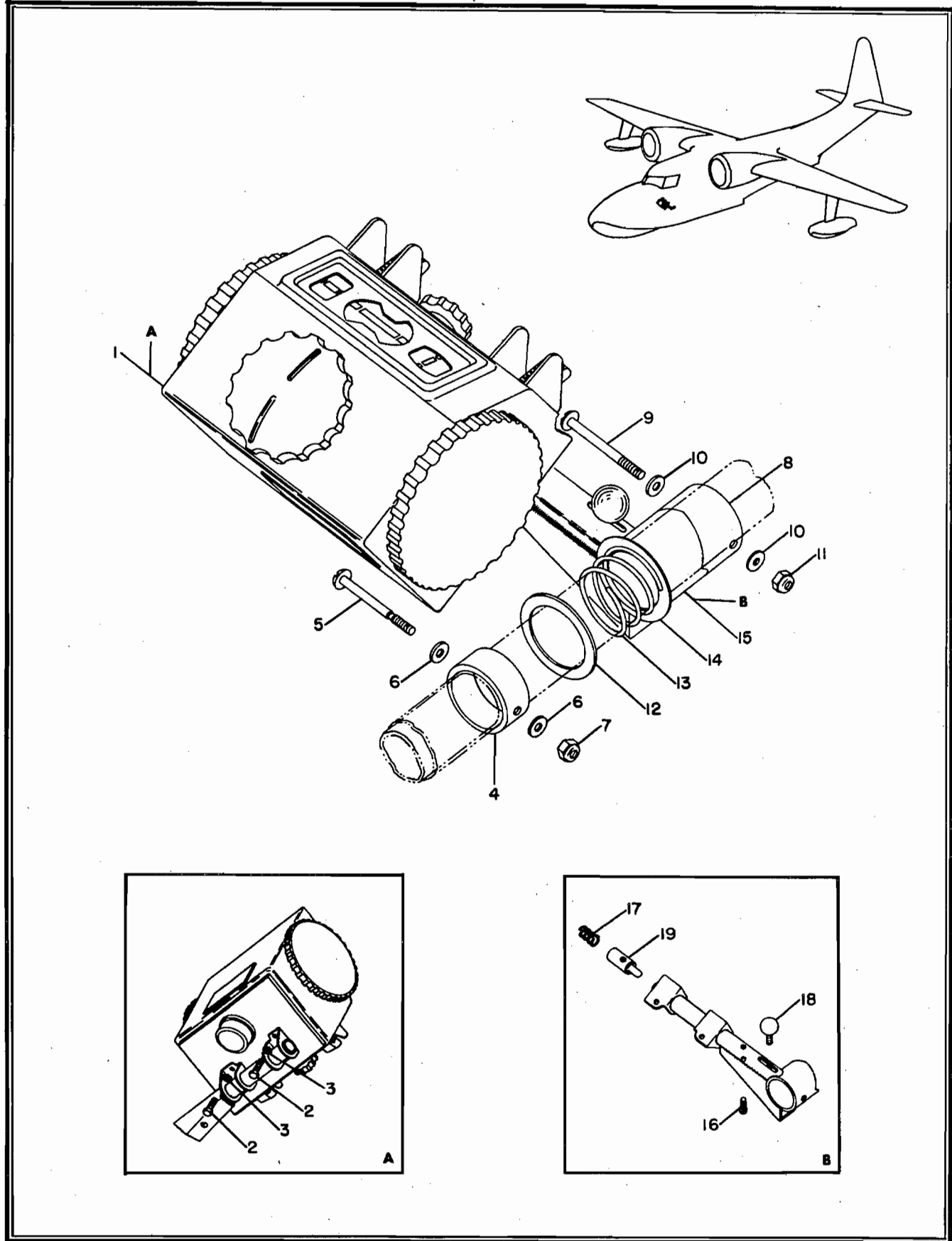


Figure 187—Automatic Pilot Pedestal Controller and Support Installation



Figure & Index No.	Part No.	Nomenclature	1 2 3 4 5 6 7	Units Per Assy	Usage Code
-----------------------	----------	--------------	---------------	-------------------	---------------

HULL (Cont)

Automatic Pilot Forward Equipment Shelf Installation (Cont)

186-11	AN960A416L	. . . Washer		3	ab
-12	AN960D416	. . . Washer		3	ab
-13	AN365-428	. . . Nut		3	ab
-14	656518	. . . Gyro - Vertical (Sperry Gyroscope Co., Inc.)		1	ab
		ATTACHING PARTS			
-15	AN4-5A	. . . Bolt		3	ab
-16	AN960A416L	. . . Washer		3	ab
-17	AN960D416	. . . Washer		3	ab
-18	AN365-428	. . . Nut		3	ab
-19	708174	. . . Inverter (Sperry Gyroscope Co., Inc.)		1	ab
		ATTACHING PARTS			
-20	AN3-6A	. . . Bolt		4	ab
-21	AN960A10L	. . . Washer		4	ab
-22	AN960A10	. . . Washer		4	ab
-23	AN365-1032	. . . Nut		4	ab
-24	661102	. . . Adapter - Phase (Sperry Gyroscope Co., Inc.)		1	ab
		ATTACHING PARTS			
-25	AN510-10-8	. . . Screw		4	ab
-26	AN960A10L	. . . Washer		4	ab
-27	AN960D10	. . . Washer		4	ab
-28	AN365-1032	. . . Nut		4	ab
-29	110701-1	. . . Shelf Assembly		1	ab
-30	AN8008D30 Mount - Shock		4	ab
		ATTACHING PARTS			
-31	AN3-4A Bolt		8	ab
-32	AN3-5A Bolt		8	ab
-33	AN960A10L Washer		16	ab
-34	AN960D10 Washer		16	ab
-35	AN365-1032 Nut		16	ab
-36	110701-4	. . . Support		1	ab
-37	110701-5L	. . . Support L.H.		1	ab
-38	110701-5R	. . . Support R.H.		1	ab

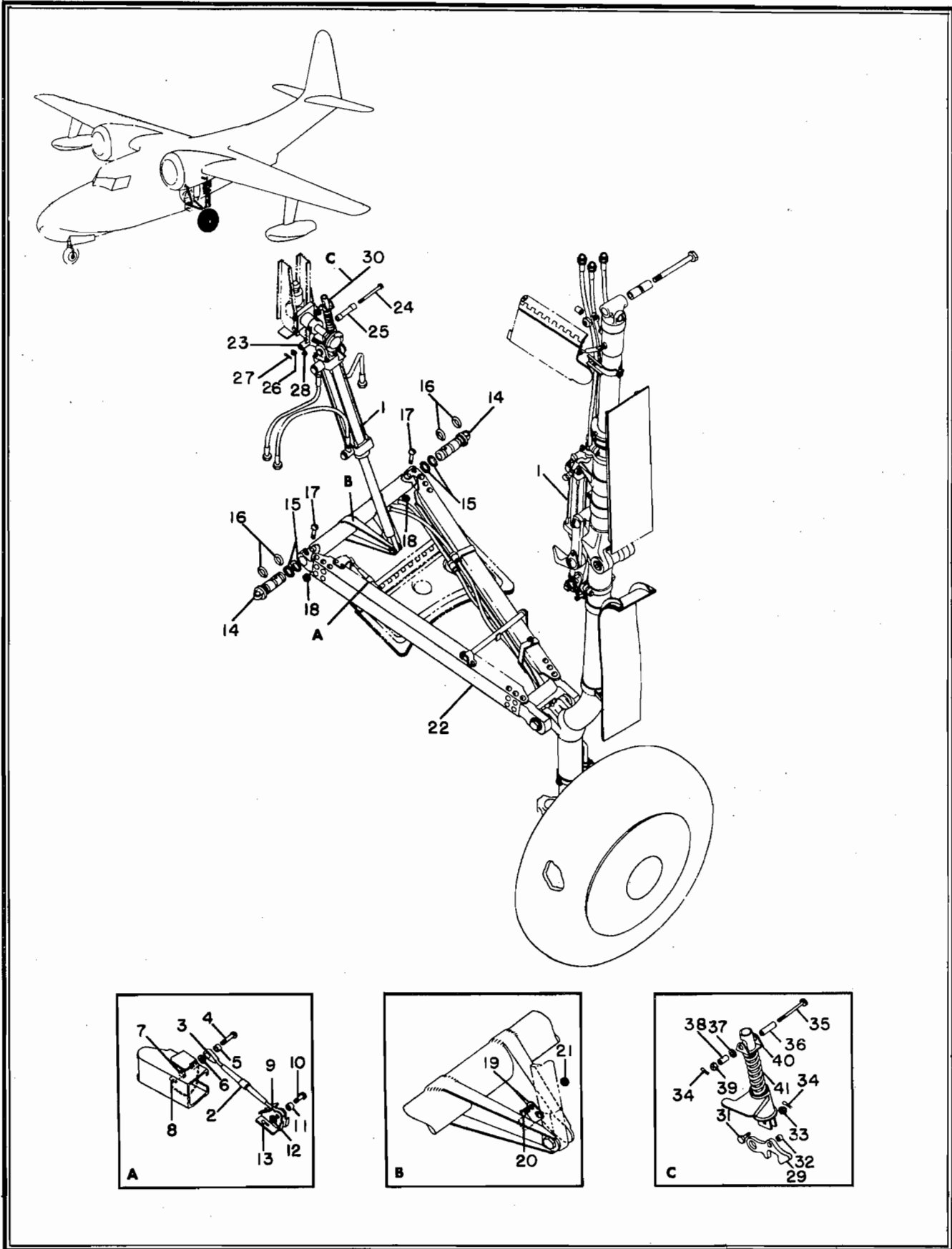


Figure 188—Main Wheel Installation (See Fig. 189)



Figure & Index No.	Part No.	Nomenclature 1 2 3 4 5 6 7	Units Per Assy	Usage Code
-----------------------	----------	-------------------------------	-------------------	---------------

HULL (Cont)

Automatic Pilot Pedestal Controller and Support Installation

187-	110703	. . . Controller and Support Installation - Automatic pilot pedestal (See Fig. 181-28)	Ref	ab
-1	656536	. . . Controller - Pedestal (Sperry Gyroscope Co., Inc.)	1	ab
		ATTACHING PARTS		
-2	AN3-5A	. . . Bolt	2	ab
-3	AN960-10	. . . Washer	2	ab
-4	110710-2	. . . Collar (iap)	1	ab
		ATTACHING PARTS		
-5	AN23-28A Bolt	1	ab
-6	AN960A10L Washer	2	ab
-7	AN365-1032 Nut	1	ab
-8	110710-1	. . . Collar - Serrated (iap)	1	ab
		ATTACHING PARTS		
-9	AN23-28A Bolt	1	ab
-10	AN960A10L Washer	2	ab
-11	AN365-1032 Nut	1	ab
-12	110731	. . . Washer	1	ab
-13	G101-234	. . . Spring	1	ab
-14	110731	. . . Washer	1	ab
-15	110710-3	. . . Arm Assembly	1	ab
-16	AN515-6-10 Screw	1	ab
-17	G101-12	. . . Spring - Lock	1	ab
-18	110711-2	. . . Knob - Lock	1	ab
-19	110711-1	. . . Slide - Lock	1	ab

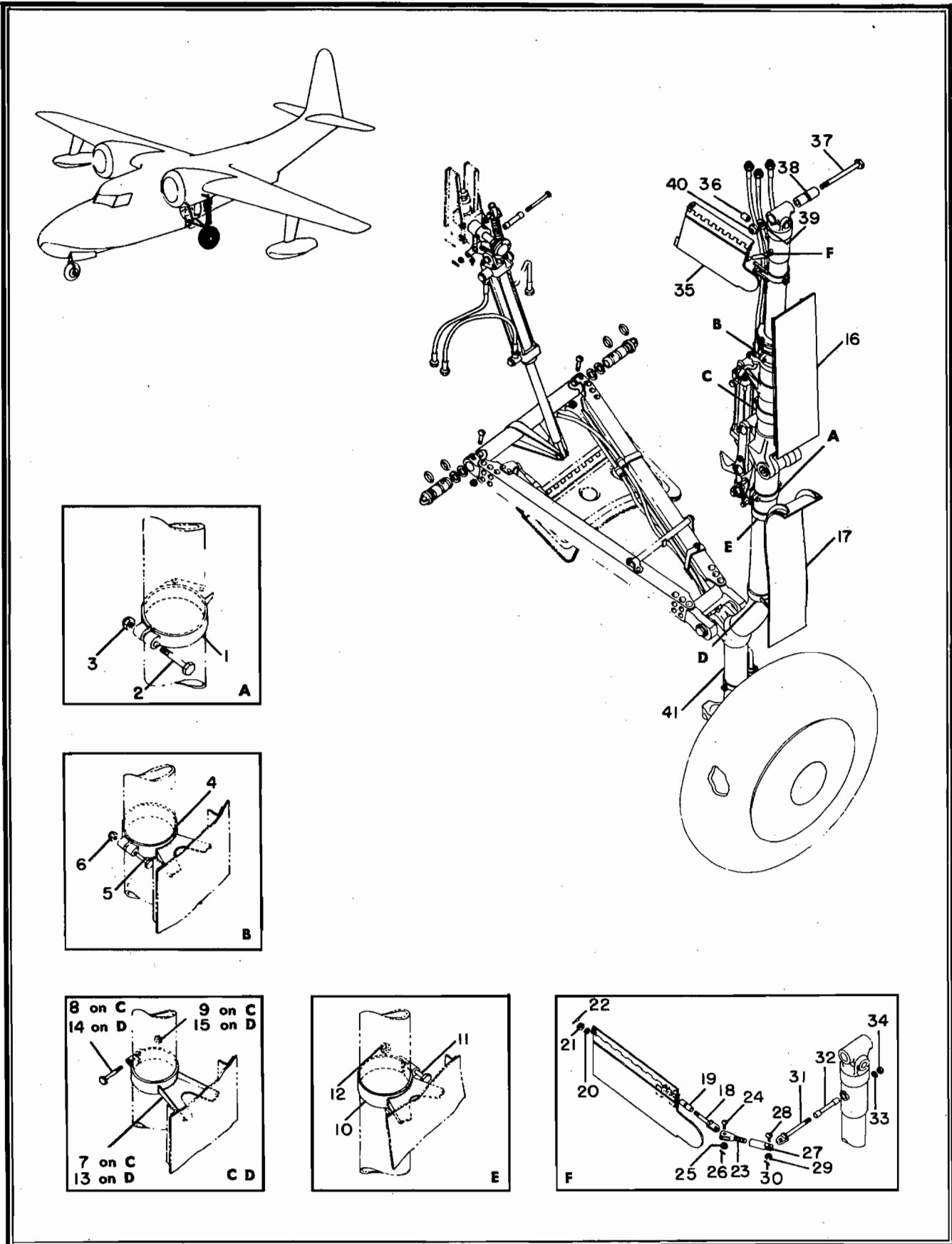


Figure 189—Main Wheel Installation (See Fig. 188)



Section II
Group Assembly Parts List

Figure & Index No.	Part No.	Nomenclature							Units Per Assy	Usage Code
		1	2	3	4	5	6	7		
ALIGHTING GEAR										
Main Wheel Installation										
188-	108001L	Wheel Installation - Main L.H.							1	All
	108001R	Wheel Installation - Main R.H.							1	All
-1	109516L	. Hydraulics - Main wheel (See Fig. 190)							(L.H.)	All
	109516R	. Hydraulics - Main wheel (See Fig. 190)							(R.H.)	All
-2	AN155-32L	. Barrel - Turnbuckle							1	All
-3	112530	. Eye (iap)							1	All
ATTACHING PARTS										
-4	AN24-18	. . Bolt							1	All
-5	112539	. . Bushing							1	All
-6	AN960-416	. . Washer							1	All
-7	AN320-4	. . Nut							1	All
-8	AN380C2-2	. . Cotter							1	All
-9	112532	. Eye (iap)							1	All
ATTACHING PARTS										
-10	AN24-11	. . Bolt							1	All
-11	112539	. . Bushing							1	All
-12	AN320-4	. . Nut							1	All
-13	AN380C2-2	. . Cotter							1	All
-14	112508	. Pin							2	All
-15	G325-20B	. Shim							AR	All
-16	AN6227-19	. Packing - "O" Ring							4	All
-17	AN26-32	. Bolt							2	All
-18	AN364-624	. Nut							2	All
-19	108026-5L	. Clip L.H. (iap)							(L.H.)	All
	108026-5R	. Clip R.H. (iap)							(R.H.)	All
ATTACHING PARTS										
-20	AN520-10-8	. . Screw							2	All
-21	AN365-1032	. . Nut							2	All
-22	108007L	. Link Assembly - Main wheel drag L.H. (iap) (See Fig. 196)							(L.H.)	All
	108007R	. Link Assembly - Main wheel drag R.H. (iap) (See Fig. 196)							(R.H.)	All
-23	108029	. Idler Assembly (iap)							1	All
ATTACHING PARTS										
-24	AN4-34	. . Bolt							1	All
-25	112507	. . Bushing							1	All
-26	AN310-4	. . Nut							1	All
-27	AN380C2-3	. . Cotter							1	All
-28	G39-3	. . Lubricator							1	All
-29	108028-1	. Lock							1	All
-30	108049-1L	. Cylinder - Uplock L.H. (iap)							(L.H.)	All
	108049-1R	. Cylinder - Uplock R.H. (iap)							(R.H.)	All
ATTACHING PARTS										
-31	AN3-5	. . Bolt							1	All
-32	112540	. . Bushing							1	All
-33	AN310-3	. . Nut							1	All
-34	AN380C2-2	. . Cotter							2	All
-35	AN3-21	. . Bolt							1	All
-36	G68-17	. . Bushing							1	All
-37	AN960-10	. . Washer							1	All
-38	G5-3-38	. . Tube - Spacer							1	All
-39	AN310-3	. . Nut							1	All
-40	108050-1	. . Channel							1	All

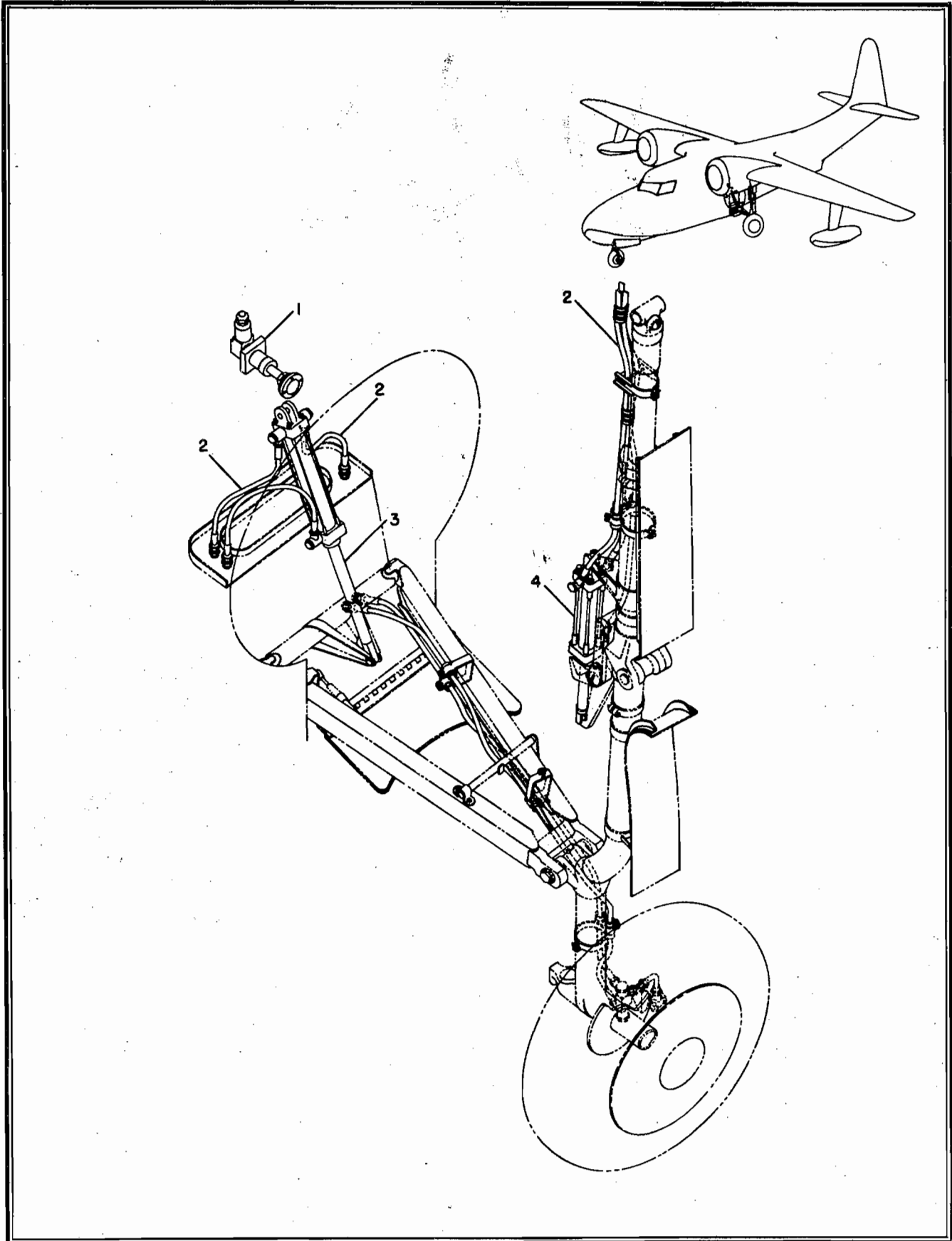


Figure 190—Main Wheel Hydraulics Installation



Section II
Group Assembly Parts List

Figure & Index No.	Part No.	Nomenclature 1 2 3 4 5 6 7	Units	Usage
			Per Assy	Code
ALIGHTING GEAR (Cont)				
Main Wheel Installation (Cont)				
188-41	G101-42	. . . Spring	1	All
-42	PD295	. Wheel and Brake Assembly - (Goodyear Tire and Rubber Co.) (See Fig. 197)	1	r
	PD295-1	. Wheel and Brake Assembly - (Goodyear Tire and Rubber Co.) (See Fig. 197)	1	s
-43	9.50-16	. Tire - 6 ply nylon (Goodyear Tire and Rubber Co.)	1	All
-44	9.50-16	. Tube - Regular (Goodyear Tire and Rubber Co.)	1	All
189-1	108040L	. Clamp - Downlock micro-switch L.H. (iap) (L.H.)	1	All
	108040R	. Clamp - Downlock micro-switch R.H. (iap) (R.H.)	1	All
ATTACHING PARTS				
-2	AN4-14A	. . . Bolt	1	All
-3	AN365-428	. . . Nut	1	All
-4	108045-1	. Clamp Assembly (iap)	1	All
ATTACHING PARTS				
-5	AN4-15A	. . . Bolt	1	All
-6	AN365-428	. . . Nut	1	All
-7	108045-2	. Clamp Assembly (iap)	1	All
ATTACHING PARTS				
-8	AN4-15A	. . . Bolt	1	All
-9	AN365-428	. . . Nut	1	All
-10	108045-3	. Clamp Assembly (iap)	1	All
ATTACHING PARTS				
-11	AN4-15A	. . . Bolt	1	All
-12	AN365-428	. . . Nut	1	All
-13	108045-4	. Clamp Assembly (iap)	1	All
ATTACHING PARTS				
-14	AN4-15A	. . . Bolt	1	All
-15	AN365-428	. . . Nut	1	All
-16	108035	. Fairing Assembly - Main wheel wing (iap) (See Fig. 198)	1	All
-17	108036L	. Fairing Assembly - Main wheel hull L.H. (iap) (See Fig. 199)	1	All
	108036R	. Fairing Assembly - Main wheel hull R.H. (iap) (See Fig. 199)	1	All
-18	112527	. Bolt - Eye	1	All
-19	G25-H5-106	. Bushing	1	All
-20	AN960-516	. Washer	1	All
-21	AN310-5	. Nut	1	All
-22	AN380C2-2	. Cotter	1	All
-23	112528	. Fork (iap)	1	All
ATTACHING PARTS				
-24	AN24-11	. . . Bolt	1	All
-25	AN320-4	. . . Nut	1	All
-26	AN380C2-2	. . . Cotter	1	All
-27	112529	. Fork (iap)	1	All
ATTACHING PARTS				
-28	AN24-11	. . . Bolt	1	All
-29	AN320-4	. . . Nut	1	All
-30	AN380C2-2	. . . Cotter	1	All
-31	AN44-31	. Bolt - Eye	1	All
-32	112523	. Bushing	1	All
-33	AN960-516	. Washer	1	All
-34	AN364-524	. Nut	1	All
-35	108033L	. Door Assembly - Wing L.H. (See Fig. 200) (L.H.)	1	All
	108033R	. Door Assembly - Wing R.H. (See Fig. 200) (R.H.)	1	All

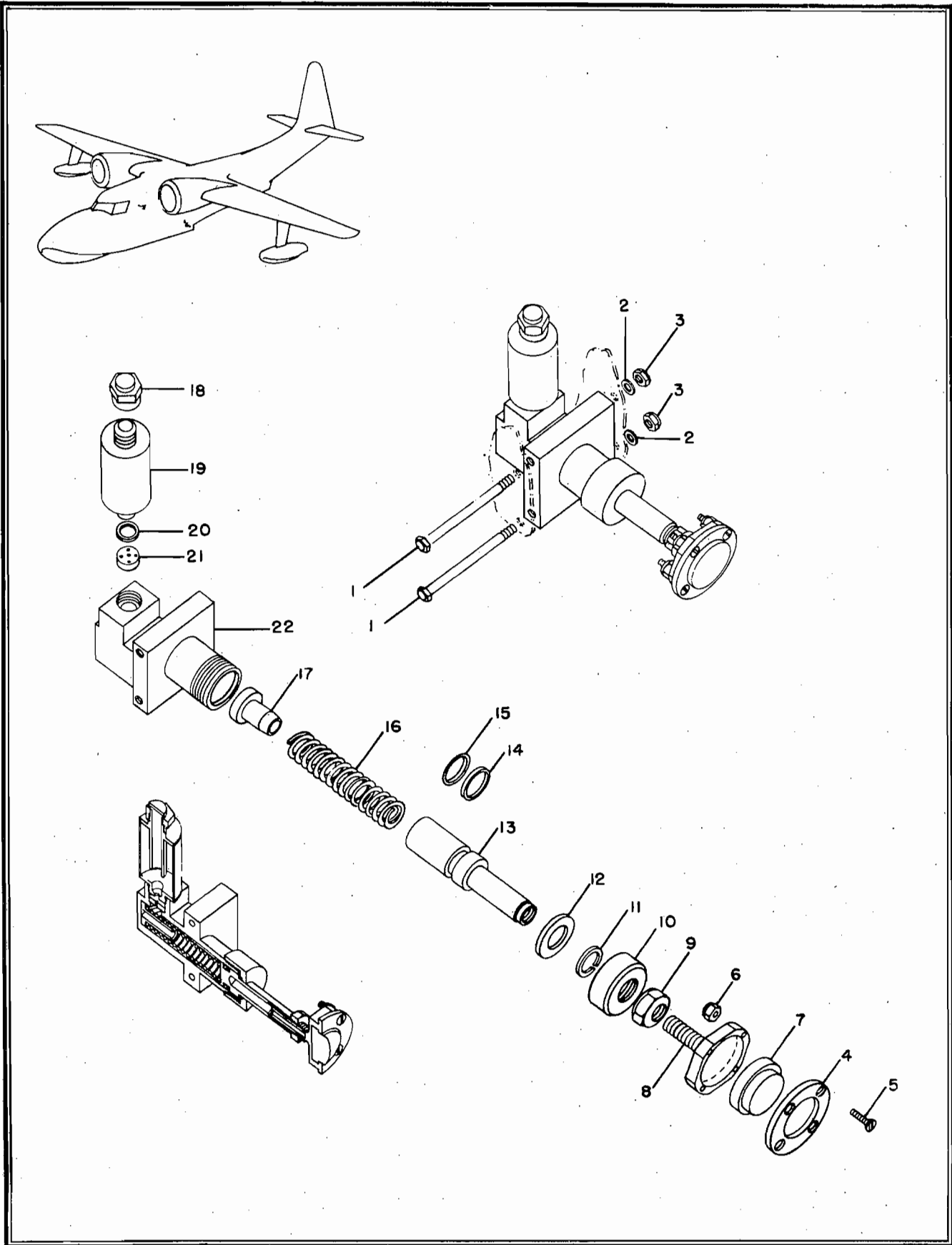


Figure 191—Main Wheel Dashpot Assembly



Figure & Index No.	Part No.	Nomenclature							Units Per Assy	Usage Code
		1	2	3	4	5	6	7		
ALIGHTING GEAR (Cont)										
Main Wheel Installation (Cont)										
189-36	108094	.							1	All
-37	AN10-50	.							1	All
-38	G25-H10-212	.							1	All
-39	AN960-1016	.							1	All
-40	AN365-1018	.							1	All
-41	69629	.							1	All
	69630	.							1	All
Main Wheel Hydraulics Installation										
190-	109516L	.							Ref	All
	109516R	.							Ref	All
-1	109571	.							1	All
-2	No Number	.								
	No Number	.							1	All
-3	109555	.							1	All
-4	109552	.							1	All
Main Wheel Dashpot Assembly										
191-	109571	.							Ref	All
-1	AN4-34A	.							2	All
-2	AN960D416L	.							2	All
-3	AN365-428	.							2	All
-4	112864	.							1	All
-5	AN505-8-12	.							4	All
-6	AN365-832	.							4	All
-7	112867	.							1	All
-8	112860	.							1	All
-9	AN316-9R	.							1	All
-10	112861	.							1	All
-11	AN6231-5	.							1	All
-12	112866	.							1	All

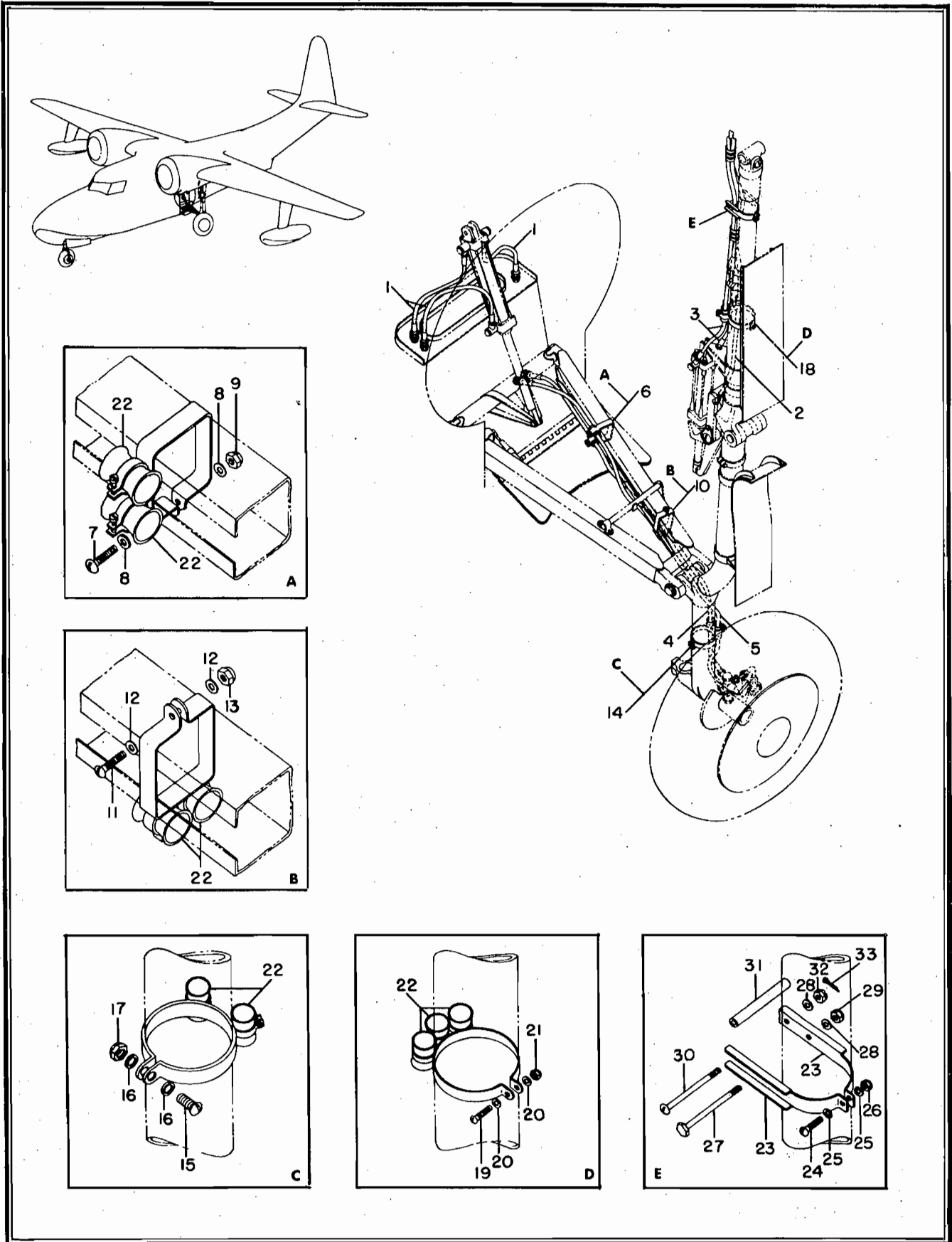


Figure 192—Main Wheel Hydraulic Lines Installation (See Fig. 193)



Section II
Group Assembly Parts List

Figure & Index No.	Part No.	Nomenclature	Units Per Assy	Usage Code
		1 2 3 4 5 6 7		
ALIGHTING GEAR (Cont)				
Main Wheel Dashpot Assembly (Cont)				
191-13	112859 Piston	1	All
-14	AN6246-17 Ring - Back-up	1	All
-15	AN6227-17 Packing - "O" Ring	1	All
-16	G101-215 Spring	1	All
-17	112862 Spacer	1	All
-18	AN820-8D Cap	1	All
-19	109531 Reservoir Assembly	1	All
-20	AN6227-9 Packing - "O" Ring	1	All
-21	112865 Restrictor	1	All
-22	112858 Body	1	All
Main Wheel Hydraulic Lines Installation				
192-	No Number	. . Lines Installation - Main wheel hydraulic L.H. (Reference Grumman drawing no. 109516) (See Fig. 190-2)	Ref	All
	No Number	. . Lines Installation - Main wheel hydraulic R.H. (Reference Grumman drawing no. 109516) (See Fig. 190-2)	Ref	All
-1	AN6260-6-16 Hose Assembly - Flexible	3	All
-2	AN6260-4-44 Hose Assembly - Flexible	1	All
-3	AN6260-4-34 Hose Assembly - Flexible	2	All
-4	AN6274-4-48 Hose Assembly - Flexible	1	All
-5	AN6260-4-50 Hose Assembly - Flexible	1	All
-6	112868-7 Clamp Assembly (iap)	1	All
ATTACHING PARTS				
-7	AN515-8-10 Screw	1	All
-8	AN960-8 Washer	2	All
-9	AN365-832 Nut	1	All
-10	112868-8 Clamp Assembly (iap)	1	All
ATTACHING PARTS				
-11	AN515-8-10 Screw	1	All
-12	AN960-8 Washer	2	All
-13	AN365-832 Nut	1	All
-14	112868-4 Clamp Assembly (iap)	1	All
ATTACHING PARTS				
-15	AN515-8-10 Screw	1	All
-16	AN960-8 Washer	2	All
-17	AN365-832 Nut	1	All
-18	112868-2 Clamp Assembly (iap)	1	All
ATTACHING PARTS				
-19	AN515-8-10 Screw	1	All
-20	AN960-8 Washer	2	All
-21	AN365-832 Nut	1	All
-22	112868-6 Sleeve	9	All
-23	112868-1 Clamp - Half	2	All
-24	AN515-8-10 Screw	1	All
-25	AN960-8 Washer	2	All
-26	AN365-832 Nut	1	All
-27	AN3-24A Bolt	1	All
-28	AN960-10 Washer	2	All

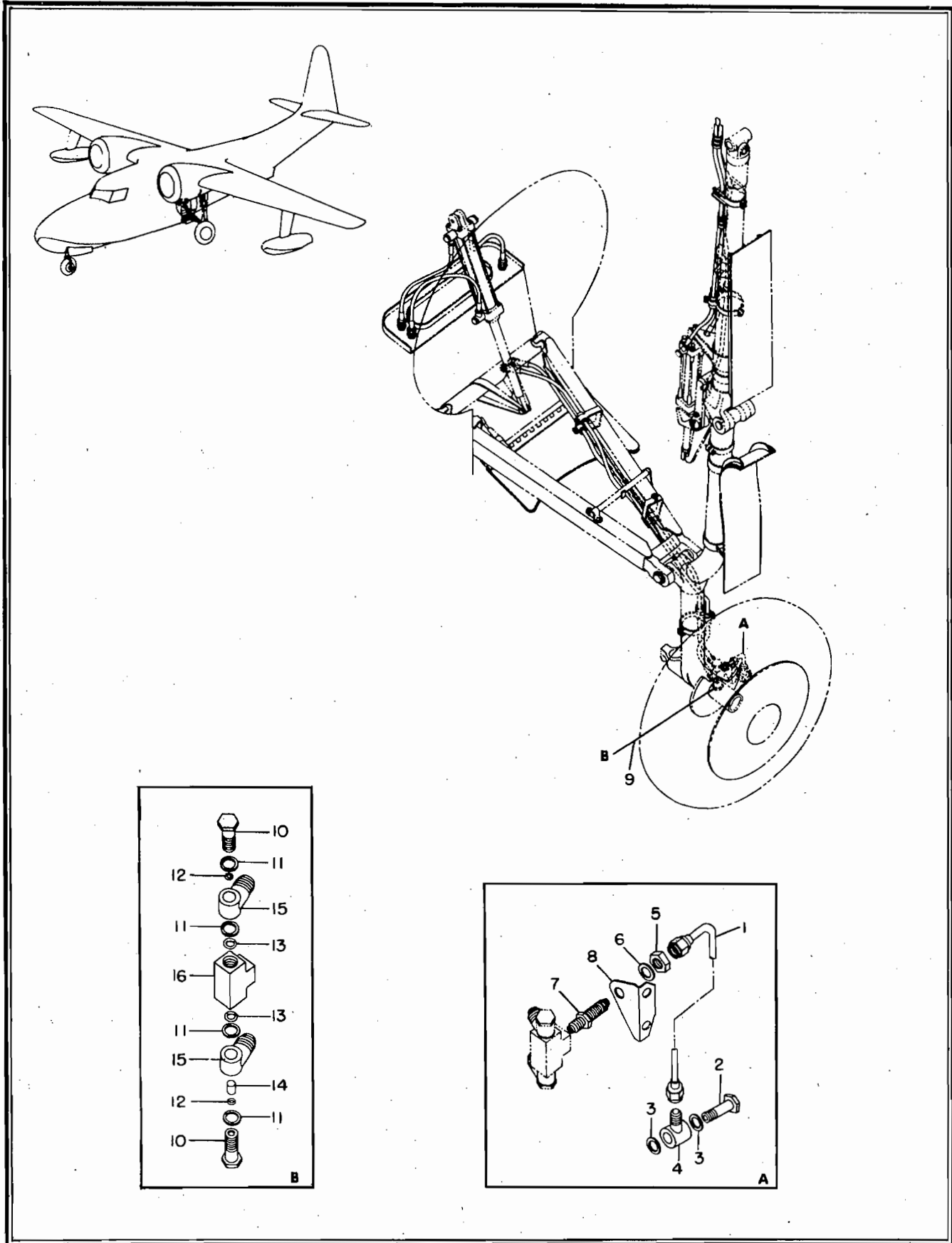


Figure 193—Main Wheel Hydraulic Lines Installation (See Fig. 192)



Section II
Group Assembly Parts List

Figure & Index No.	Part No.	Nomenclature							Units Per Assy	Usage Code	
		1	2	3	4	5	6	7			
ALIGHTING GEAR (Cont)											
Main Wheel Hydraulic Lines Installation (Cont)											
192-29	AN365-1032								1	All
-30	AN23-38								1	All
-31	G5-3-162								1	All
-32	AN310-3								1	All
-33	AN380C2-2								1	All
193-1	109500-78B-4L							(L.H.)	1	All
-1	109500-78B-4R							(R.H.)	1	All
-1	AN819-4Z								2	All
-1	AN818-4D								2	All
-2	AN775-4								1	All
-3	AN901-4C								2	All
-4	AN777-4								1	All
-5	AN924-4								1	All
-6	AN960-716								1	All
-7	AN832-4								1	All
-8	109605L							(L.H.)	1	All
	109605R							(R.H.)	1	All
-9	109562								1	All
-10	112813								2	All
-11	AN901-4C								4	All
-12	AN6227-3								2	All
-13	AN6227-7								2	All
-14	112847								1	All
-15	AN778-4D								2	All
-16	112848								1	All

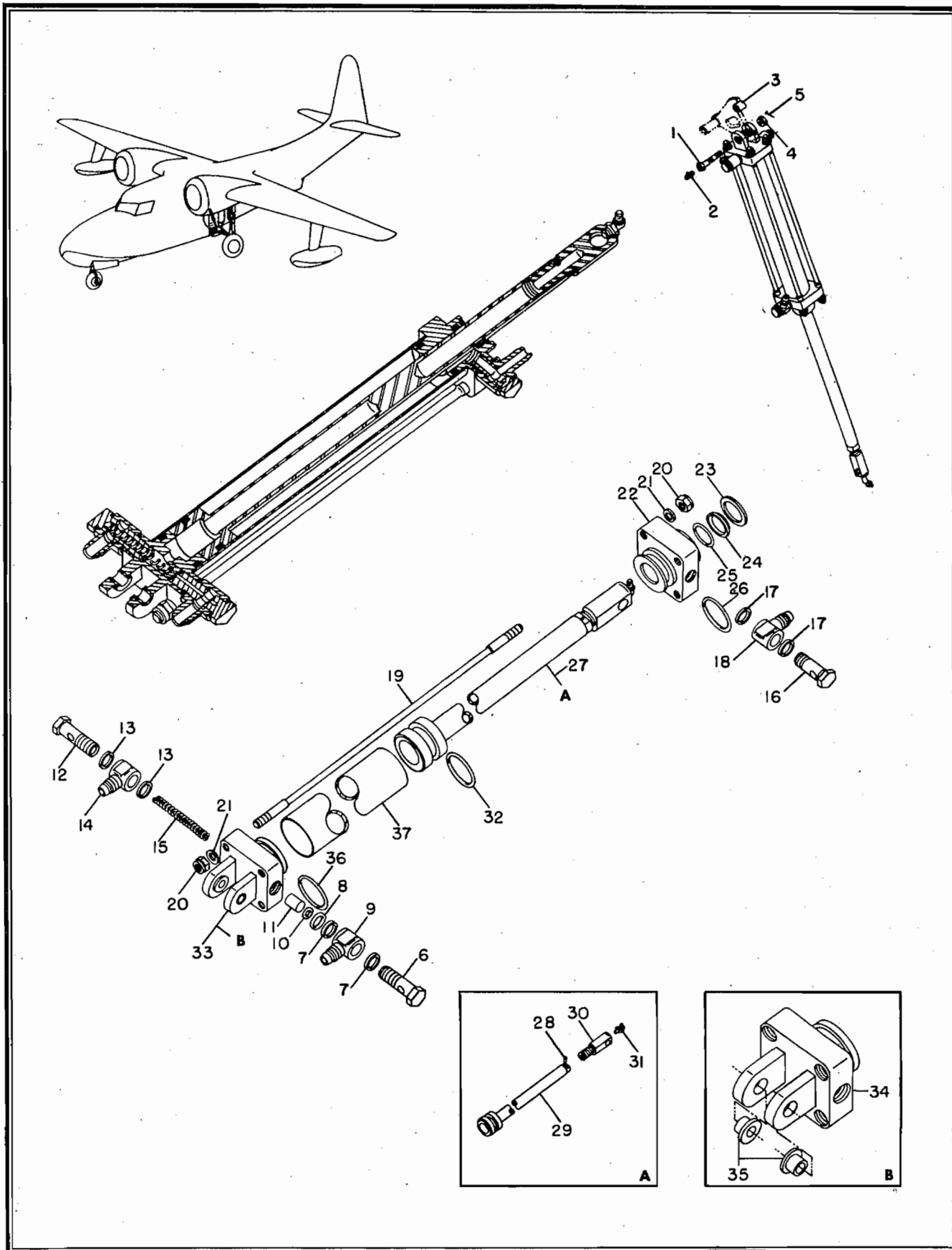


Figure 194—Main Wheel Hydraulic Retracting Cylinder Assembly



Figure &
Index No.

Part No.

Nomenclature
1 2 3 4 5 6 7

Units Usage
Per Assy Code

ALIGHTING GEAR (Cont)

Main Wheel Hydraulic Retracting Cylinder Assembly

Figure & Index No.	Part No.	Nomenclature	Units Per Assy	Usage Code
194-	109555	. . . Cylinder Assembly - Main wheel hydraulic retracting (iap) (See Fig. 190-3)	Ref	All
		ATTACHING PARTS		
-1	112510	. . . Bolt	1	All
-2	G39-3 Lubricator	1	All
-3	112509	. . . Bushing	1	All
-4	AN310-6	. . . Nut	1	All
-5	AN380C3-3	. . . Cotter	1	All
-6	112832	. . . Bolt	1	All
-7	AN901-6C	. . . Gasket	2	All
-8	AN6227-7	. . . Packing - "O" Ring	1	All
-9	AN776-6D	. . . Elbow - Universal 90°	1	All
-10	AN6227-5	. . . Packing - "O" Ring	1	All
-11	112830	. . . Shuttle	1	All
-12	112831	. . . Bolt	1	All
-13	AN901-6C	. . . Gasket	2	All
-14	AN776-6D	. . . Elbow - Universal 90°	1	All
-15	G101-205	. . . Spring	1	All
-16	AN775-6	. . . Bolt - Universal fitting	1	All
-17	AN901-6C	. . . Gasket	2	All
-18	AN776-6D	. . . Elbow - Universal 90°	1	All
-19	39355-6	. . . Rod - Tie	4	All
-20	AN365-524	. . . Nut	8	All
-21	AN960-516	. . . Washer	8	All
-22	112825	. . . Fitting	1	All
-23	109579	. . . Retainer	1	All
-24	AN6231-9	. . . Wiper	1	All
-25	AN6227-19	. . . Packing - "O" Ring	1	All
-26	AN6227-28	. . . Packing - "O" Ring	1	All
-27	109580	. . . Piston Assembly	1	All
-28	Type #1 3/32 D. x 1/4 Pin (Groov-Pin Corp.)	1	All
-29	112826 Piston	1	All
-30	112829 Terminal	1	All
-31	NAS2-301 Lubricator	1	All
-32	AN6227-28	. . . Packing - "O" Ring	1	All
-33	109581	. . . Fitting Assembly	1	All
-34	112828 Fitting	1	All
-35	G27-6-10 Bushing	2	All
-36	AN6227-28	. . . Packing - "O" Ring	1	All
-37	112827	. . . Body	1	All

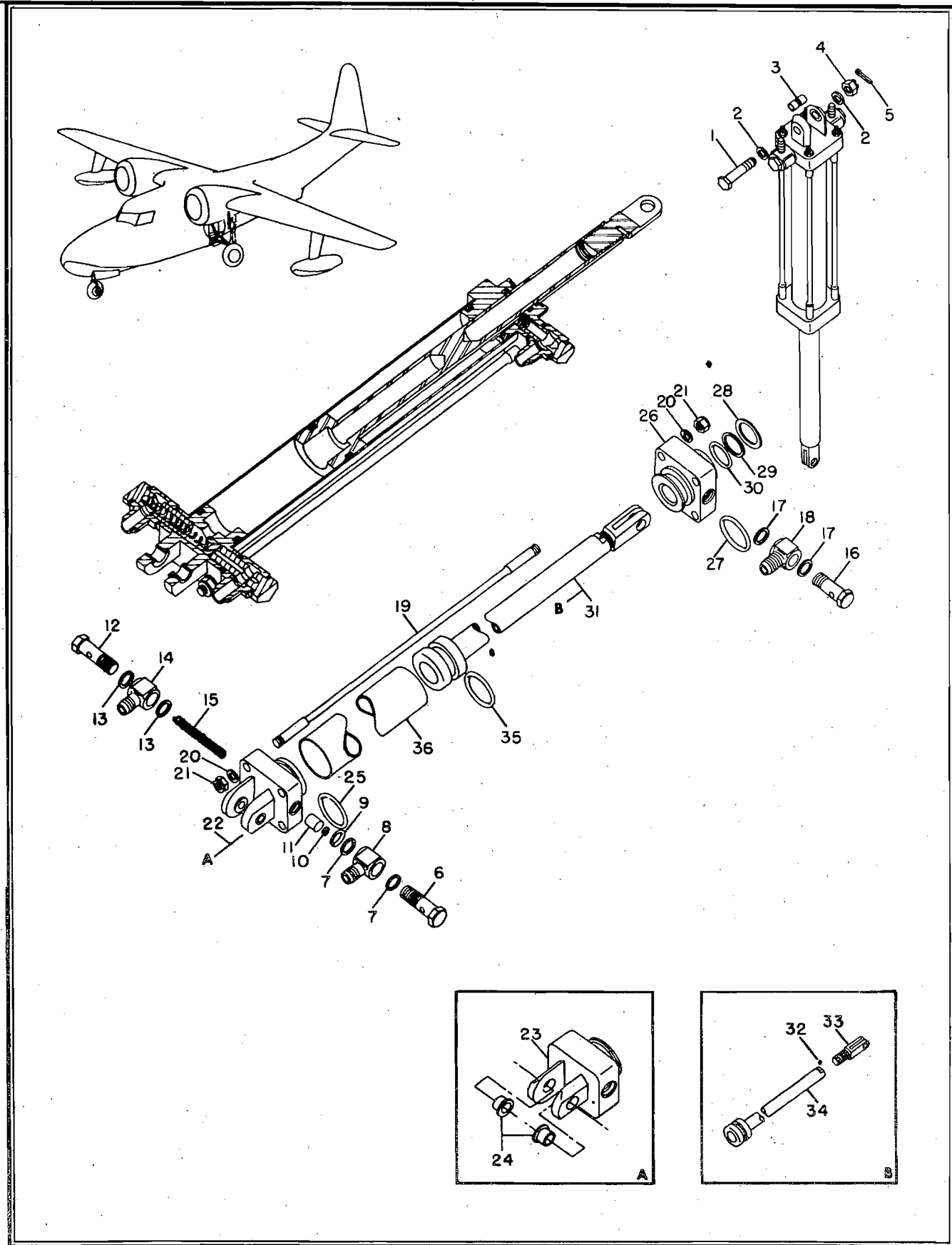


Figure 195—Main Wheel Hydraulic Retracting and Lock Cylinder Assembly



Figure &
Index No.

Part No.

Nomenclature
1 2 3 4 5 6 7

Units Usage
Per Assy Code

ALIGHTING GEAR (Cont)

Main Wheel Hydraulic Retracting and Lock Cylinder Assembly

Figure & Index No.	Part No.	Nomenclature	Units Per Assy	Usage Code
195-	109552	. . . Cylinder Assembly - Main wheel hydraulic retracting and lock (iap) (See Fig. 190-4)	Ref	All
		ATTACHING PARTS		
-1	AN5-15	. . . Bolt	1	All
-2	AN960D516	. . . Washer	2	All
-3	G25-H5-9	. . . Bushing	1	All
-4	AN310-5	. . . Nut	1	All
-5	AN380C2-2	. . . Cotter	1	All
-6	112813	. . . Bolt	1	All
-7	AN901-4C	. . . Gasket	2	All
-8	AN776-4D	. . . Elbow - Universal 90°	1	All
-9	AN6227-6	. . . Packing - "O" Ring	1	All
-10	AN6227-3	. . . Packing - "O" Ring	1	All
-11	112811	. . . Shuttle	1	All
-12	112812	. . . Bolt	1	All
-13	AN901-4C	. . . Gasket	2	All
-14	AN776-4D	. . . Elbow - Universal 90°	1	All
-15	G101-204	. . . Spring	1	All
-16	AN775-4	. . . Bolt - Universal fitting	1	All
-17	AN901-4C	. . . Gasket	2	All
-18	AN776-4D	. . . Elbow - Universal 90°	1	All
-19	41663-6	. . . Rod - Tie	4	All
-20	AN960-416	. . . Washer	8	All
-21	AN365-428	. . . Nut	8	All
-22	109578	. . . Fitting Assembly	1	All
-23	112806	. . . Fitting	1	All
-24	G27-5-8	. . . Bushing	2	All
-25	AN6227-23	. . . Packing - "O" Ring	1	All
-26	112810	. . . Fitting	1	All
-27	AN6227-23	. . . Packing - "O" Ring	1	All
-28	109576	. . . Retainer	1	All
-29	AN6231-5	. . . Wiper	1	All
-30	AN6227-15	. . . Packing - "O" Ring	1	All
-31	109577	. . . Piston Assembly	1	All
-32	Type #1 3/32 D. x 3/8	. . . Pin (Groov-Pin Corp.)	1	All
-33	112809	. . . Terminal	1	All
-34	112808	. . . Piston	1	All
-35	AN6227-23	. . . Packing - "O" Ring	1	All
-36	112807	. . . Body	1	All

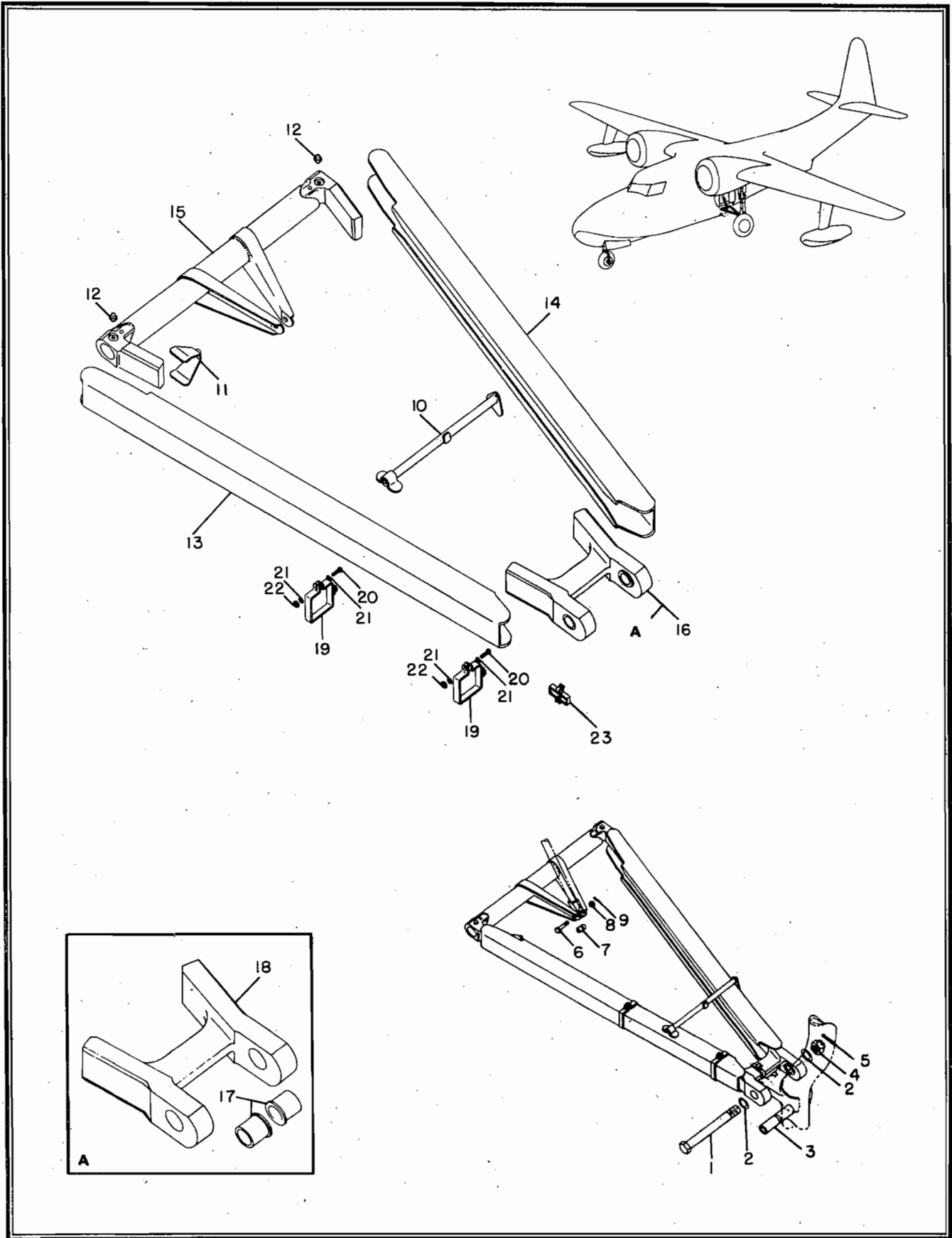


Figure 196—Main Wheel Drag Link Assembly



Section II
Group Assembly Parts List

Figure & Index No.	Part No.	Nomenclature 1 2 3 4 5 6 7	Units Per Assy	Usage Code
ALIGHTING GEAR (Cont)				
Main Wheel Drag Link Assembly				
196-	108007L	. Link Assembly - Main Wheel drag L.H. (iap) (See Fig. 188-22)	(L.H.) Ref	All
	108007R	. Link Assembly - Main Wheel drag R.H. (iap) (See Fig. 188-22)	(R.H.) Ref	All
ATTACHING PARTS				
-1	G155-H14-72	. . Bolt	1	All
-2	AN960-1416	. . Washer	2	All
-3	G25-H14-400	. . Bushing	1	All
-4	AN310-14	. . Nut	1	All
-5	AN380C4-5	. . Cotter	1	All
-6	G155-H6-14	. . Bolt	1	All
-7	G25-H6-12	. . Bushing	1	All
-8	AN310-6	. . Nut	1	All
-9	AN380C3-3	. . Cotter	1	All
-10	108027-1L	. . Tube Assembly L.H.	(L.H.) 1	All
	108027-1R	. . Tube Assembly R.H.	(R.H.) 1	All
-11	108092	. . Bracket Assembly	1	All
-12	G39-3	. . Lubricator	2	All
-13	108032-2	. . Channel	1	All
-14	108032-1	. . Channel	1	All
-15	108025	. . Tube Assembly	1	All
-16	112505	. . Trunnion Assembly	1	All
-17	G27-14-32	. . . Bushing	2	All
-18	112505-1	. . . Trunnion	1	All
-19	110099-4	. . Clamp Assembly (iap)	2	All
ATTACHING PARTS				
-20	AN515-8-10	. . . Screw	1	All
-21	AN960D8	. . . Washer	2	All
-22	AN365-832	. . . Nut	1	All
-23	110099-3	. . Clamp Assembly	(L.H.) 1	All
	110099-2	. . Clamp Assembly	(R.H.) 1	All

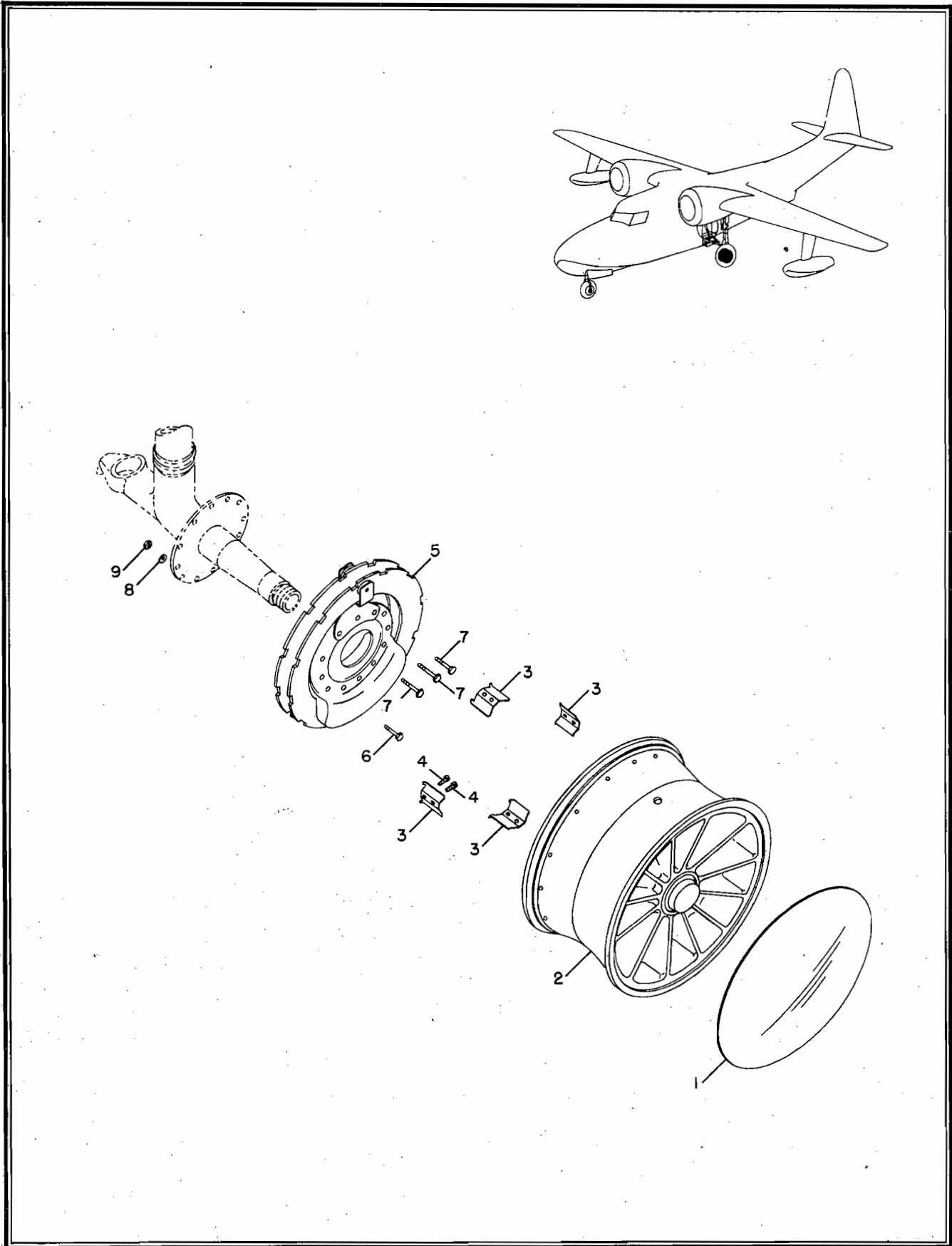


Figure 197—Main Wheel and Brake Assembly



Section II
Group Assembly Parts List

Figure & Index No.	Part No.	Nomenclature							Units Per Assy	Usage Code
		1	2	3	4	5	6	7		
ALIGHTING GEAR (Cont)										
Main Wheel and Brake Assembly										
197-	PD295	Ref	r
	PD295-1	Ref	s
-1	9530112	1	All
-2	9530113	1	All
-3	9520912	4	All
ATTACHING PARTS										
-4	AN502-10-4	8	All
-5	9540045	1	r
	9540134	1	s
ATTACHING PARTS										
-6	AN6-13	9	All
-7	AN6-14	3	All
-8	AN960-616	12	All
-9	R1S624	12	All

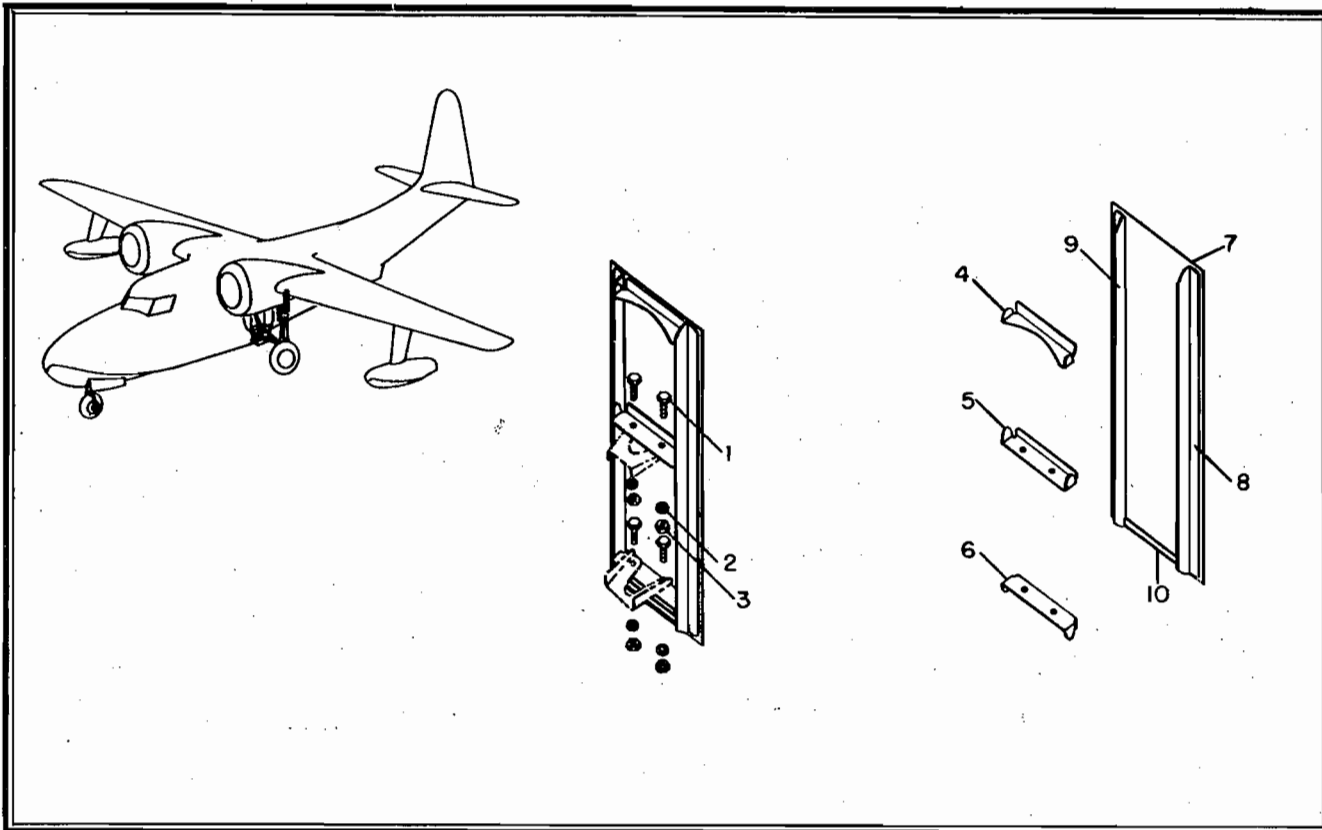


Figure 198—Main Wheel Wing Fairing Assembly

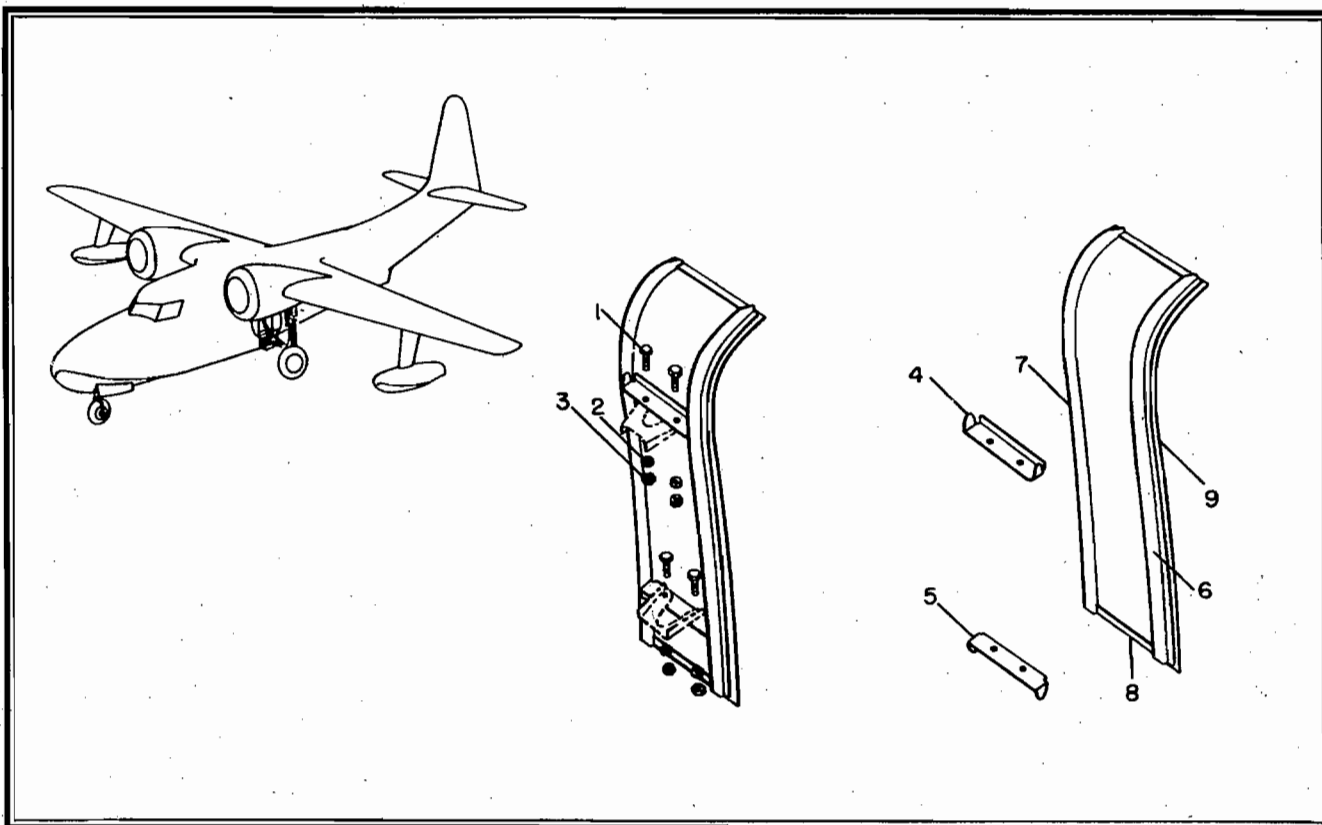


Figure 199—Main Wheel Hull Fairing Assembly



Section II
Group Assembly Parts List

Figure & Index No.	Part No.	Nomenclature	Units Per Assy	Usage Code
		1 2 3 4 5 6 7		
ALIGHTING GEAR (Cont)				
Main Wheel Wing Fairing Assembly				
198-	108035	. Fairing Assembly - Main wheel wing (iap) (See Fig. 189-16)	Ref	All
ATTACHING PARTS				
-1	AN3-4A	. . Bolt	4	All
-2	AN960-10	. . Washer	4	All
-3	AN365-1032	. . Nut	4	All
-4	108035-3	. . Bracket	1	All
-5	108035-5	. . Bracket	1	All
-6	108035-4	. . Bracket	1	All
-7	108035-1	. . Skin	1	All
-8	108035-2L	. . Angle L.H.	1	All
-9	108035-2R	. . Angle R.H.	1	All
-10	108035-6	. . Plate	1	All
Main Wheel Hull Fairing Assembly				
199-	108036L	. Fairing Assembly - Main wheel hull L.H. (iap) (See Fig. 189-17)	(L.H.) Ref	All
	108036R	. Fairing Assembly - Main wheel hull R.H. (iap) (See Fig. 189-17)	(R.H.) Ref	All
ATTACHING PARTS				
-1	AN3-4A	. . Bolt	4	All
-2	AN960-10	. . Washer	4	All
-3	AN365-1032	. . Nut	4	All
-4	108036-5L	. . Bracket L.H.	(L.H.) 1	All
	108036-5R	. . Bracket R.H.	(R.H.) 1	All
-5	108036-4	. . Bracket	1	All
-6	108036-2L	. . Angle L.H.	(L.H.) 1	All
	108036-2R	. . Angle R.H.	(R.H.) 1	All
-7	108036-3L	. . Angle L.H.	(L.H.) 1	All
	108036-3R	. . Angle R.H.	(R.H.) 1	All
-8	108036-6	. . Plate	1	All
-9	108036-1L	. . Skin L.H.	(L.H.) 1	All
	108036-1R	. . Skin R.H.	(R.H.) 1	All

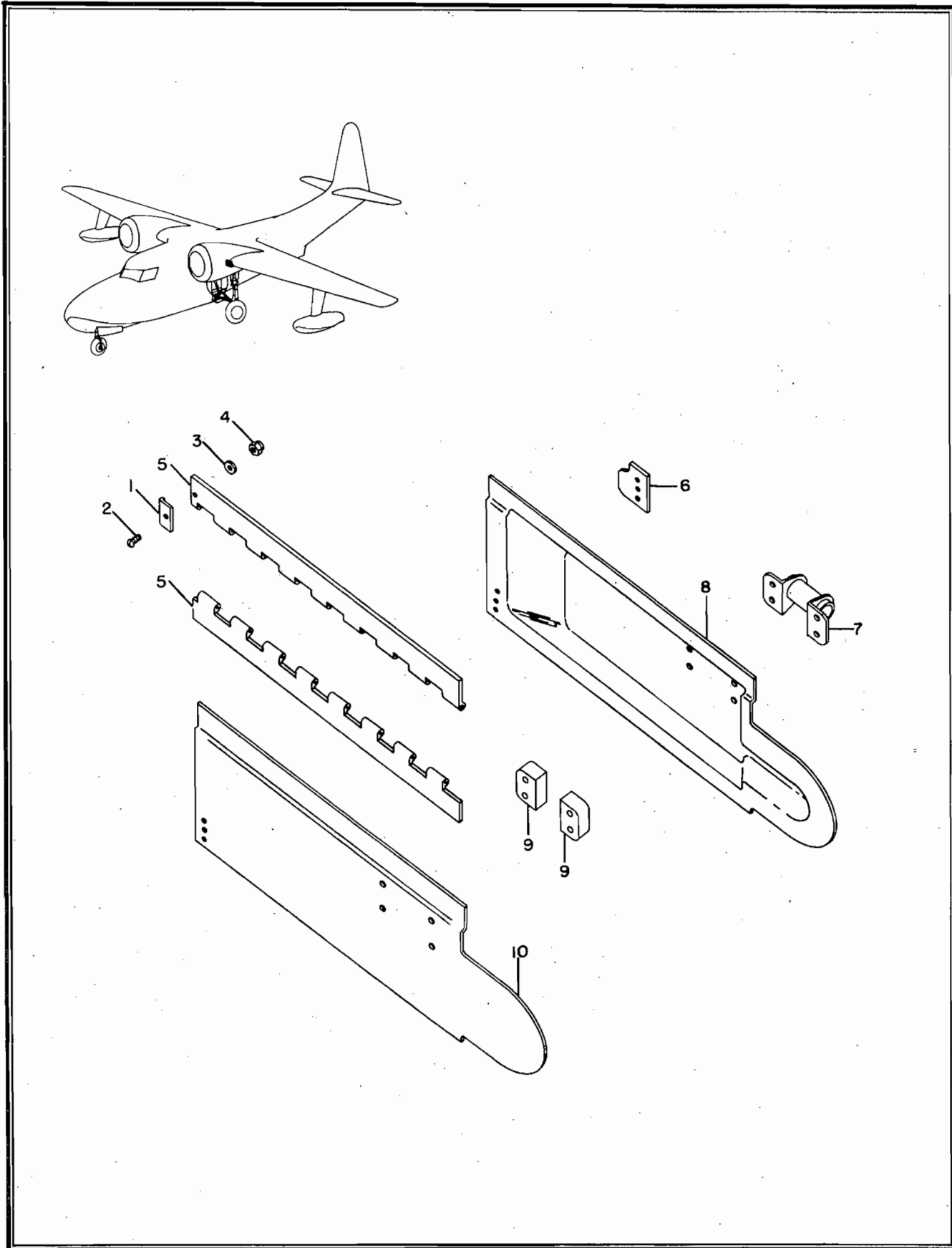


Figure 200—Main Wheel Wing Door Assembly



Section II
Group Assembly Parts List

Figure & Index No.	Part No.	Nomenclature							Units Per Assy	Usage Code	
		1	2	3	4	5	6	7			
ALIGHTING GEAR (Cont)											
Main Wheel Wing Door Assembly											
200-	108033L	(L.H.)	Ref	All
	108033R	(R.H.)	Ref	All
-1	108048		1	All
		ATTACHING PARTS									
-2	AN515-6-5		1	All
-3	AN960D6		1	All
-4	AN365-632		1	All
-5	G141-5-10-3/8		1	All
-6	108033-3		1	All
-7	108041		1	All
-8	108033-2L	(L.H.)	1	All
	108033-2R	(R.H.)	1	All
-9	112526		2	All
-10	108033-1L	(L.H.)	1	All
	108033-1R	(R.H.)	1	All

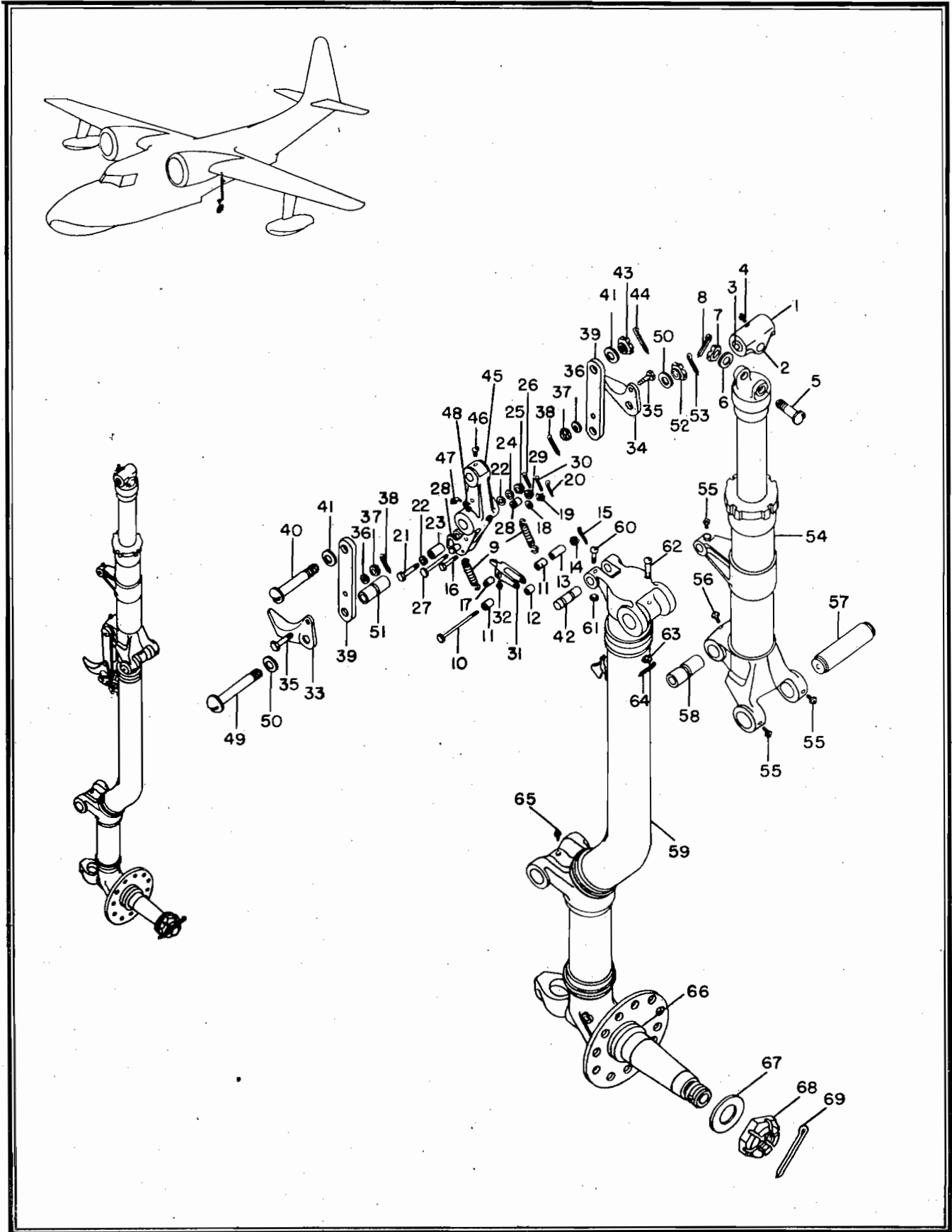


Figure 201—Main Wheel Shock Strut Assembly



Figure &
Index No.

Part No.

Nomenclature

1 2 3 4 5 6 7

Units Usage
Per Assy Code

A LIGHTING GEAR (Cont)

Main Wheel Shock Strut Assembly

IN THE FOLLOWING BREAKDOWN ALL PART NUMBERS ARE BENDIX

Figure & Index No.	Part No.	Nomenclature	Units Per Assy	Usage Code
201-	69629	. Strut Assembly - Main wheel shock (Bendix Aviation Corp.) (See Fig. 189-41) L.H. (L.H.)	Ref	All
	69630	. Strut Assembly - Main wheel shock (Bendix Aviation Corp.) (See Fig. 189-41) R.H. (R.H.)	Ref	All
-1	69842	. . Link and Bushing Assembly - Universal	1	All
-2	69844	. . . Link	1	All
-3	65317	. . . Bushing	2	All
-4	53885	. . Lubricator	1	All
-5	AN30-46	. . Bolt	1	All
-6	AN960-1016	. . Washer	1	All
-7	AN320-10	. . Nut	1	All
-8	AN381-3-12	. . Cotter	1	All
-9	69904	. . Spring	2	All
-10	AN4-37	. . Bolt	1	All
-11	69901	. . Spacer	2	All
-12	69902	. . Bushing	1	All
-13	69903	. . Bushing	1	All
-14	AN310-4	. . Nut	1	All
-15	AN381-2-8	. . Cotter	1	All
-16	AN4-13	. . Bolt	1	All
-17	69898	. . Bushing	1	All
-18	AN960C416	. . Washer	1	All
-19	AN310-4	. . Nut	1	All
-20	AN381-2-8	. . Cotter	1	All
-21	AN4-14	. . Bolt	1	All
-22	69899	. . Washer	2	All
-23	69900	. . Bushing	1	All
-24	AN960C416	. . Washer	1	All
-25	AN310-4	. . Nut	1	All
-26	AN381-2-8	. . Cotter	1	All
-27	AN5-25	. . Bolt	1	All
-28	69893	. . Spacer	2	All
-29	AN310-5	. . Nut	1	All
-30	AN381-2-8	. . Cotter	1	All
-31	69897	. . Lock	1	All
-32	53885	. . Lubricator	1	All
-33	155129	. . Fitting	1	All
-34	155130	. . Fitting	1	All
-35	AN4-11	. . Bolt	2	All
-36	AN960D416L	. . Washer	2	All
-37	AN310-4	. . Nut	2	All
-38	AN380-2-2	. . Cotter	2	All
-39	69894	. . Link	2	All
-40	AN32-64	. . Bolt	1	All
-41	AN960D1216L	. . Washer	2	All
-42	69896	. . Bushing	1	All
-43	AN320-12	. . Nut	1	All
-44	AN381-4-18	. . Cotter	1	All
-45	69883	. . Bellcrank and Plates Assembly	1	All
-46	AN510-10-7	. . . Screw	1	All
-47	54457	. . Lubricator	1	All
-48	NAS-2-301	. . Lubricator	1	All
-49	AN32-72	. . Bolt	1	All

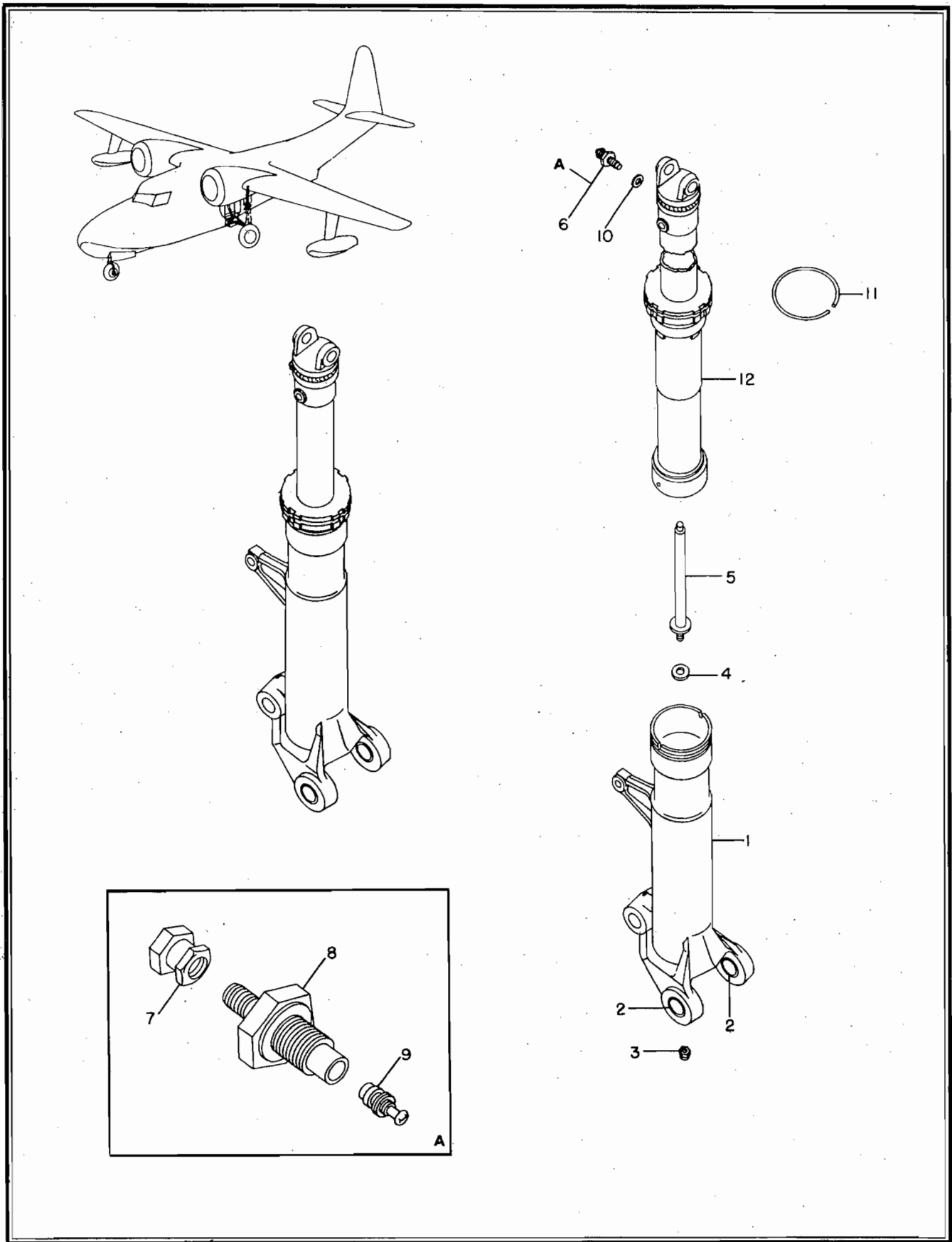


Figure 202—Main Wheel Pneudraulic Shock Strut Assembly



Figure & Index No.	Part No.	Nomenclature	1 2 3 4 5 6 7	Units Per Assy	Usage Code
-----------------------	----------	--------------	---------------	-------------------	---------------

ALIGHTING GEAR (Cont)

Main Wheel Shock Strut Assembly (Cont)

IN THE FOLLOWING BREAKDOWN ALL PART NUMBERS ARE BENDIX

201-50	AN960D1216L	. . Washer		2	All
-51	69895	. . Bushing		1	All
-52	AN320-12	. . Nut		1	All
-53	AN381-4-18	. . Cotter		1	All
-54	69796	. . Strut Assembly - Main wheel pneudraulic shock (See Fig. 202)		1	All
-55	53885	. . Lubricator		3	All
-56	54457	. . Lubricator		1	All
-57	69846	. . Pin - Knuckle		1	All
-58	69896	. . Bushing		1	All
-59	69822	. . Leg and Axle Assembly - Main wheel (See Fig. 203)		1	All
-60	AN23-26A	. . Bolt		1	All
-61	AN365-1032	. . Nut		1	All
-62	AN24-32	. . Bolt		1	All
-63	AN320-4	. . Nut		1	All
-64	AN381-2-8	. . Cotter		1	All
-65	53885	. . Lubricator		1	All
-66	50502	. . Collar		1	All
-67	110-S-3	. . Washer		1	All
-68	111-S-3	. . Nut		1	All
-69	69845	. . Cotter		1	All

Main Wheel Pneudraulic Shock Strut Assembly

IN THE FOLLOWING BREAKDOWN ALL PART NUMBERS ARE BENDIX

202-	69796	. . Strut Assembly - Main wheel pneudraulic Shock (See Fig. 201-54)		Ref	All
-1	69814	. . . Cylinder and Diaphragm Assembly - Outer		1	All
-2	69819 Bushing		2	All
-3	AN365-624 Nut		1	All
-4	53051 Gasket		1	All
-5	69820 Pin - Metering		1	All
-6	53047 Plug Assembly - Filler		1	All
-7	AN813-1 Cap		1	All
-8	AN812-1 Plug		1	All
-9	AN809-1 Core		1	All
-10	AN901-5C Gasket		1	All
-11	68379 Ring		1	All
-12	69797	. . . Cylinder and Packing Assembly - Inner (See Fig. 204)		1	All

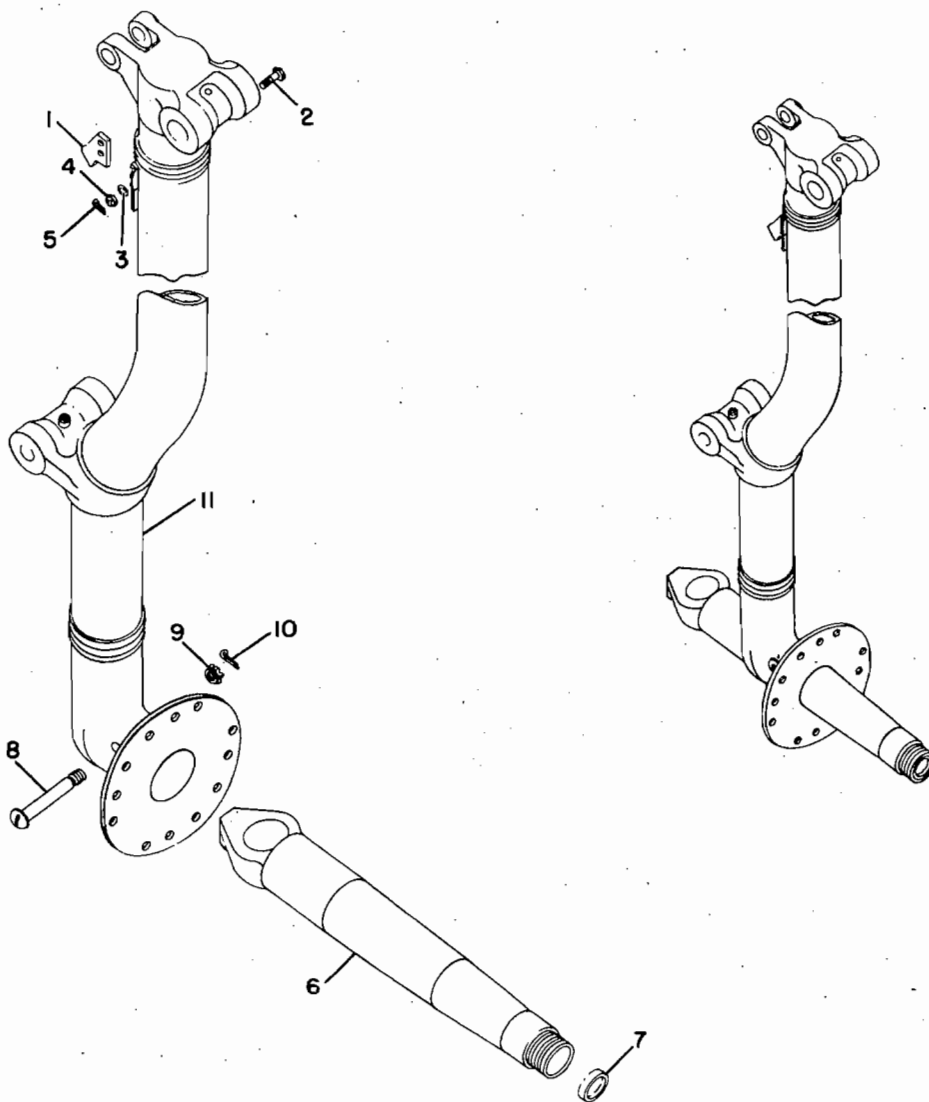
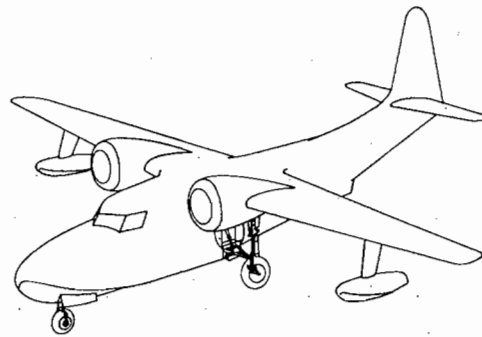


Figure 203—Main Wheel Leg and Axle Assembly



Figure &
Index No.

Part No.

Nomenclature
1 2 3 4 5 6 7

Units Usage
Per Assy Code

ALIGHTING GEAR (Cont)

Main Wheel Leg and Axle Assembly

IN THE FOLLOWING BREAKDOWN ALL PART NUMBERS ARE BENDIX

Figure & Index No.	Part No.	Nomenclature	Units Per Assy	Usage Code
203-	69822	. . . Leg and Axle Assembly - Main wheel (Bendix Aviation Corp.) (See Fig. 201-59)	Ref	All
-1	69841 Latch	1	All
-2	AN4-7 Bolt	2	All
-3	901140-K1 Washer	2	All
-4	AN310-4 Nut	2	All
-5	AN381-2-8 Cotter	2	All
-6	69837 Axle and Jack Point Assembly	1	All
-7	51203 Retainer - Grease	1	All
-8	AN28-54 Bolt	1	All
-9	AN320-8 Nut	1	All
-10	AN381-3-12 Cotter	1	All
-11	69824 Leg and Fitting Assembly	1	All

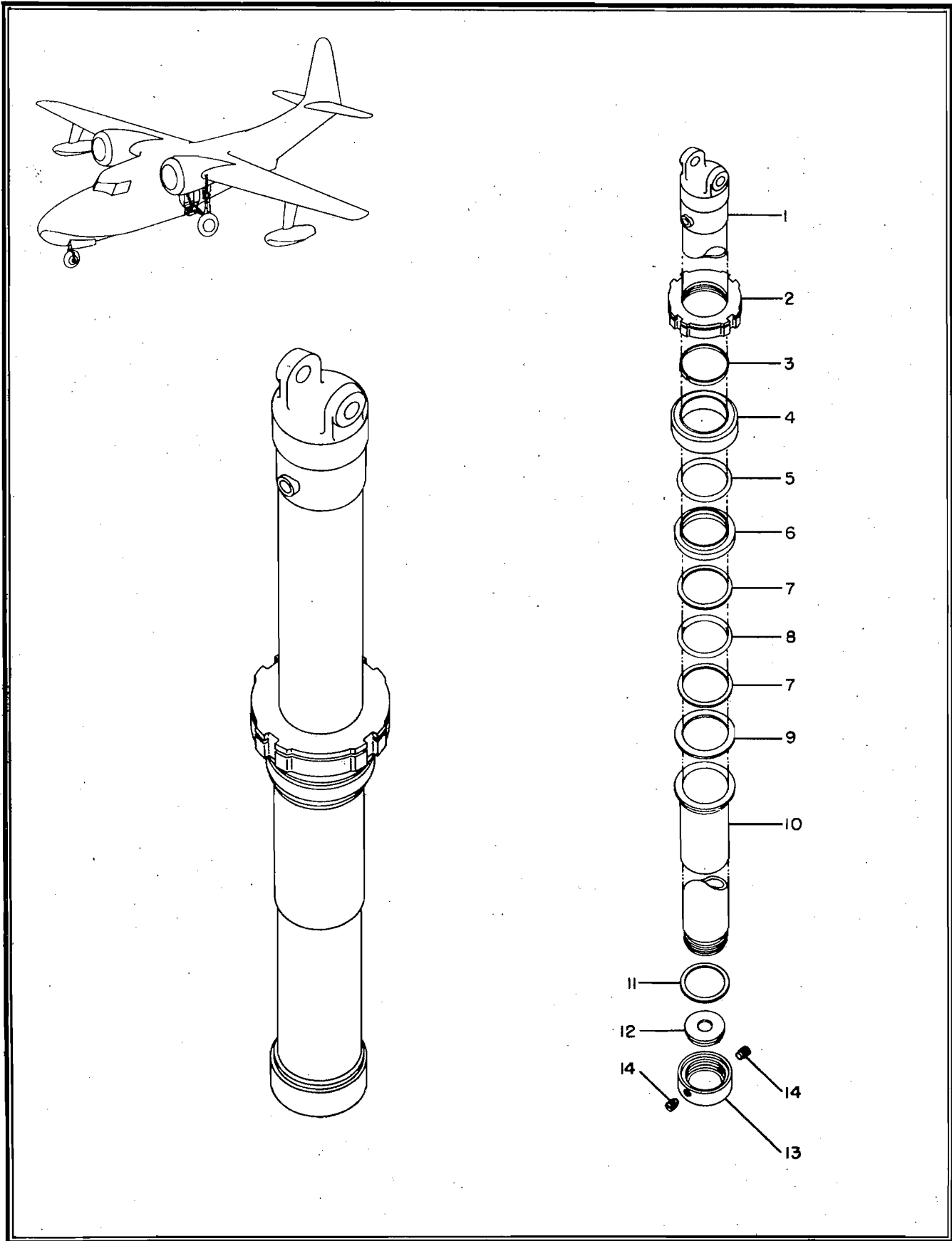


Figure 204—Main Wheel Pneudraulic Shock Strut Inner Cylinder and Packing Assembly



Figure & Index No.	Part No.	Nomenclature							Units Per Assy	Usage Code
		1	2	3	4	5	6	7		

ALIGHTING GEAR (Cont)

Main Wheel Pneudraulic Shock Strut Inner Cylinder and Packing Assembly

IN THE FOLLOWING BREAKDOWN ALL PART NUMBERS ARE BENDIX.

204-	69797	. . .	Cylinder and Packing Assembly - Main wheel pneudraulic shock strut inner (See Fig. 202-12)	Ref	All
-1	69798	. . .	Cylinder and Fitting Assembly - Inner	1	All
-2	69806	. . .	Nut - Bearing	1	All
-3	69776	. . .	Ring - Wiper	1	All
-4	69807	. . .	Bearing - Outer	1	All
-5	AN6227-38	. . .	Packing - "O" Ring	1	All
-6	69778	. . .	Adapter	1	All
-7	AN6246-36	. . .	Ring - Backup	2	All
-8	AN6227-36	. . .	Packing - "O" Ring	1	All
-9	69772	. . .	Washer	1	All
-10	69811	. . .	Tube and Washer Assembly - Spacer	1	All
-11	69808	. . .	Valve - Snubber	1	All
-12	69810	. . .	Orifice	1	All
-13	69809	. . .	Piston	1	All
-14	53437	. . .	Screw	2	All

Section II
Group Assembly Parts List

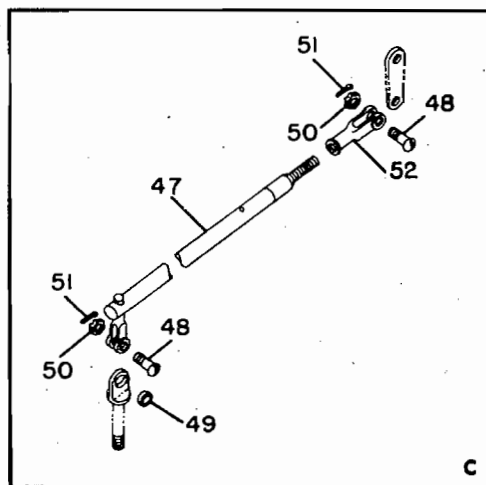
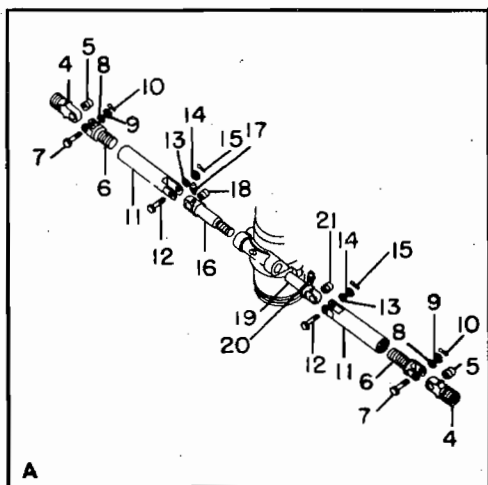
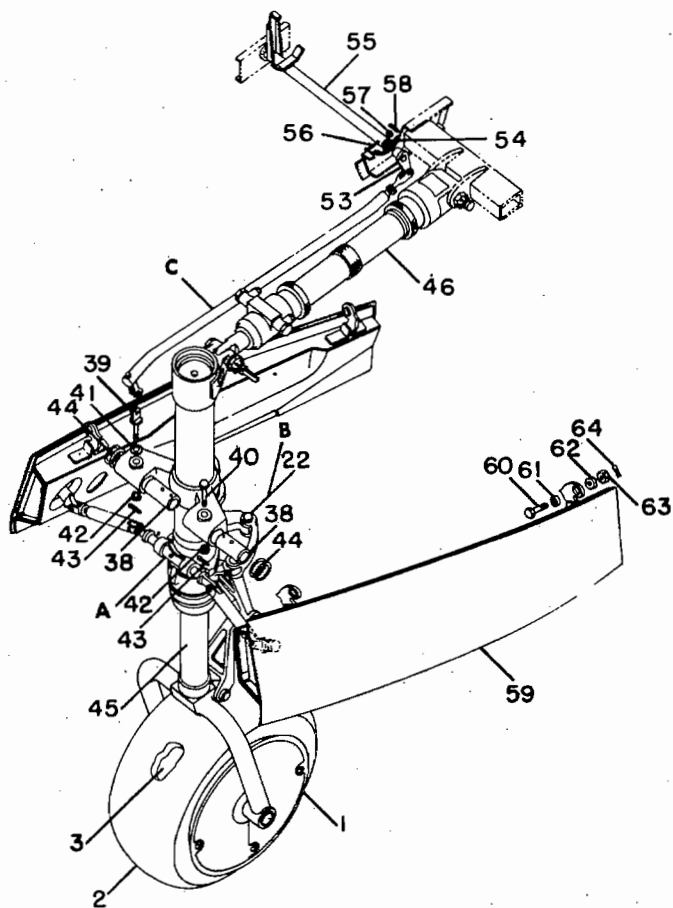
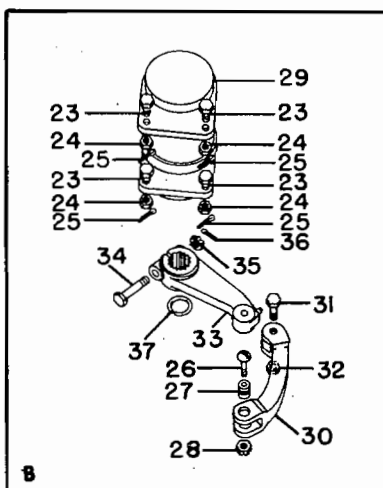
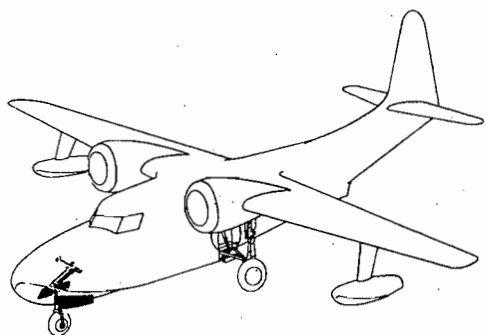


Figure 205—Nose Wheel Installation



Figure & Index No.	Part No.	Nomenclature 1 2 3 4 5 6 7	Units Per Assy	Usage Code
ALIGHTING GEAR (Cont)				
Nose Wheel Installation				
205-	108002	Wheel Installation - Nose	1	All
-1	145308	. Wheel (Bendix Aviation Corp.)	1	All
-2	19 X 6.80-10	. Tire - 6 ply rayon low profile (Goodrich Rubber Co.)	1	All
-3	19 X 6.80-10	. Tube - Regular (Goodrich Rubber Co.)	1	All
-4	112522	. Eyebolt	2	All
-5	G25-H4-7	. . Bushing	1	All
-6	112500	. Fitting (iap)	2	All
ATTACHING PARTS				
-7	AN4-11	. . Bolt	1	All
-8	AN960-416	. . Washer	1	All
-9	AN310-4	. . Nut	1	All
-10	AN380C2-2	. . Cotter	1	All
-11	112501	. Fitting (iap)	2	All
ATTACHING PARTS				
-12	AN4-11	. . Bolt	1	All
-13	AN960-416	. . Washer	1	All
-14	AN310-4	. . Nut	1	All
-15	AN380C2-2	. . Cotter	1	All
-16	112502	. Fitting	1	All
-17	G39-3	. . Lubricator	1	All
-18	G25-H4-7	. . Bushing	1	All
-19	112503	. Fitting	1	All
-20	G39-3	. . Lubricator	1	All
-21	G25-H4-7	. . Bushing	1	All
-22	A-12923	. Unit Assembly - Shimmy damper (Houde Engineering Co.)	1	All
ATTACHING PARTS				
-23	AN5-7	. Bolt	4	All
-24	AN310-5	. Nut	4	All
-25	AN380C2-2	. Cotter	4	All
-26	AN24-18	. Bolt	1	All
-27	G25-H4-9	. Bushing	1	All
-28	AN320-4	. Nut	1	All
-29	A-10704	. . Damper Assembly - Shimmy (Houde Engineering Co.)	1	All
-30	I-9383	. . Lever (Houde Engineering Co.)	1	All
ATTACHING PARTS				
-31	AN4-11	. . Bolt	1	All
-32	AN365-524	. . Nut	1	All
-33	A-12993	. . Lever (Houde Engineering Co.)	1	All
ATTACHING PARTS				
-34	AN5-17A	. . Bolt	1	All
-35	AN320-4	. . Nut	1	All
-36	AN380C2-3	. . Cotter	1	All
-37	I-5145	. . Ring - Retaining (Houde Engineering Co.)	1	All
-38	112519	. Pin	2	All
-39	AN45-21	. Bolt - Eye	1	All
-40	AN5-22	. Bolt	1	All
-41	AN960C516L	. Washer	1	All
-42	AN310-5	. Nut	2	All
-43	AN380C2-2	. Cotter	2	All
-44	G325-20	. Shim	AR	All
-45	69631	. Strut - Nose wheel shock (Bendix Aviation Corp.) (See Fig. 206)	1	All
-46	109556	. Cylinder Assembly - Nose wheel hydraulic (iap) (See Fig. 209)	1	All

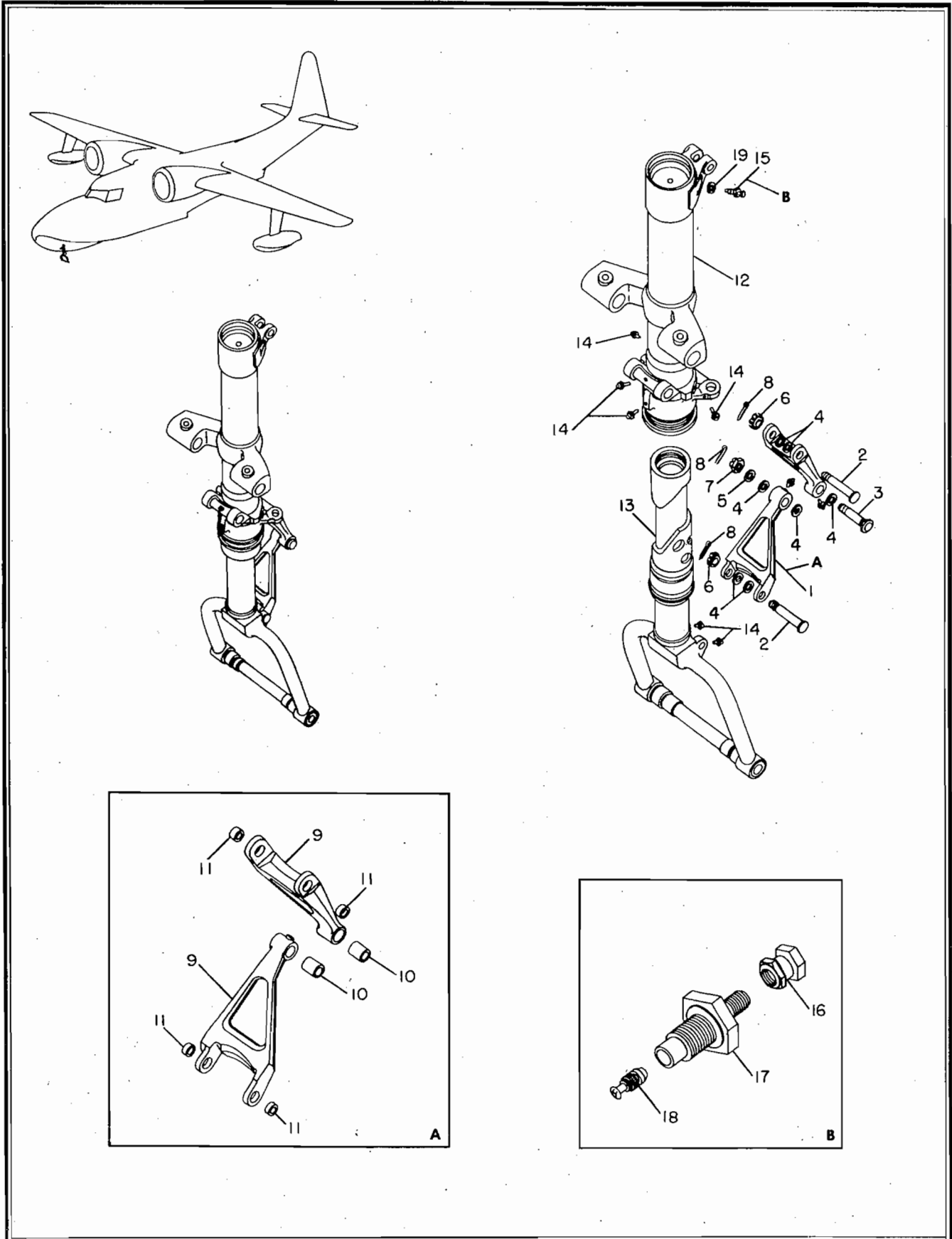


Figure 206—Nose Wheel Shock Strut Assembly



Section II
Group Assembly Parts List

Figure & Index No.	Part No.	Nomenclature 1 2 3 4 5 6 7	Units Per Assy	Usage Code
ALIGHTING GEAR (Cont)				
Nose Wheel Installation (Cont)				
205-47	108047-1	. Tube Assembly - Position indicator (iap)	1	All
ATTACHING PARTS				
-48	AN23-10	. . Bolt	2	All
-49	G68-2	. . Bushing	1	All
-50	AN320-3	. . Nut	2	All
-51	AN380C2-2	. . Cotter	2	All
-52	AN486-4	. . Clevis	1	All
-53	112536	. Crank Assembly	1	All
-54	AN6227-7	. Packing - "O" Ring	1	All
-55	108047-3	. Indicator Assembly (iap)	1	All
ATTACHING PARTS				
-56	AN23-14	. . Bolt	1	All
-57	AN320-3	. . Nut	1	All
-58	AN380C2-2	. . Cotter	1	All
-59	108020L	. Door Assembly - Nose wheel compartment L.H. (iap) (See Fig. 210)	1	All
	108020R	. Door Assembly - Nose wheel compartment R.H. (iap) (See Fig. 210)	1	All
ATTACHING PARTS				
-60	AN4-14	. . Bolt	2	All
-61	G25-H4-8	. . Bushing	2	All
-62	AN960-416	. . Washer	2	All
-63	AN310-4	. . Nut	2	All
-64	AN380C2-2	. . Cotter	2	All

Nose Wheel Shock Strut Assembly

IN THE FOLLOWING BREAKDOWN ALL PART NUMBERS ARE BENDIX.

206-	69631	. Strut Assembly - Nose wheel shock (Bendix Aviation Corp.) (See Fig. 205-45)	Ref	All
-1	69787	. . Arm and Bushing Assembly - Torque		
ATTACHING PARTS				
-2	69793	. . Bolt	2	All
-3	69794	. . Bolt	1	All
-4	69792	. . Washer	7	All
-5	68207	. . Washer	1	All
-6	AN320-8	. . Nut	2	All
-7	AN310-6	. . Nut	1	All
-8	AN380C3-3	. . Cotter	3	All
-9	69789	. . . Arm - Torque	2	All
-10	69790	. . . Bushing	2	All
-11	69791	. . . Bushing	4	All
-12	69632	. . Cylinder and Piston Assembly - Nose wheel shock strut outer (See Fig. 207)	1	All
-13	69763	. . Cylinder, Fork and Packing Assembly - Nose wheel shock strut inner (See Fig. 208)	1	All
-14	53885	. . Lubricator	8	All
-15	53047	. . Plug Assembly - Filler	1	All
-16	AN813-1	. . . Cap	1	All
-17	AN812-1	. . . Plug	1	All

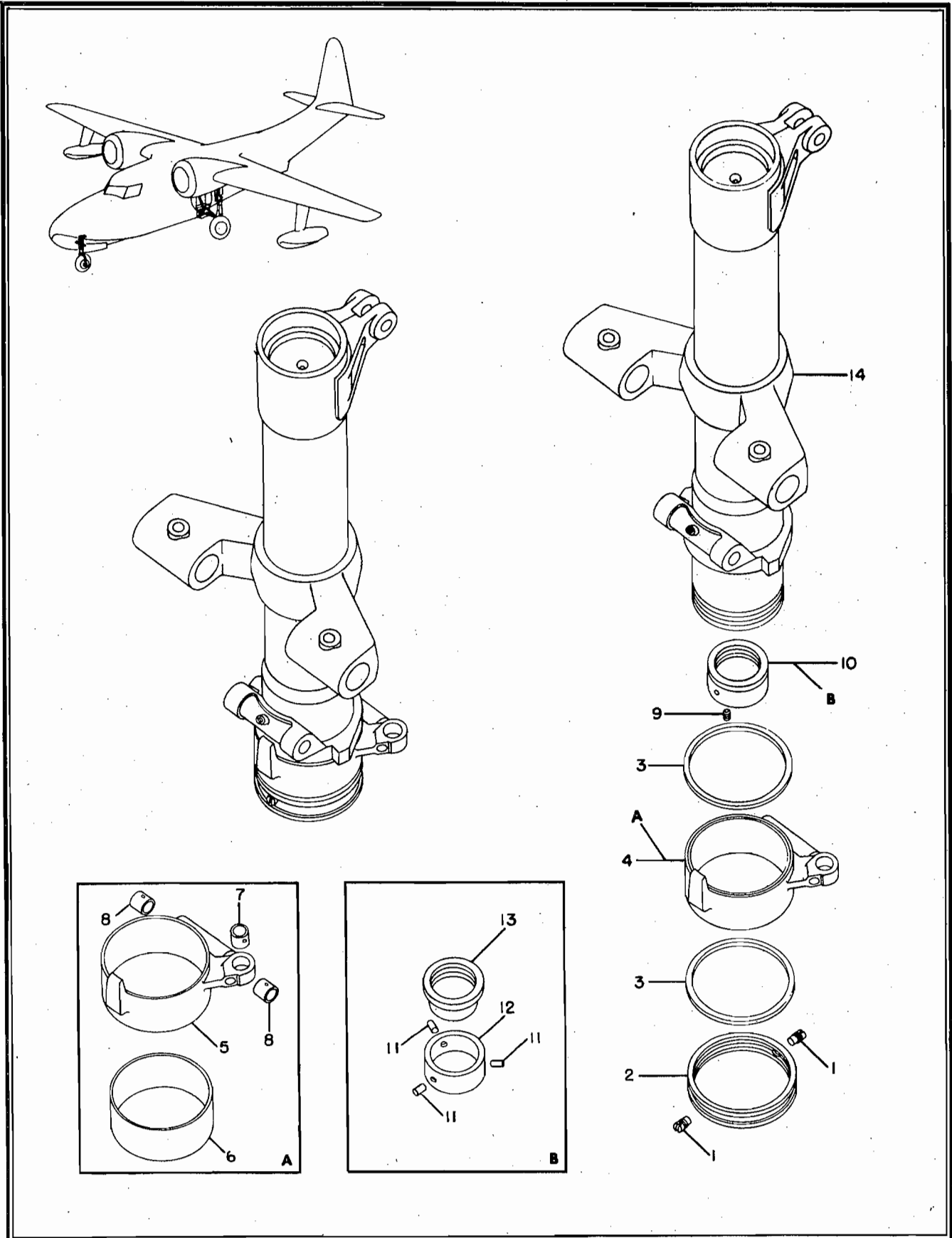




Figure & Index No.	Part No.	Nomenclature							Units Per Assy	Usage Code
		1	2	3	4	5	6	7		

ALIGHTING GEAR (Cont)

Nose Wheel Shock Strut Assembly (Cont)

IN THE FOLLOWING BREAKDOWN ALL PART NUMBERS ARE BENDIX.

206-18	AN809-1	. . .	Core						1	All
-19	AN901-5C	. . .	Gasket						1	All

Nose Wheel Shock Strut Outer Cylinder and Piston Assembly

IN THE FOLLOWING BREAKDOWN ALL PART NUMBERS ARE BENDIX.

207-	69632	. . .	Cylinder and Piston Assembly - Nose wheel shock strut outer (Bendix Aviation Corp.) (See Fig. 206-12)	Ref						All
-1	69756	. . .	Screw - Lock						2	All
-2	69753	. . .	Nut - Torque fitting						1	All
-3	69755	. . .	Washer - Thrust						2	All
-4	69757	. . .	Fitting and Bushing Assembly - Torque						1	All
-5	69759	Fitting - Torque						1	All
-6	69760	Bushing						1	All
-7	69762	Bushing						1	All
-8	69761	Bushing						2	All
-9	69754	. . .	Screw - Lock						1	All
-10	69649	. . .	Orifice and Piston Assembly						1	All
-11	69750	Pin - Retaining						3	All
-12	69752	Piston						1	All
-13	69751	Orifice						1	All
-14	69633	. . .	Cylinder and Piston Tube Assembly - Outer						1	All

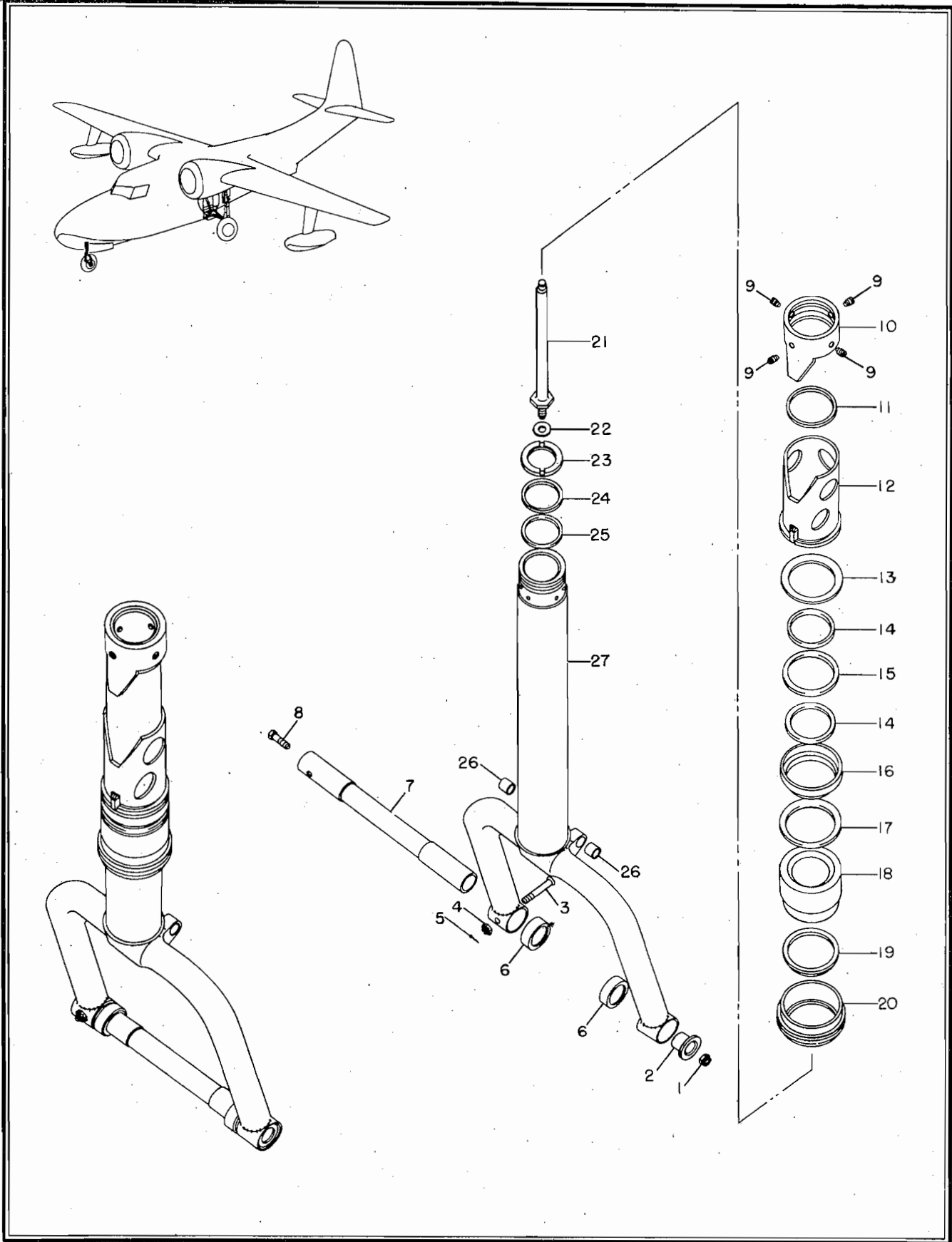


Figure 208—Nose Wheel Shock Strut Inner Cylinder, Fork and Packing Assembly



Figure &
Index No.

Part No.

Nomenclature
1 2 3 4 5 6 7

Units Usage
Per Assy Code

ALIGHTING GEAR (Cont)

Nose Wheel Shock Strut Inner Cylinder, Fork and Packing Assembly

IN THE FOLLOWING BREAKDOWN ALL PART NUMBERS ARE BENDIX.

Figure & Index No.	Part No.	Nomenclature	Ref	Usage Code
208-	69763	. . . Cylinder, Fork and Packing Assembly - Nose wheel shock strut inner (Bendix Aviation Corp.) (See Fig. 206-13)		
-1	AN365-524	. . . Nut	1	All
-2	69863	. . . Cap	1	All
-3	AN24-30	. . . Bolt	1	All
-4	AN320-4	. . . Nut	1	All
-5	AN380C2-2	. . . Cotter	1	All
-6	69867	. . . Collar	2	All
-7	69861	. . . Axle and Diaphragm Assembly	1	All
-8	AN5-7A	. . . Bolt	1	All
-9	65323	. . . Screw - Lock	4	All
-10	69783	. . . Cam - Upper	1	All
-11	69782	. . . Valve - Snubber	1	All
-12	69779	. . . Cam and Key Assembly - Lower	1	All
-13	69772	. . . Washer - Packing	1	All
-14	AN6246-36	. . . Ring - Backup	2	All
-15	AN6227-36	. . . Packing - "O" Ring	1	All
-16	69778	. . . Adapter - Packing	1	All
-17	AN6227-38	. . . Packing - "O" Ring	1	All
-18	69777	. . . Bearing - Lower	1	All
-19	69776	. . . Ring - Wiper	1	All
-20	69775	. . . Nut - Lower Bearing	1	All
-21	69774	. . . Pin - Metering	1	All
-22	53051	. . . Gasket	1	All
-23	69773	. . . Nut	1	All
-24	69781	. . . Ring - Seal compressing	1	All
-25	AN6230-3	. . . Gasket - "O" Ring	1	All
-26	69761	. . . Bushing	2	All
-27	69764	. . . Cylinder, Fork and Diaphragm Assembly - Inner	1	All

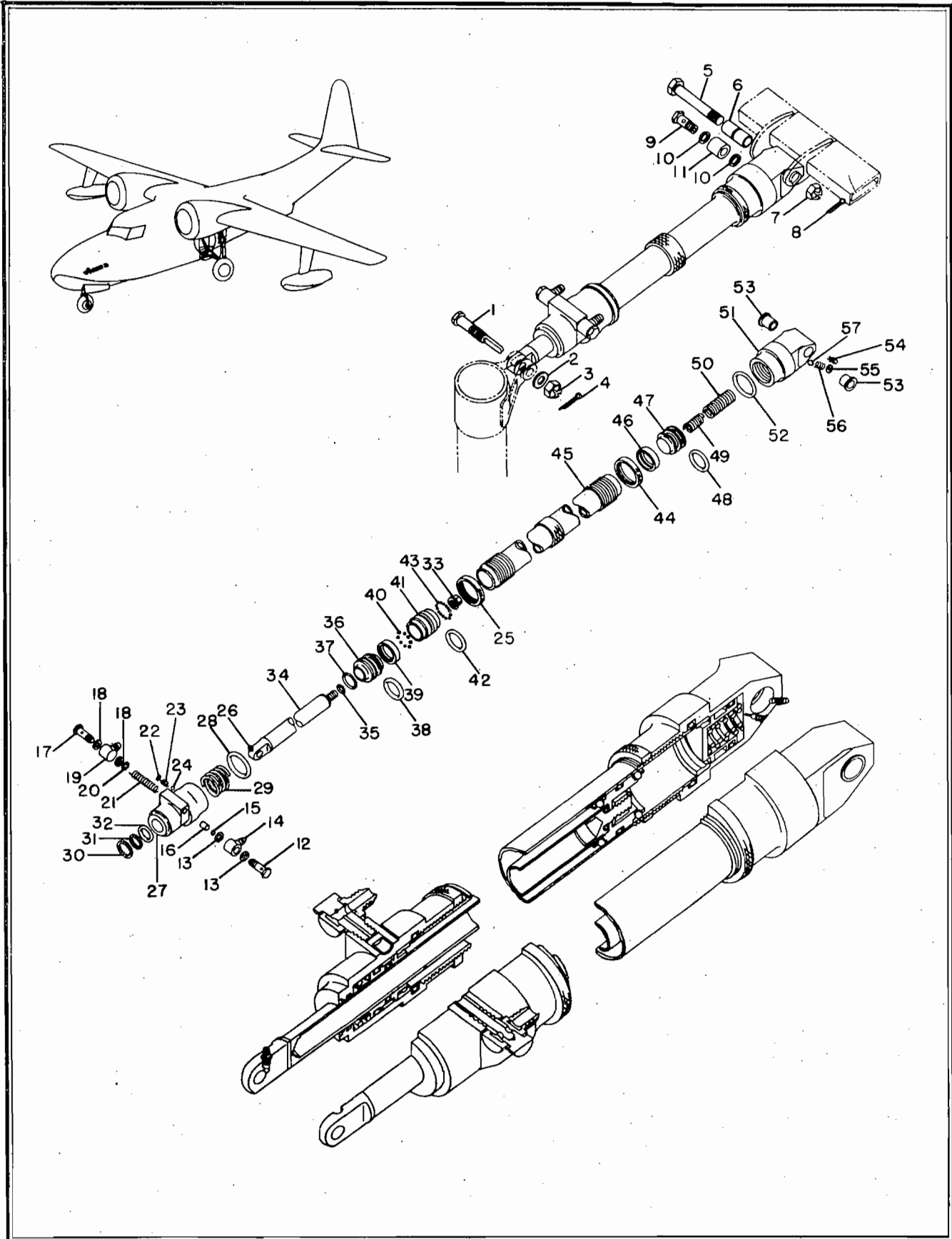


Figure 209—Nose Wheel Hydraulic Cylinder Assembly



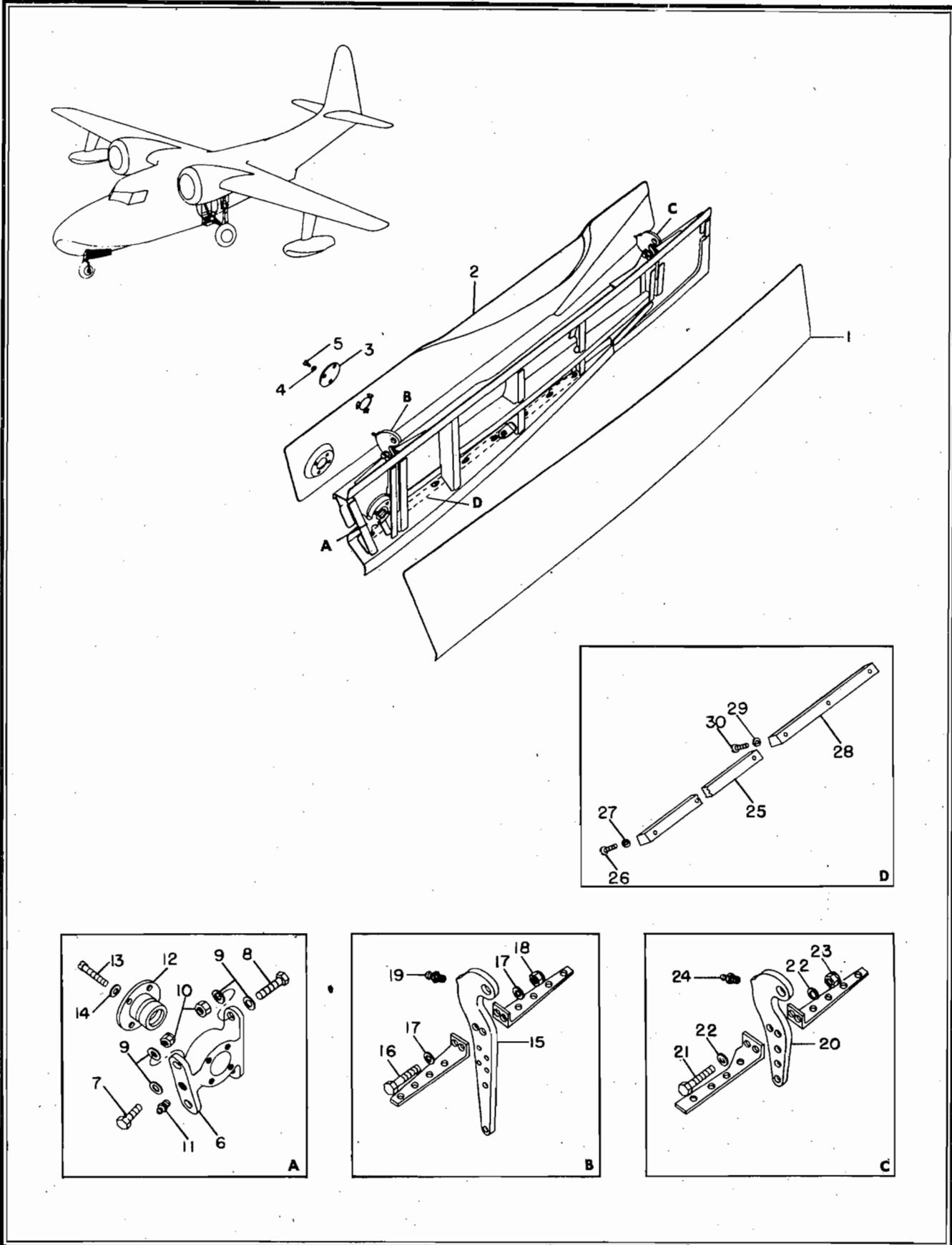
Section II
Group Assembly Parts List

Figure & Index No. Part No. Nomenclature 1 2 3 4 5 6 7 Units Per Assy Usage Code

ALIGHTING GEAR (Cont)

Nose Wheel Hydraulic Cylinder Assembly

Figure & Index No.	Part No.	Nomenclature	1	2	3	4	5	6	7	Units Per Assy	Usage Code
209-	109556	. Cylinder Assembly - Nose wheel hydraulic (iap) (See Fig. 205-46)								Ref	All
		ATTACHING PARTS									
-1	112520	. . . Bolt								1	All
-2	AN960-1016	. . . Washer								1	All
-3	AN310-10	. . . Nut								1	All
-4	AN380C4-4	. . . Cotter								1	All
-5	AN9-36	. . . Bolt								1	All
-6	G25-H9-209	. . . Bushing								1	All
-7	AN310-9	. . . Nut								1	All
-8	AN380C4-4	. . . Cotter								1	All
-9	AN775-6	. . . Bolt - Universal fitting								1	All
-10	AN901-6C	. . . Gasket								2	All
-11	AN777-6D	. . . Elbow - Universal 75°								1	All
-12	112832	. . . Bolt								1	All
-13	AN901-6C	. . . Gasket								2	All
-14	AN776-6D	. . . Elbow - Universal 90°								1	All
-15	AN6227-5	. . . Packing - "O" Ring								1	All
-16	112830	. . . Shuttle								1	All
-17	112831	. . . Bolt								1	All
-18	AN901-6C	. . . Gasket								2	All
-19	AN776-6D	. . . Elbow - Universal 90°								1	All
-20	AN6227-7	. . . Packing - "O" Ring								1	All
-21	G101-205	. . . Spring								1	All
-22	112834	. . . Retainer								1	All
-23	G101-199	. . . Spring								1	All
-24	Comm.	. . . Ball - Stainless steel .187 ± .002 D.								1	All
-25	G371-36	. . . Nut								1	All
-26	G39-2	. . . Lubricator								1	All
-27	112823	. . . Fitting								1	All
-28	AN6227-33	. . . Packing - "O" Ring								1	All
-29	G101-200	. . . Spring								1	All
-30	112835	. . . Washer								1	All
-31	AN6231-13	. . . Wiper - Packing gland ring								1	All
-32	AN6227-23	. . . Packing - "O" Ring								1	All
-33	52EB-108	. . . Nut (Elastic Stop Nut Corp.)								1	All
-34	112833	. . . Rod Assembly								1	All
-35	AN6227-12	. . . Packing - "O" Ring								1	All
-36	112818	. . . Plunger								1	All
-37	AN6227-23	. . . Packing - "O" Ring								1	All
-38	AN6227-29	. . . Packing - "O" Ring								1	All
-39	112819	. . . Lock								1	All
-40	G319-8	. . . Ball								8	All
-41	112820	. . . Piston								1	All
-42	AN6227-29	. . . Packing - "O" Ring								1	All
-43	G319-8	. . . Ball								14	All
-44	G371-36	. . . Nut								1	All
-45	112821	. . . Body								1	All
-46	112819	. . . Lock								1	All
-47	112817	. . . Plunger								1	All
-48	AN6227-29	. . . Packing - "O" Ring								1	All
-49	G101-202	. . . Spring								1	All
-50	G101-201	. . . Spring								1	All
-51	112822	. . . Fitting								1	All





Section II
Group Assembly Parts List

Figure & Index No.	Part No.	Nomenclature 1 2 3 4 5 6 7	Units Per Assy	Usage Code
ALIGHTING GEAR (Cont)				
Nose Wheel Hydraulic Cylinder Assembly (Cont)				
209-52	AN6227-33	. . . Packing - "O" Ring	1	All
-53	G27-12-24	. . . Bushing	2	All
-54	G39-2	. . . Lubricator	1	All
-55	112834	. . . Retainer	1	All
-56	G101-199	. . . Spring	1	All
-57	Comm.	. . . Ball - Stainless steel .187 ± .002 D.	1	All
Nose Wheel Compartment Door Assembly				
210-	108020L	. . . Door Assembly - Nose wheel compartment L.H. (iap) (See Fig. 205-59)	Ref	All
	108020R	. . . Door Assembly - Nose wheel compartment R.H. (iap) (See Fig. 205-59)	Ref	All
-1	108042L	. . . Skin - Outer L.H.	1	All
	108042R	. . . Skin - Outer R.H.	1	All
-2	108043L	. . . Skin - Inner L.H.	1	All
	108043R	. . . Skin - Inner R.H.	1	All
-3	108180	. . . Plate - Cover (iap)	1	All
ATTACHING PARTS				
-4	AN526-832-7 Screw	3	All
-5	AN960D8 Washer	3	All
-6	112518	. . . Fitting - Door operating (iap)	1	All
ATTACHING PARTS				
-7	AN4-6A Bolt	2	All
-8	AN4-11A Bolt	2	All
-9	AN960A416 Washer	8	All
-10	AN365-428 Nut	4	All
-11	G39-3 Lubricator	1	All
-12	112521	. . . Bushing (iap)	1	All
ATTACHING PARTS				
-13	AN502-10-14 Screw	4	All
-14	AN960C10 Washer	4	All
-15	112524	. . . Fitting - Hinge forward (iap)	1	All
ATTACHING PARTS				
-16	AN4-12A Bolt	2	All
-17	AN960A416 Washer	4	All
-18	AN365-428 Nut	2	All
-19	G39-3 Lubricator	1	All
-20	112525	. . . Fitting - Hinge aft (iap)	1	All
ATTACHING PARTS				
-21	AN4-12A Bolt	2	All
-22	AN960A416 Washer	4	All
-23	AN365-428 Nut	2	All
-24	G39-3 Lubricator	1	All
-25	111816-1	. . . Plate - Bearing (iap)	1	All
ATTACHING PARTS				
-26	AN515-8-14 Screw	5	All
-27	AN960C8 Washer	5	All

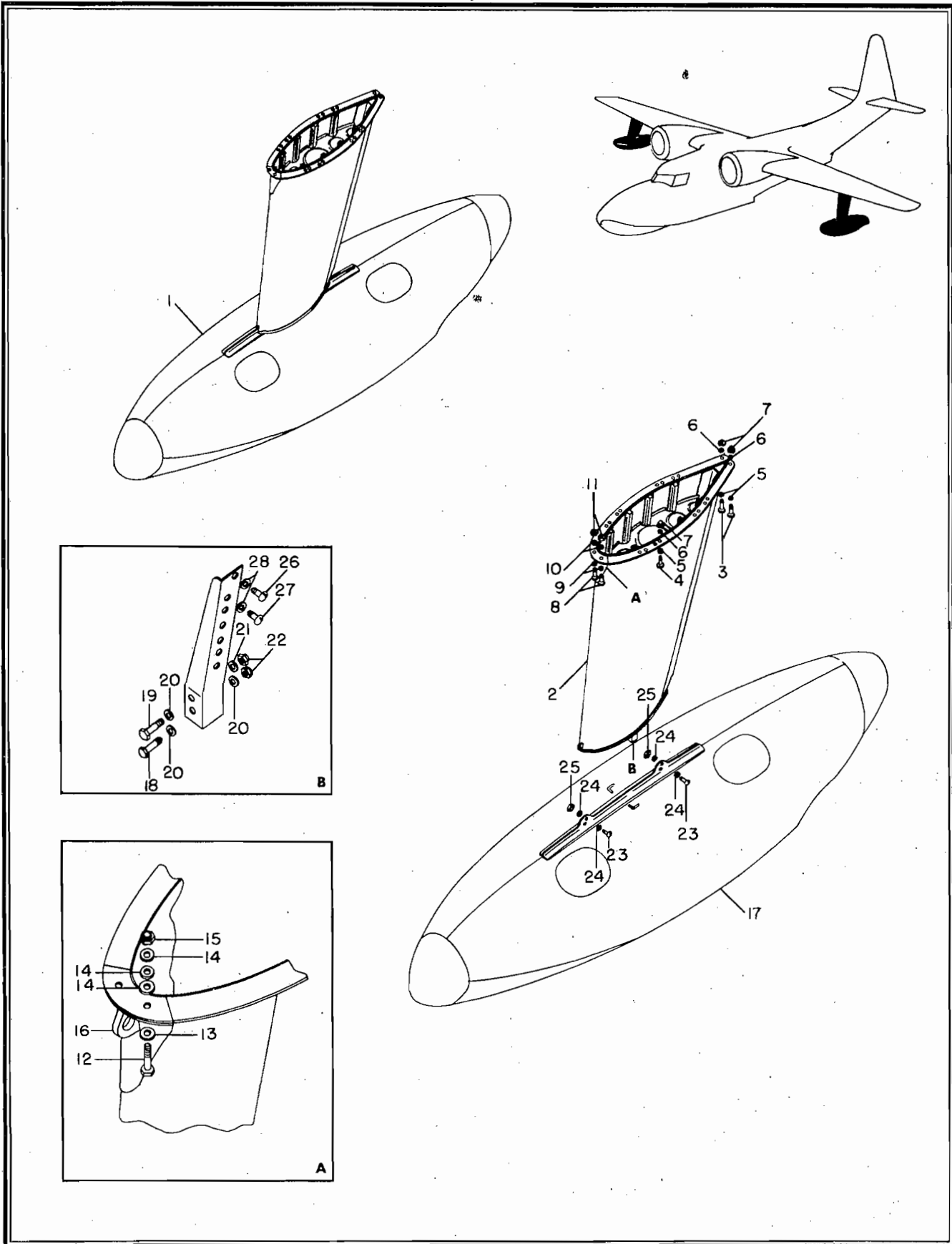


Figure 211—Wing Tip Float and Pedestal Installation



Section II
Group Assembly Parts List

Figure & Index No.	Part No.	Nomenclature							Units Per Assy	Usage Code
		1	2	3	4	5	6	7		
ALIGHTING GEAR (Cont)										
Nose Wheel Compartment Door Assembly (Cont)										
210-28	111816-2L	. .	Plate - Bearing L.H. (iap)					(L.H.)	1	All
	111816-2R	. .	Plate - Bearing R.H. (iap)					(R.H.)	1	All
		ATTACHING PARTS								
-29	AN515-8-14	. . .	Screw						3	All
-30	AN960C8	. . .	Washer						3	All
Wing Tip Float and Pedestal Installation										
211-1	108200		Float and Pedestal Installation - Wing tip						2	All
-2	108202	. .	Pedestal Assembly - Wing tip float (iap) (See Fig. 212)						1	All
		ATTACHING PARTS								
-3	AN4-10A	. .	Bolt						2	All
-4	AN4-11A	. .	Bolt						16	All
-5	AN960D416L	. . .	Washer						18	All
-6	AN960D416	. . .	Washer						18	All
-7	AN365-428	. . .	Nut						18	All
-8	AN4-10A	. .	Bolt						2	e
-9	AN960D416L	. . .	Washer						2	e
-10	AN960D416	. . .	Washer						2	e
-11	AN365-428	. . .	Nut						2	e
-12	AN4-12A	. . .	Bolt						2	f
-13	AN960D416L	. . .	Washer						6	f
-14	AN960D416	. . .	Washer						2	f
-15	AN365-428	. . .	Nut						2	f
-16	112011	. .	Fitting - Pedestal tie down						1	f
-17	108201	. .	Float Assembly - Wing tip plain type (iap) (See Fig. 213)						1	g
	108201-7	. .	Float Assembly - Wing tip tank type (iap) (See Fig. 213)						1	h
		ATTACHING PARTS								
-18	AN4-6A	. .	Bolt						2	g
-19	AN4-7A	. .	Bolt						2	g
-20	AN960D416L	. . .	Washer						6	g
-21	AN960D416	. . .	Washer						2	g
-22	AN364-428	. . .	Nut						4	g
-23	AN24-11A	. . .	Bolt						4	All
-24	AN960D416L	. . .	Washer						8	All
-25	AN364-428	. . .	Nut						4	All
-26	AN23-9A	. . .	Bolt						2	h
-27	AN23-8A	. . .	Bolt						12	h
-28	AN960A10L	. . .	Washer						14	h

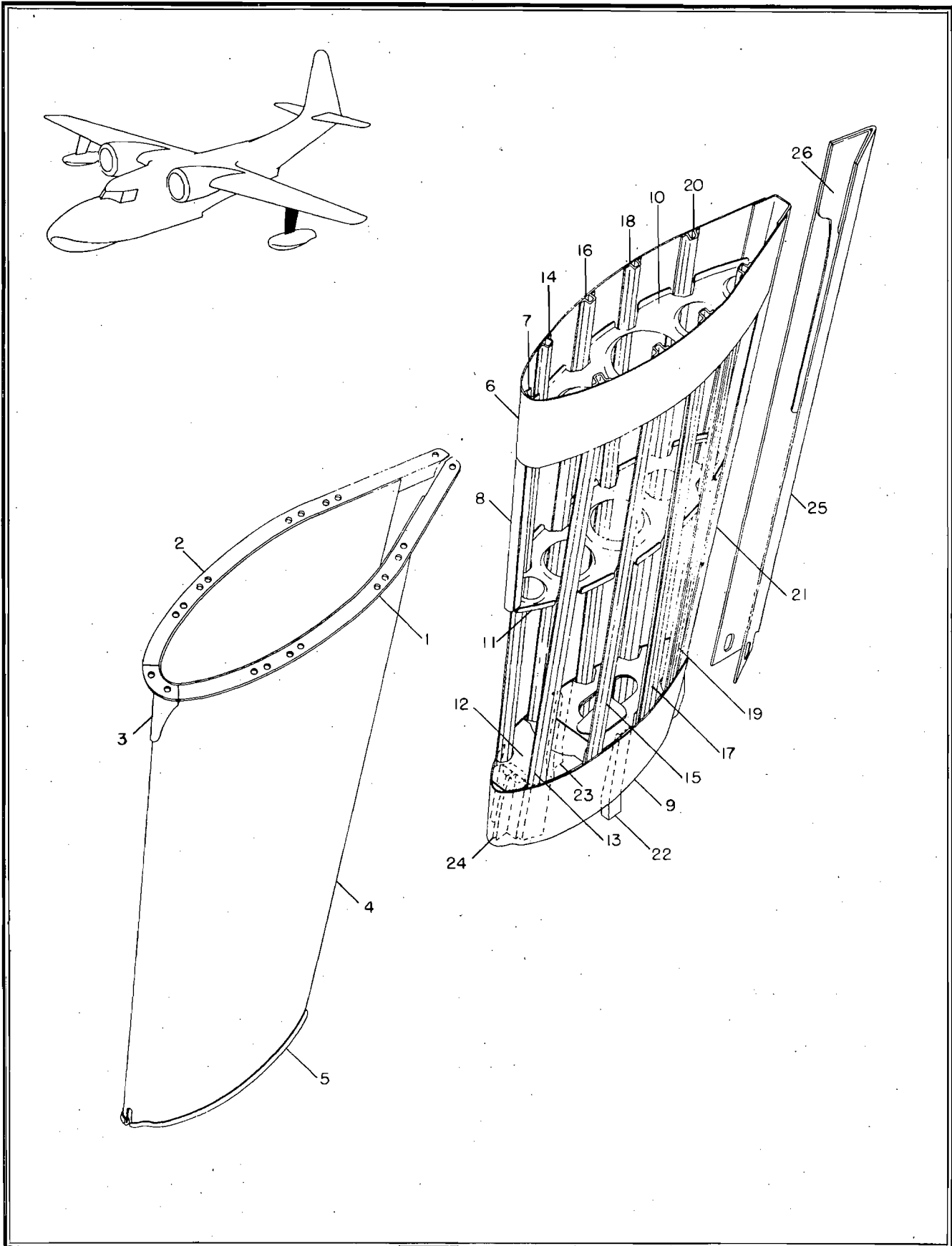


Figure 212—Wing Tip Float Pedestal Assembly



Figure & Index No.	Part No.	Nomenclature 1 2 3 4 5 6 7	Units Per Assy	Usage Code
-----------------------	----------	-------------------------------	-------------------	---------------

ALIGHTING GEAR (Cont)

Wing Tip Float Pedestal Assembly

212-	108202	. Pedestal Assembly - Wing tip float (iap) (See Fig. 211-2)	Ref	All
-1	108226L	. . Collar - Upper L.H.	1	All
-2	108226R	. . Collar - Upper R.H.	1	All
-3	112066	. . Fitting - Front	1	e
	112066-1	. . Fitting - Front	1	f
-4	108202-1	. . Skin	1	All
-5	01-006 Die 12	. . Channel - Rubber 35 in. (Goodrich Rubber Co.)	1	All
-6	108202-2	. . Reinforcement - Upper	1	All
-7	108231-3	. . Channel	1	All
-8	108231-1	. . Shim	1	All
-9	108202-3	. . Reinforcement - Lower	1	All
-10	108225-1	. . Rib	1	All
-11	108225-2	. . Rib	1	All
-12	108225-3	. . Rib Assembly	1	All
-13	108229-1L	. . Stringer L.H.	1	All
-14	108229-1R	. . Stringer R.H.	1	All
-15	108229-2L	. . Stringer L.H.	1	All
-16	108229-2R	. . Stringer R.H.	1	All
-17	108229-3L	. . Stringer L.H.	1	All
-18	108229-3R	. . Stringer R.H.	1	All
-19	188229-4L	. . Stringer L.H.	1	All
-20	108229-4R	. . Stringer R.H.	1	All
-21	108227	. . Channel Assembly - Rear	1	All
-22	108232L	. . Angle L.H.	1	g
-23	108232R	. . Angle R.H.	1	g
-24	108228	. . Channel Assembly - Forward	1	All
-25	108235	. . Cover - Trailing edge	1	All
-26	108231-2	. . Doubler	1	All

Wing Tip Float Assembly

213-	108201	. Float Assembly - Wing tip plain type (iap) (See Fig. 211-17)	Ref	g
	108201-7	. Float Assembly - Wing tip tank type (iap) (See Fig. 211-17)	Ref	h
-1	108232-1L	. . Angle L.H. (iap)	1	h
-2	108232-1R	. . Angle R.H. (iap)	1	h
		ATTACHING PARTS		
-3	AN4-6A	. . . Bolt	1	h
-4	AN4-7A	. . . Bolt	1	h
-5	AN960D416L	. . . Washer	3	h
-6	AN960D416	. . . Washer	1	h
-7	AN364-428	. . . Nut	2	h
-8	108205	. . Fitting (iap)	1	All
		ATTACHING PARTS		
-9	AN4-10A	. . . Bolt	4	All
-10	AN960D416L	. . . Washer	4	All
-11	AN960D416	. . . Washer	4	All
-12	AN365-428	. . . Nut	4	All
-13	108236	. . Tie down	1	All
-14	112028	. . Skeg	1	All
-15	108216-1	. . Angle - Keel forward	1	All
-16	108216-2	. . Angle - Keel aft	1	All

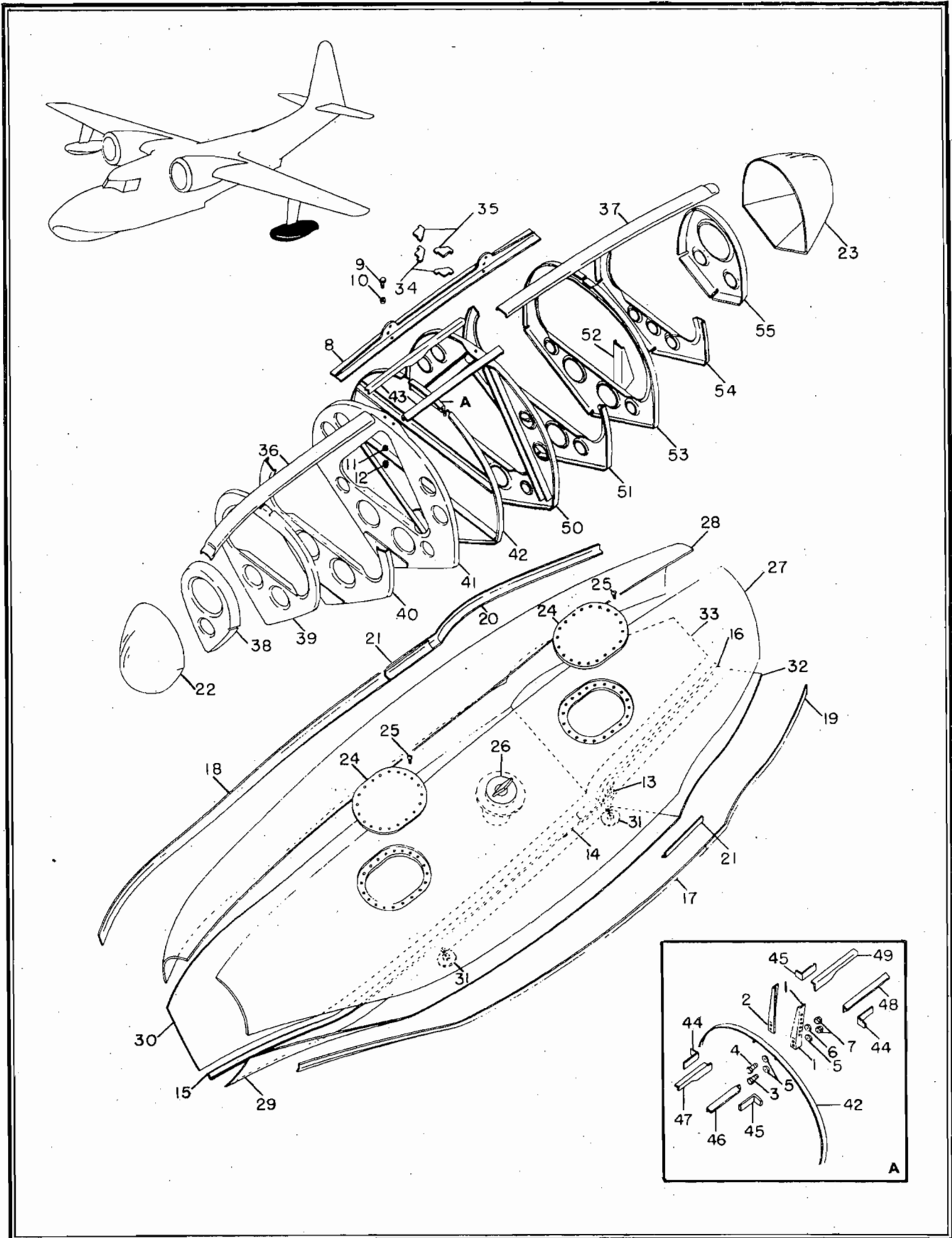


Figure 213—Wing Tip Float Assembly



Section II
Group Assembly Parts List

Figure & Index No.	Part No.	Nomenclature	Units Per Assy	Usage Code
		1 2 3 4 5 6 7		
ALIGHTING GEAR (Cont)				
Wing Tip Float Assembly (Cont)				
213-17	108217-1L	. . Angle - Chine forward L.H.	1	All
-18	108217-1R	. . Angle - Chine forward R.H.	1	All
-19	108217-2L	. . Angle - Chine aft L.H.	1	All
-20	108217-2R	. . Angle - Chine aft R.H.	1	All
-21	108230	. . Angle - Chine splice	2	All
-22	108219	. . Cap - Bow	1	All
-23	108220	. . Cap - Stern	1	All
-24	108223-2	. . Cover - Handhole (iap)	2	All
ATTACHING PARTS				
-25	G92-8	. . . Screw	20	All
-26	NAF1152-2	. . Neck - Filler	1	h
-27	108201-1L	. . Skin - Top L.H.	1	All
-28	108201-1R	. . Skin - Top R.H.	1	All
-29	108201-2L	. . Skin - Bottom forward L.H.	1	All
-30	108201-2R	. . Skin - Bottom forward R.H.	1	All
-31	12141	. . Plug - Drain	2	All
-32	108201-3L	. . Skin - Bottom aft L.H.	1	All
-33	108201-3R	. . Skin - Bottom aft R.H.	1	All
-34	108201-4	. . Seal - Watertight	2	All
-35	108201-5	. . Plate	2	All
-36	108218-1	. . Channel - Forward	1	All
-37	108218-2	. . Channel - Aft	1	All
-38	108206	. . Bulkhead - Sta. 1	1	All
-39	108207	. . Bulkhead - Sta. 2	1	All
-40	108208	. . Bulkhead - Sta. 3	1	All
-41	108209	. . Bulkhead - Sta. 4	1	All
-42	108210	. . Bulkhead - Sta. 5	1	All
-43	108221	. . Angle	2	g
-44	108241L	. . Angle L.H.	2	h
-45	108241R	. . Angle R.H.	2	h
-46	108240-1L	. . Angle L.H.	1	h
-47	108240-1R	. . Angle R.H.	1	h
-48	108240-2L	. . Angle L.H.	1	h
-49	108240-2R	. . Angle R.H.	1	h
-50	108211	. . Bulkhead - Sta. 6	1	All
-51	108212	. . Bulkhead - Sta. 7	1	All
-52	108237	. . Bracket	1	All
-53	108213	. . Bulkhead - Sta. 8	1	All
-54	108214	. . Bulkhead - Sta. 9	1	All
-55	108215	. . Bulkhead - Sta. 10	1	All

Section II
Group Assembly Parts List

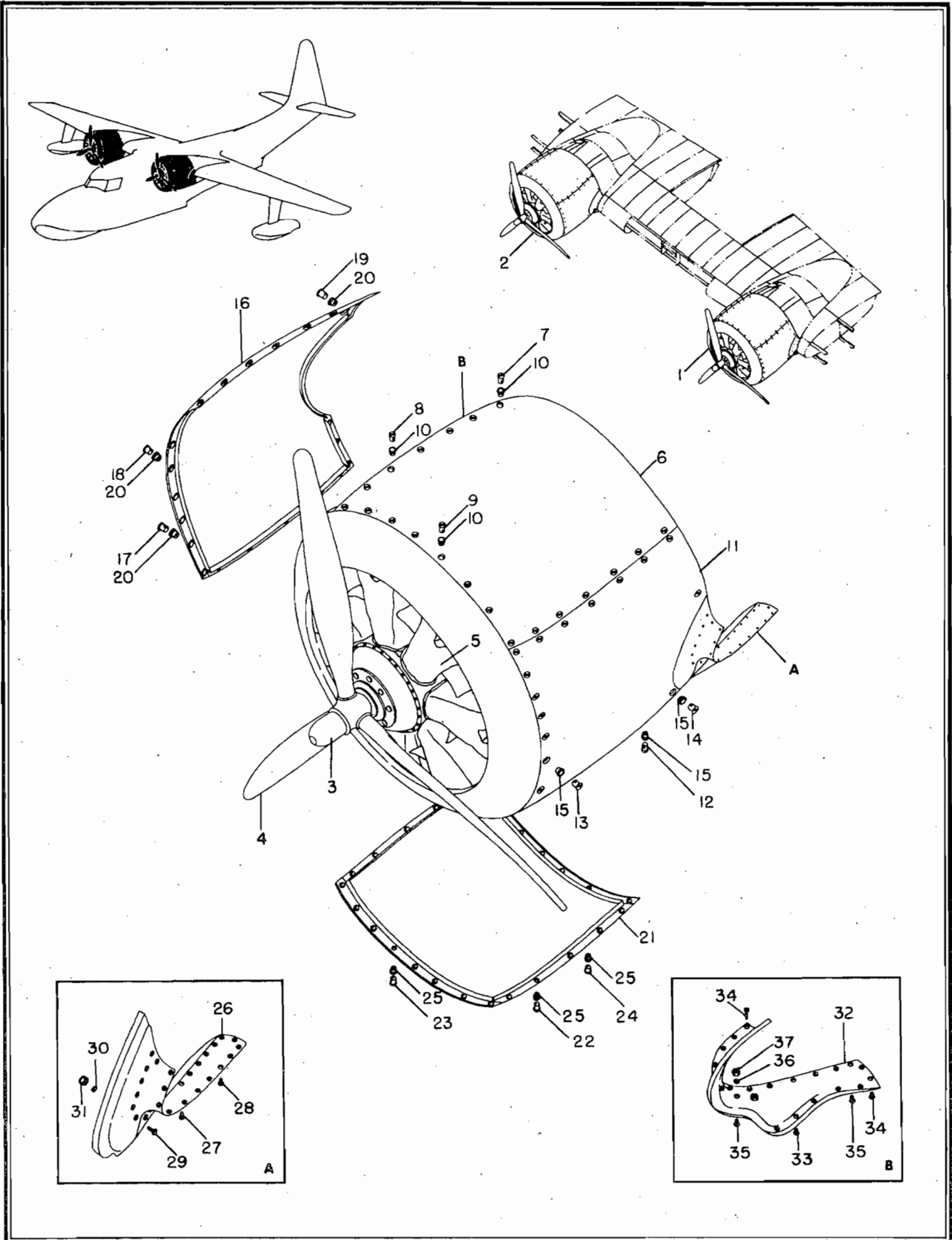


Figure 214—Quick Engine Change Unit



Figure & Index No.	Part No.	Nomenclature 1 2 3 4 5 6 7	Units Per Assy	Usage Code
POWER PLANT				
Quick Engine Change Unit				
214-1	GSR330-1L	Unit - Quick engine change L.H.	1	All
-2	GSR330-1R	Unit - Quick engine change R.H.	1	All
-3	23D40-41	. Hub - Propeller (Hamilton Standard Propellers Division of United Aircraft Corp.)	1	All
-4	6533A-18	. Blade - Propeller (Hamilton Standard Propellers Division of United Aircraft Corp.)	1	All
-5	R1340-S3H1 No Number	. Engine (Pratt & Whitney Aircraft Corp.)	1	All
	No Number	. Panels Installation - Removable nacelle L.H. (Reference Grumman drawing no. 108450) (L.H.)	1	All
	No Number	. Panels Installation - Removable nacelle R.H. (Reference Grumman drawing no. 108450) (R.H.)	1	All
-6	108320-2	. . Panel Assembly - Top	1	All
-7	FA5-45	. . . Fastener (Dzus Fastener Co., Inc.)	2	u
	FA6-1/2-55	. . . Fastener (Dzus Fastener Co., Inc.)	2	v
-8	FA5-40	. . . Fastener (Dzus Fastener Co., Inc.)	10	u
	FA6-1/2-50	. . . Fastener (Dzus Fastener Co., Inc.)	10	v
-9	FA5-50	. . . Fastener (Dzus Fastener Co., Inc.)	8	u
	FA6-1/2-60	. . . Fastener (Dzus Fastener Co., Inc.)	8	v
-10	GF5-225	. . . Grommet (Dzus Fastener Co., Inc.)	20	u
	GF6-1/2-250	. . . Grommet (Dzus Fastener Co., Inc.)	20	v
-11	108320-1L	. . Panel Assembly L.H. (L.H.)	1	All
	108320-1R	. . Panel Assembly R.H. (R.H.)	1	All
-12	FA5-40	. . . Fastener (Dzus Fastener Co., Inc.)	11	u
	FA6-1/2-50	. . . Fastener (Dzus Fastener Co., Inc.)	12	v
-13	FA5-50	. . . Fastener (Dzus Fastener Co., Inc.)	8	u
	FA6-1/2-60	. . . Fastener (Dzus Fastener Co., Inc.)	8	v
-14	FA5-45	. . . Fastener (Dzus Fastener Co., Inc.)	4	u
	FA6-1/2-55	. . . Fastener (Dzus Fastener Co., Inc.)	3	v
-15	GF5-225	. . . Grommet (Dzus Fastener Co., Inc.)	23	u
	GF6-1/2-250	. . . Grommet (Dzus Fastener Co., Inc.)	23	v
-16	108320-1R	. . Panel Assembly R.H. (L.H.)	1	All
	108320-1L	. . Panel Assembly L.H. (R.H.)	1	All
-17	FA5-40	. . . Fastener (Dzus Fastener Co., Inc.)	11	u
	FA6-1/2-50	. . . Fastener (Dzus Fastener Co., Inc.)	12	v
-18	FA5-50	. . . Fastener (Dzus Fastener Co., Inc.)	8	u
	FA6-1/2-60	. . . Fastener (Dzus Fastener Co., Inc.)	8	v
-19	FA5-45	. . . Fastener (Dzus Fastener Co., Inc.)	4	u
	FA6-1/2-55	. . . Fastener (Dzus Fastener Co., Inc.)	3	v
-20	GF5-225	. . . Grommet (Dzus Fastener Co., Inc.)	23	u
	GF5-250	. . . Grommet (Dzus Fastener Co., Inc.)	23	v
-21	108320-3	. . Panel Assembly - Bottom	1	All
-22	FA5-40	. . . Fastener (Dzus Fastener Co., Inc.)	10	u
	FA6-1/2-50	. . . Fastener (Dzus Fastener Co., Inc.)	10	v
-23	FA5-50	. . . Fastener (Dzus Fastener Co., Inc.)	8	u
	FA6-1/2-60	. . . Fastener (Dzus Fastener Co., Inc.)	8	v
-24	FA5-45	. . . Fastener (Dzus Fastener Co., Inc.)	7	u
	FA6-1/2-55	. . . Fastener (Dzus Fastener Co., Inc.)	7	v
-25	GF5-225	. . . Grommet (Dzus Fastener Co., Inc.)	25	u
	GF6-1/2-250	. . . Grommet (Dzus Fastener Co., Inc.)	25	v
-26	108456-1L	. . Fairing Assembly - Wing to nacelle outboard L.H. (iap) (L.H.)	1	All
	108456-1R	. . Fairing Assembly - Wing to nacelle outboard R.H. (iap) (R.H.)	1	All
ATTACHING PARTS				
-27	G92-7	. . . Screw	6	All

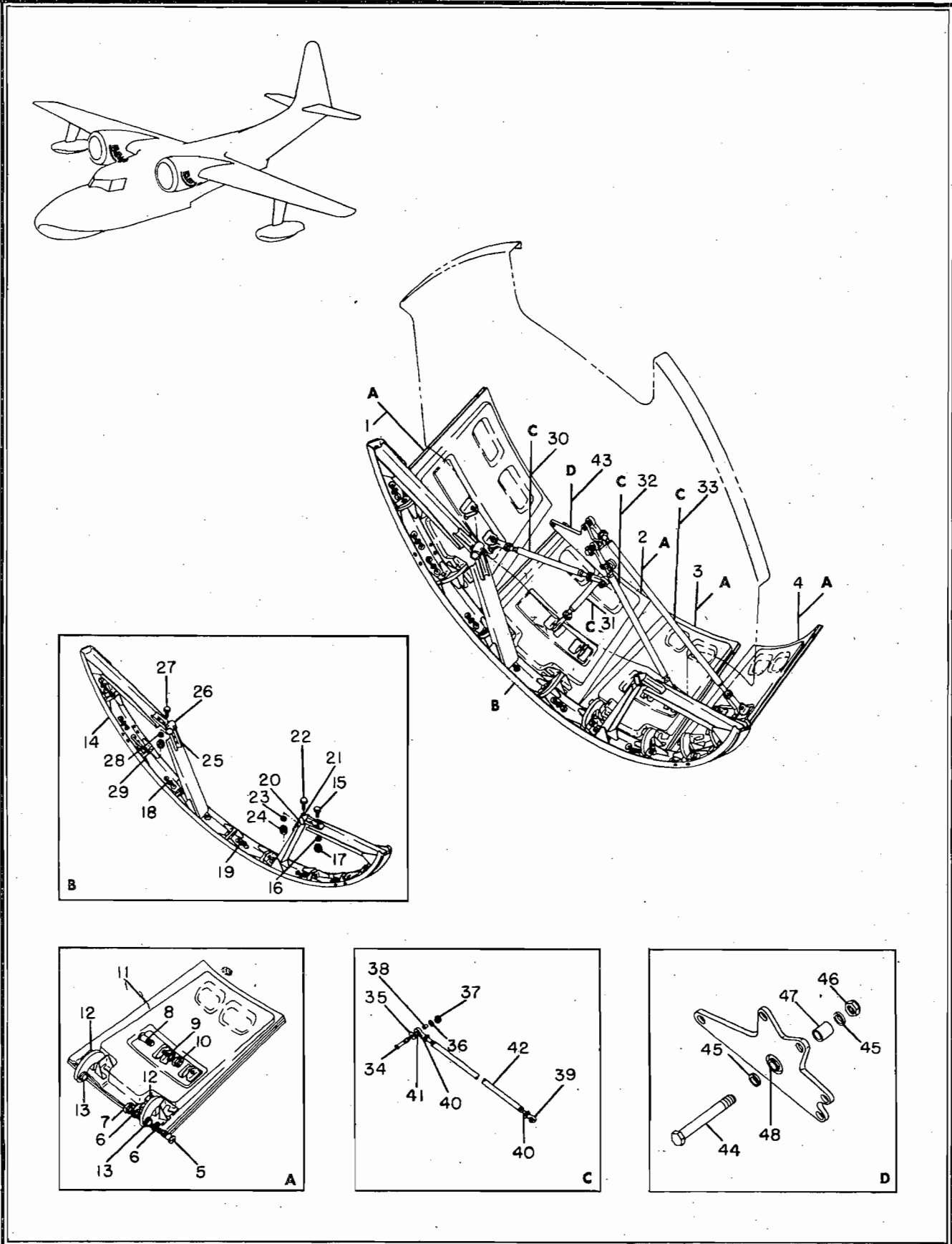


Figure 215—Cowl Flaps Installation



Section II
Group Assembly Parts List

Figure & Index No.	Part No.	Nomenclature	1 2 3 4 5 6 7	Units Per Assy	Usage Code
-----------------------	----------	--------------	---------------	-------------------	---------------

POWER PLANT (Cont)

Quick Engine Change Unit (Cont)

214-28	G92-8	. . . Screw		13	All
-29	G92-6	. . . Screw		8	All
-30	AN960-8L	. . . Washer		8	All
-31	AN365-832	. . . Nut		8	All
-32	108457-1L	. . Fairing Assembly - Wing to nacelle inboard L.H. (iap)		1	All
	108457-1R	. . Fairing Assembly - Wing to nacelle inboard R.H. (iap)		1	All
ATTACHING PARTS					
-33	G92-7	. . . Screw		6	All
-34	G92-8	. . . Screw		9	All
-35	G92-6	. . . Screw		12	All
-36	AN960-8L	. . . Washer		8	All
-37	AN365-832	. . . Nut		8	All

Cowl Flaps Installation

215-	108400L	. . Flaps Installation - Cowl L.H.		1	All
	108400R	. . Flaps Installation - Cowl R.H.		1	All
-1	108401-6L	. . . Flap Assembly - Upper inboard cowl L.H. (See index nos. 5 to 13 for detail parts) (iap)		1	All
	108401-6R	. . . Flap Assembly - Upper inboard cowl R.H. (See index nos. 5 to 13 for detail parts) (iap)		1	All
-2	108401-7L	. . . Flap Assembly - Lower inboard cowl L.H. (See index nos. 5 to 13 for detail parts) (iap)		1	All
	108401-7R	. . . Flap Assembly - Lower inboard cowl R.H. (See index nos. 5 to 13 for detail parts) (iap)		1	All
-3	108401-8L	. . . Flap Assembly - Lower outboard cowl L.H. (See index nos. 5 to 13 for detail parts) (iap)		1	All
	108401-8R	. . . Flap Assembly - Lower outboard cowl R.H. (See index nos. 5 to 13 for detail parts) (iap)		1	All
-4	108401-9L	. . . Flap Assembly - Upper outboard cowl L.H. (See index nos. 5 to 13 for detail parts) (iap)		1	All
	108401-9R	. . . Flap Assembly - Upper outboard cowl R.H. (See index nos. 5 to 13 for detail parts) (iap)		1	All
ATTACHING PARTS					
-5	AN23-12A Bolt		2	All
-6	AN960D10L Washer		4	All
-7	AN364-1032 Nut		2	All
-8	AN23-15A Bolt		1	All
-9	AN960-10 Washer		1	All
-10	AN364-1032 Nut		1	All
-11	108401-1L Flap Assembly - Anodized L.H.		1	All
	108401-1R Flap Assembly - Anodized R.H.		1	All
-12	108403-1 Arm - Hinge		2	All
-13	KS3L Bearing (Fafnir Bearing Co.)		1	All

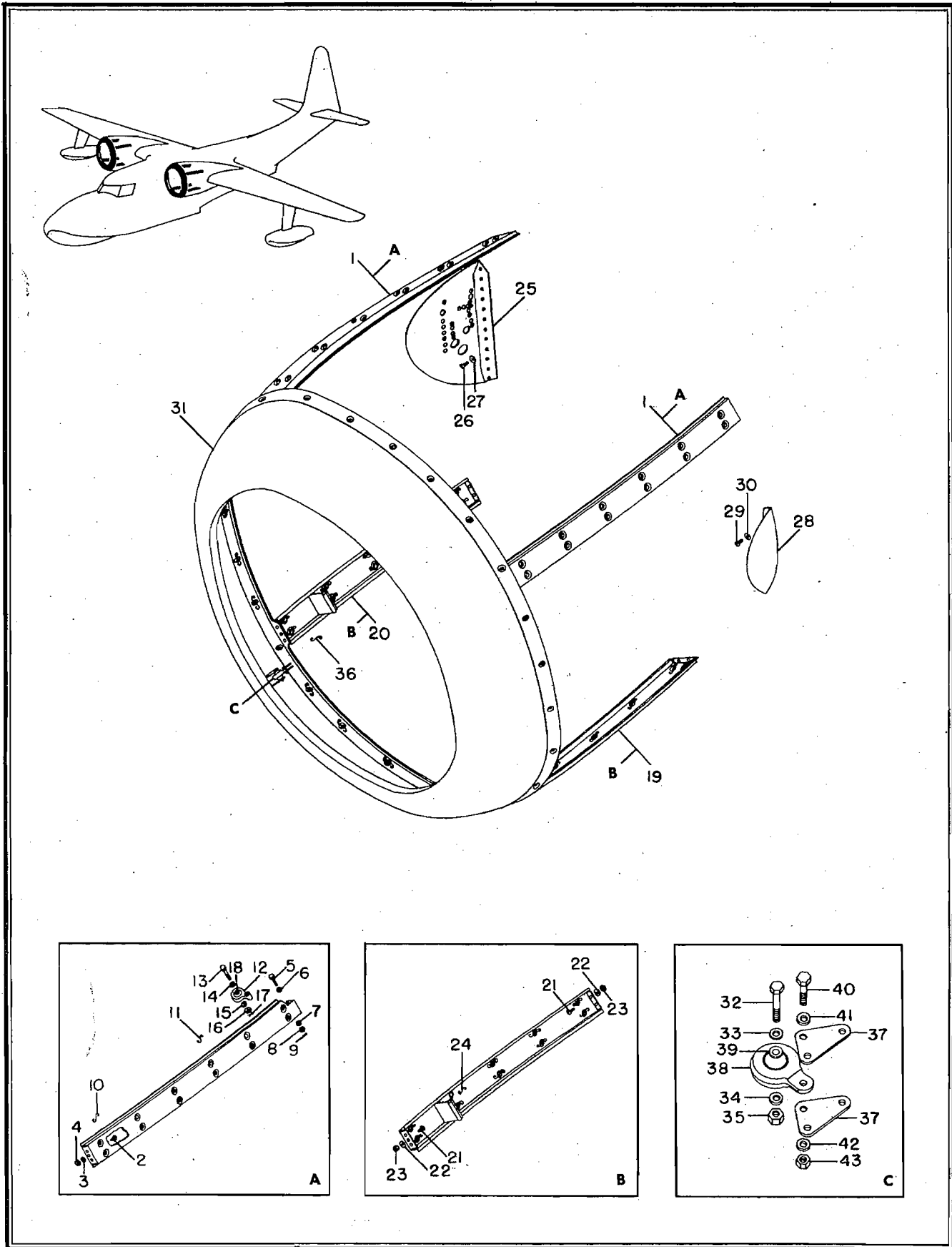


Figure 216—Fixed Nose Cowling Assembly



Section II
Group Assembly Parts List

Figure & Index No.	Part No.	Nomenclature	Units Per Assy	Usage Code
		1 2 3 4 5 6 7		
POWER PLANT (Cont)				
Cowl Flaps Installation (Cont)				
215-14	108404L	. . . Channel Assembly - Cowl flap support L.H. (iap)	(L.H.) 1	All
	108404R	. . . Channel Assembly - Cowl flap support R.H. (iap)	(R.H.) 1	All
ATTACHING PARTS				
-15	AN3-4A Bolt	8	All
-16	AN960D10L Washer	8	All
-17	AN365-1032 Nut	8	All
-18	S5A-300 Spring (Dzus Fastener Co., Inc.)	13	u
	S6A-400 Spring (Dzus Fastener Co., Inc.)	9	v
-19	1-90B Spring (Dzus Fastener Co., Inc.)	4	v
-20	108408-1L	. . . Clamp Assembly L.H.	(L.H.) 1	All
	108408-1R	. . . Clamp Assembly R.H.	(R.H.) 1	All
-21	108408-2L	. . . Clamp Assembly L.H.	(L.H.) 1	All
	108408-2R	. . . Clamp Assembly R.H.	(R.H.) 1	All
ATTACHING PARTS FOR INDEX NOS. 20 & 21				
-22	AN4-12A	. . . Bolt	2	All
-23	AN960-416	. . . Washer	2	All
-24	AN365-428	. . . Nut	2	All
-25	108408-1R	. . . Clamp Assembly R.H.	(L.H.) 1	All
	108408-1L	. . . Clamp Assembly L.H.	(R.H.) 1	All
-26	108408-2R	. . . Clamp Assembly R.H.	(L.H.) 1	All
	108408-2L	. . . Clamp Assembly L.H.	(R.H.) 1	All
ATTACHING PARTS FOR INDEX NOS. 25 & 26				
-27	AN4-12A	. . . Bolt	2	All
-28	AN960-416	. . . Washer	2	All
-29	AN365-428	. . . Nut	2	All
-30	108412-1	. . . Rod Assembly - Push (iap)	1	All
-31	108412-2	. . . Rod Assembly - Push (iap)	1	All
-32	108412-3	. . . Rod Assembly - Push (iap)	1	All
-33	108412-4	. . . Rod Assembly - Push (iap)	1	All
ATTACHING PARTS				
-34	AN24-24A Bolt (for Index nos. 30 & 32)	1	All
-34	AN24-19A Bolt (for Index nos. 31 & 33)	1	All
-35	G338-4 Washer	1	All
-36	AN960D416L Washer	1	All
-37	AN364-428 Nut	1	All
-38	G5-D4-32 Spacer (for Index nos. 30 & 32)	1	All
-38	G5-D4-12 Spacer (for Index nos. 31 & 33)	1	All
-39	RE4F5 Bearing - Rod end (Fafnir Bearing Co.)	1	All
-40	AN316-5R Nut	2	All
-41	REB3N2 Bearing - Rod end (Fafnir Bearing Co.)	1	All
-42	108412-5 Rod Assembly - Riveted (for Index no. 30)	1	All
-42	108412-6 Rod Assembly - Riveted (for Index no. 31)	1	All
-42	108416-7 Rod Assembly - Riveted (for Index no. 32)	1	All
-42	108416-8 Rod Assembly - Riveted (for Index no. 33)	1	All
-43	108411L	. . . Bellcrank Assembly - Cowl flap mechanism L.H. (iap)	(L.H.) 1	All
	108411R	. . . Bellcrank Assembly - Cowl flap mechanism R.H. (iap)	(R.H.) 1	All
ATTACHING PARTS				
-44	AN5-33 Bolt	1	All

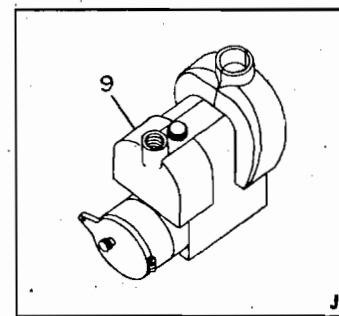
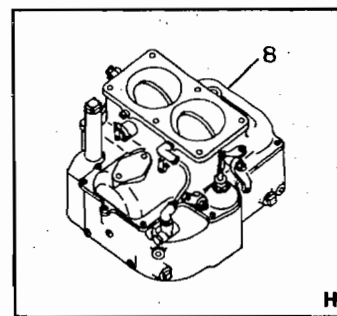
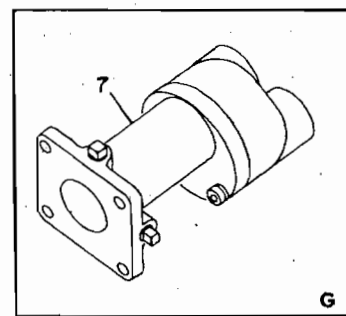
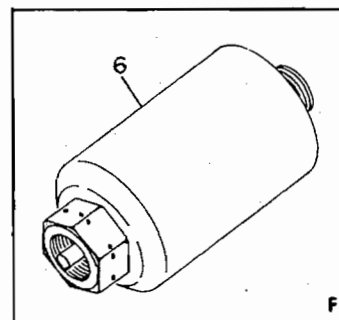
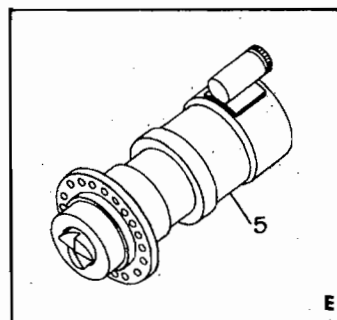
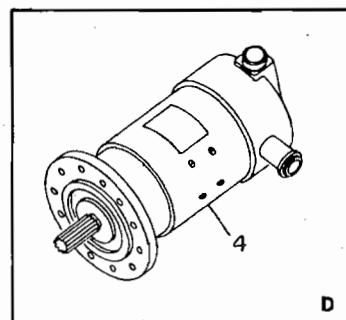
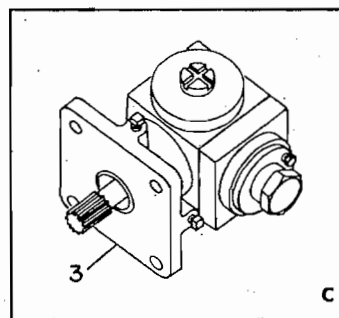
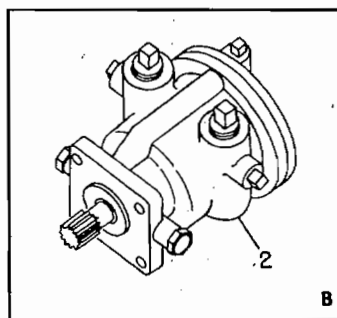
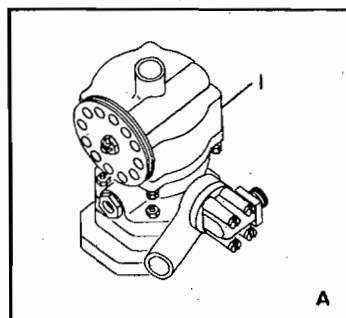
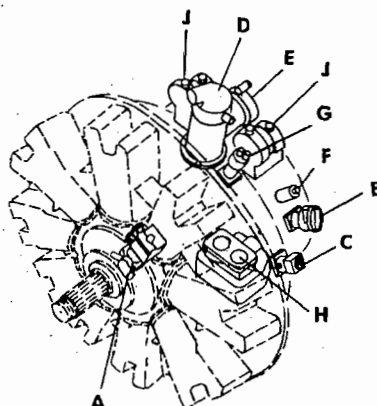
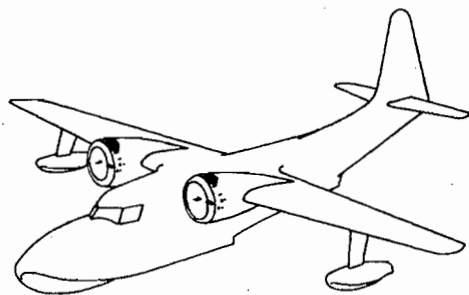


Figure 217—Quick Engine Change Unit Accessories



Section II
Group Assembly Parts List

Figure & Index No.	Part No.	Nomenclature							Units Per Assy	Usage Code
		1	2	3	4	5	6	7		
POWER PLANT (Cont)										
Cowl Flaps Installation (Cont)										
215-45	AN960-516	Washer			2	All
-46	AN365-524	Nut			1	All
-47	108400-1	Spacer			1	All
-48	BC5W10	Bearing (Fafnir Bearing Co.)			1	All
Fixed Nose Cowling Assembly										
216-	No Number	Cowling Assembly - Fixed nose L.H. (Reference Grumman drawing no. 108450)	(L.H.)		1	All
	No Number	Cowling Assembly - Fixed nose R.H. (Reference Grumman drawing no. 108450)	(R.H.)		1	All
-1	108318-1	Channel Assembly - Upper (iap)			2	All
ATTACHING PARTS										
-2	AN520-10-7	Screw			3	All
-3	AN960-10L	Washer			3	All
-4	AN365-1032	Nut			3	All
-5	AN4-7	Bolt			1	All
-6	AN960D416L	Washer			1	All
-7	AN960-416L	Washer			1	All
-8	AN310-4	Nut			1	All
-9	AN380C2-2	Cotter			1	All
-10	S5A-300	Spring (Dzus Fastener Co., Inc.)			12	u
	S6A-400	Spring (Dzus Fastener Co., Inc.)			10	v
-11	1-90B	Spring (Dzus Fastener Co., Inc.)			2	v
-12	26785	Link Assembly - Attaching (iap)			2	All
ATTACHING PARTS										
-13	AN4-15	Bolt			1	All
-14	AN960D416L	Washer			1	All
-15	AN960-416	Washer			1	All
-16	AN310-4	Nut			1	All
-17	AN380C2-2	Cotter			1	All
-18	G300	Bushing			1	All
-19	108318-2L	Channel Assembly - Lower L.H. (iap)	(L.H.)		1	All
	108318-2R	Channel Assembly - Lower R.H. (iap)	(R.H.)		1	All
-20	108318-2R	Channel Assembly - Lower R.H. (iap)	(L.H.)		1	All
	108318-2L	Channel Assembly - Lower L.H. (iap)	(R.H.)		1	All
ATTACHING PARTS										
-21	AN520-10-7	Screw			5	All
-22	AN960-10L	Washer			5	All
-23	AN365-1032	Nut			5	All
-24	S5A-300	Spring (Dzus Fastener Co., Inc.)			10	u
	S6A-400	Spring (Dzus Fastener Co., Inc.)			10	v
-25	108431-1	Seal Assembly - Inboard wing fillet (iap)	(L.H.)		1	All
	108431-2	Seal Assembly - Inboard wing fillet (iap)	(R.H.)		1	All
ATTACHING PARTS										
-26	AN515-8-8	Screw			12	All
-27	AN960-8L	Washer			12	All

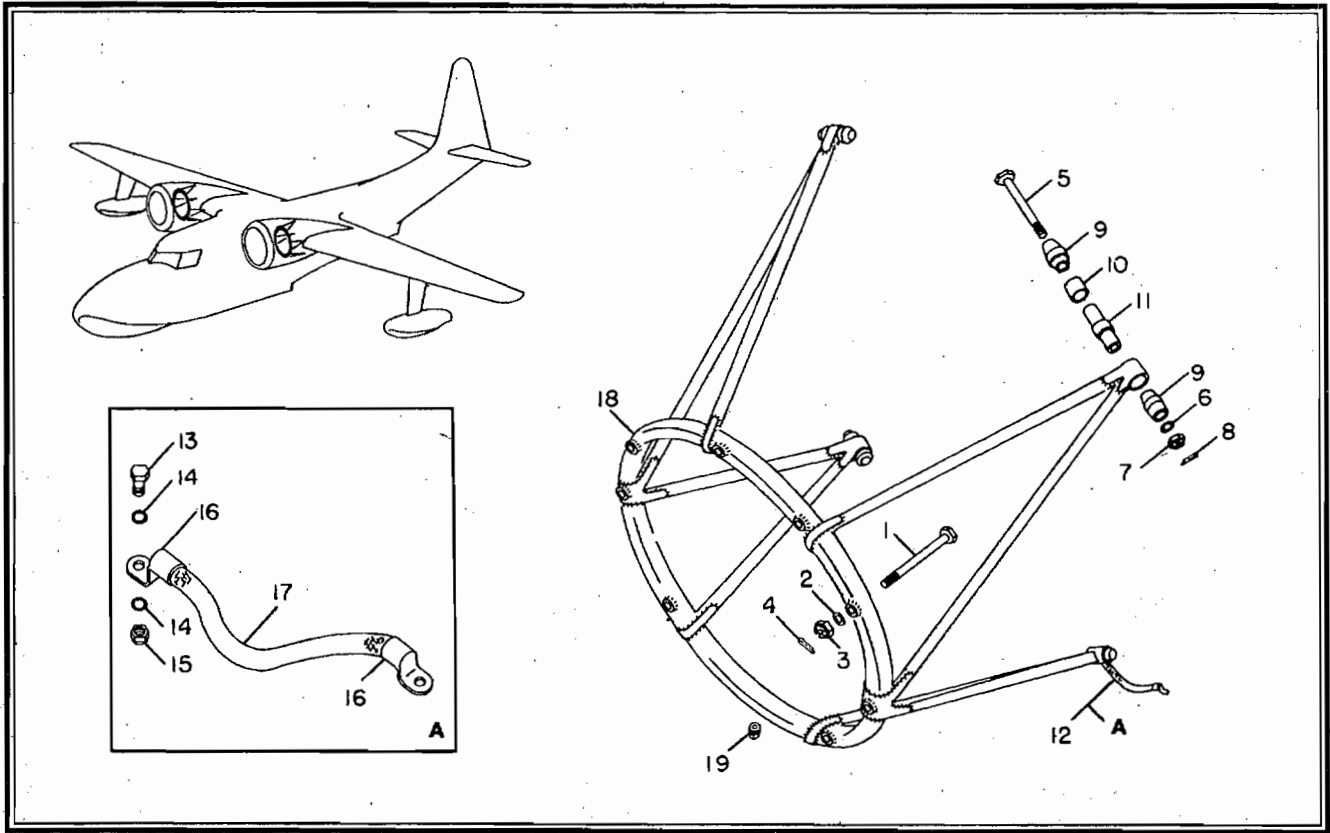


Figure 218—Engine Mount Assembly



Section II
Group Assembly Parts List

Figure & Index No.	Part No.	Nomenclature 1 2 3 4 5 6 7	Units Per Assy	Usage Code
POWER PLANT (Cont)				
Fixed Nose Cowling Assembly (Cont)				
216-28	108429L	. . Seal Assembly - Outboard wing fillet L.H. (iap) (L.H.)	1	All
	108429R	. . Seal Assembly - Outboard wing fillet R.H. (iap) (R.H.)	1	All
ATTACHING PARTS				
-29	AN515-8-8	. . . Screw	9	All
-30	AN960-8L	. . . Washer	9	All
-31	108316	. . Spinning Assembly - Fixed nose (iap)	1	All
ATTACHING PARTS				
-32	AN4-15	. . . Bolt	9	All
-33	AN960D416L	. . . Washer	9	All
-34	AN960-416	. . . Washer	9	All
-35	AN365-428	. . . Nut	9	All
-36	S5A-300	. . . Spring (Dzus Fastener Co., Inc.)	32	u
	S6A-400	. . . Spring (Dzus Fastener Co., Inc.)	32	v
-37	108317	. . Link - Cowl attaching	18	All
-38	108327	. . Link Assembly - Vibration isolator	9	All
-39	G300	. . . Bushing	1	All
-40	AN4-7A	. . Bolt	27	All
-41	AN960D416L	. . Washer	27	All
-42	AN960-416L	. . Washer	27	All
-43	AN365-428	. . Nut	27	All
Quick Engine Change Unit Accessories				
217-1	4K11-T4T	. Governor - Propeller (Hamilton Standard Propellers Division of United Aircraft Corp.)	1	as
	1K11-J4T	. Governor - Propeller (Hamilton Standard Propellers Division of United Aircraft Corp.)	1	at
-2	3870	. Pump - Vacuum (Romec Pump Co.) or B-2B (Eclipse Aviation Division of Bendix Aviation Corp.)	1	All
-3	2P-R400BMB	. Pump - Engine driven fuel (Pump Engineering Service Corp. Division of Borg-Warner Corp.)	1	All
-4	1273-3	. Generator (Eclipse Aviation Division of Bendix Aviation Corp.)	1	All
-5	1416-15	. Starter (Eclipse Aviation Division of Bendix Aviation Corp.)	1	All
-6	1001G-02-0	. Generator - Tachometer (Kollsman Instrument Division of Square D Co.)	1	All
-7	011001-040-01	. Pump - Hydraulic (Pump Engineering Service Corporation Division of Borg-Warner Corp.)	1	All
-8	NA-Y9E1	. Carburetor (Eclipse Aviation Division of Bendix Aviation Corp.)	1	All
-9	SB9RN	. Magneto (Scintilla Magneto Division of Bendix Aviation Corp.)	2	All

Section II
Group Assembly Parts List

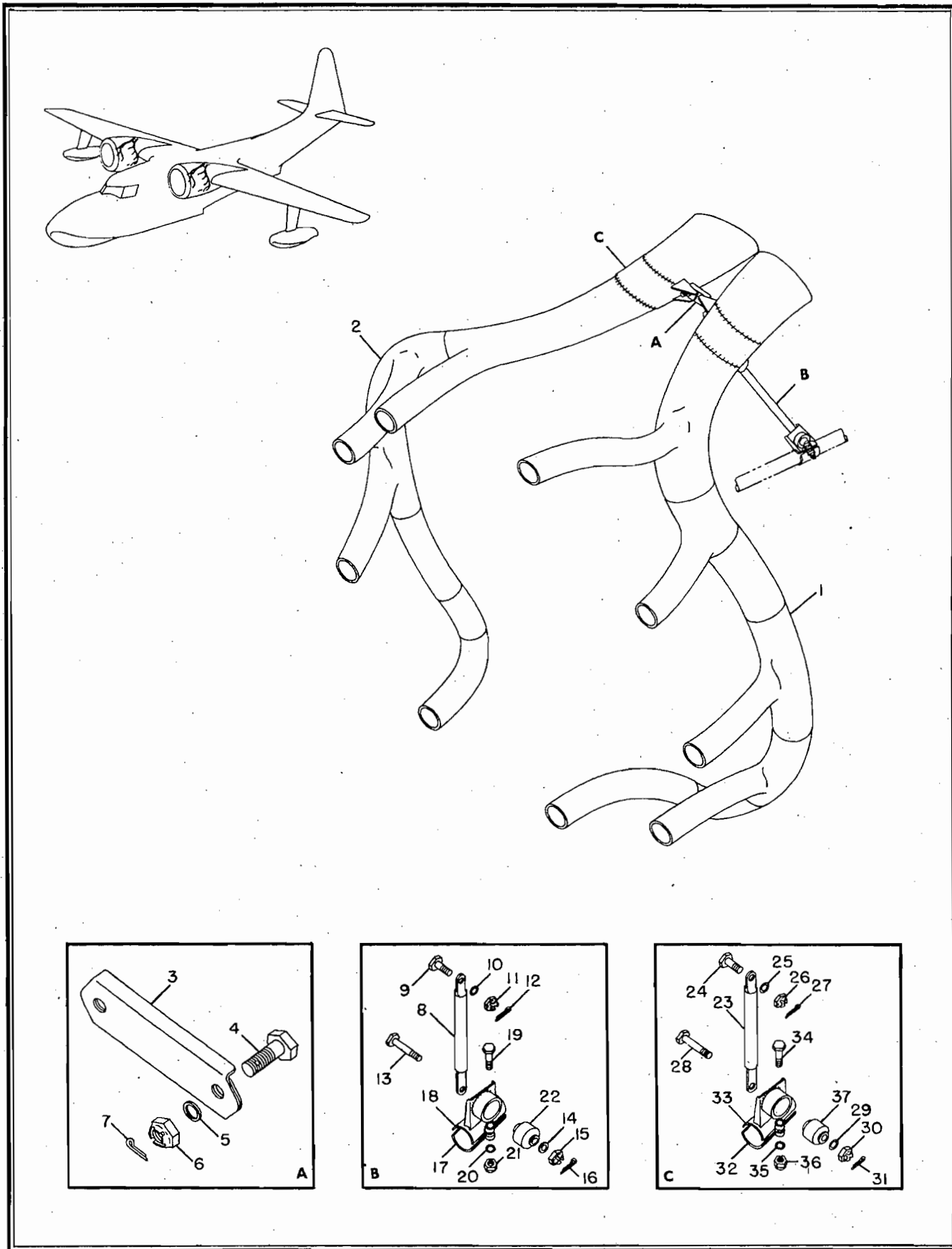


Figure 219—Exhaust System Installation



Section II
Group Assembly Parts List

Figure & Index No.	Part No.	Nomenclature	Units Per Assy	Usage Code
		1 2 3 4 5 6 7		
POWER PLANT (Cont)				
Engine Mount Assembly				
218-	108300	Mount Assembly - Engine (iap)	1	All
ATTACHING PARTS				
-1	AN7-51	. . Bolt	4	All
-2	AN960-716	. . Washer	4	All
-3	AN310-7	. . Nut	4	All
-4	AN380C3-3	. . Cotter	4	All
-5	AN6-50	. . Bolt	4	All
-6	AN960-616	. . Washer	4	All
-7	AN310-6	. . Nut	4	All
-8	AN380C3-3	. . Cotter	4	All
-9	H-5006	. . Isolator - Vibration (Lord Manufacturing Co.)	8	All
-10	108300-32	. . Spacer	4	All
-11	112600	. . Bushing	4	All
-12	110106	. . Strap - Bonding (iap)	1	All
ATTACHING PARTS				
-13	AN3-5	. . . Bolt	2	All
-14	AN960-10	. . . Washer	4	All
-15	AN365-1032	. . . Nut	2	All
-16	G72	. . . Terminal (The Thomas & Betts Co.)	2	All
-17	3/4 x 5	. . . Braid - Shielding (John A. Roebling's Sons Co.)	1	All
-18	108300-1	. . Mount Assembly - Welded	1	All
-19	AN913-1	. . Plug	1	All
Exhaust System Installation				
219-	109004	. System Installation - Exhaust	1	All
-1	109025-1	. . Manifold Assembly	1	All
-2	109025-2	. . Manifold Assembly	1	All
-3	109036	. . Channel - Tail pipe support (iap)	1	All
ATTACHING PARTS				
-4	AN4-5	. . . Bolt	2	All
-5	AN960-416	. . . Washer	2	All
-6	AN310-4	. . . Nut	2	All
-7	AN380C2-2	. . . Cotter	2	All
-8	109037-1	. . Brace Assembly - Tail pipe	1	All
ATTACHING PARTS				
-9	AN4-6	. . Bolt	1	All
-10	AN960-416	. . Washer	1	All
-11	AN310-4	. . Nut	1	All
-12	AN380C2-2	. . Cotter	1	All
-13	AN4-14	. . Bolt	1	All
-14	AN960-416	. . Washer	1	All
-15	AN310-4	. . Nut	1	All
-16	AN380C2-2	. . Cotter	1	All
-17	109236-3	. . Clamp - Half	1	All
-18	109237-1	. . Clamp - Half	1	All
ATTACHING PARTS FOR INDEX NOS. 17 & 18				
-19	AN4-12	. . Bolt	2	All

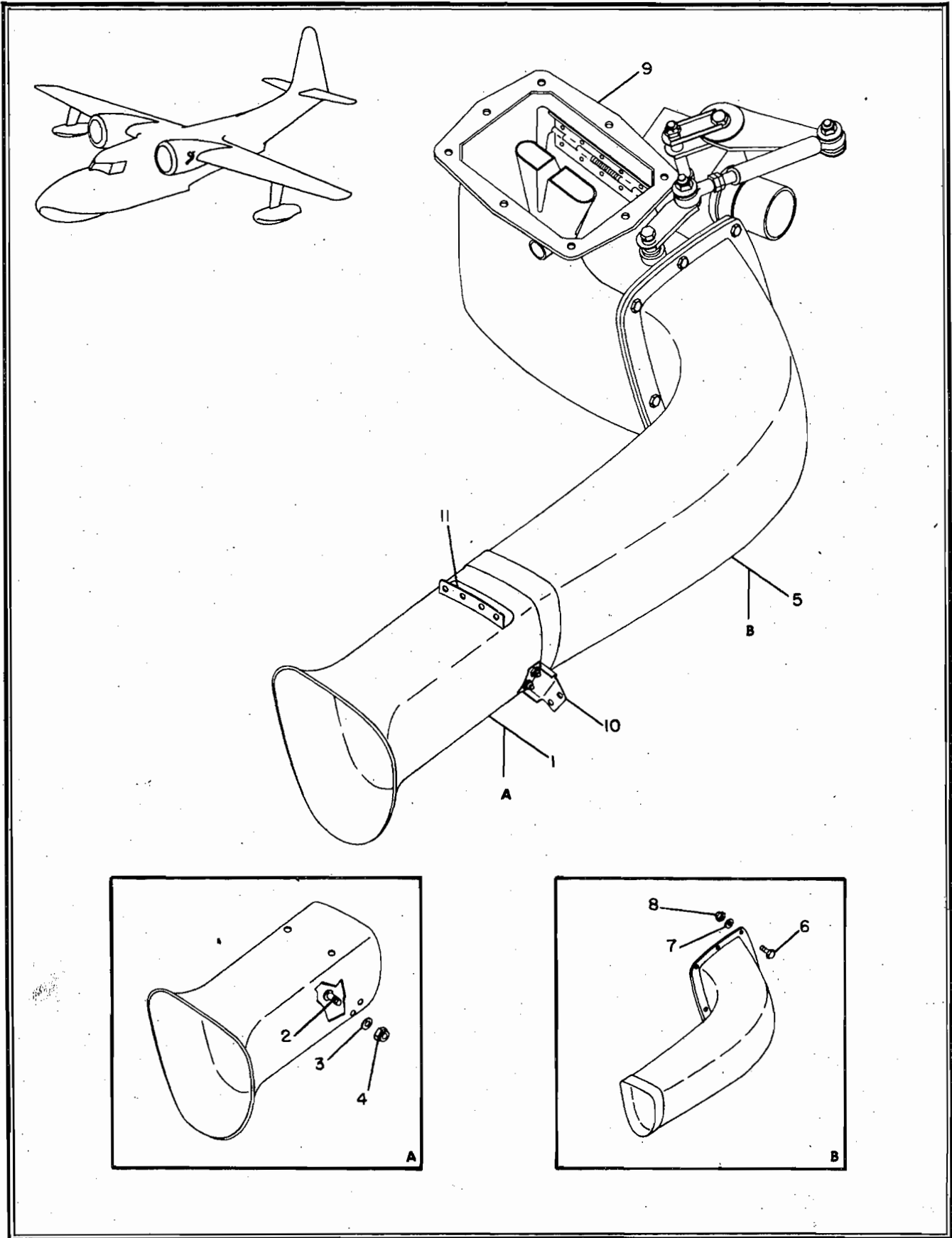


Figure 220—Induction System Installation



Section II
Group Assembly Parts List

Figure & Index No.	Part No.	Nomenclature							Units Per Assy	Usage Code
		1	2	3	4	5	6	7		
POWER PLANT (Cont)										
Exhaust System Installation (Cont)										
219-20	AN960-416	. .							2	All
-21	AN365-428	. .							2	All
-22	G300	. . .							1	All
-23	109037-2	. .							1	All
ATTACHING PARTS										
-24	AN4-6	. .							1	All
-25	AN960-416	. .							1	All
-26	AN310-4	. .							1	All
-27	AN380C2-2	. .							1	All
-28	AN4-14	. .							1	All
-29	AN960-416	. .							1	All
-30	AN310-4	. .							1	All
-31	AN380C2-2	. .							1	All
-32	109236-3	. .							1	All
-33	109237-2	. .							1	All
ATTACHING PARTS FOR INDEX NOS. 32.& 33										
-34	AN4-12	. .							2	All
-35	AN960-416	. .							2	All
-36	AN365-428	. .							2	All
-37	G300	. . .							1	All
Induction System Installation										
220-	109005	. .							1	All
-1	109051	. .							1	All
ATTACHING PARTS										
-2	AN526-832-8	. . .							6	All
-3	AN960D8L	. . .							6	All
-4	AN365-832	. . .							6	All
-5	109055	. .							1	All
ATTACHING PARTS										
-6	AN3-6A	. . .							8	All
-7	AN960D10L	. . .							8	All
-8	AN365-1032	. . .							8	All
-9	109053-1	. .							1	w
	109120-1	. .							1	x
-10	109052-1	. .							1	All
-11	109052-2	. .							1	All

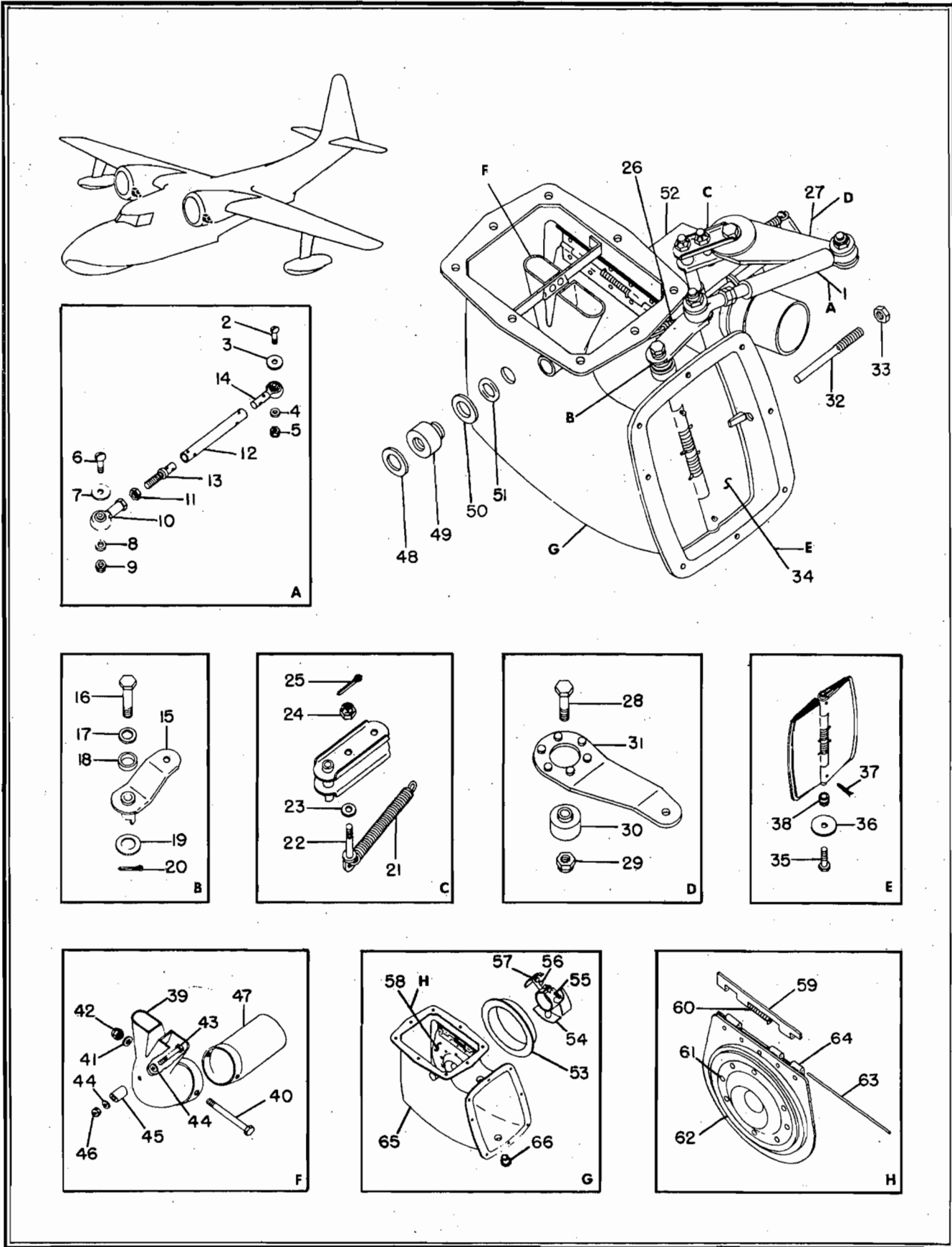


Figure 221—Header and Heater Valve Assembly (See Figure 222)



Figure & Index No.	Part No.	Nomenclature 1 2 3 4 5 6 7	Units Per Assy	Usage Code
POWER PLANT (Cont)				
Header and Heater Valve Assembly				
221-	109053-1	. . . Valve Assembly - Header and heater (See Fig. 220-9)	Ref	w
-1	109038	. . . Rod Assembly - Push (iap)	1	w
ATTACHING PARTS				
-2	AN23-15A Bolt	1	w
-3	G338-3 Washer	1	w
-4	AN960D10 Washer	1	w
-5	AN364-1032 Nut	1	w
-6	AN24-16A Bolt	1	w
-7	G338-4 Washer	1	w
-8	AN960D416 Washer	1	w
-9	AN364-428 Nut	1	w
-10	RE4F5 Bearing (Fafnir Bearing Co.)	1	w
-11	AN316-5R Nut	1	w
-12	109038-1 Rod Assembly - Riveted	1	w
-13	G332-1P End - Rod	1	w
-14	RE3H5 Bearing (Fafnir Bearing Co.)	1	w
-15	109070-1	. . . Bellcrank Assembly - Protected air door (iap)	1	w
ATTACHING PARTS				
-16	AN5-15 Bolt	1	w
-17	AN960-516 Washer	1	w
-18	G5-8-14 Spacer	1	w
-19	AN960-816 Washer	1	w
-20	AN380C2-4 Cotter	1	w
-21	G102-118	. . . Spring	1	w
-22	AN42-12	. . . Bolt	1	w
-23	AN960-10	. . . Washer	1	w
-24	AN310-3	. . . Nut	1	w
-25	AN380C2-2	. . . Cotter	1	w
-26	G102-119	. . . Spring	1	w
-27	109039	. . . Bellcrank Assembly - Idler (iap)	1	w
ATTACHING PARTS				
-28	AN4-11 Bolt	1	w
-29	AN365-428 Nut	1	w
-30	BC4W10 Bearing (Fafnir Bearing Co.)	1	w
-31	109040 Bellcrank	1	w
-32	58398	. . . Screw - Stop	1	w
-33	AN340-516	. . . Nut	1	w
-34	109056	. . . Door Assembly - Protected air (iap)	1	w
ATTACHING PARTS				
-35	AN5-11 Bolt	1	w
-36	AN970-5 Washer	1	w
-37	AN380C2-4 Cotter	1	w
-38	G25-H5-8 Bushing	1	w
-39	109103-1	. . . Nozzle - "Y" (iap)	1	w
ATTACHING PARTS				
-40	AN4-25 Bolt	1	w
-41	AN960D416 Washer	1	w
-42	R1S428 Nut (Boots Aircraft Nut Corp.)	1	w
-43	AN3-12 Bolt	1	w
-44	AN960D10 Washer	2	w
-45	109053-4 Spacer	1	w
-46	AN365-1032 Nut	1	w
-47	SX5013-2 Tube	1	w

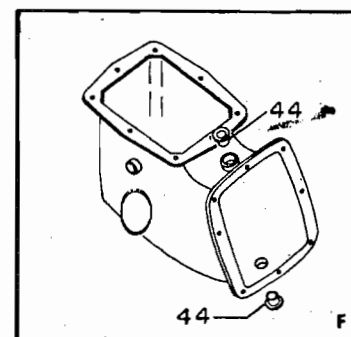
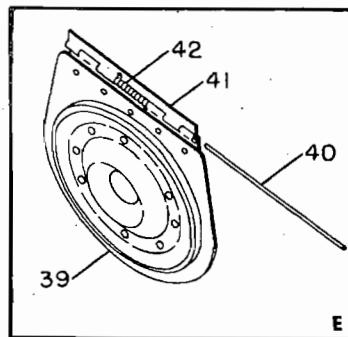
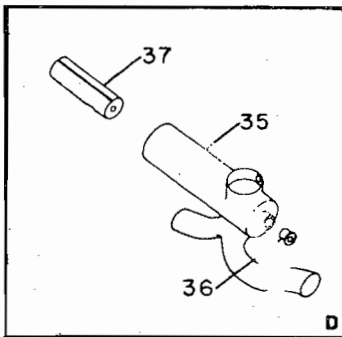
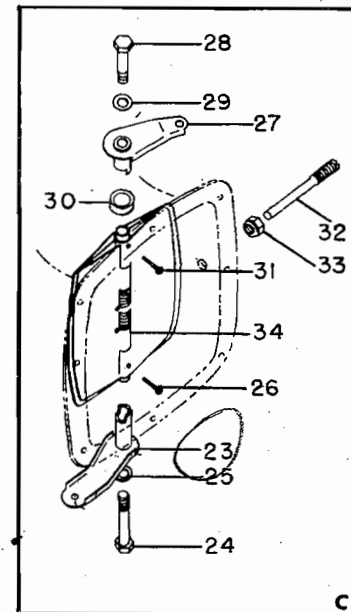
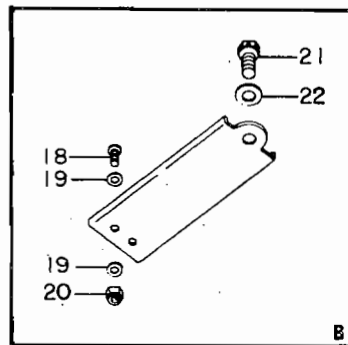
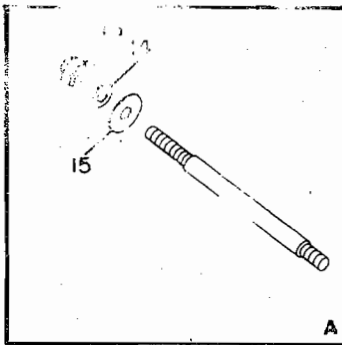
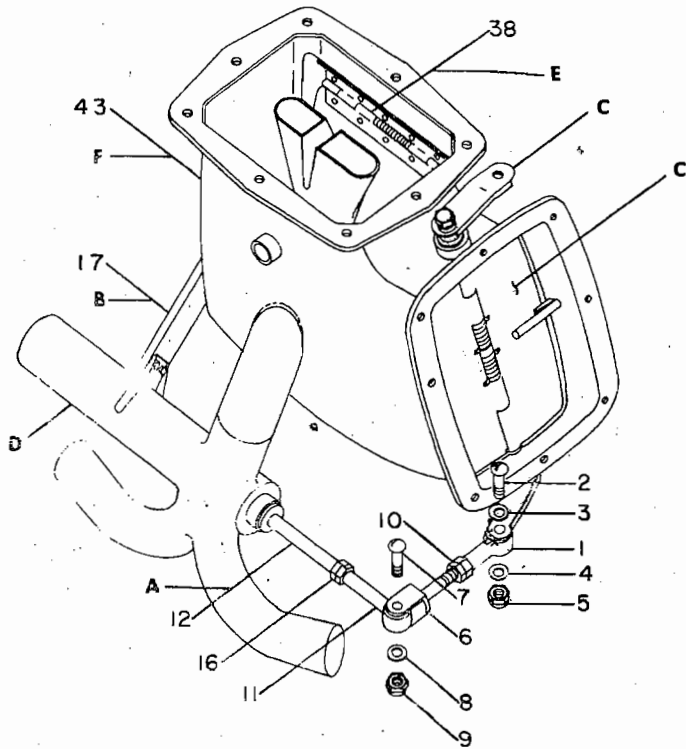
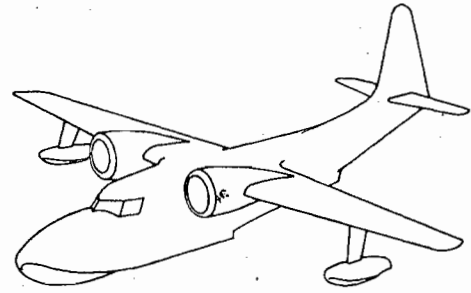


Figure 222—Header and Heater Valve Assembly (See Figure 221)



Figure & Index No.	Part No.	Nomenclature							Units Per Assy	Usage Code
		1	2	3	4	5	6	7		
POWER PLANT (Cont)										
Header and Heater Valve Assembly (Cont)										
221-48	AN960D1016	Washer						1	W
-49	109107	Bushing - Temperature bulb						1	W
-50	AN960D1016L	Washer						1	W
-51	AN900-10	Gasket						1	W
-52	109068	Valve Assembly - Heater (See Fig. 223)						1	W
-53	109067	Collar - Heater valve support						1	W
-54	109066	Spider Assembly - Welded (iap)						1	W
ATTACHING PARTS										
-55	AN520-10-18	Screw						1	W
-56	AN960D10	Washer						1	W
-57	AN365-1032	Nut						1	W
-58	109062	Door Assembly - Alternate air						1	W
-59	109063-2	Leaf - Hinge						1	W
-60	G104-20	Spring						1	W
-61	109064-1	Seal						1	W
-62	109062-1	Door Sub-Assembly						1	W
-63	109062-2	Pin - Hinge						1	W
-64	109063-1	Leaf - Hinge						1	W
-65	109054	Header Assembly - Welded						1	W
-66	109106-2	Bushing						2	W
222-	109120-1	Valve Assembly - Header and heater (See Fig. 220-9)						Ref	X
-1	RE4F5	Bearing - Rod end (Fafnir Bearing Co.)						1	X
ATTACHING PARTS										
-2	AN24-16A	Bolt						1	X
-3	G338-4	Washer						1	X
-4	AN960D416	Washer						1	X
-5	AN364-428	Nut						1	X
-6	112674-1	Terminal - Air valve control arm (iap)						1	X
ATTACHING PARTS										
-7	AN24-18A	Bolt						1	X
-8	AN960D416	Washer						1	X
-9	AN364-428	Nut						1	X
-10	AN316-5R	Nut						1	X
-11	RE4F5	Bearing - Rod end (Fafnir Bearing Co.)						1	X
-12	112671-1	Shaft - Heater valve control (iap)						1	X
ATTACHING PARTS										
-13	R1S428	Nut (Boots Aircraft Nut Corp.)						1	X
-14	AN960D416	Washer						1	X
-15	G338-4	Washer						1	X
-16	AN316-5R	Nut						1	X
-17	109119-1	Brace - Heater valve (iap)						1	X
ATTACHING PARTS										
-18	AN520-10-8	Screw						2	X
-19	AN960D10	Washer						4	X
-20	AN365-1032	Nut						2	X
-21	AN75A-4	Bolt						1	X
-22	AN960D516	Washer						1	X
-23	109070-3	Bellcrank - Protected air door (iap)						1	X
ATTACHING PARTS										
-24	AN5-21	Bolt						1	X
-25	AN960-516	Washer						1	X
-26	AN380C2-4	Cotter						1	X

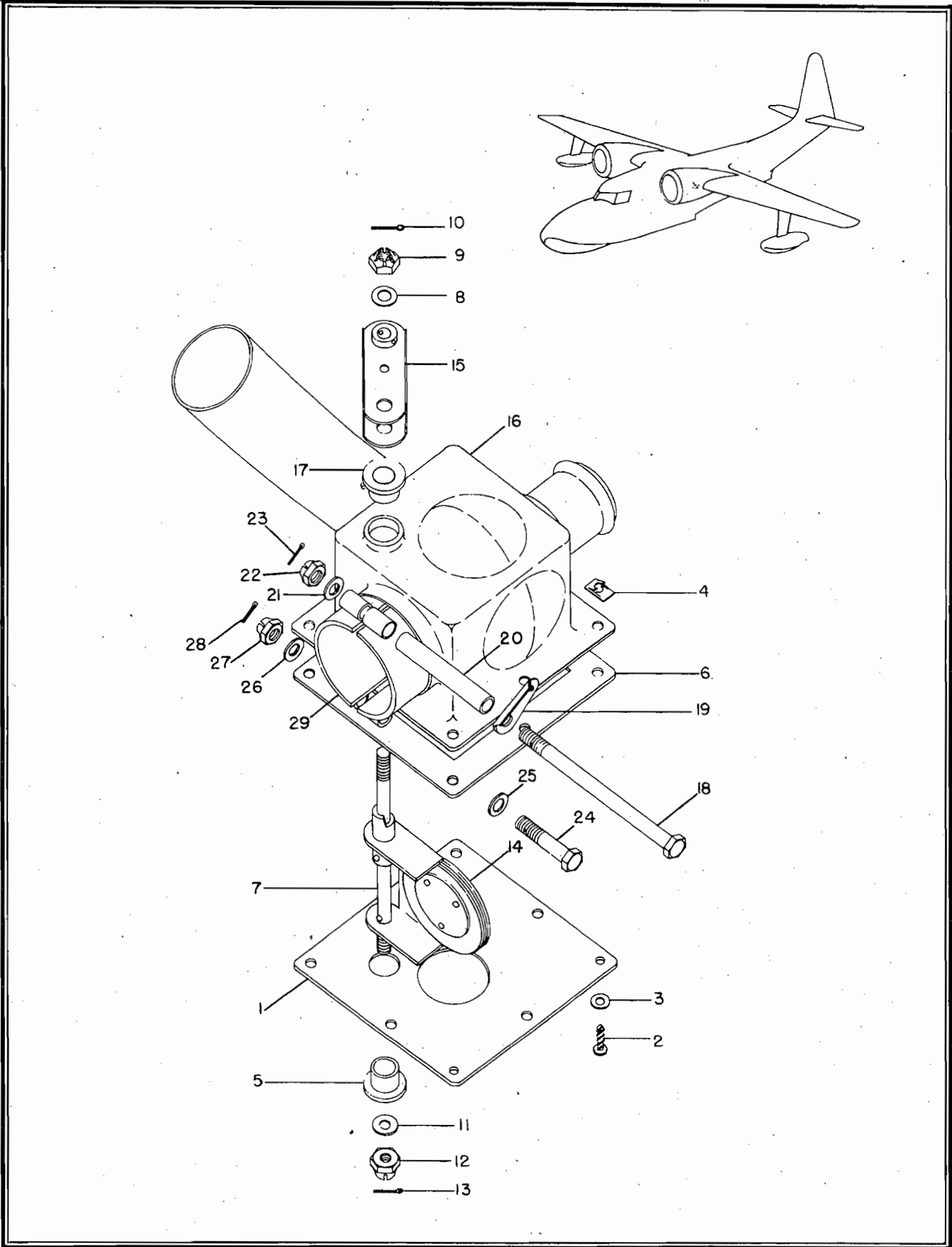


Figure 223—Heater Valve Assembly



Figure & Index No.	Part No.	Nomenclature	1 2 3 4 5 6 7	Units Per Assy	Usage Code
-----------------------	----------	--------------	---------------	-------------------	---------------

POWER PLANT (Cont)

Header and Heater Valve Assembly (Cont)

222-27	109070-1 Bellcrank - Protected air door (iap)		1	X
		ATTACHING PARTS			
-28	AN5-15 Bolt		1	X
-29	AN960-516 Washer		1	X
-30	G5-8-14 Spacer		1	X
-31	AN380C2-4 Cotter		1	X
-32	58398 Screw - Protected air door stop		1	X
-33	AN340-516 Nut		1	X
-34	109056-1 Door Assembly - Protected air		1	X
-35	109111-1 Housing Assembly - Heater valve		1	X
-36	109106-4 Bushing		1	X
-37	109109-1 Valve Assembly - Welded		1	X
-38	109062 Door Assembly - Alternate air		1	X
-39	109062-1 Door Sub Assembly		1	X
-40	109062-2 Pin - Hinge		1	X
-41	109063-2 Leaf - Hinge		1	X
-42	No Number Spring (Altered from part no. G104-20)		1	X
-43	109121 Header Assembly - Welded		1	X
-44	109106-2 Bushing		2	X

Heater Valve Assembly

223-	109068 Valve Assembly - Heater (See Fig. 221-52)		Ref	W
-1	109045-3 Cover Assembly (iap)		1	W
		ATTACHING PARTS			
-2	AN530-6-8 Screw		8	W
-3	AN960D6 Washer		8	W
-4	G176-6Z Nut		8	W
-5	109106-3 Bushing		1	W
-6	109048 Gasket		1	W
-7	109061 Door Assembly (iap)		1	W
		ATTACHING PARTS			
-8	AN960-416 Washer		1	W
-9	AN310-4 Nut		1	W
-10	AN380C2-2 Cotter		1	W
-11	AN960-416L Washer		1	W
-12	AN310-4 Nut		1	W
-13	AN380C2-2 Cotter		1	W
-14	109044 Door		1	W
-15	109070-2 Bellcrank Assembly		1	W
-16	109045-2 Housing Assembly - Welded		1	W
-17	109106-1 Bushing		1	W
-18	AN4-40 Bolt		1	W
-19	109072 Clip - Bellcrank spring		1	W
-20	G5-4-224 Spacer		1	W

Section II
Group Assembly Parts List

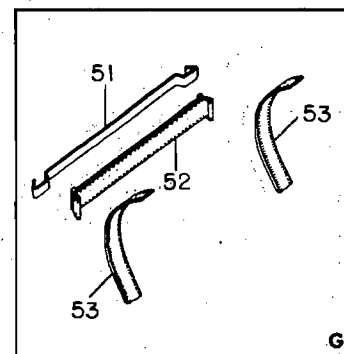
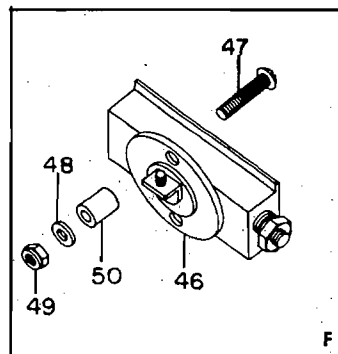
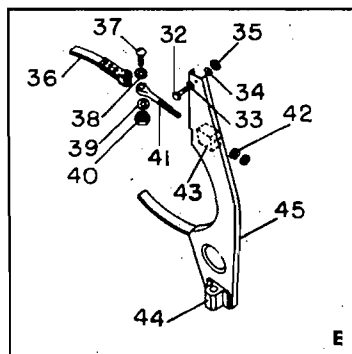
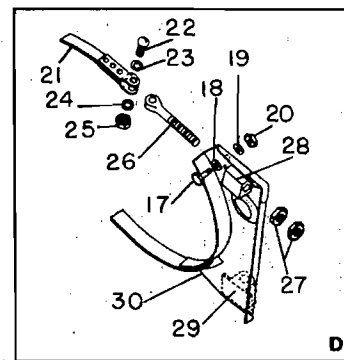
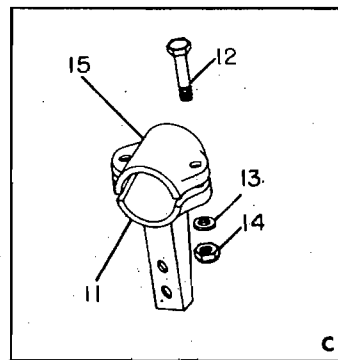
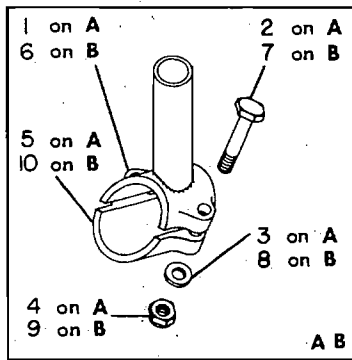
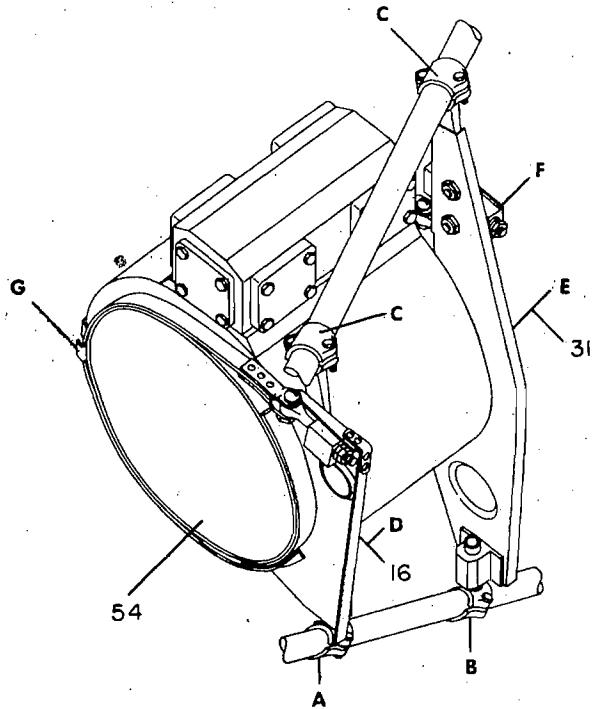
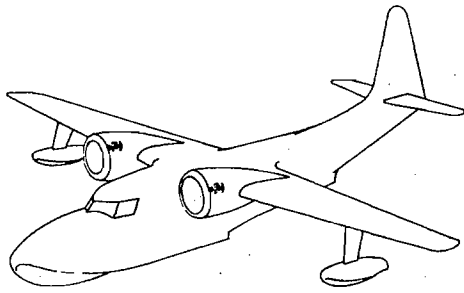


Figure 224—Oil Cooler Installation



Section II
Group Assembly Parts List

Figure & Index No.	Part No.	Nomenclature	1 2 3 4 5 6 7	Units Per Assy	Usage Code
-----------------------	----------	--------------	---------------	-------------------	---------------

POWER PLANT (Cont)

Heater Valve Assembly (Cont)

223-21	AN960D416 Washer		1	w
-22	AN310-4 Nut		1	w
-23	AN380C2-2 Cotter		1	w
-24	AN4-13 Bolt		1	w
-25	AN960D416L Washer		1	w
-26	AN960D416 Washer		1	w
-27	AN310-4 Nut		1	w
-28	AN380C2-2 Cotter		1	w
-29	109049 Tube		1	w

Oil Cooler Installation

224-	109167	. Cooler Installation - Oil		1	All
-1	109164-2	. . . Clamp Assembly - Front bottom (iap)		1	All
		ATTACHING PARTS			
-2	AN3-11A	. . . Bolt		2	All
-3	AN960-10	. . . Washer		2	All
-4	AN365-1032	. . . Nut		2	All
-5	AN740T16	. . . Clamp		1	All
-6	109164-1	. . . Clamp Assembly - Rear bottom (iap)		1	All
		ATTACHING PARTS			
-7	AN3-11A	. . . Bolt		2	All
-8	AN960-10	. . . Washer		2	All
-9	AN365-1032	. . . Nut		2	All
-10	AN740T16	. . . Clamp		1	All
-11	109164-3	. . . Clamp Assembly - Upper (iap)		2	All
		ATTACHING PARTS			
-12	AN3-11A	. . . Bolt		2	All
-13	AN960-10	. . . Washer		2	All
-14	AN365-1032	. . . Nut		2	All
-15	AN740T16	. . . Clamp		1	All
-16	109168-1	. . . Support Assembly - Forward (iap)		1	All
		ATTACHING PARTS			
-17	AN3-4A	. . . Bolt		2	All
-18	AN960A10L	. . . Washer		2	All
-19	AN960-10	. . . Washer		2	All
-20	AN365-1032	. . . Nut		2	All
-21	109169-2	. . . Strap Assembly (iap)			All
		ATTACHING PARTS			
-22	AN24-11A Bolt		1	All
-23	AN960-416L Washer		1	All
-24	AN960-416 Washer		1	All

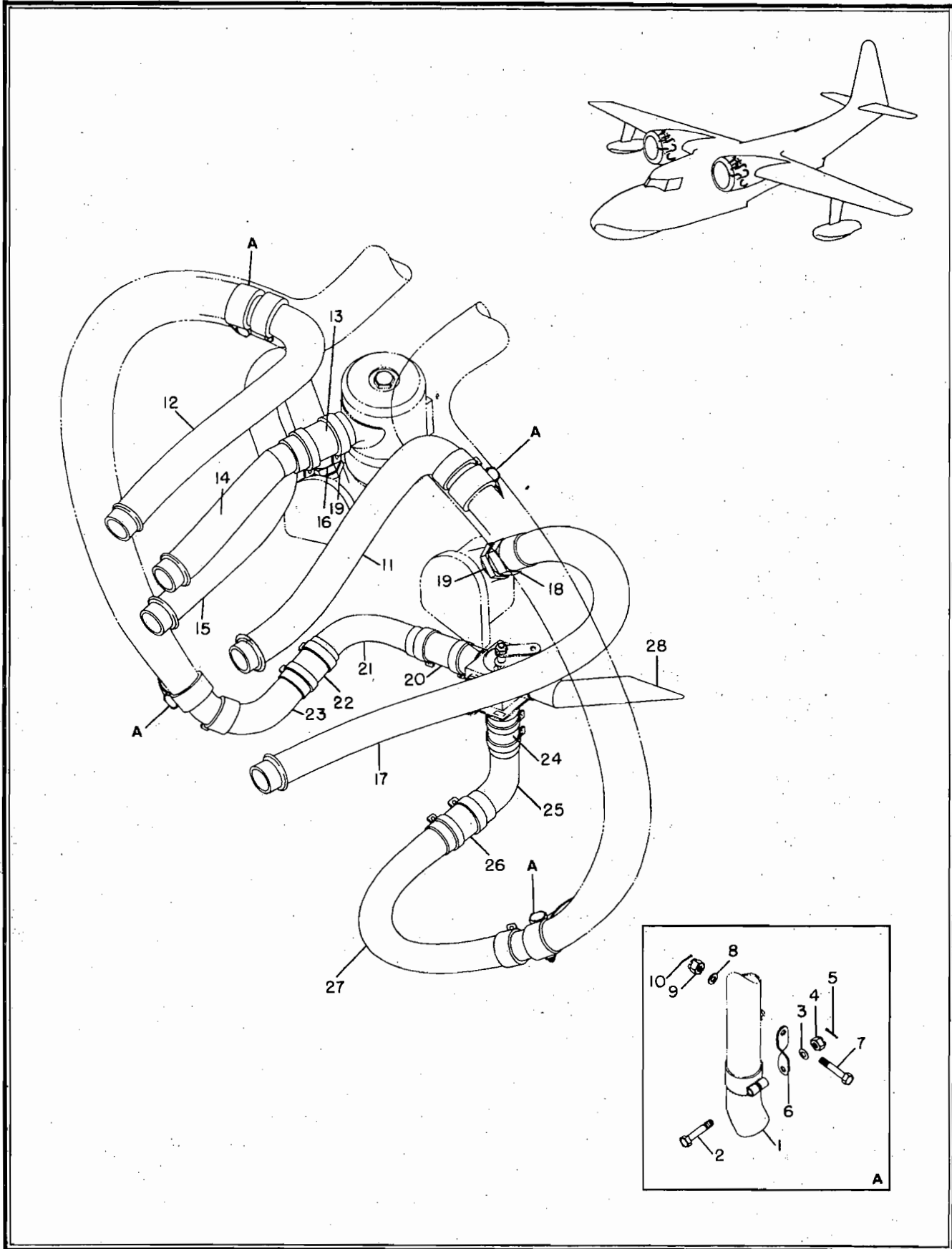


Figure 225—Generator, Magneto and Intensifier Blast Tubes Installation



Section II
Group Assembly Parts List

Figure & Index No.	Part No.	Nomenclature							Units Per Assy	Usage Code
		1	2	3	4	5	6	7		
POWER PLANT (Cont)										
Oil Cooler Installation (Cont)										
224-25	AN364-428	1	All
-26	21216	1	All
ATTACHING PARTS										
-27	AN316-4R	2	All
-28	109165-1	1	All
-29	109165-2	1	All
-30	109168-4	1	All
-31	109168-2	1	ae
	109168-8	1	k
ATTACHING PARTS										
-32	AN3-4A	2	All
-33	AN960-10	2	All
-34	AN960A10L	2	All
-35	AN365-1032	2	All
-36	109169-1	1	All
ATTACHING PARTS										
-37	AN24-11A	1	All
-38	AN960-416L	1	All
-39	AN960-416	1	All
-40	AN364-428	1	All
-41	21216	1	All
ATTACHING PARTS										
-42	AN316-4R	2	All
-43	109165-1	1	All
-44	109165-2	1	All
-45	109168-5	1	All
-46	A-4981	1	k
ATTACHING PARTS										
-47	AN520-10-16	2	k
-48	AN960D10	2	k
-49	AN365-1032	2	k
-50	G5-D3-32	2	k
-51	109160	1	All
-52	27696	1	All
-53	109171	2	All
-54	B-36690	1	All

Generator, Magneto and Intensifier Blast Tubes Installation

225-	109034-8	1	w
-1	109028-2	4	w
ATTACHING PARTS										
-2	AN4-14	1	w
-3	AN960-416	1	w
-4	AN310-4	1	w
-5	AN380C2-2	1	w

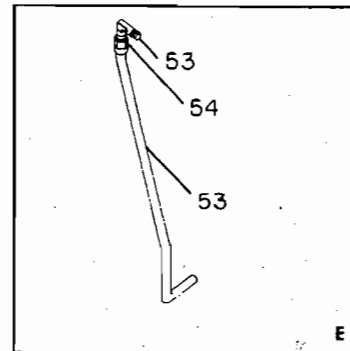
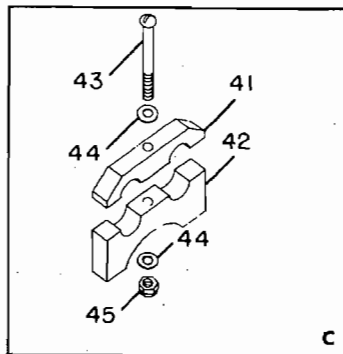
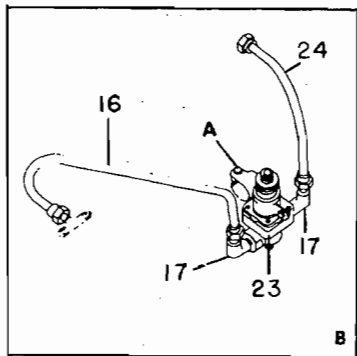
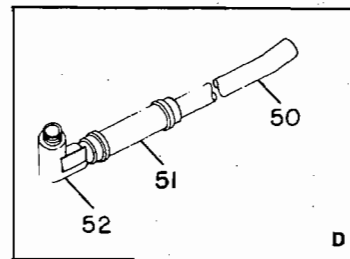
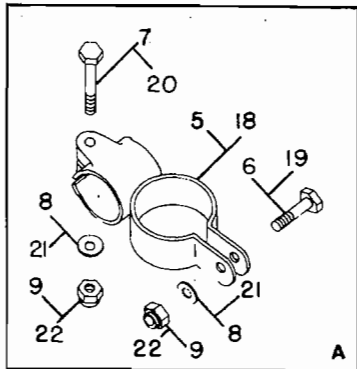
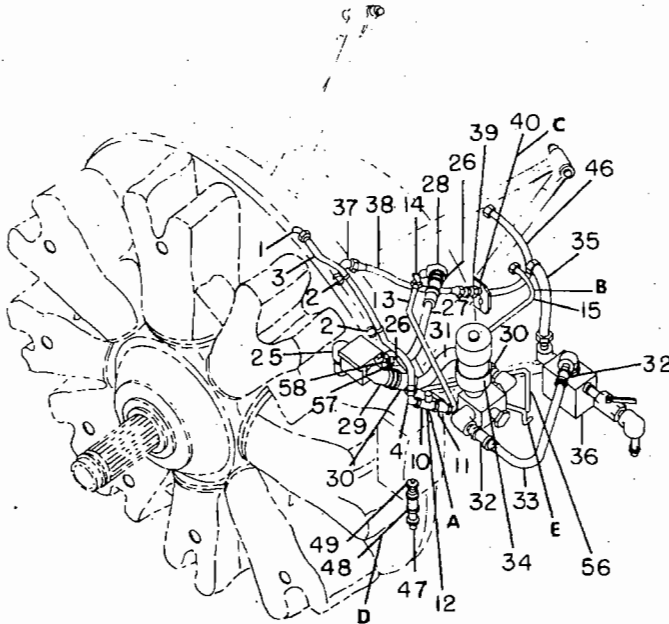
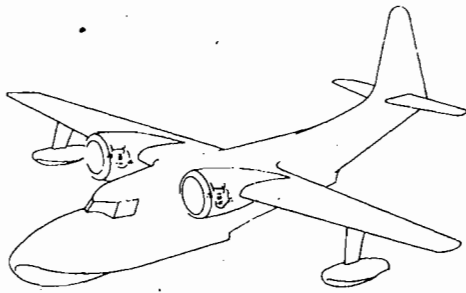


Figure 226—Fuel System Installation



Figure & Index No.	Part No.	Nomenclature 1 2 3 4 5 6 7	Units Per Assy	Usage Code
-----------------------	----------	-------------------------------	-------------------	---------------

POWER PLANT (Cont)

Generator, Magneto and Intensifier Blast Tubes Installation (Cont)

225-6	109029-2	. . . Link - Intensifier tubes (iap)	4	w
		ATTACHING PARTS		
-7	AN4-14	. . . Bolt	1	w
-8	AN960-416	. . . Washer	1	w
-9	AN310-4	. . . Nut	1	w
-10	AN380C2-2	. . . Cotter	1	w
-11	109030-9	. . . Tube Assembly - Left top intensifier	1	w
-12	109030-8	. . . Tube Assembly - Right top intensifier	1	w
-13	109034-11	. . . Hose	1	w
-14	109085	. . . Tube Assembly - Generator blast	1	w
-15	109245-2	. . . Tube Assembly - Right magneto blast	1	w
-16	AN817-16D	. . . Nut	1	w
-17	109245-1	. . . Tube Assembly - Left magneto blast	1	w
-18	AN817-16D	. . . Nut	1	w
-19	AN816-16D	. . . Nipple	2	w
-20	109034-9	. . . Hose	1	w
-21	109030-14	. . . Tube - Right lower intensifier	1	w
-22	109034-10	. . . Hose	1	w
-23	109030-13	. . . Tube - Right lower intensifier	1	w
-24	109034-9	. . . Hose	1	w
-25	109030-3	. . . Tube Assembly - Left lower intensifier	1	w
-26	109034-10	. . . Hose	1	w
-27	109030-12	. . . Tube - Left lower intensifier	1	w
-28	109034-13	. . . Tube - Discharge	1	w

Fuel System Installation

226-	No Number	. System Installation - Fuel L.H. (Reference Grumman drawings no. 109001 and 109010) (L.H.)	1	All
	No Number	. System Installation - Fuel R.H. (Reference Grumman drawings no. 109001 and 109010) (R.H.)	1	All
-1	AN822-4D	. . . Elbow	1	All
-2	109087-1	. . . Clamp Assembly	2	All
-3	109001-18	. . . Tube Assembly - Primer 1/4 in. O.D.	1	All
-3	AN819-4Z	. . . Sleeve	2	All
-3	AN818-4D	. . . Nut	2	All
-4	AN823-4D	. . . Elbow	1	All
-5	109091-1	. . . Clamp Assembly - Engine primer solenoid (iap)	1	All
		ATTACHING PARTS		
-6	AN3-5A	. . . Bolt	1	All
-7	AN3-12A	. . . Bolt	1	All
-8	AN960-11	. . . Washer	2	All
-9	AN365-1032	. . . Nut	2	All
-10	UB3100	. . . Solenoid - Engine primer (United Aircraft Products, Inc.)	1	All
-11	AN912-1D	. . . Reducer	2	All
-12	109078-1	. . . Tee	1	ac
	109077-3	. . . Tee	1	ad
-13	109001-17	. . . Tube Assembly - Primer 1/4 in. O.D.	1	All
-13	AN819-4Z	. . . Sleeve	2	All
-13	AN818-4D	. . . Nut	2	All
-14	AN822-4D	. . . Elbow	1	All

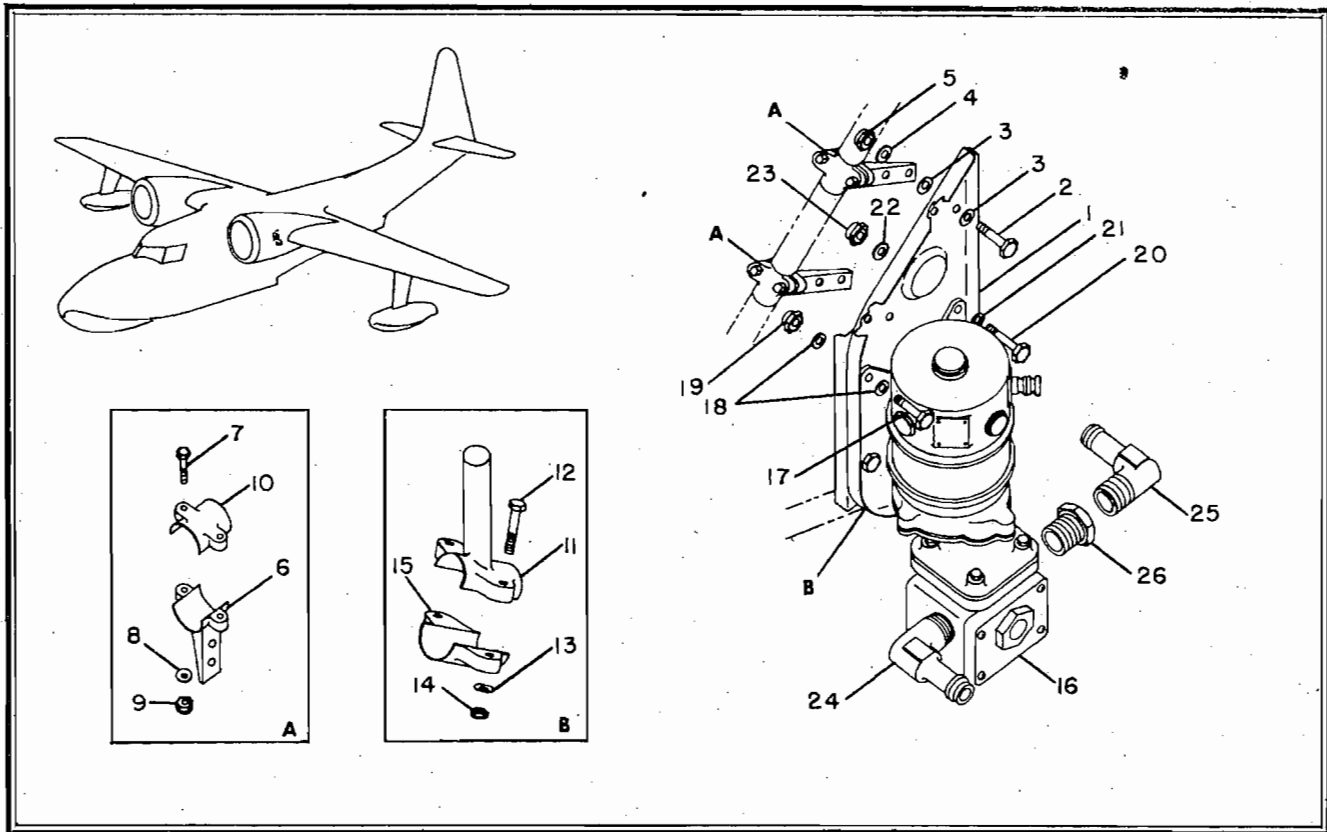


Figure 227—Electric Fuel Pump Assembly and Installation

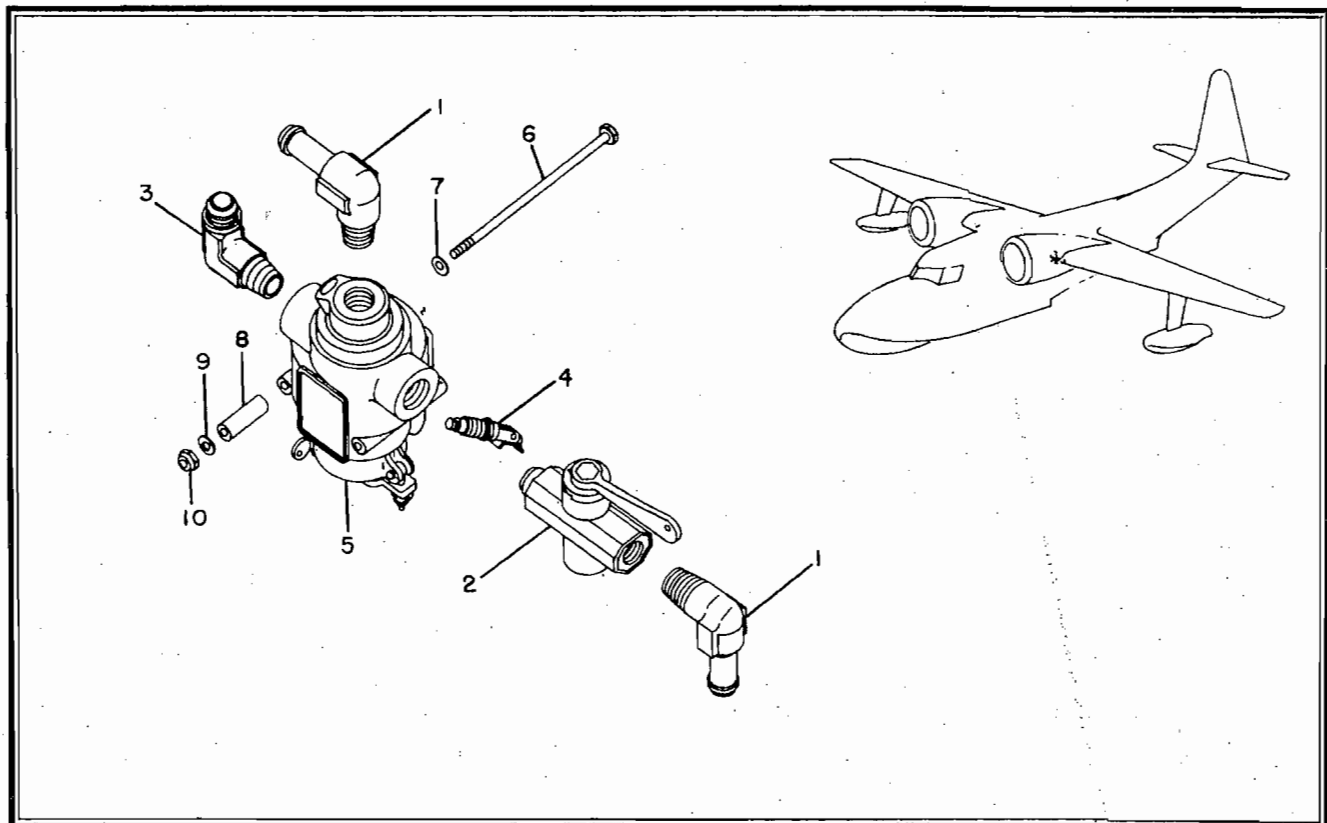


Figure 228—Fuel Strainer Installation



Figure & Index No.	Part No.	Nomenclature 1 2 3 4 5 6 7	Units	Usage
			Per Assy	Code
POWER PLANT (Cont)				
Fuel System Installation (Cont)				
226-15	350-4W-21	. . Hose Assembly - Flex (Aeroquip Corp.)	1	ae
-16	109001-52	. . Tube Assembly - Engine primer solenoid to fuel pressure solenoid 1/4 in. O.D.	1	k
-16	AN819-4Z	. . . Sleeve	2	k
-16	AN818-4D	. . . Nut	2	k
-17	AN822-4D	. . Elbow	2	k
-18	109091-1	. . Clamp Assembly - Engine primer solenoid (iap)	1	k
ATTACHING PARTS				
-19	AN3-5A	. . . Bolt	1	k
-20	AN3-12A	. . . Bolt	1	k
-21	AN960-10	. . . Washer	2	k
-22	AN365-1032	. . . Nut	2	k
-23	AV-2	. . Valve - Fuel pressure solenoid (General Controls Co.)	1	k
-24	350-4W-12	. . Hose Assembly - Flex (Aeroquip Corp.) (L.H.)	1	k
	350-4W-21	. . Hose Assembly - Flex (Aeroquip Corp.) (R.H.)	1	k
-25	AN914-4D	. . Elbow	1	All
-25	AN842-10D	. . Elbow	1	All
-26	109001-38	. . Hose	2	All
-27	109001-37	. . Tube - Engine fuel pump to carburetor	1	All
-28	AN842-10D	. . Elbow	1	All
-29	AN844-10D	. . Elbow	1	All
-30	109001-48	. . Hose	2	All
-31	108626-2	. . Tube - Electric driven fuel pump to engine driven fuel pump	1	af
	108626-1	. . Tube - Electric driven fuel pump to engine driven fuel pump	1	ag
-32	109001-39	. . Hose	2	All
-33	109001-49	. . Tube - Strainer to electric fuel pump	1	All
-34	109095-1	. . Pump Assembly & Installation - Electric fuel (See Fig. 227)	1	All
-35	360-12WD-13	. . Hose Assembly - Flex (Aeroquip Corp.) (L.H.)	1	All
	360-12WD-17	. . Hose Assembly - Flex (Aeroquip Corp.) (R.H.)	1	All
-36	109080	. . Strainer Installation - Fuel (See Fig. 228)	1	All
-37	G199-3	. . Fitting - Restrictor	1	All
-38	109010-1	. . Tube Assembly - Manifold pressure 1/4 in. O.D.	1	All
-38	AN819-4Z	. . . Sleeve	2	All
-38	AN818-4D	. . . Nut	2	All
-39	AN815-4D	. . Union	1	All
-40	109033	. . Block Assembly	1	All
-41	109033-1	. . . Block	1	All
-42	109033-2	. . . Block	1	All
ATTACHING PARTS FOR INDEX NOS. 41 & 42				
-43	AN520-10-40	. . . Screw	1	All
-44	AN960D10	. . . Washer	2	All
-45	AN365-1032	. . . Nut	1	All
-46	350-4W-17-1/2	. . Hose Assembly - Flex (Aeroquip Corp.)	1	All
-47	109230-5	. . Tube Assembly - Carburetor header drain	1	w
-48	3/8 L.D. x 3/32	. . . Tube - Ivy flex 2 in. (Irvington Varnish Co.)	1	w
-49	AN840-6D	. . . Adapter	1	w
-50	109230-10	. . Tube - Carburetor header drain	1	x
-51	P-215	. . Hose - 1/2 in. I.D. x 3-3/4 in. (U.S. Rubber Co.)	1	x
-52	AN842-8D	. . Elbow	1	x
-53	109230-2	. . Tube Assembly - Auxiliary fuel pump drain 1/4 in. O.D.	1	All
-54	AN819-4Z	. . . Sleeve	1	All

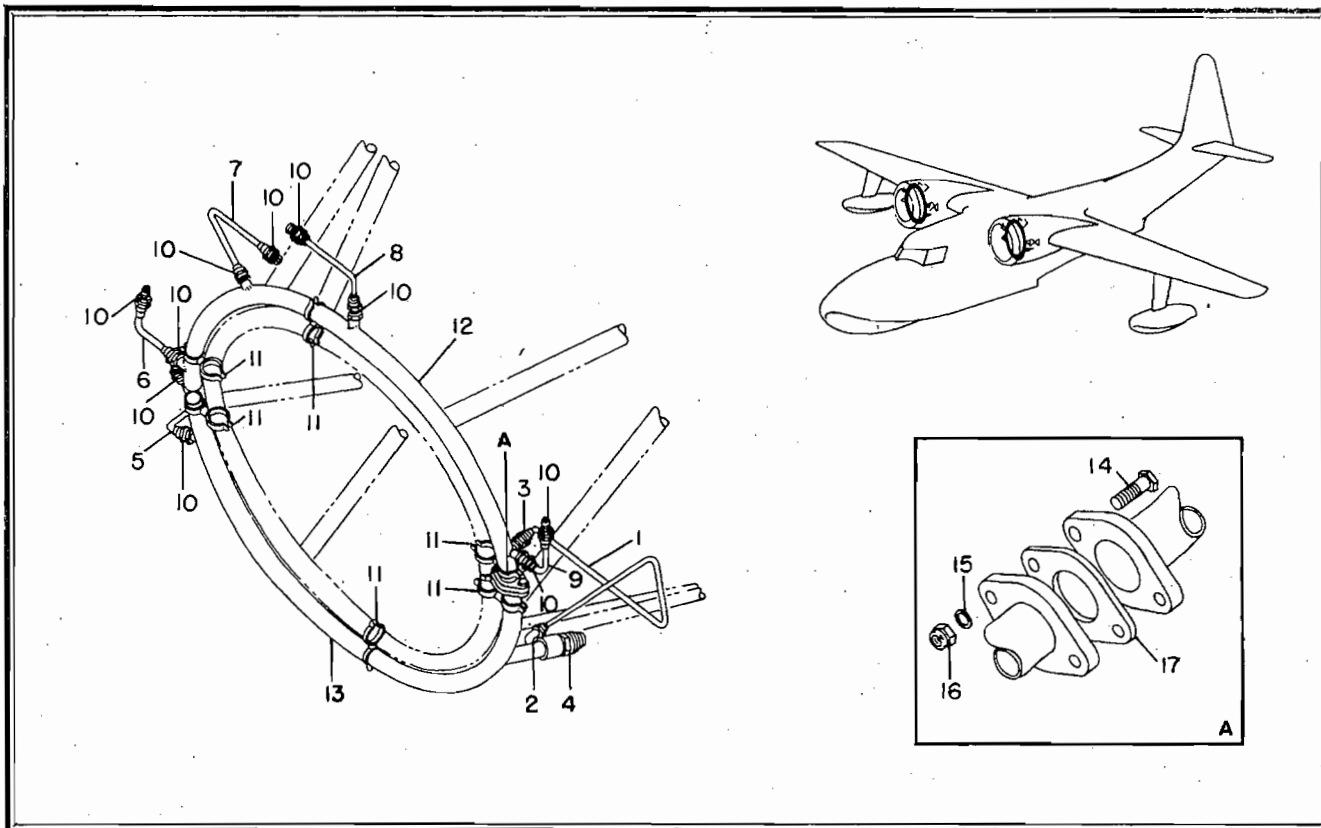


Figure 229—Fire Extinguisher Ring Assembly and Installation

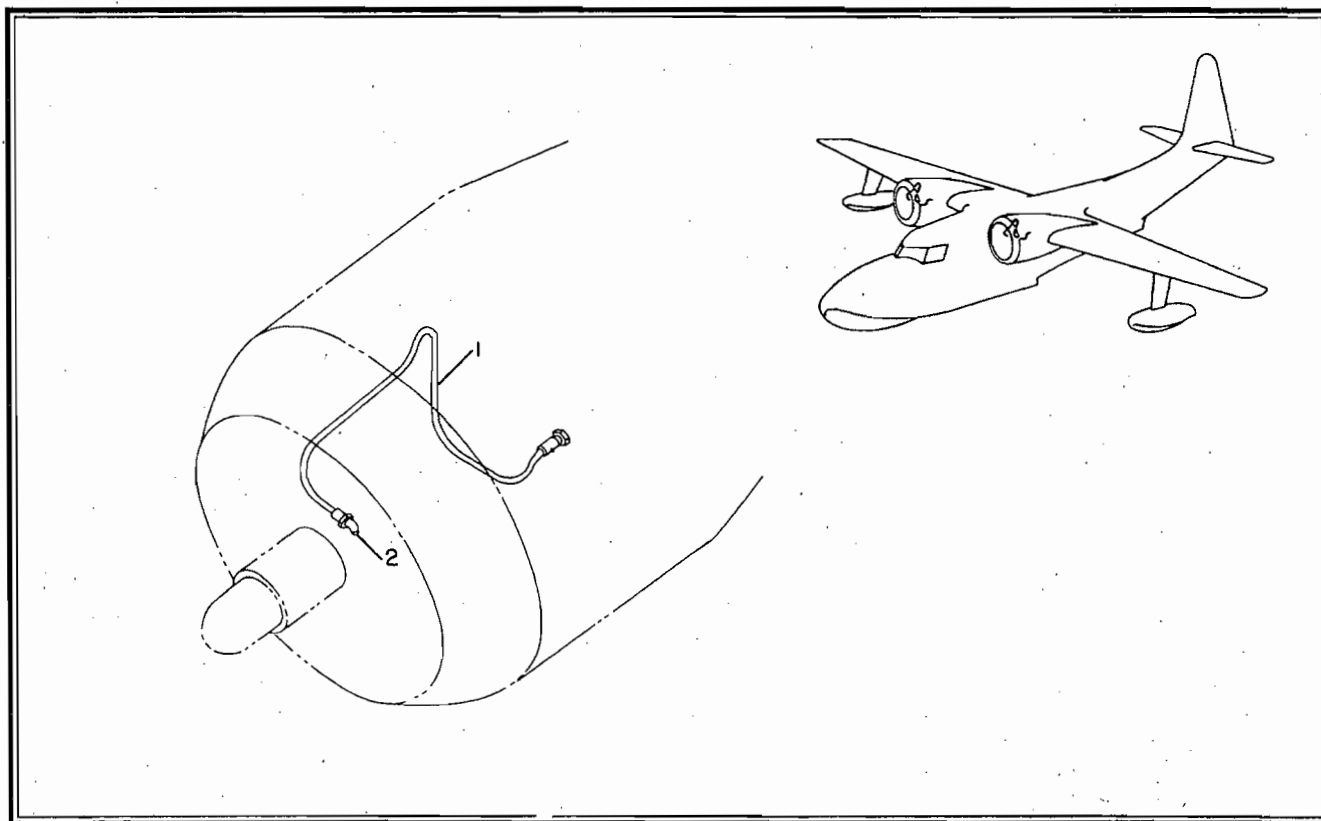


Figure 230—Propeller Feathering System Installation



Figure & Index No.	Part No.	Nomenclature							Units Per Assy	Usage Code
		1	2	3	4	5	6	7		
POWER PLANT (Cont)										
Fuel System Installation (Cont)										
226-54	AN818-4D	. . .							1	All
-55	AN822-4D	. . .							1	All
-56	109230-4	. . .							1	All
-57	AN819-4Z	. . .							1	All
-57	AN818-4D	. . .							1	All
-58	AN822-4D	. . .							1	All
Electric Fuel Pump Assembly and Installation										
227-	109095-1	. . .								
		. . .								
		(See Fig. 226-34)							Ref	All
-1	109093-1	. . .							1	All
ATTACHING PARTS										
-2	AN3-5A							4	All
-3	AN960D10							6	All
-4	AN960-10							4	All
-5	AN365-1032							4	All
-6	109094-2	. . .							2	All
ATTACHING PARTS										
-7	AN3-11A							2	All
-8	AN960-10							2	All
-9	AN365-1032							2	All
-10	AN740T16							2	All
-11	109094-1	. . .							1	All
ATTACHING PARTS										
-12	AN3-11A							2	All
-13	AN960-10							2	All
-14	AN365-1032							2	All
-15	AN740T16							1	All
-16	TFD-10300	. . .							1	All
ATTACHING PARTS										
-17	AN6-11	. . .							2	All
-18	AN960D616	. . .							4	All
-19	AN365-624	. . .							2	All
-20	AN6-10	. . .							2	All
-21	AN960D616L	. . .							2	All
-22	AN960D616	. . .							2	All
-23	AN365-624	. . .							2	All
-24	AN842-12D	. . .							1	All
-25	AN842-10D	. . .							1	All
-26	AN912-7D	. . .							1	All

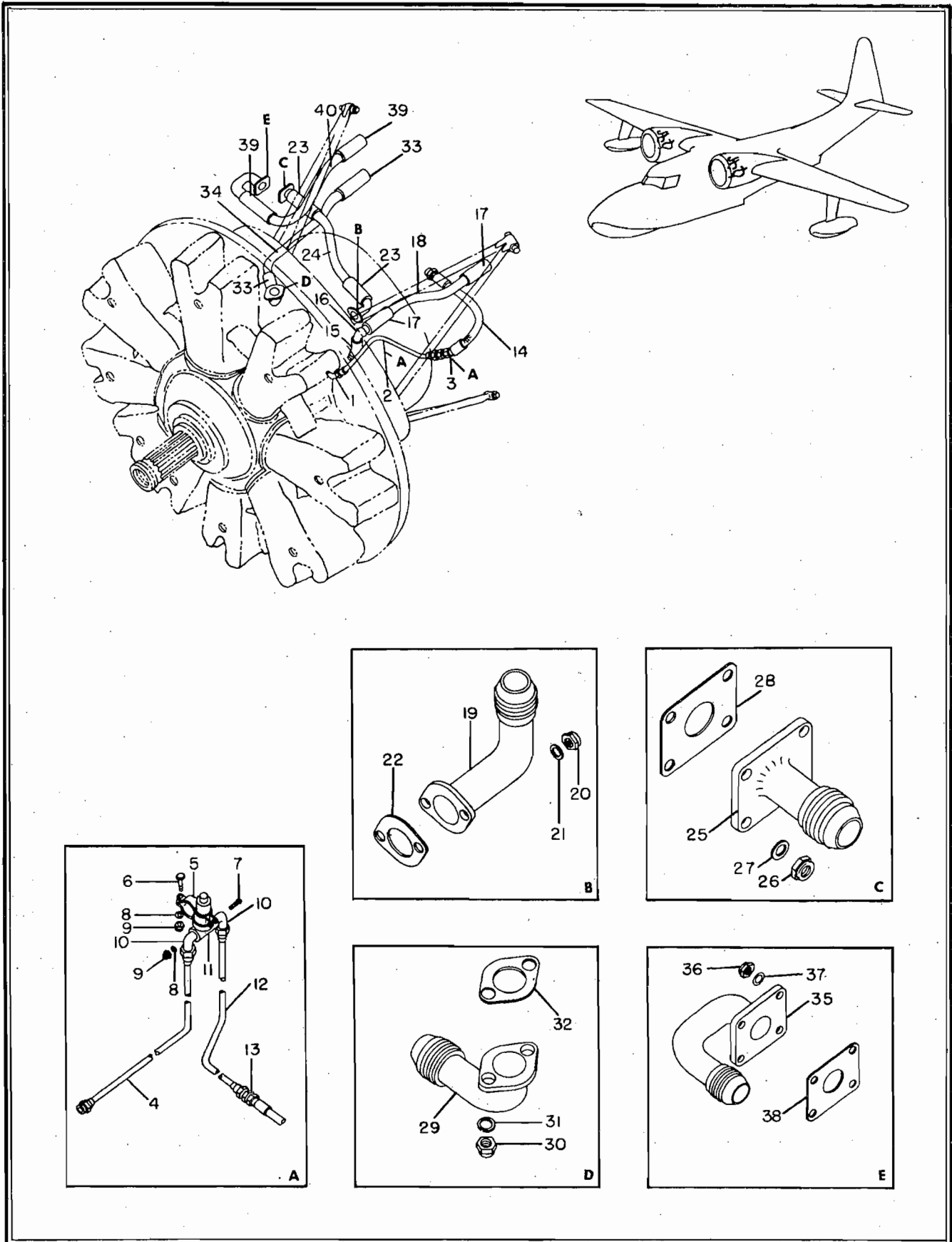


Figure 231—Quick Engine Change Oil System Installation



Figure & Index No.	Part No.	Nomenclature 1 2 3 4 5 6 7	Units Per Assy	Usage Code
-----------------------	----------	-------------------------------	-------------------	---------------

POWER PLANT (Cont)

Fuel Strainer Installation

228-	109080	. . Strainer Installation - Fuel (See Fig. 226-36)	Ref	All
-1	AN842-12D	. . . Elbow	2	All
-2	702FG-12D	. . . Valve - Plug (Parker Appliance Co.)	1	All
-3	AN822-12D	. . . Elbow	1	All
-4	K1700B-1	. . . Valve - Drain (Koehler Aircraft Products Co.)	1	All
-5	104504-2	. . . Strainer - Fuel (Aero Supply Manufacturing Co., Inc.)	1	All
ATTACHING PARTS				
-6	AN4-47A	. . . Bolt	2	All
-7	AN960D416L	. . . Washer	2	All
-8	G5-D4-125	. . . Spacer	2	All
-9	AN960D416	. . . Washer	2	All
-10	AN365-428	. . . Nut	2	All

Fire Extinguisher Ring Assembly and Installation

229-	109216	. Ring Assembly & Installation - Fire extinguisher	1	All
-1	109216-3	. . Tube Assembly - 1/4 in. O.D.	1	All
-1	AN818-4	. . . Nut	2	All
-1	AN819-4	. . . Sleeve	2	All
-2	AN822-4	. . Elbow	1	All
-3	AN816-4	. . Nipple	1	All
-4	AN816-16-12	. . Nipple	1	All
-5	109216-4	. . Tube Assembly - 1/4 in. O.D.	1	All
-5	AN818-4	. . . Nut	2	All
-5	AN819-4	. . . Sleeve	2	All
-6	109216-5	. . Tube Assembly - 1/4 in. O.D.	1	All
-6	AN818-4	. . . Nut	2	All
-6	AN819-4	. . . Sleeve	2	All
-7	109216-6	. . Tube Assembly - 1/4 in. O.D.	1	All
-7	AN818-4	. . . Nut	2	All
-7	AN819-4	. . . Sleeve	2	All
-8	109216-7	. . Tube Assembly - 1/4 in. O.D.	1	All
-8	AN818-4	. . . Nut	2	All
-8	AN819-4	. . . Sleeve	2	All
-9	109216-8	. . Tube Assembly - 1/4 in. O.D.	1	All
-9	AN818-4	. . . Nut	2	All
-9	AN819-4	. . . Sleeve	2	All
-10	AN816-4	. . Nipple	10	All
-11	109216-9	. . Clamp Assembly	6	All
-12	109216-1	. . Tube Assembly - Top ring	1	All
-13	109216-2	. . Tube Assembly - Bottom ring	1	All
ATTACHING PARTS FOR INDEX NOS. 12 & 13				
-14	AN4-6A	. . Bolt	2	All
-15	AN960-416	. . Washer	2	All
-16	AN365-428	. . Nut	2	All
-17	109218	. . . Gasket	1	All

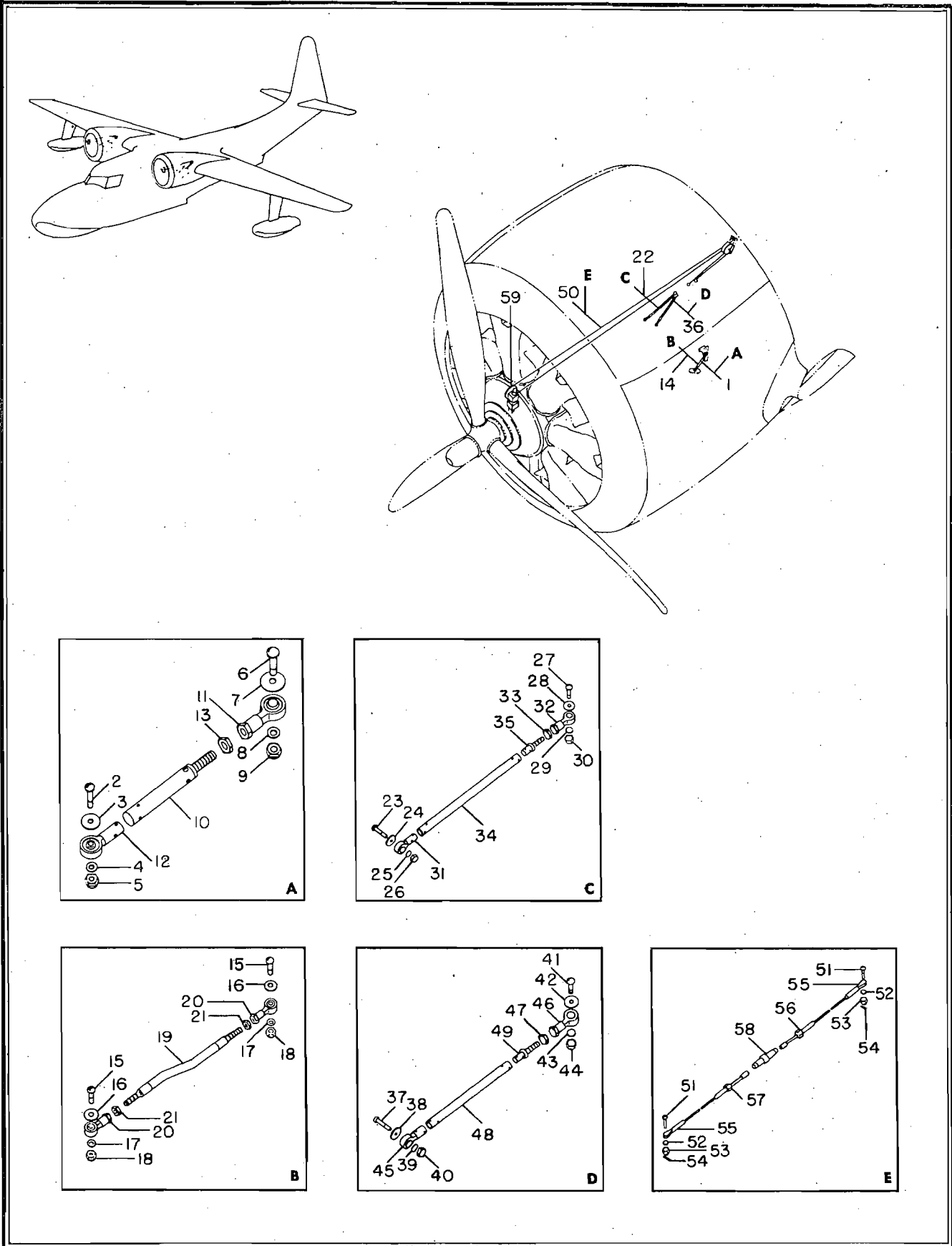


Figure 232—Quick Engine Change Engine Controls Installation



Figure & Index No.	Part No.	Nomenclature							Units Per Assy	Usage Code
		1	2	3	4	5	6	7		
POWER PLANT (Cont)										
Propeller Feathering System Installation										
230-	No Number	. System Installation - Propeller feathering (Reference Grumman drawing no. 109008)							1	All
-1	360-10WD-70	. . Hose Assembly - Flex (Aeroquip Corp.)							1	All
-2	AN823-10D	. . Elbow							1	All
Quick Engine Change Oil System Installation										
231-	No Number	. System Installation - Quick engine change oil (Reference Grumman drawing no. 109002)							1	All
-1	G199-3	. . Fitting - Instrument restrictor							1	All
-2	109002-7	. . Tube Assembly - Oil pressure 1/4 in. O.D.							1	ae
-2	AN819-4Z	. . . Sleeve							2	ae
-2	AN818-4D	. . . Nut							2	ae
-3	AN815-4D	. . Union							1	ae
-4	109002-42	. . Tube Assembly - Oil pump to solenoid 1/4 in. O.D.							1	k
-4	AN819-4Z	. . . Sleeve							2	k
-4	AN818-4D	. . . Nut							2	k
-5	109091-1	. . Clamp Assembly - Solenoid valve (iap)							1	k
ATTACHING PARTS										
-6	AN3-12A	. . . Bolt							1	k
-7	AN520-10-12	. . . Screw							1	k
-8	AN960-10	. . . Washer							2	k
-9	AN365-1032	. . . Nut							2	k
-10	AN822-4D	. . Elbow							2	k
-11	AV-2	. . Valve - Oil pressure solenoid (General Controls Co.)							1	k
-12	109002-43	. . Tube Assembly - Solenoid valve to flex hose 1/4 in. O.D.							1	k
-12	AN819-4Z	. . . Sleeve							2	k
-12	AN818-4D	. . . Nut							2	k
-13	AN815-4D	. . Union							1	k
-14	350-4W-17-1/2	. . Hose Assembly - Flex (Aeroquip Corp.)							1	All
-15	AN915-6D	. . Elbow							1	All
-16	AN844-12D	. . Elbow							1	All
-17	109002-37	. . Hose							2	All
-18	109151	. . Tube Assembly - Oil tank vent							1	All
-19	109144	. . Elbow Assembly - Oil out welded (iap)							1	aj
	109144-2	. . Elbow Assembly - Oil out welded (iap)							1	ak
ATTACHING PARTS										
-20	AN365-524	. . . Nut							2	All
-21	AN960-516	. . . Washer							2	All
-22	109155	. . . Gasket							1	All
-23	109002-36	. . Hose							2	All
-24	109002-29	. . Tube - Oil out elbow to cooler							1	All
-25	109143	. . Fitting Assembly - Oil cooler inlet (iap)							1	aj
	109143-2	. . Fitting Assembly - Oil cooler inlet (iap)							1	ak
ATTACHING PARTS										
-26	AN365-524	. . . Nut							4	All
-27	AN960-516	. . . Washer							4	All
-28	109156	. . . Gasket							1	All

Section II
Group Assembly Parts List



Figure & Index No.	Part No.	Nomenclature							Units Per Assy	Usage Code
		1	2	3	4	5	6	7		
POWER PLANT (Cont)										
Quick Engine Change Oil System Installation (Cont)										
231-29	109145	. .							1	aj
	109145-2	. .							1	ak
ATTACHING PARTS										
-30	AN365-524	. . .							2	All
-31	AN960-516	. . .							2	All
-32	109155	. . .							1	All
-33	109002-35	. .							2	All
-34	109148-1	. .							1	ah
	109148-3	. .							1	ai
-35	109146	. .							1	aj
	109146-3	. .							1	ak
ATTACHING PARTS										
-36	AN365-524	. . .							4	All
-37	AN960-516	. . .							4	All
-38	109156	. . .							1	All
-39	109002-36	. .							2	All
-40	109002-30	. .							1	All
Quick Engine Change Engine Controls Installation										
232-	No Number	. .							1	All
	No Number	. .							1	All
-1	109186-2	. .							1	w
ATTACHING PARTS										
-2	AN24-17A	. . .							1	w
-3	G338-4	. . .							1	w
-4	AN960D416	. . .							1	w
-5	AN364-428	. . .							1	w
-6	AN23-15A	. . .							1	w
-7	G338-3	. . .							1	w
-8	AN960D10	. . .							1	w
-9	AN364-1032	. . .							1	w
-10	109186-4	. . .							1	w
-11	RE3H5	. . .							1	w
-12	RE4F5	. . .							1	w
-13	AN316-5R	. . .							1	w
-14	109209-3	. .							1	x
ATTACHING PARTS										
-15	AN24-17A	. . .							2	x
-16	G338-4	. . .							2	x
-17	AN960D416	. . .							2	x
-18	AN364-428	. . .							2	x
-19	109209-6	. . .							1	x
-20	RE4F5	. . .							2	x



Section II
Group Assembly Parts List

Figure & Index No.	Part No.	Nomenclature							Units Per Assy	Usage Code
		1	2	3	4	5	6	7		
POWER PLANT (Cont)										
Quick Engine Change Engine Controls Installation (Cont)										
232-21	AN316-5R	. . .							2	x
-22	109175-2	. . . Rod Assembly - Throttle push (iap)							1	All
ATTACHING PARTS										
-23	AN23-17A	. . . Bolt							1	All
-24	G338-3	. . . Washer							1	All
-25	AN960-10L	. . . Washer							1	All
-26	AN364-1032	. . . Nut							1	All
-27	AN24-15A	. . . Bolt							1	All
-28	G338-4	. . . Washer							1	All
-29	AN960D416	. . . Washer							1	All
-30	AN364-428	. . . Nut							1	All
-31	RE3H5	. . . Bearing - Rod end (Fafnir Bearing Co.)							1	All
-32	RE4F5	. . . Bearing - Rod end (Fafnir Bearing Co.)							1	All
-33	AN316-5R	. . . Nut							1	All
-34	109175-4	. . . Tube							1	All
-35	G332-1P	. . . End - Rod							1	All
-36	109175-1	. . . Rod Assembly - Mixture push (iap)							1	All
ATTACHING PARTS										
-37	AN23-17A	. . . Bolt							1	All
-38	G338-3	. . . Washer							1	All
-39	AN960-10L	. . . Washer							1	All
-40	AN364-1032	. . . Nut							1	All
-41	AN24-15A	. . . Bolt							1	All
-42	G338-4	. . . Washer							1	All
-43	AN960D416	. . . Washer							1	All
-44	AN364-428	. . . Nut							1	All
-45	RE3H5	. . . Bearing - Rod end (Fafnir Bearing Co.)							1	All
-46	RE4F5	. . . Bearing - Rod end (Fafnir Bearing Co.)							1	All
-47	AN316-5R	. . . Nut							1	All
-48	109175-3	. . . Tube							1	All
-49	G332-1P	. . . End - Rod							1	All
-50	109200-3	. . . Cable Assembly - Left propeller governor (iap)(L.H.)							1	All
	109200-4	. . . Cable Assembly - Right propeller governor (iap) (R.H.)							1	All
ATTACHING PARTS										
-51	AN23-8	. . . Bolt							2	All
-52	AN960-10L	. . . Washer							2	All
-53	AN320-3	. . . Nut							2	All
-54	AN380C2-2	. . . Cotter							2	All
-55	AN667-2	. . . Terminal							2	All
-56	AN669S2LH	. . . Terminal							1	All
-57	AN669S2RH	. . . Terminal							1	All
-58	AN155-8S	. . . Barrel							1	All
-59	54109	. . . Pulley - Propeller governor (Hamilton Standard Propeller Division of United Aircraft Corp.)							1	All

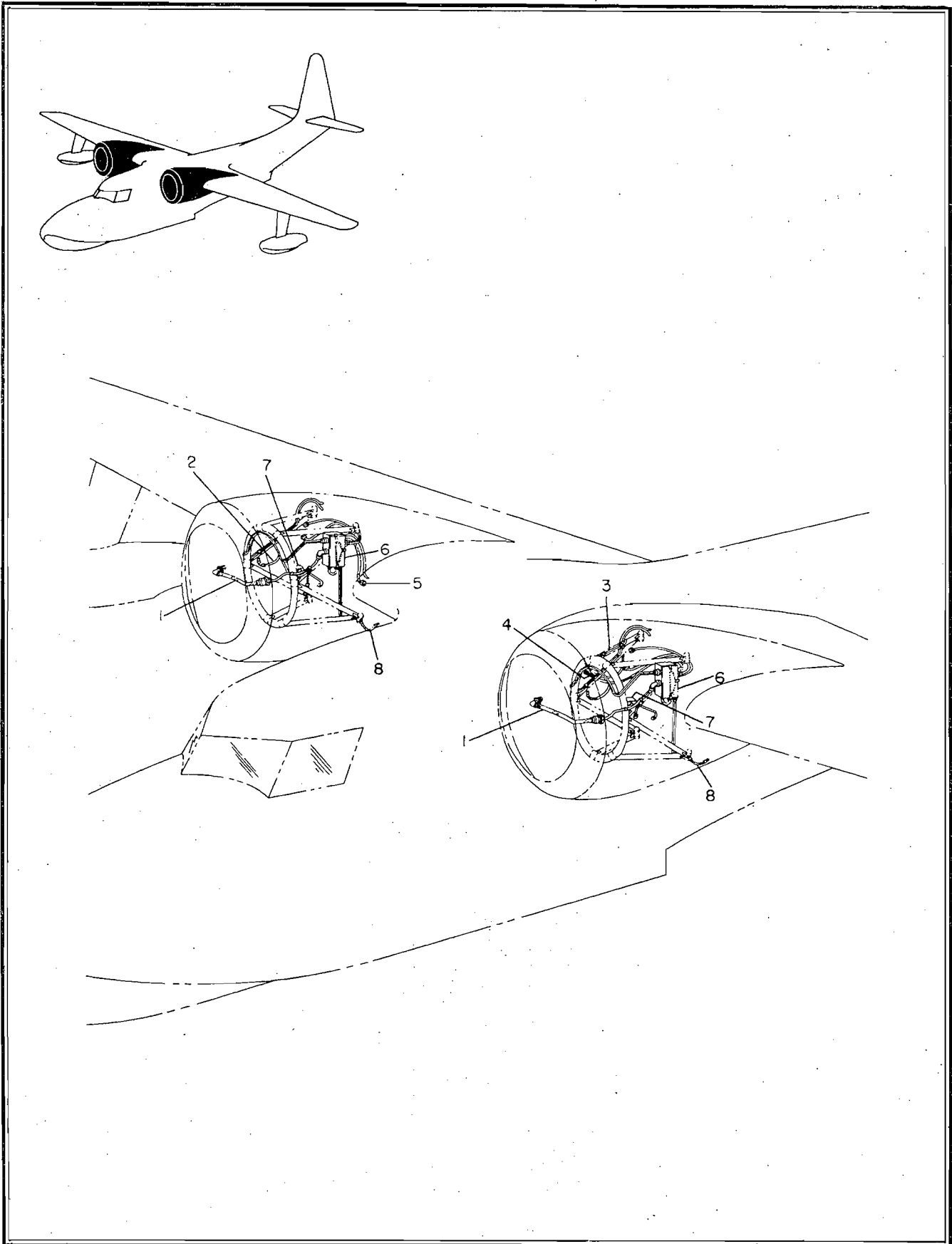


Figure 233—Electrical Installation



Section II
Group Assembly Parts List

Figure & Index No.	Part No.	Nomenclature							Units Per Assy	Usage Code
		1	2	3	4	5	6	7		
POWER PLANT (Cont)										
Electrical Installation										
233-	110002-1	.							1	cm
	110002-2	.							1	bp
	110002-5	.							1	cq
	110002-6	.							1	aw
-1	110125	.	.						2	All
-2	110130-1	.	.						1	All
-3	110130-2	.	.						1	All
-4	110137-5	.	.						1	All
-5	110137-6	.	.						1	All
-6	110061-1	.	.						2	cr
	110065-7	.	.						2	cn
	110065-8	.	.						2	cs
	110065-9	.	.						2	co
-7	110068	.	.						2	cp
-8	110106	.	.						2	All

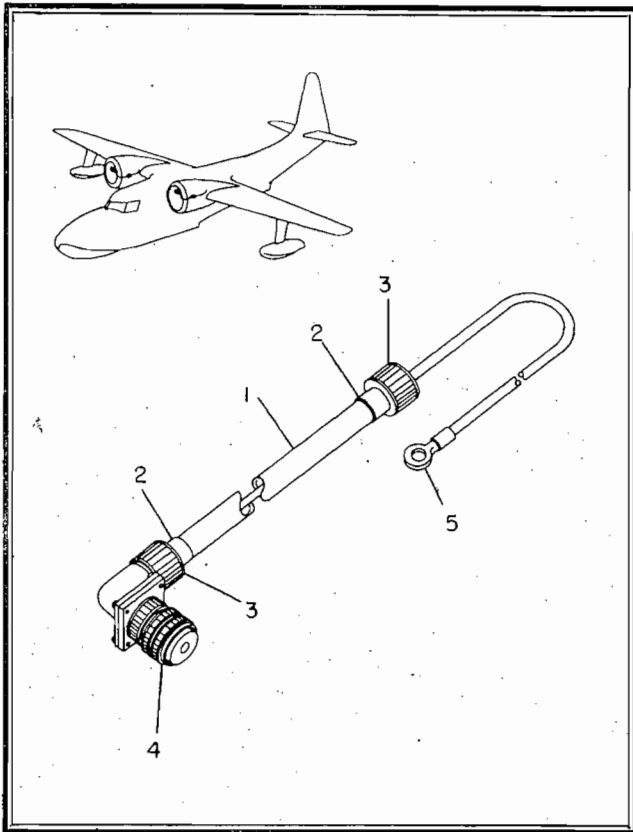


Figure 234—Propeller Governor Conduit Assembly

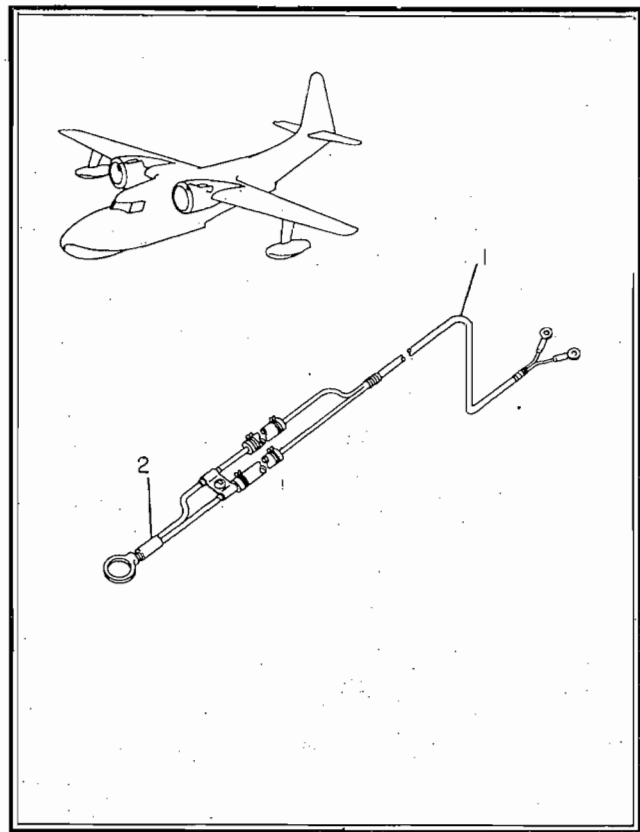


Figure 235—Thermocouple Cable Assembly

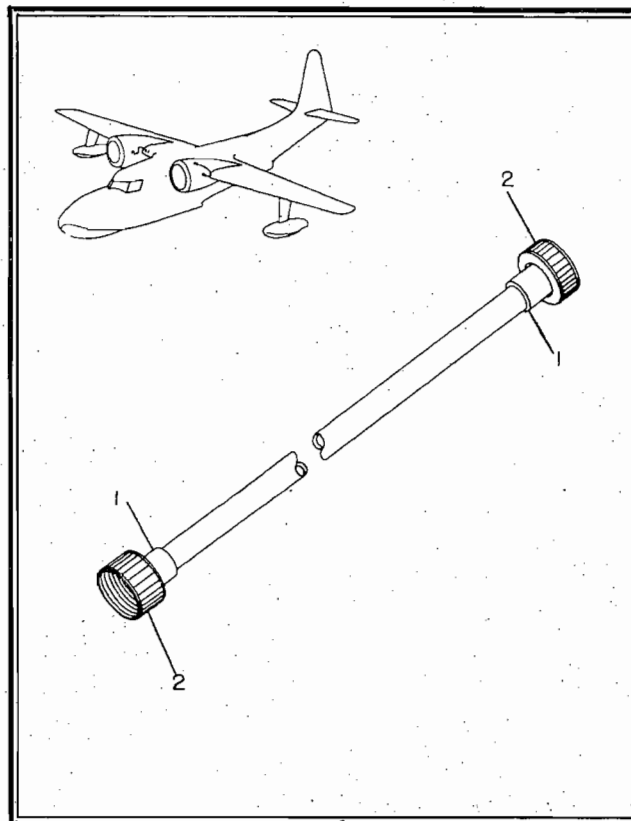


Figure 236—Ignition Conduit Assembly



Figure & Index No.	Part No.	Nomenclature							Units	Usage	
		1	2	3	4	5	6	7	Per Assy	Code	
POWER PLANT (Cont)											
Propeller Governor Conduit Assembly											
234-	110125	. .	Conduit Assembly - Propeller governor (See Fig. 233-1)							Ref	All
-1	110125-1	. . .	Conduit Assembly							1	All
-2	AN3050-3	Ferrule							2	All
-3	AN3054-3	Nut							2	All
-4	AN3108-12S-4S	. . .	Plug							1	All
-5	31889	. . .	Terminal							1	All
Thermocouple Cable Assembly											
235-	110130-1	. .	Cable Assembly - Right engine thermocouple (See Fig. 233-2)							Ref	All
	110130-2	. .	Cable Assembly - Left engine thermocouple (See Fig. 233-3)							Ref	All
-1	TE-108-30	. . .	Leads (Thermo Electric Co.)							1	All
-2	1B10B	. . .	Thermocouple (Thermo Electric Co.)							1	All
Ignition Conduit Assembly											
236-	110137-5	. .	Conduit Assembly - Left engine ignition (See Fig. 233-4)							Ref	All
	110137-6	. .	Conduit Assembly - Right engine ignition (See Fig. 233-5)							Ref	All
-1	AN3050-6	. . .	Ferrule							2	All
-2	AN3054-6	. . .	Nut							2	All

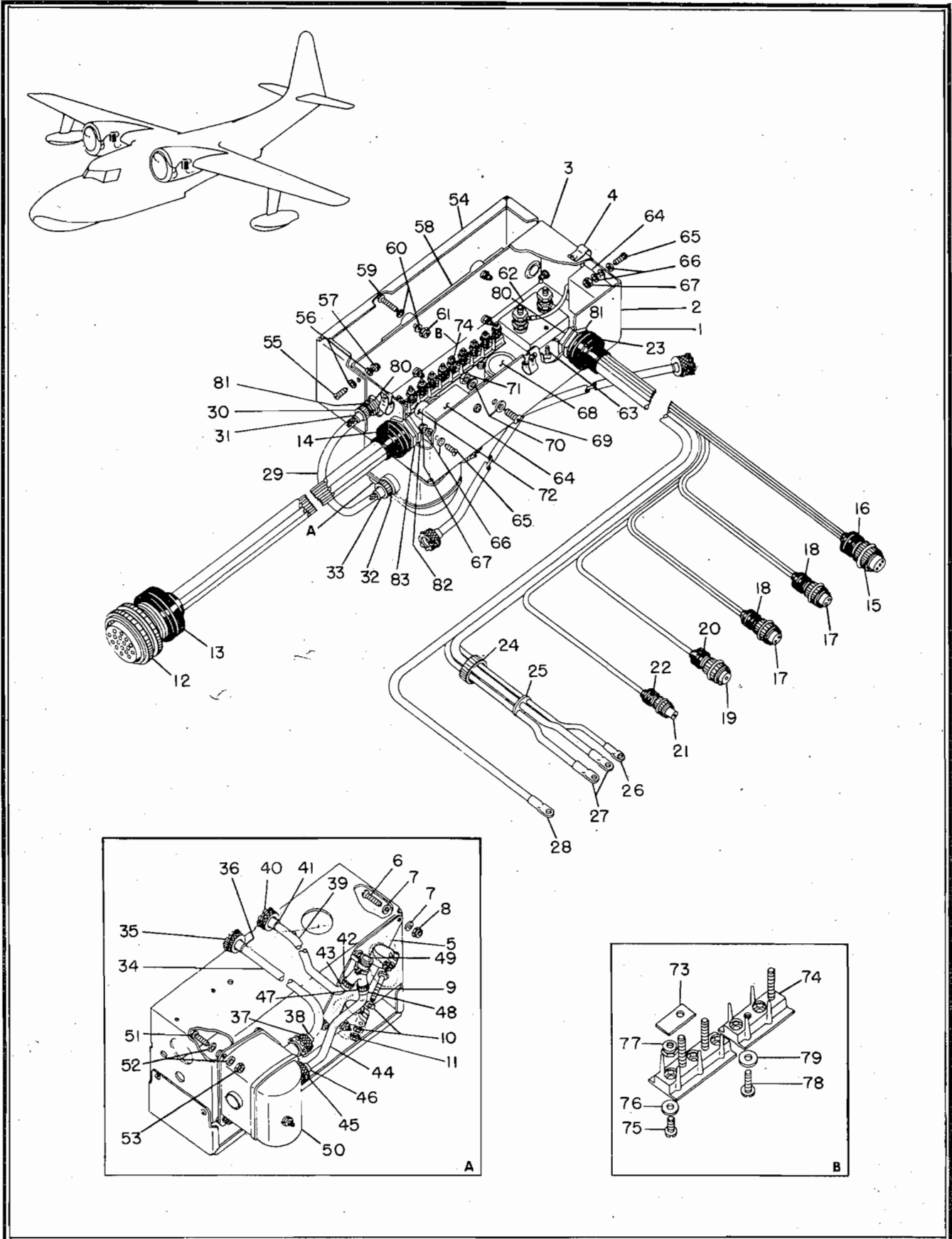


Figure 237—Engine Junction Box Assembly (See Figure 238)



Figure & Index No.	Part No.	Nomenclature 1 2 3 4 5 6 7	Units Per Assy	Usage Code
POWER PLANT (Cont)				
Engine Junction Box Assembly				
237-	110061-1	. . . Box Assembly - Engine junction (See Fig. 233-6)	Ref	cr
-1	110060-1 Box and Cover	1	cr
-2	110060-2 Box	1	cr
-3	110060-3 Cover	1	cr
-4	G189 Clip	3	cr
-5	110120-1 Bracket Assembly (iap)	1	cr
ATTACHING PARTS				
-6	AN515-8-12 Screw	4	cr
-7	AN960D8L Washer	8	cr
-8	AN365-832 Nut	4	cr
-9	AN3-13A Bolt	2	cr
-10	AN960D10 Washer	4	cr
-11	AN365-1032 Nut	2	cr
-12	AN3106-36-19S Plug	1	cr
-13	G355-5A Boot	1	cr
-14	G355-4 Boot	1	cr
-15	AN3106-14S-1S Plug	1	cr
-16	G355-2 Boot	1	cr
-17	AN3106-12S-3S Plug	2	cr
-18	G355-1 Boot	2	cr
-19	AN3106-12-5S Plug	1	cr
-20	G355-1 Boot	1	cr
-21	AN3106-8S-1S Plug	1	cr
-22	G355-1 Boot	1	cr
-23	G355-4 Boot	1	cr
-24	AN3054-12 Nut	1	cr
-25	111823-1 Disc	1	cr
-26	31900	. . . Terminal (Aircraft Marine Products, Inc.)	1	cr
-27	F26	. . . Terminal (The Thomas & Betts Co.)	2	cr
-28	F72	. . . Terminal (The Thomas & Betts Co.)	1	cr
-29	110061-2	. . . Conduit Assembly - Induction vibrator	1	cr
-30	AN3054-3 Nut	1	cr
-31	AN3050-3 Ferrule	1	cr
-32	AN3054-3 Nut	1	cr
-33	AN3051-4 Ferrule	1	cr
-34	110061-3	. . . Conduit Assembly - Right magneto	1	cr
-35	No Number Nut - Magneto coupling (Furnished with engine)	1	cr
-36	AN3050-4 Ferrule	1	cr
-37	No Number Nut (Furnished with induction vibrator, part no. VJR24C5 made by American Bosch Corp.)	1	cr
-38	AN3050-4 Ferrule	1	cr
-39	110061-4	. . . Conduit Assembly - Left magneto	1	cr
-40	No Number Nut - Magneto coupling (Furnished with engine)	1	cr
-41	AN3050-4 Ferrule	1	cr
-42	AN3054-4 Nut	1	cr
-43	AN3050-4 Ferrule	1	cr
-44	110061-5	. . . Conduit Assembly - Left magneto	1	cr
-45	No Number Nut - Magneto coupling (Furnished with engine)	1	cr
-46	AN3050-4 Ferrule	1	cr
-47	AN3054-4 Nut	1	cr
-48	AN3050-4 Ferrule	1	cr
-49	NAF1161	. . . Coupling - "Y"	1	cr

Section II
Group Assembly Parts List

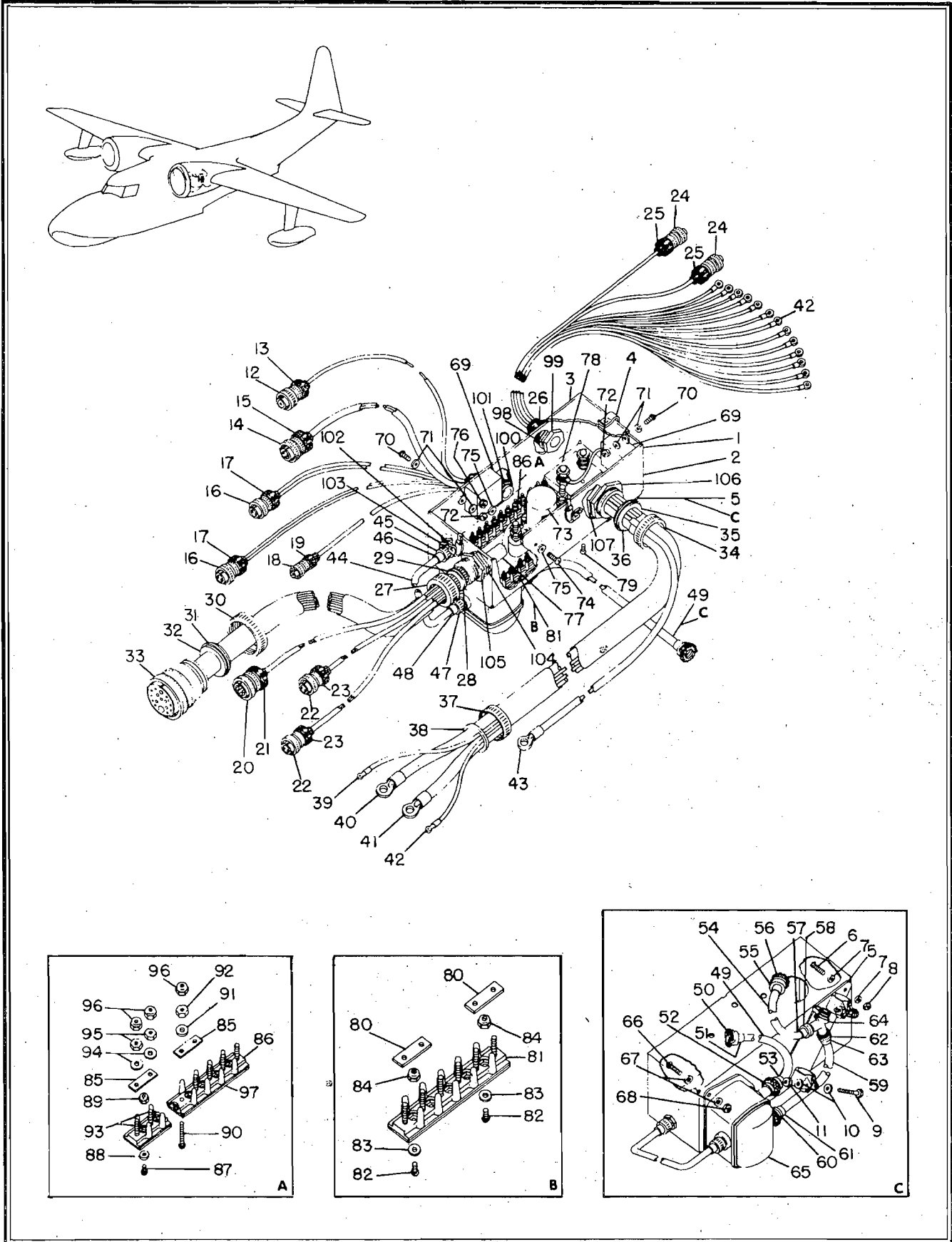


Figure 238—Engine Junction Box Assembly (See Figure 237)



Section II
Group Assembly Parts List

Figure & Index No.	Part No.	Nomenclature							Units Per Assy	Usage Code
		1	2	3	4	5	6	7		
POWER PLANT (Cont)										
Engine Junction Box Assembly (Cont)										
237-50	VJR24C5	. . .	Vibrator - Induction (American Bosch Corp.)					1	cr	
		ATTACHING PARTS								
-51	AN520-10-12	. . .	Screw					3	cr	
-52	AN960D10L	. . .	Washer					6	cr	
-53	AN365-1032	. . .	Nut					3	cr	
-54	110060-4	. . .	Shield (iap)					1	cr	
		ATTACHING PARTS								
-55	AN515-6-8	Screw					4	cr	
-56	AN960D6L	Washer					8	cr	
-57	AN365-632	Nut					4	cr	
-58	1050	. . .	Resistor (Avia Products Co.)					1	cr	
		ATTACHING PARTS								
-59	AN515-8-14	. . .	Screw					4	cr	
-60	AN960D8L	. . .	Washer					8	cr	
-61	AN365-832	. . .	Nut					4	cr	
-62	110097-1	. . .	Block Assembly (iap)					1	cr	
		ATTACHING PARTS								
-63	AN505-8-8	Screw					2	cr	
-64	CA275X	. . .	Condenser - 4Mfd 50V (P. R. Mallory Co., Inc.)					2	cr	
		ATTACHING PARTS								
-65	AN515-6-8	. . .	Screw					4	cr	
-66	AN960D6L	. . .	Washer					8	cr	
-67	AN365-632	. . .	Nut					4	cr	
-68	B8	. . .	Relay (Guardian Electric Manufacturing Co.)					1	cr	
		ATTACHING PARTS								
-69	AN520-416-10	. . .	Screw					2	cr	
-70	AN960D416L	. . .	Washer					4	cr	
-71	AN365-428	. . .	Nut					2	cr	
-72	1MFD-100V DC	. . .	Condenser (Solar Aircraft Corp.)					1	cr	
-73	G158-1-6	. . .	Strip - Insulating					1	cr	
-74	G159-C12-12	. . .	Panel Assembly (iap)					1	cr	
		ATTACHING PARTS								
-75	AN515-4-5	Screw					1	cr	
-76	AN960D4L	Washer					1	cr	
-77	AN365-440	Nut					1	cr	
-78	AN515-6-16	Screw					1	cr	
-79	AN960D6L	Washer					1	cr	
-80	AN3066-3	. . .	Nut - Lock					1	cr	
-81	AN3064-3	. . .	Connector					1	cr	
-82	AN3066-16	. . .	Nut - Lock					2	cr	
-83	AN3064-16	. . .	Connector					2	cr	

Section II
Group Assembly Parts List



Figure & Index No.	Part No.	Nomenclature 1 2 3 4 5 6 7	Units	Usage
			Per Assy	Code
POWER PLANT (Cont)				
Engine Junction Box Assembly (Cont)				
238-	110065-7	. . . Box Assembly - Engine junction (See Fig. 233-6)	Ref	cn
	110065-8	. . . Box Assembly - Engine junction (See Fig. 233-6)	Ref	cs
	110065-9	. . . Box Assembly - Engine junction (See Fig. 233-6)	Ref	co
-1	110060-6 Box and Cover Assembly	1	cq
	110060-8 Box and Cover Assembly	1	cs
-2	110060-5 Box	1	cq
	110060-7 Box	1	cs
-3	110060-3 Cover	1	cp
-4	G189 Clip	3	cp
-5	110120-1 Bracket Assembly (iap)	1	cp
ATTACHING PARTS				
-6	AN515-8-12 Screw	4	cp
-7	AN960D8L Washer	4	cp
-8	AN365-832 Nut	8	cp
-9	AN3-13A Bolt	2	cp
-10	AN960D10 Washer	4	cp
-11	AN365-1032 Nut	2	cp
-12	AN3106-12-5S Plug	1	cp
-13	G355-1 Boot	1	cp
-14	AN3106-14S-1S Plug (Furnished with Tachometer Assembly, part no. 1001G-02-0 made by Kollsman Instrument Division, Square "D" Company)	1	cp
-15	G355-2 Boot	2	cp
-16	AN3106-12S-3S Plug	2	bl
-17	G355-1 Boot	2	bl
-18	AN3106-8S-1S Plug	1	cp
-19	G355-1 Boot	1	cp
-20	AN3106-16S-8P Plug	1	bl
-21	G355-1 Boot	1	bl
-22	AN3106-12S-3S Plug	2	cp
-23	G355-1 Boot	2	cp
-24	AN3106-10S-2S Plug	2	cs
-25	G355-1 Boot	2	cs
-26	G355-3 Boot	1	cs
-27	AN3054-16 Nut	1	cp
-28	111866-2 Washer	1	cp
-29	AN931-12-17 Grommet	1	cp
-30	AN3054-24 Nut	1	cp
-31	111866-3 Washer	1	cp
-32	AN931-16-22 Grommet	1	cp
-33	AN3106-36-19S Plug	1	cp
-34	AN3054-20 Nut	1	cp
-35	111866-1 Washer	1	cp
-36	AN931-14-20 Grommet	1	cp
-37	AN3054-20 Nut	1	cp
-38	111832-2 Disc	1	cp
-39	J-73 Terminal (The Thomas & Betts Co.)	1	cp
-40	40 Terminal (The Thomas & Betts Co.)	1	cp
-41	31900 Terminal (Aircraft Marine Products, Inc.)	1	cp
-42	31889 Terminal (Aircraft Marine Products, Inc.)	1	cp
	31889 Terminal (Aircraft Marine Products, Inc.)	13	cn
-43	F73 Terminal (The Thomas & Betts Co.)	1	cp
-44	110065-2 Conduit Assembly - Induction vibrator	1	cp
-45	AN3054-3 Nut	1	cp



Figure & Index No.	Part No.	Nomenclature							Units Per Assy	Usage Code
		1	2	3	4	5	6	7		
POWER PLANT (Cont)										
Engine Junction Box Assembly (Cont)										
238-46	AN3050-3	Ferrule						1	cp
-47	AN3054-3	Nut						1	cp
-48	AN3051-4	Ferrule						1	cp
-49	110065-3	. . .	Conduit Assembly - Right magneto						1	cp
-50	No Number	Nut - Magneto coupling (Furnished with engine)						1	cp
-51	AN3050-4	Ferrule						1	cp
-52	No Number	Nut (Furnished with induction vibrator, part no. VJR24C5 made by American Bosch Corp.)						1	cp
-53	AN3050-4	Ferrule						1	cp
-54	110065-4	. . .	Conduit Assembly - Left magneto						1	cp
-55	No Number	Nut - Magneto coupling (Furnished with engine)						1	cp
-56	AN3050-4	Ferrule						1	cp
-57	AN3054-4	Nut						1	cp
-58	AN3050-4	Ferrule						1	cp
-59	110065-5	. . .	Conduit Assembly - Left magneto						1	cp
-60	No Number	Nut - Magneto coupling (Furnished with engine)						1	cp
-61	AN3050-4	Ferrule						1	cp
-62	AN3054-4	Nut						1	cp
-63	AN3050-4	Ferrule						1	cp
-64	NAF1161	. . .	Coupling - "Y"						1	cp
-65	VJR24C5	. . .	Vibrator - Induction (American Bosch Corp.)						1	cp
ATTACHING PARTS										
-66	AN520-10-12	. . .	Screw						3	cp
-67	AN960D10L	. . .	Washer						3	cp
-68	AN365-1032	. . .	Nut						6	cp
-69	CA275X	. . .	Condenser - 4MFD 50V (P. R. Mallory & Co., Inc.)						1	cp
ATTACHING PARTS										
-70	AN515-6-8	. . .	Screw						4	cp
-71	AN960D6L	. . .	Washer						8	cp
-72	AN365-632	. . .	Nut						4	cp
-73	B8	. . .	Relay (Guardian Electric Manufacturing Co.)						1	cp
ATTACHING PARTS										
-74	AN520-416-12	. . .	Screw						2	cp
-75	AN960D10L	. . .	Washer						2	cp
-76	AN365-1032	. . .	Nut						4	cp
-77	1MFD-100V DC	. . .	Condenser (Solar Aircraft Corp.)						1	cp
-78	110113-1	. . .	Block Assembly						1	cp
ATTACHING PARTS										
-79	AN505-8-8	Screw						2	cp
-80	G158-2-8	. . .	Strip - Insulating						1	cp
-81	G159-B5-12	. . .	Panel Assembly (iap)						1	cp
ATTACHING PARTS										
-82	AN515-4-5	Screw						2	cp
-83	AN960D4L	Washer						2	cp
-84	AN365-440	Nut						2	cp
-85	G158-2-8	. . .	Strip - Insulating						1	cp
-86	G154-B13	. . .	Panel (iap)						1	cp
ATTACHING PARTS										
-87	AN515-4-5	Screw						1	cp
-88	AN960D4L	Washer						1	cp
-89	AN365-440	Nut						1	cp
-90	AN515-6-16	Screw						1	cp

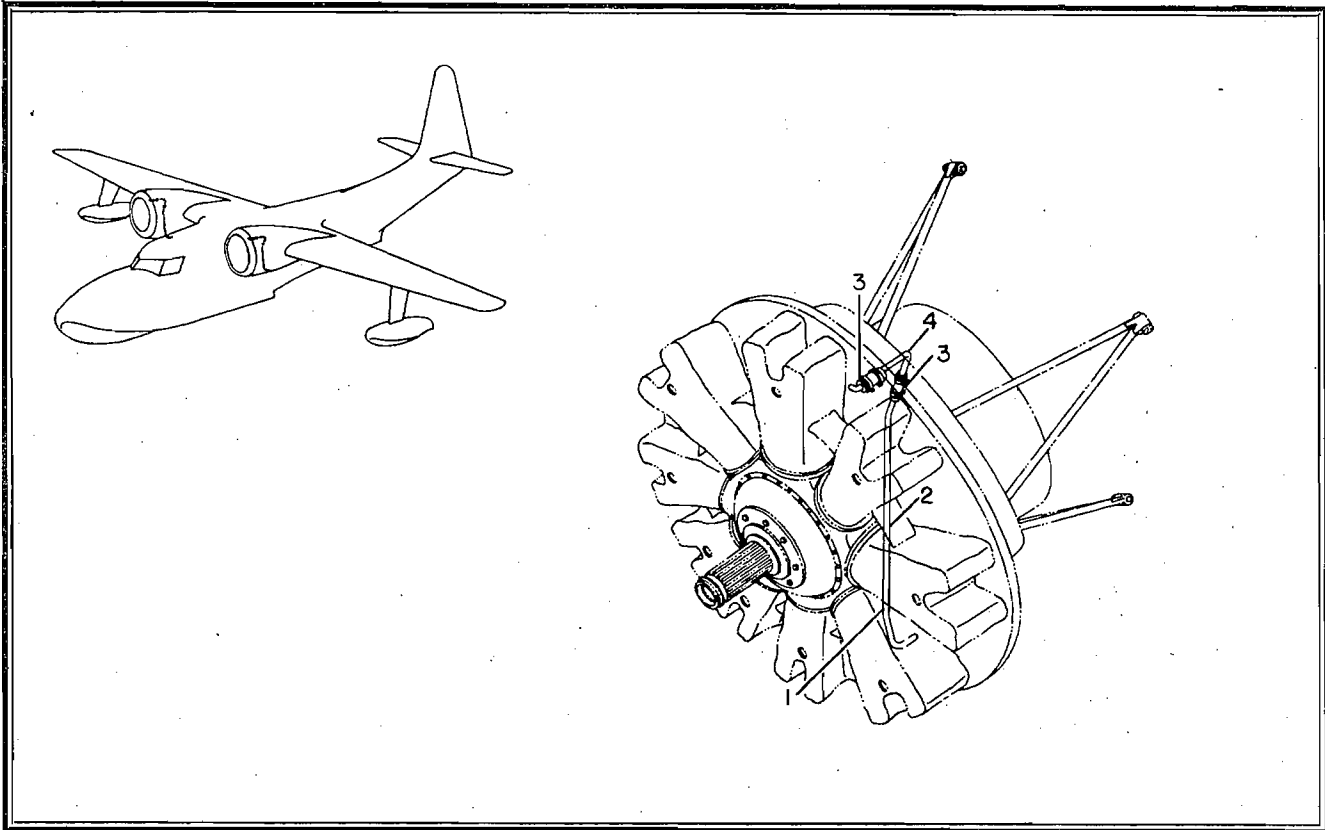


Figure 239—Crankcase Breather Line Installation

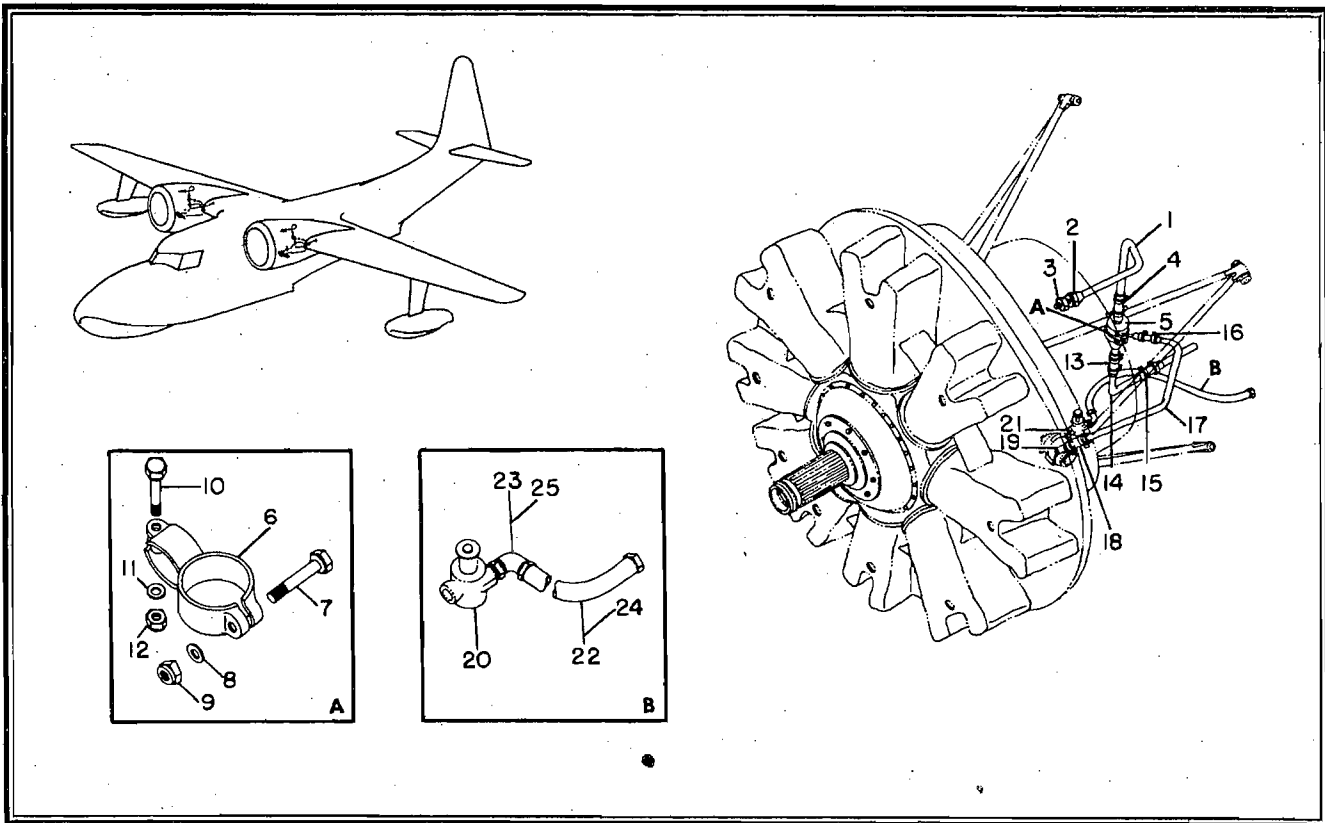


Figure 240—Vacuum System Installation



Section II
Group Assembly Parts List

Figure & Index No.	Part No.	Nomenclature							Units Per Assy	Usage Code
		1	2	3	4	5	6	7		
POWER PLANT (Cont)										
Engine Junction Box Assembly (Cont)										
238-91	AN960D6	Washer	1	cp	
-92	AN340-6	Nut	1	cp	
-93	G157-6-12	Screw	12	cp	
-94	AN960-6	Washer	13	cp	
-95	AN340-6	Nut	12	cp	
-96	AN365-632	Nut	13	cp	
-97	G153-59-1	Strip	1	cp	
-98	AN3066-10	Nut - Lock	1	cs	
-99	AN3064-10	Connector - Box	1	cs	
-100	AN3066-8	Nut - Lock	1	cp	
-101	AN3061-8	Connector - Box	1	cp	
-102	AN3066-3	Nut - Lock	1	cp	
-103	AN3064-3	Connector - Box	1	cp	
-104	AN3066-16	Nut - Lock	1	cp	
-105	AN3064-16	Connector - Box	1	cp	
-106	AN3066-20	Nut - Lock	1	cp	
-107	AN3064-20	Connector - Box	1	cp	

Crankcase Breather Line Installation

239-1	109012-1	.	Line Installation - Engine crankcase breather	1	All
-2	109012-3	.	Tube - 3/4 in. O.D.	1	All
-3	109012-4	.	Hose (type P-215 - United States Rubber Co.)	2	All
-4	109012-2	.	Tube - 3/4 in. O.D.	1	All

Vacuum System Installation

240-	No Number	.	System Installation - Vacuum L.H. (Reference Grumman drawing no. 109006)	1	All
	No Number	.	System Installation - Vacuum R.H. (Reference Grumman drawing no. 109006)	1	All
-1	109006-1	.	Tube Assembly - 1/2 in. O.D.	1	All
-2	ER817-8	.	Nut (The Weatherhead Co.)	1	All
-2	ER819-8	.	Sleeve (The Weatherhead Co.)	1	All
-3	ER816-8	.	Nipple (The Weatherhead Co.)	1	All
-4	109006-39	.	Hose (type P-215 - United States Rubber Co.)	1	All
-5	11547	.	Separator Assembly - Oil	1	All
-6	109214	.	Clamp - Oil separator (lap)	1	All
ATTACHING PARTS					
-7	AN3-16A	.	Bolt	1	All
-8	AN960-10	.	Washer	1	All
-9	AN365-1032	.	Nut	1	All
-10	AN3-12A	.	Bolt	1	All

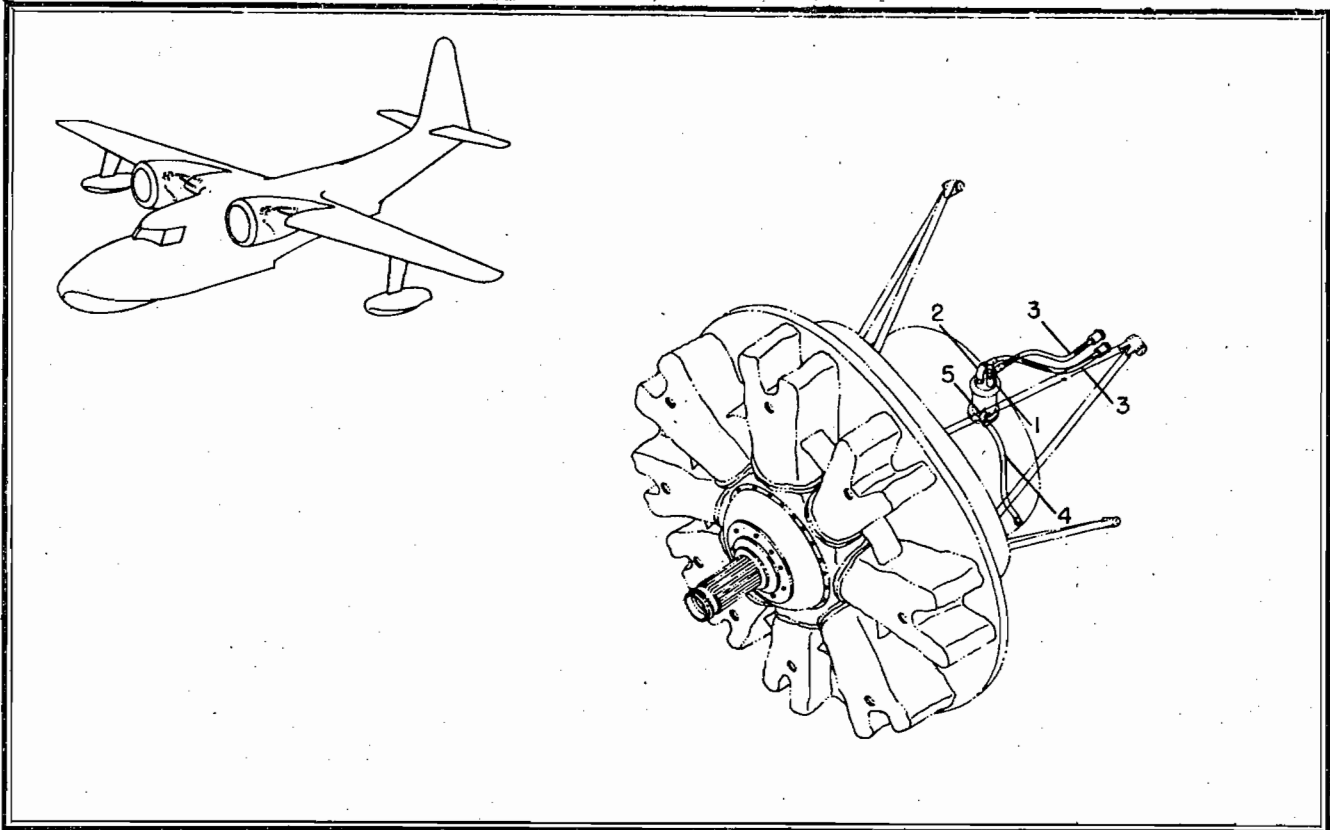


Figure 241—Hydraulics Installation

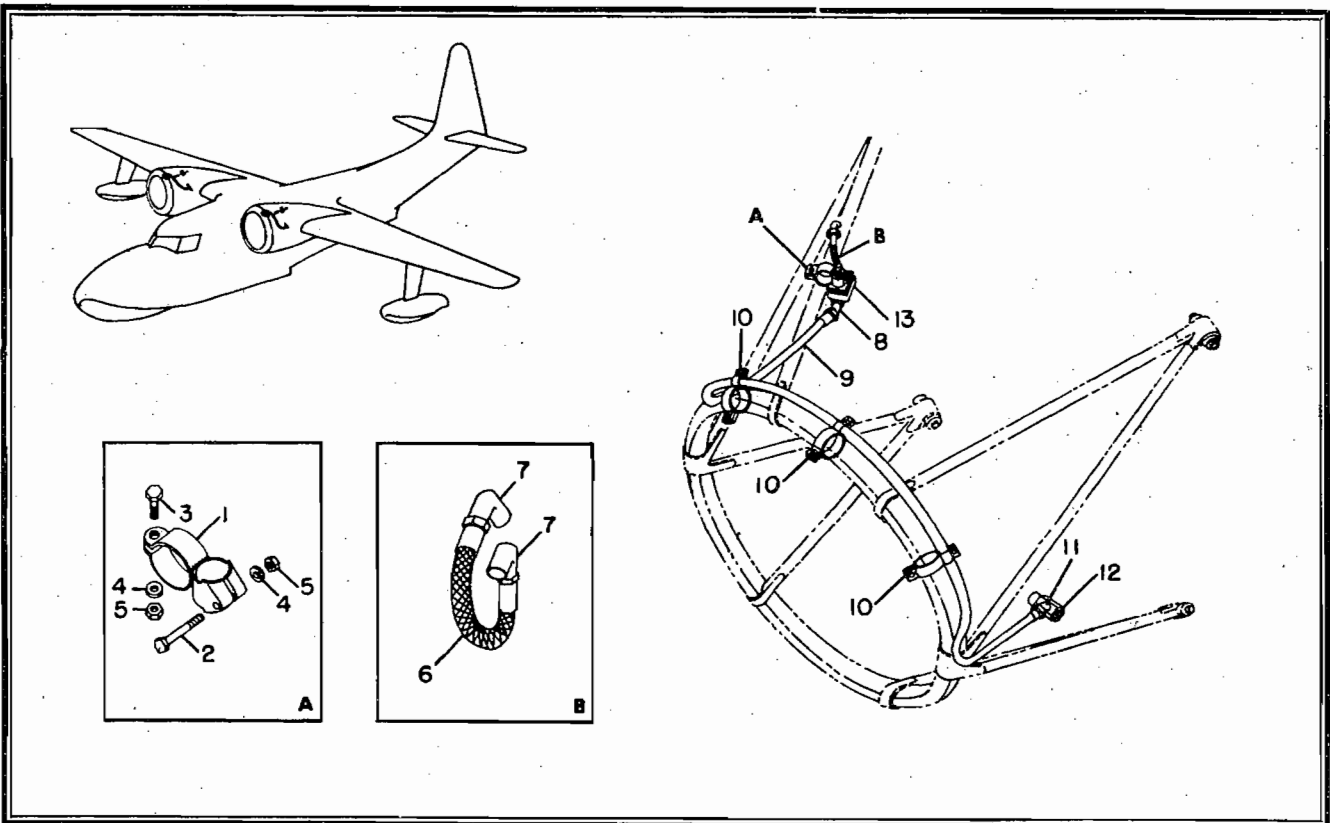


Figure 242—Oil Dilution System Installation



Section II
Group Assembly Parts List

Figure & Index No.	Part No.	Nomenclature 1 2 3 4 5 6 7	Units Per Assy	Usage Code
POWER PLANT (Cont)				
Vacuum System Installation (Cont)				
240-11	AN960-10	. . . Washer	1	All
-12	AN365-1032	. . . Nut	1	All
-13	109006-39	. . Hose (type P-215 - United States Rubber Co.)	1	All
-14	109006-38	. . Tube - Separator to engine	1	All
-15	109006-39	. . Hose (type P-215 - United States Rubber Co.)	1	All
-16	109006-39	. . Hose (type P-215 - United States Rubber Co.)	1	All
-17	109006-37	. . Tube - Vacuum pump to separator	1	All
-18	109006-39	. . Hose (type P-215 - United States Rubber Co.)	1	All
-19	AN842-8D	. . Elbow	1	All
-20	RB2110-A	. . Valve - Relief (Romec Pump Co.)	1	All
-21	AN911-3D	. . Nipple	1	All
-22	350-8W-12	. . Hose Assembly - Flex (Aeroquip Corp.)	1	All
-23	AN822-8D	. . Elbow	1	All
-24	350-8W-20	. . Hose Assembly - Flex (Aeroquip Corp.)	1	All
-25	AN822-8D	. . Elbow	1	All

Hydraulics Installation

241-	No Number	. Hydraulics Installation (Reference Grumman drawing no. 109533 and 109000)	1	All
-1	AN775-8D	. . Bolt - Universal fitting	1	All
-1	AN901-8C	. . Gasket	2	All
-1	AN776-8D	. . Elbow - Universal 90°	1	All
-2	AN833-8D	. . Elbow - Bulkhead 90°	1	All
-2	AN924-8D	. . Nut	1	All
-2	AN6227-10	. . Packing - "O" Ring	1	All
-3	AN6264-8D-18	. . Hose Assembly	2	All
-4	109230-3	. . Tube Assembly - Pump drain 1/4 in. O.D.	1	All
-4	AN819-4Z	. . . Sleeve	2	All
-4	AN818-4D	. . . Nut	2	All
-5	AN822-4D	. . . Elbow	1	All

Oil Dilution System Installation

242-	109016-1	. System Installation - Oil dilution	1	ag
-1	109091-1	. . Clamp (lap)	1	ag
ATTACHING PARTS				
-2	AN3-12A	. . . Bolt	1	ag
-3	AN3-5A	. . . Bolt	1	ag
-4	AN960-10	. . . Washer	2	ag
-5	AN365-1032	. . . Nut	2	ag
-6	350-4W-8	. . Hose Assembly - Flex (Aeroquip Corp.)	1	ag
-7	AN822-4	. . Elbow	2	ag

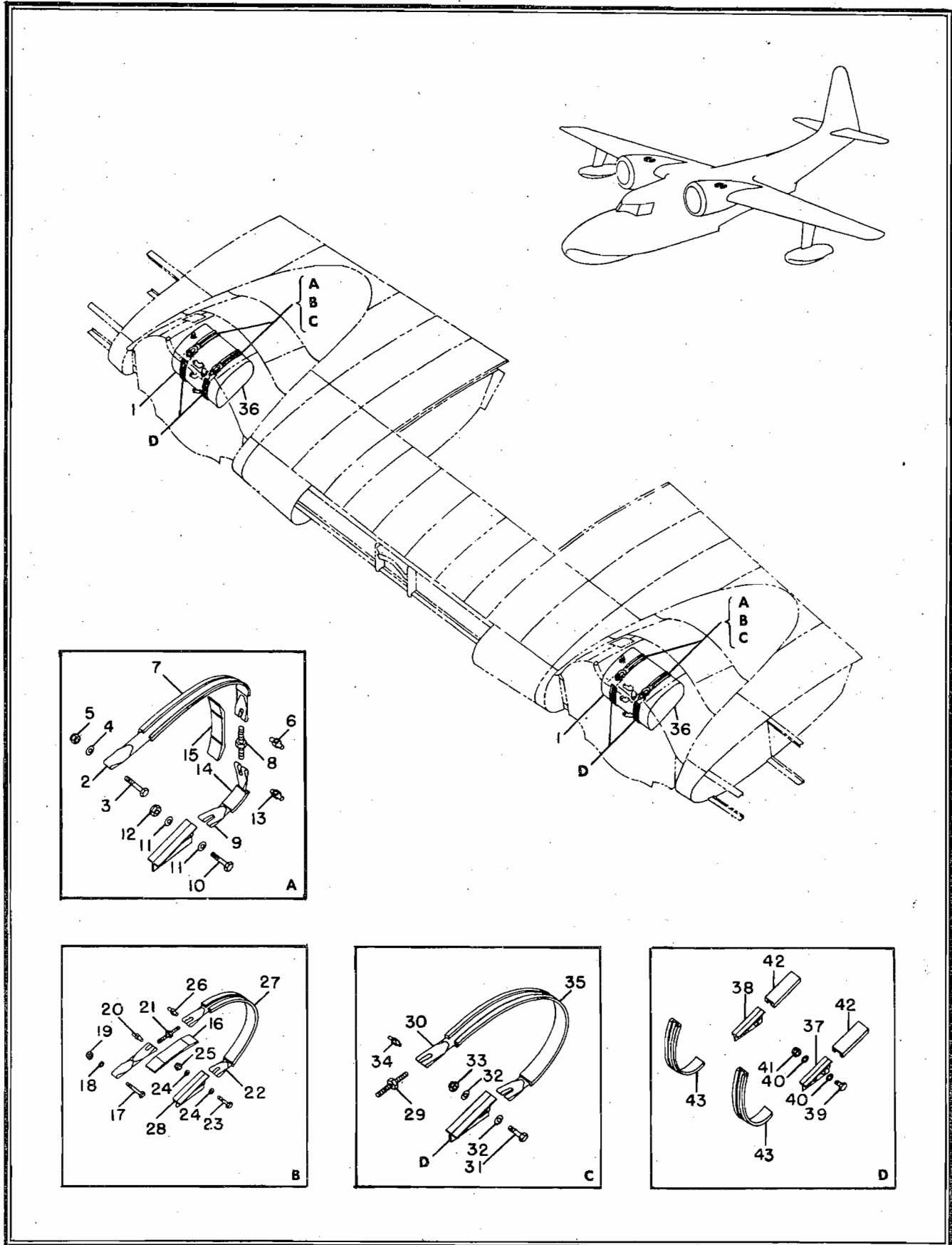


Figure 243—Oil Tank Installation



Figure & Index No.	Part No.	Nomenclature 1 2 3 4 5 6 7	Units Per Assy	Usage Code
-----------------------	----------	-------------------------------	-------------------	---------------

POWER PLANT (Cont)

Oil Dilution System Installation (Cont)

242-8	AN823-4	. . Elbow	1	ag
-9	350-4W-52	. . Hose Assembly - Flex (Aeroquip Corp.)	1	ag
-10	G81-8-20-0	. . Clamp	3	ag
-11	109016-5	. . Fitting - Restrictor	1	ag
-12	112680-1	. . Fitting	1	ag
-13	40R342	. . Valve - Solenoid (General Controls)	1	ag

Oil Tank Installation

243-1	109125-5	Tank Installation - Oil	2	t
	109125-6	Tank Installation - Oil	2	aa
	109125-8	Tank Installation - Oil	2	j
-2	G160-2R-16-1/2	. Strap Assembly (iap)	2	t
ATTACHING PARTS				
-3	AN4-20A	. . Bolt	1	t
-4	AN960-416	. . Washer	1	t
-5	AN365-428	. . Nut	1	t
-6	G121R	. . Trunnion	1	t
-7	2600-2 x 11-1/8	. Channel - Adelite (Adel Precision Products Corp.)	2	t
-8	G122	. Turnbuckle	2	t
-9	109130	. Strap Assembly (iap)	2	t
ATTACHING PARTS				
-10	AN6-16	. . Bolt	1	t
-11	AN960-616	. . Washer	2	t
-12	AN365-624	. . Nut	1	t
-13	G121L	. . Trunnion	1	t
-14	2600-2 x 1-7/8	. Channel - Adelite (Adel Precision Products Corp.)	2	t
-15	109131	. Shim	2	t
-16	G160-2R-5	. Strap Assembly (iap)	2	aa
ATTACHING PARTS				
-17	AN4-20A	. . Bolt	1	aa
-18	AN960-416	. . Washer	1	aa
-19	AN365-428	. . Nut	1	aa
-20	G121R	. . Trunnion	1	aa
-21	G122	. Turnbuckle	1	aa
-22	109158	. Strap Assembly (iap)	2	aa
ATTACHING PARTS				
-23	AN6-16	. . Bolt	1	aa
-24	AN960-616	. . Washer	2	aa
-25	AN365-624	. . Nut	1	aa
-26	G121L	. . Trunnion	1	aa
-27	2600-2 x 13-1/4	. Channel - Adelite (Adel Precision Products Corp.)	2	aa
-28	109159	. Shim	2	aa
-29	G122	. Turnbuckle	2	j

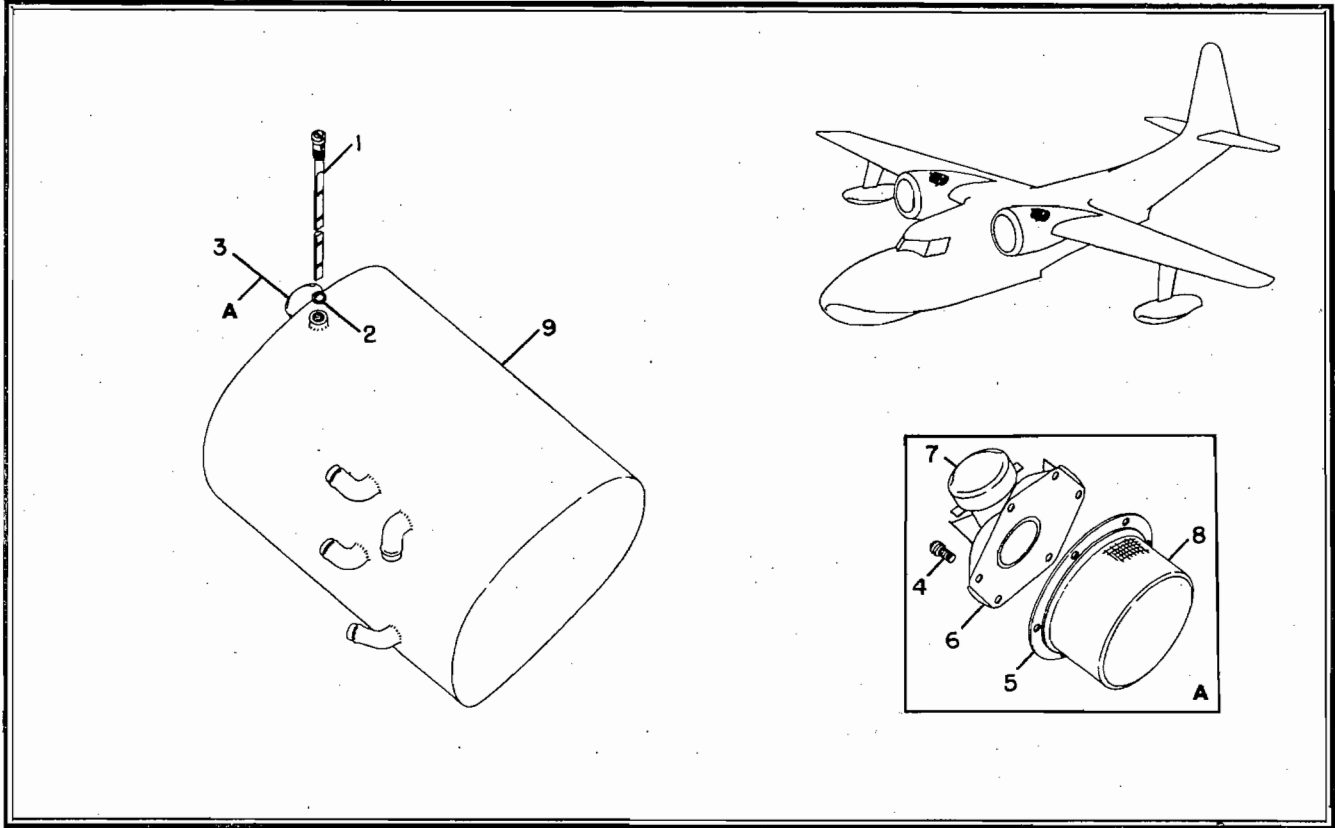


Figure 244—Oil Tank Assembly



Section II
Group Assembly Parts List

Figure & Index No.	Part No.	Nomenclature 1 2 3 4 5 6 7	Units Per Assy	Usage Code
-----------------------	----------	-------------------------------	-------------------	---------------

POWER PLANT (Cont)

Oil Tank Installation (Cont)

243-30	109158-2	. Strap Assembly (iap)	2	j
ATTACHING PARTS				
-31	AN6-16	. . Bolt	1	j
-32	AN960-616	. . Washer	2	j
-33	AN365-624	. . Nut	1	j
-34	G121L	. . Trunnion	1	j
-35	2600-2 x 18-1/4	. Channel - Adelite (Adel Precision Products Corp.)	2	j
-36	109126	. Tank Assembly - Oil (See Fig. 244)	1	All
-37	109132L	. Support Assembly - Oil tank rear L.H. (iap)	1	All
-38	109132R	. Support Assembly - Oil tank rear R.H. (iap)	1	All
ATTACHING PARTS				
-39	AN3-5A	. . Bolt	3	All
-40	AN960D10	. . Washer	6	All
-41	AN365-1032	. . Nut	3	All
-42	2600-2 x 4-1/8	. Channel - Adelite (Adel Precision Products Corp.)	2	All
-43	2600-2 x 11-7/8	. Channel - Adelite (Adel Precision Products Corp.)	2	All

Oil Tank Assembly

244-	109126	. Tank Assembly - Oil (See Fig. 243-36)	Ref	All
-1	109128	. . Rod Assembly - Oil tank gauge	1	All
-2	G138-1	. . . Gasket	1	All
-3	109129	. . Neck Assembly - Oil tank filler (iap)	1	All
ATTACHING PARTS				
-4	AN503-418-8	. . . Screw	6	All
-5	109134	. . . Gasket	1	All
-6	109129-1	. . . Neck Assembly	1	All
-7	109129-2	. . . Cap Assembly	1	All
-8	G183	. . Strainer Assembly	1	All
-9	109126-1	. . Tank Assembly - Welded	1	All

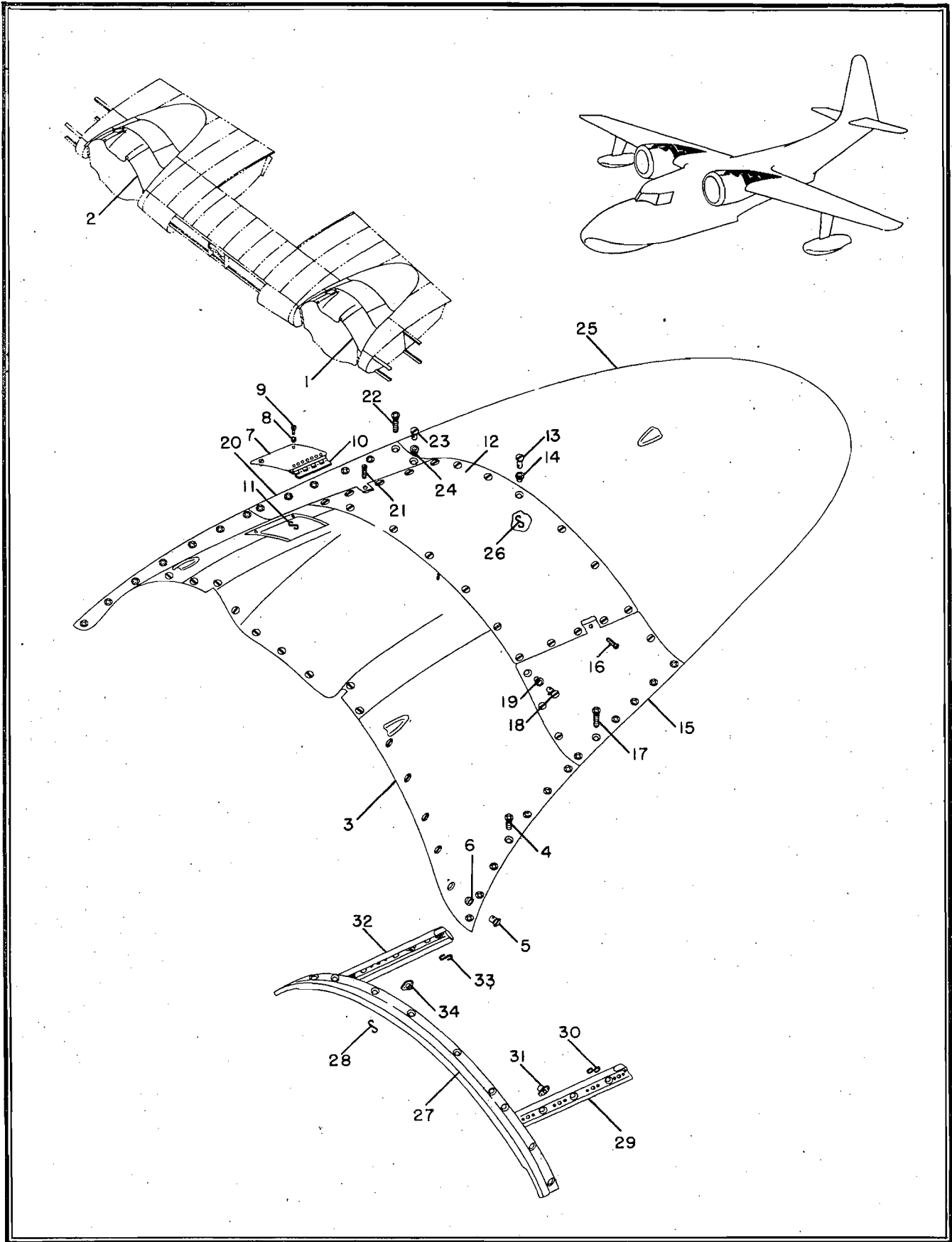


Figure 245—Top Nacelle Afterbody Assembly



Section II
Group Assembly Parts List

Figure & Index No.	Part No.	Nomenclature 1 2 3 4 5 6 7	Units Per Assy	Usage Code
POWER PLANT (Cont)				
Top Nacelle Afterbody Assembly				
245-1	108452-1L	Afterbody Assembly - Top nacelle L.H.	1	All
-2	108452-1R	Afterbody Assembly - Top nacelle R.H.	1	All
-3	108471-1L	. Panel Assembly - Top forward L.H. (iap)	(L.H.) 1	All
	108471-1R	. Panel Assembly - Top forward R.H. (iap)	(R.H.) 1	All
ATTACHING PARTS				
-4	G92-8	. . Screw	14	All
-5	FA5-35	. . Fastener (Dzus Fastener Co., Inc.)	19	u
	FA6 1/2-45	. . Fastener (Dzus Fastener Co., Inc.)	19	v
-6	GF5-175	. . Grommet (Dzus Fastener Co., Inc.)	19	u
	GF6 1/2-218	. . Grommet (Dzus Fastener Co., Inc.)	19	v
-7	108470-2	. . Door Assembly - Oil tank filler	1	All
-8	FA5-35	. . . Fastener (Dzus Fastener Co., Inc.)	2	All
-9	GF5-175	. . . Grommet (Dzus Fastener Co., Inc.)	2	All
-10	108470-5	. . . Hinge	1	All
-11	S5A-300	. . Spring (Dzus Fastener Co., Inc.)	2	All
	S6A-400	. . Spring (Dzus Fastener Co., Inc.)	2	All
-12	108466	. . Door Assembly - Access	(L.H.) 1	All
	108468	. . Door Assembly - Access	(R.H.) 1	All
-13	FA5-35	. . . Fastener (Dzus Fastener Co., Inc.)	20	u
	FA6 1/2-45	. . . Fastener (Dzus Fastener Co., Inc.)	20	v
-14	GF5-175	. . . Grommet (Dzus Fastener Co., Inc.)	20	u
	GF6 1/2-218	. . . Grommet (Dzus Fastener Co., Inc.)	20	v
-15	108452-6L	. Skin Assembly - Outboard L.H. (iap)	(L.H.) 1	All
	108452-6R	. Skin Assembly - Outboard R.H. (iap)	(R.H.) 1	All
ATTACHING PARTS				
-16	AN505-8-7	. . Screw	4	All
-17	G92-8	. . Screw	6	All
-18	FA5-35	. . Fastener (Dzus Fastener Co., Inc.)	4	u
	FA6 1/2-45	. . Fastener (Dzus Fastener Co., Inc.)	4	v
-19	GF5-175	. . Grommet (Dzus Fastener Co., Inc.)	4	u
	GF6 1/2-218	. . Grommet (Dzus Fastener Co., Inc.)	4	v
-20	108452-7L	. Skin Assembly - Inboard L.H. (iap)	(L.H.) 1	All
	108452-7R	. Skin Assembly - Inboard R.H. (iap)	(R.H.) 1	All
ATTACHING PARTS				
-21	AN505-8-7	. . Screw	4	u
-22	G92-8	. . Screw	4	v
-23	FA5-35	. . Fastener (Dzus Fastener Co., Inc.)	4	u
	FA6 1/2-45	. . Fastener (Dzus Fastener Co., Inc.)	4	v
-24	GF5-175	. . Grommet (Dzus Fastener Co., Inc.)	4	u
	GF6 1/2-218	. . Grommet (Dzus Fastener Co., Inc.)	4	v
-25	108453L	. Skin Assembly - Rear L.H.	(L.H.) 1	All
	108453R	. Skin Assembly - Rear R.H.	(R.H.) 1	All
-26	S5A-300	. . Spring (Dzus Fastener Co., Inc.)	9	u
	S6A-400	. . Spring (Dzus Fastener Co., Inc.)	9	v
-27	108460-1	. Channel - Forward	(L.H.) 1	All
	108460-3	. Channel - Forward	(R.H.) 1	All
-28	S5A-300	. . Spring (Dzus Fastener Co., Inc.)	11	u
	S6A-400	. . Spring (Dzus Fastener Co., Inc.)	11	v
-29	108459L	. Channel L.H.	(L.H.) 1	All
	108459R	. Channel R.H.	(R.H.) 1	All
-30	S5A-300	. . Spring (Dzus Fastener Co., Inc.)	6	u
	S6A-400	. . Spring (Dzus Fastener Co., Inc.)	6	v

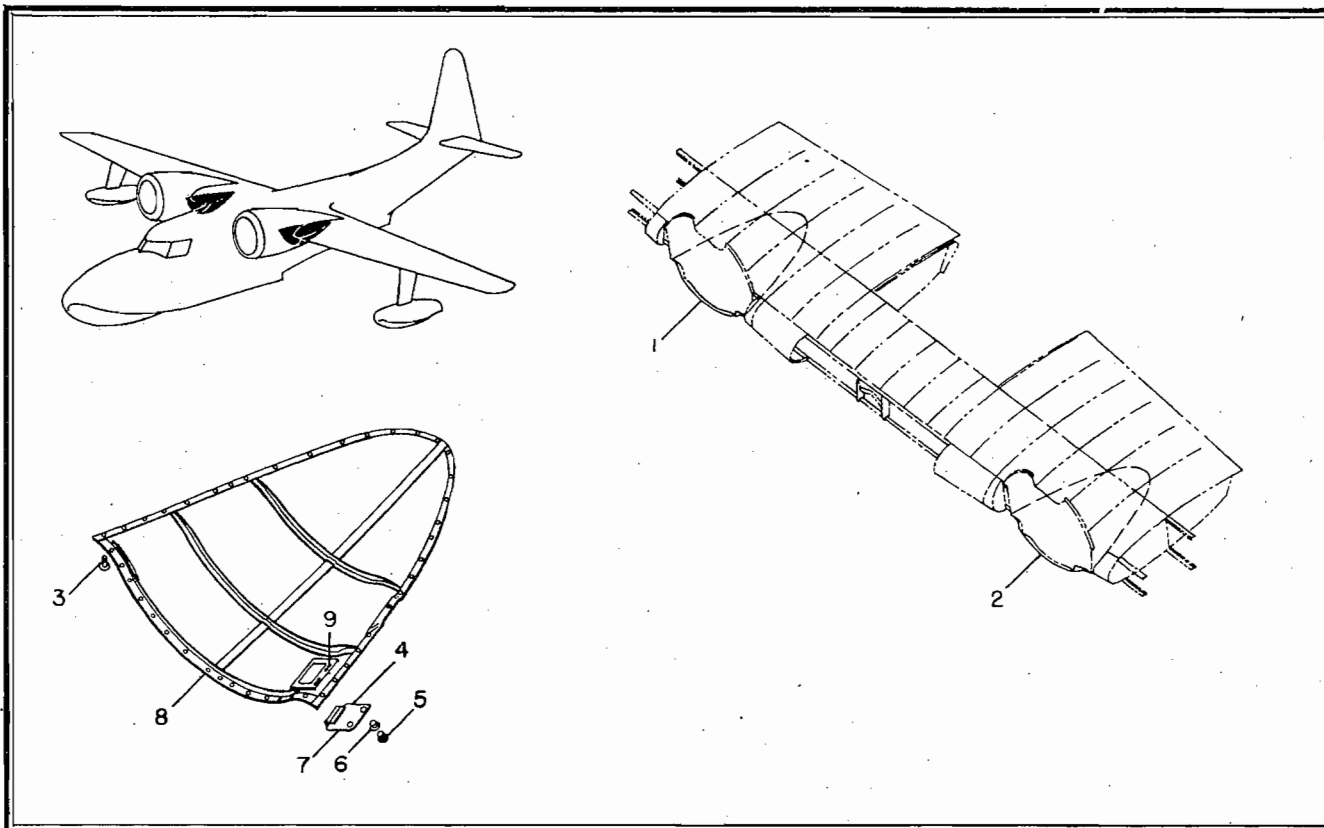


Figure 246—Bottom Nacelle Afterbody Assembly

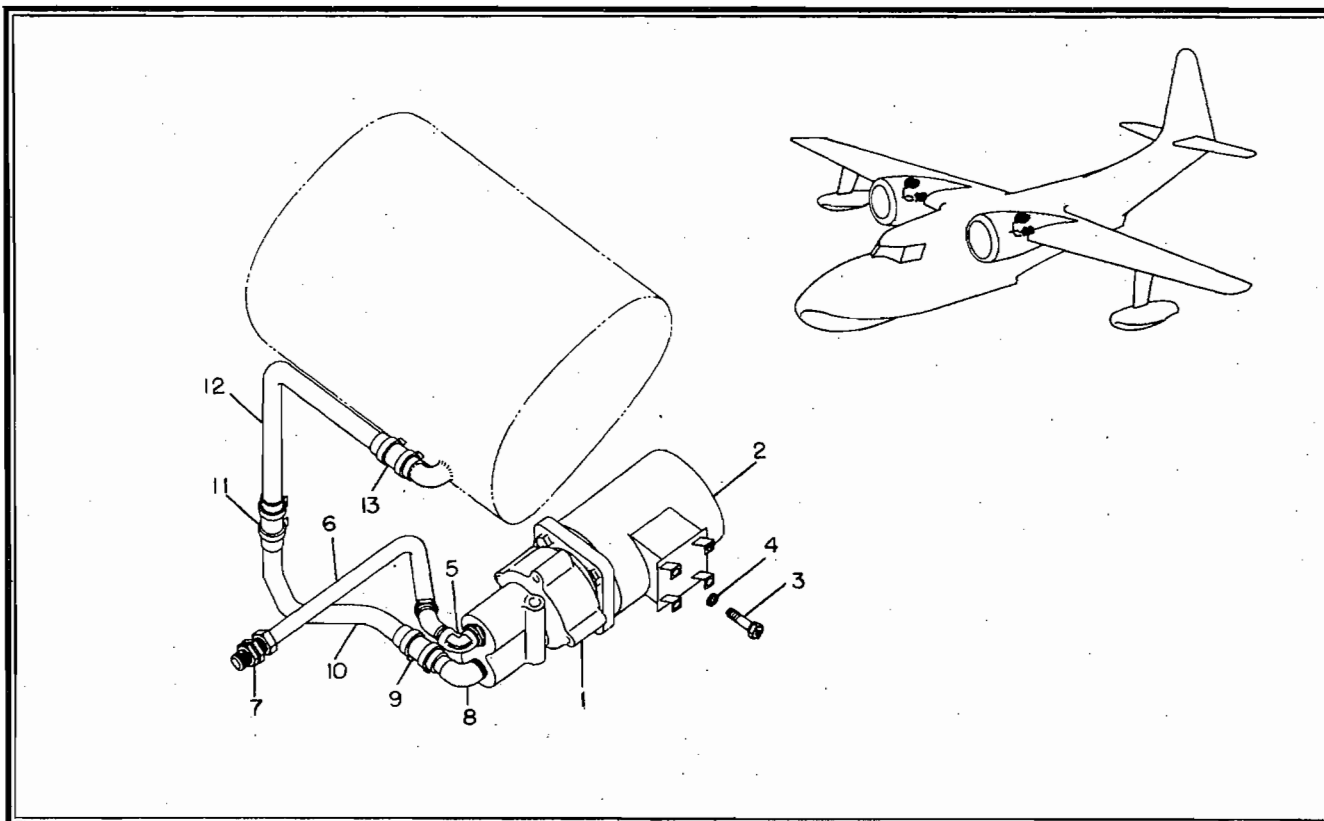


Figure 247—Nacelle Afterbody Engine Controls Installation



Section II
Group Assembly Parts List

Figure & Index No.	Part No.	Nomenclature							Units Per Assy	Usage Code
		1	2	3	4	5	6	7		
POWER PLANT (Cont)										
Top Nacelle Afterbody Assembly (Cont)										
245-31	AN366F832	. .							4	All
-32	108459R	. Channel R.H.						(L.H.)	1	All
	108459L	. Channel L.H.						(R.H.)	1	All
-33	S5A-300	. . Spring (Dzus Fastener Co., Inc.)							6	u
	S6A-400	. . Spring (Dzus Fastener Co., Inc.)							6	v
-34	AN366F832	. . Nut							4	All
Bottom Nacelle Afterbody Assembly										
246-1	108454L	Afterbody Assembly - Bottom nacelle L.H. (iap)							1	All
-2	108454R	Afterbody Assembly - Bottom nacelle R.H. (iap)							1	All
ATTACHING PARTS										
-3	G92-8	. Screw							44	All
-4	108469-2	. Door Assembly						(R.H.)	1	All
-5	FA5-35	. . Fastener (Dzus Fastener Co., Inc.)							2	All
-6	GF5-175	. . Grommet (Dzus Fastener Co., Inc.)							2	All
-7	108469-5	. . Hinge							1	All
-8	108454-9L	. Afterbody Sub-Assembly - Bottom L.H.						(L.H.)	1	All
	108454-9R	. Afterbody Sub-Assembly - Bottom R.H.						(R.H.)	1	All
-9	S5A-300	. . Spring (Dzus Fastener Co., Inc.)						(R.H.)	2	All
Nacelle Afterbody Engine Controls Installation										
247-	No Number	Controls Installation - Nacelle afterbody engine (Reference Grumman drawing no. 109000)							1	All
-1	No Number	. System Installation - Left engine propeller feathering (Reference Grumman drawing no. 109008)							1	All
	No Number	. System Installation - Right engine propeller feathering (Reference Grumman drawing no. 109008)							1	All
-2	59664-1	. . Pump - Propeller feathering (Hamilton Standard Propellers Division of United Aircraft Corp.)							1	All
ATTACHING PARTS										
-3	AN76A5	. . Bolt							4	All
-4	AN960D616	. . Washer							4	All
-5	AN912-7D	. . Reducer							1	All
-5	AN914-4D	. . Elbow							1	All
-5	AN823-10D	. . Elbow							1	All
-6	360-10WD-14	. . Hose - Flex (Aeroquip Corp.)							1	All
-7	AN832-10D	. . Union							1	All
-7	AN924-10D	. . Nut							1	All
-7	AN901-10C	. . Gasket							2	All
-8	109243	. . Fitting							1	All
-9	AN878-16-15	. . Hose							1	All
-10	109008-2	. . Tube - 1 in. O.D.							1	All
-11	AN878-16-15	. . Hose							1	All

Section II
Group Assembly Parts List

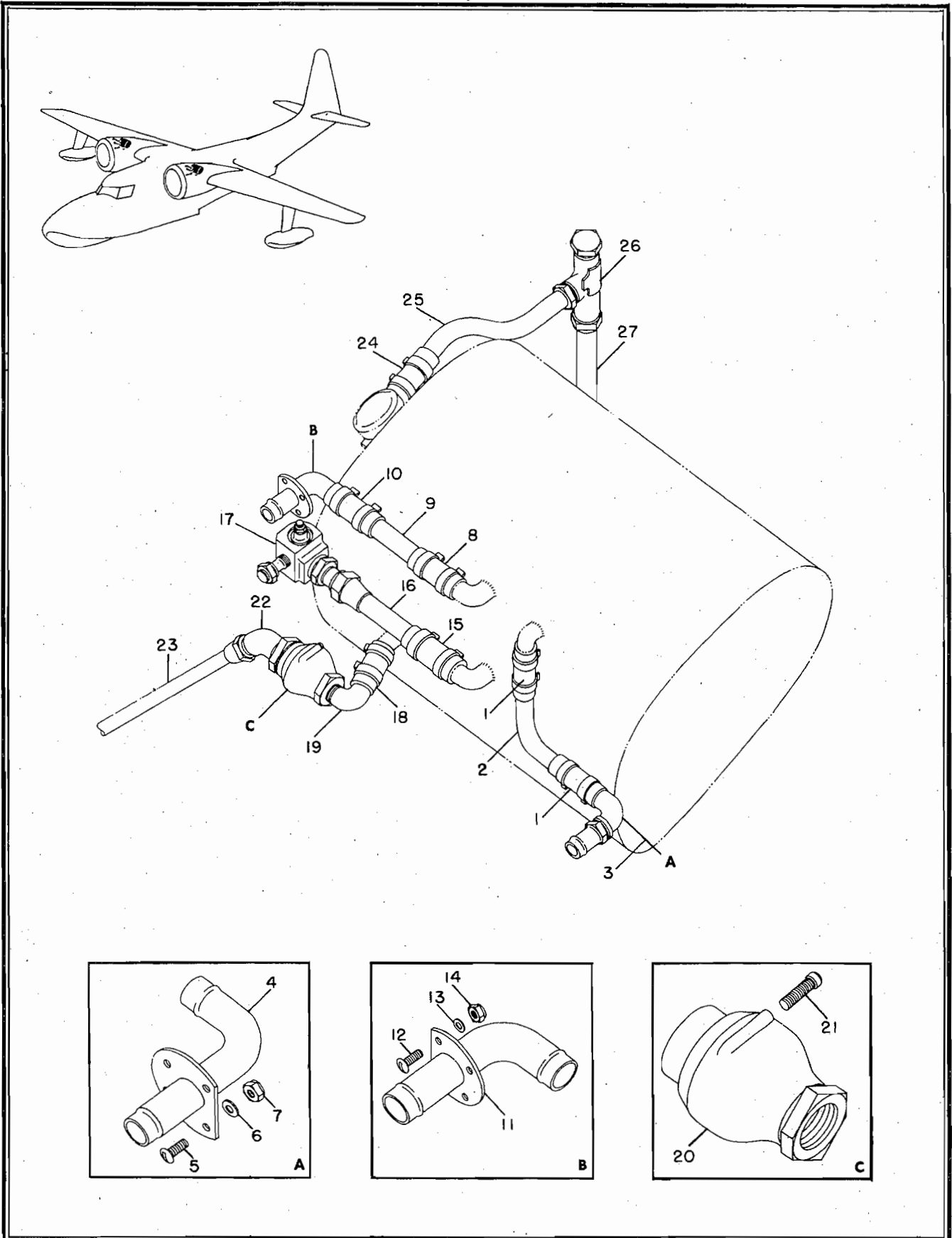


Figure 248—Nacelle Afterbody Oil System Installation



Section II
Group Assembly Parts List

Figure & Index No.	Part No.	Nomenclature 1 2 3 4 5 6 7	Units Per Assy	Usage Code
POWER PLANT (Cont)				
Nacelle Afterbody Engine Controls Installation (Cont)				
247-12 -13	109008-1 AN878-16-15	. . Tube - 1 in. O.D. . . Hose	1 1	All All
Nacelle Afterbody Oil System Installation				
248-	No Number	System Installation - Nacelle afterbody oil L.H. (See Fig. 243 for oil tank installation) (Reference Grumman drawing no. 109002)	1	All
	No Number	System Installation - Nacelle afterbody oil R.H. (See Fig. 243 for oil tank installation) (Reference Grumman drawing no. 109002)	1	All
-1	AN878-12-12	. Hose	2	All
-2	109002-33	. Tube - 3/4 in. O.D. oil tank vent	1	All
-3	AN848-12D	. Elbow	1	All
-3	AN901-12C	. Gasket	1	All
-3	AN924-12D	. Nut	1	All
-4	109153	. Fitting (iap) (alternate part to index number 3)	1	All
ATTACHING PARTS				
-5	AN520-10-8	. . Screw	4	All
-6	AN960-10	. . Washer	4	All
-7	AN365-1032	. . Nut	4	All
-8	AN878-16-15	. Hose	1	All
-9	109002-31	. Tube - 1 in. O.D. oil return	1	All
-10	AN878-16-12	. Hose	1	All
-11	109152	. Fitting (iap)	1	All
ATTACHING PARTS				
-12	AN520-10-8	. . Screw	4	All
-13	AN960-10	. . Washer	4	All
-14	AN365-1032	. . Nut	4	All
-15	AN878-16-15	. Hose	1	All
-16	109002-14	. Tube Assembly - 1 in. O.D.	1	All
-16	ER819-16	. . Sleeve (The Weatherhead Co.)	1	All
-16	ER817-16D	. . Nut (The Weatherhead Co.)	1	All
-17	109150	. Valve Assembly - Engine oil shut off (See Fig. 249)	1	All
-18	AN878-12-12	. Hose - Oil tank drain	1	All
-19	AN842-12D	. Elbow	1	All
-20	K-2450B	. Valve - Drain (Koehler Aircraft Products Co.)	1	All
ATTACHING PARTS				
-21	AN503-10-8	. Screw	3	All
-22	ER823-12D	. Elbow (The Weatherhead Co.)	1	All
-23	109002-38	. Tube Assembly - Left oil tank 3/4 in. O.D. drain (L.H.)	1	All
	109002-13	. Tube Assembly - Right oil tank 3/4 in. O.D. drain (R.H.)	1	All
-23	ER819-12	. . Sleeve (The Weatherhead Co.)	1	All
-23	ER817-12D	. . Nut (The Weatherhead Co.)	1	All
-24	AN878-6-15	. Hose	1	All
-25	109002-39	. Tube Assembly - Left oil tank scupper drain 3/8 in. O.D. (L.H.)	1	All
	109002-41	. Tube Assembly - Right oil tank scupper drain 3/8 in. O.D. (R.H.)	1	All
-25	AN819-6	. . Sleeve	1	All

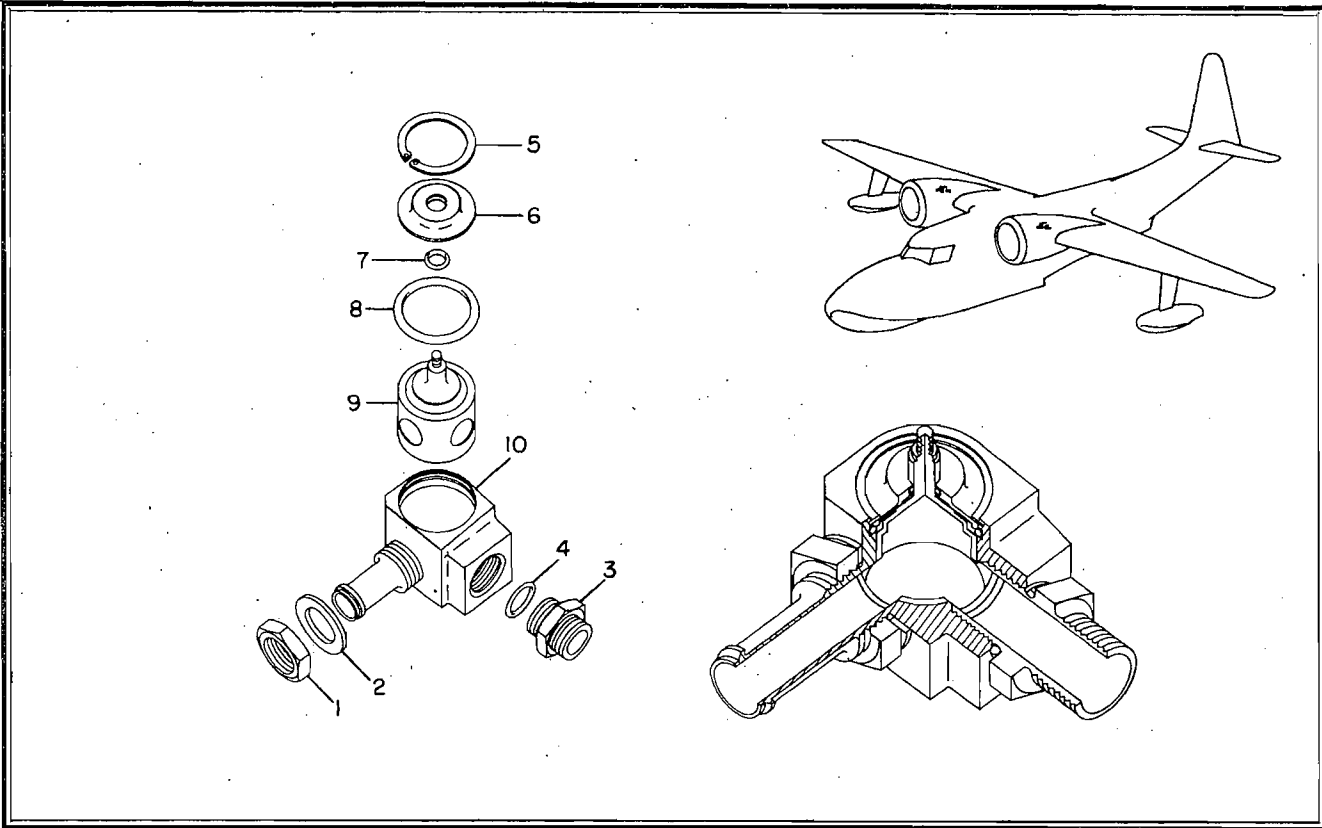


Figure 249—Engine Oil Shut Off Valve Assembly

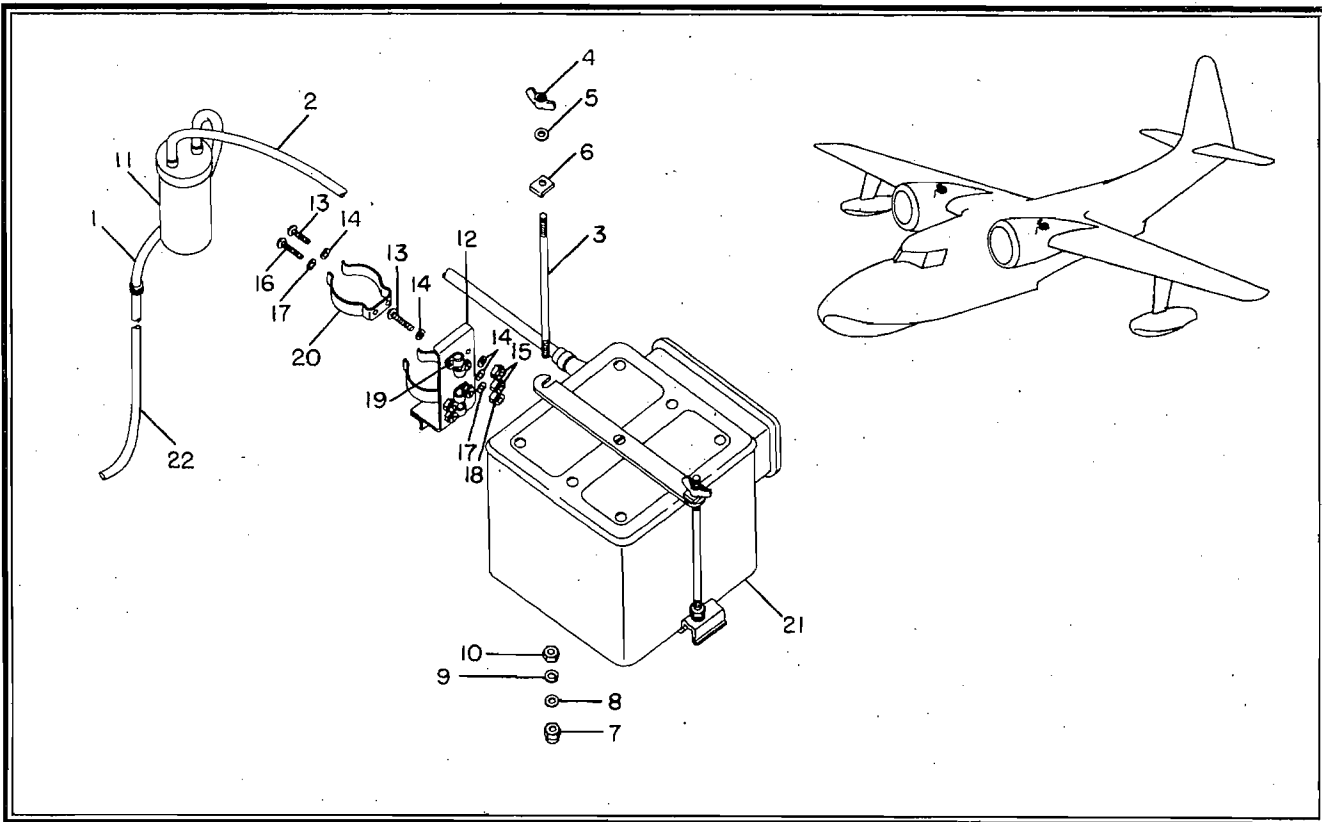


Figure 250—Battery Installation



Section II
Group Assembly Parts List

Figure & Index No.	Part No.	Nomenclature	Units Per Assy	Usage Code
		1 2 3 4 5 6 7		
POWER PLANT (Cont)				
Nacelle Afterbody Oil System Installation (Cont)				
248-25	AN818-6D	. . Nut	1	All
-26	AN926-6D	. Tee (L.H.)	1	All
-26	AN924-6D	. Nut (L.H.)	1	All
-26	AN960D916	. Washer (L.H.)	1	All
-26	AN832-6D	. Union (L.H.)	1	All
-26	AN815-6D	. Union (L.H.)	1	All
-26	AN824-6D	. Tee (R.H.)	1	All
-27	109002-44	. Tube Assembly - Left oil tank scupper drain 3/8 in. O.D. (L.H.)	1	All
	109002-40	. Tube Assembly - Right oil tank scupper drain 3/8 in. O.D. (R.H.)	1	All
-27	AN819-6	. . Sleeve	1	All
-27	AN818-6D	. . Nut	1	All

Engine Oil Shut Off Valve Assembly

249-	109150	. Valve Assembly - Engine oil shut off (See Fig. 248-17)	Ref	All
-1	AN924-16D	. . Nut	1	All
-2	AN960D2116	. . Washer	1	All
-3	ER815-16D	. . Union (The Weatherhead Co.)	1	All
-4	AN6227-18	. . Packing - "O" Ring	1	All
-5	NAS50-206	. . Ring - Retainer	1	All
-6	112666	. . Plate - Seal	1	All
-7	AN6227-10	. . Packing - "O" Ring	1	All
-8	AN6227-31	. . Packing - "O" Ring	1	All
-9	112657	. . Plunger	1	All
-10	112656	. . Body	1	All

Battery Installation

250-	106016	Battery Installation (Installed only in R.H. nacelle afterbody)	1	All
-1	3/8 O.D. x 3/32	. Tube - Jar to overboard flex (Length determined on installation) (Irvington Varnish & Insulator Co.)	1	All
-2	3/8 O.D. x 3/32	. Tube - Vent to jar flex (Length determined on installation) (Irvington Varnish & Insulator Co.)	1	All
-3	G119-110	. Rod - Battery hold down	2	All
ATTACHING PARTS				
-4	AN350-4	. Nut - Wing	1	All
-5	AN960D416	. Washer	1	All
-6	G118	. Washer	1	All
-7	AN365-428	. Nut	1	All
-8	AN960D416L	. Washer	1	All
-9	AN935-416	. Washer	1	All
-10	AN316-4R	. Nut	1	All
-11	99-128-25	. Jar - Battery acid sump (American Phenolic Corp.)	1	All

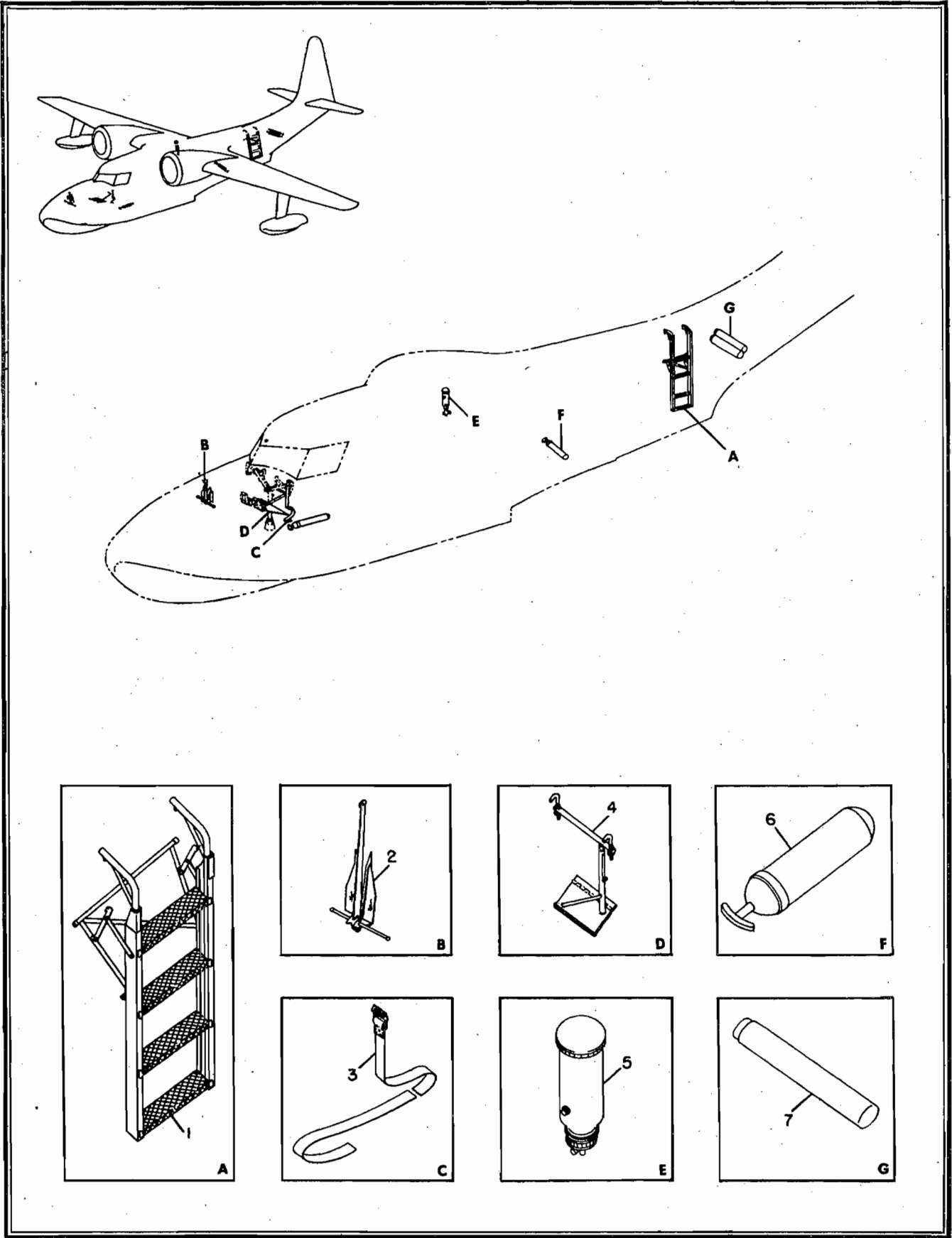


Figure 251—Loose Equipment



Section II
Group Assembly Parts List

Figure & Index No.	Part No.	Nomenclature 1 2 3 4 5 6 7	Units Per Assy	Usage Code
POWER PLANT (Cont)				
Battery Installation (Cont)				
250-12	106272-1	. Bracket Assembly (iap)	1	All
ATTACHING PARTS				
-13	AN520-10-9	. . Screw	4	All
-14	AN960D10	. . Washer	8	All
-15	AN365-1032	. . Nut	4	All
-16	AN520-10-10	. . Screw	2	All
-17	AN960D10	. . Washer	4	All
-18	AN365-1032	. . Nut	2	All
-19	AN742-4	. . Clamp	4	All
-20	G103-135	. . Spring	2	All
-21	12-TS-9L	. Battery (Electric Storage Battery Co.)	1	All
-22	3/8 O.D. x .032 x 5	. Tube - Drain	1	All

LOOSE EQUIPMENT

251-1	110542	Ladder Assembly - Boarding	1	All
-2	MK. 4	Anchor - 10 lbs. (Danforth Anchors)	1	All
-3	109300	Strap Assembly - Surface controls lock	1	All
-4	109475	Lock Assembly - Surface controls	1	ab
-5	110388	Bottle - Thermos	1	All
-6	C21P	Extinguisher - Pyrene airplane fire (Pyrene Manufacturing Co.)	2	All
-7	8-F	Flare (Air Associates, Inc.)	2	All

**SECTION III
SPECIAL TOOLS**

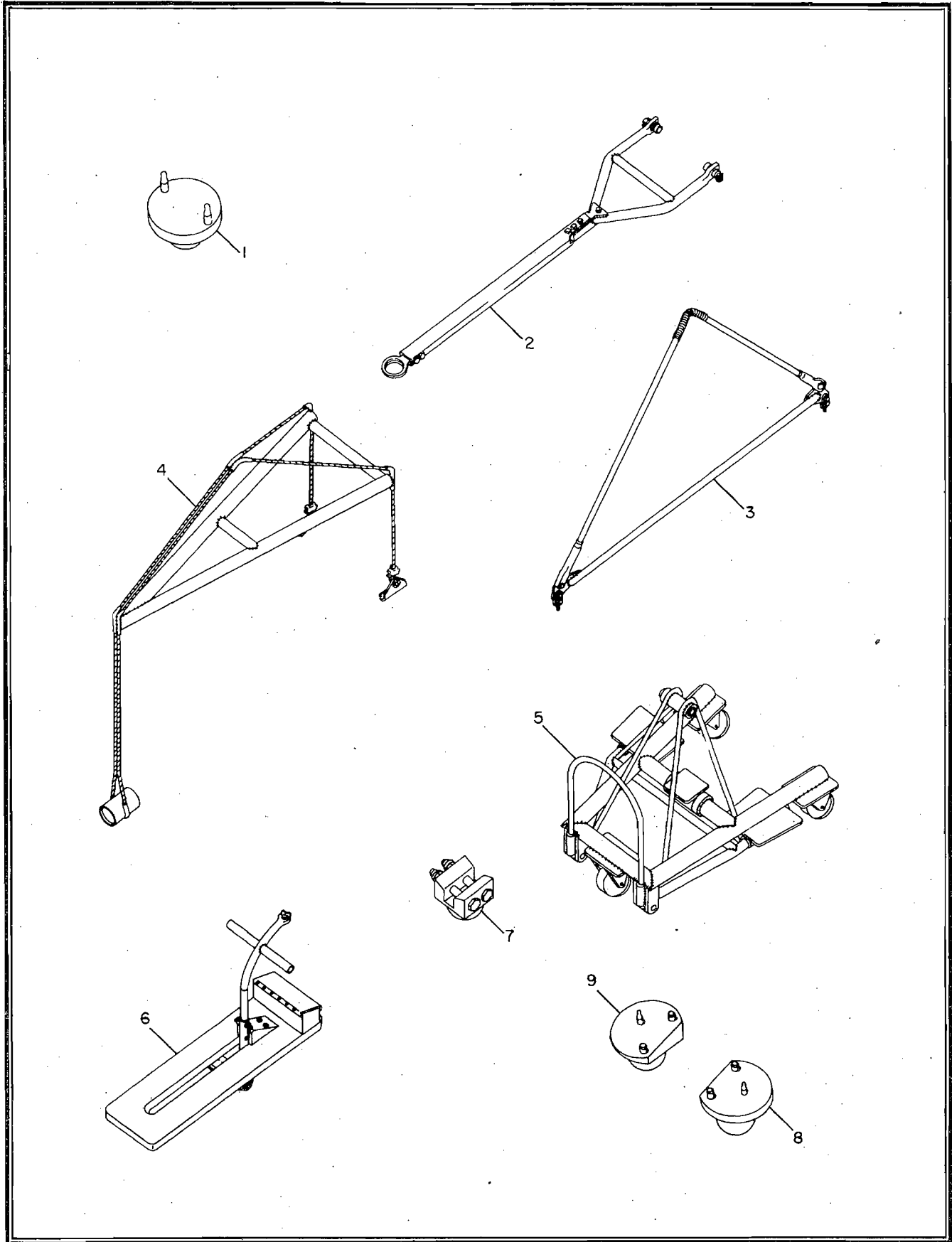


Figure 252—Ground Handling Equipment



Section III
Special Tools

Figure &
Index No.

Part No.

Nomenclature

1 2 3 4 5 6 7

Units Usage
Per Assy Code

SPECIAL TOOLS

Ground Handling Equipment

252-1	GT-74	Fitting - Wing jack point	2	All
-2	GT-420	Bar - Nose wheel towing and steering	1	All
-3	GT-421	Sling - Airplane hoisting	1	ab
-4	GT-422	Sling - Engine	1	ab
-5	GT-423	Dolly - Main wheel	1	ab
-6	GT-424	Platform - Engine work	1	ab
-7	GT-425	Pad - Hull Sta. 93 jack	1	All
-8	GT-426L	Pad - Hull Sta. 250 jack L.H.	1	All
-9	GT-426R	Pad - Hull Sta. 250 jack R.H.	1	All

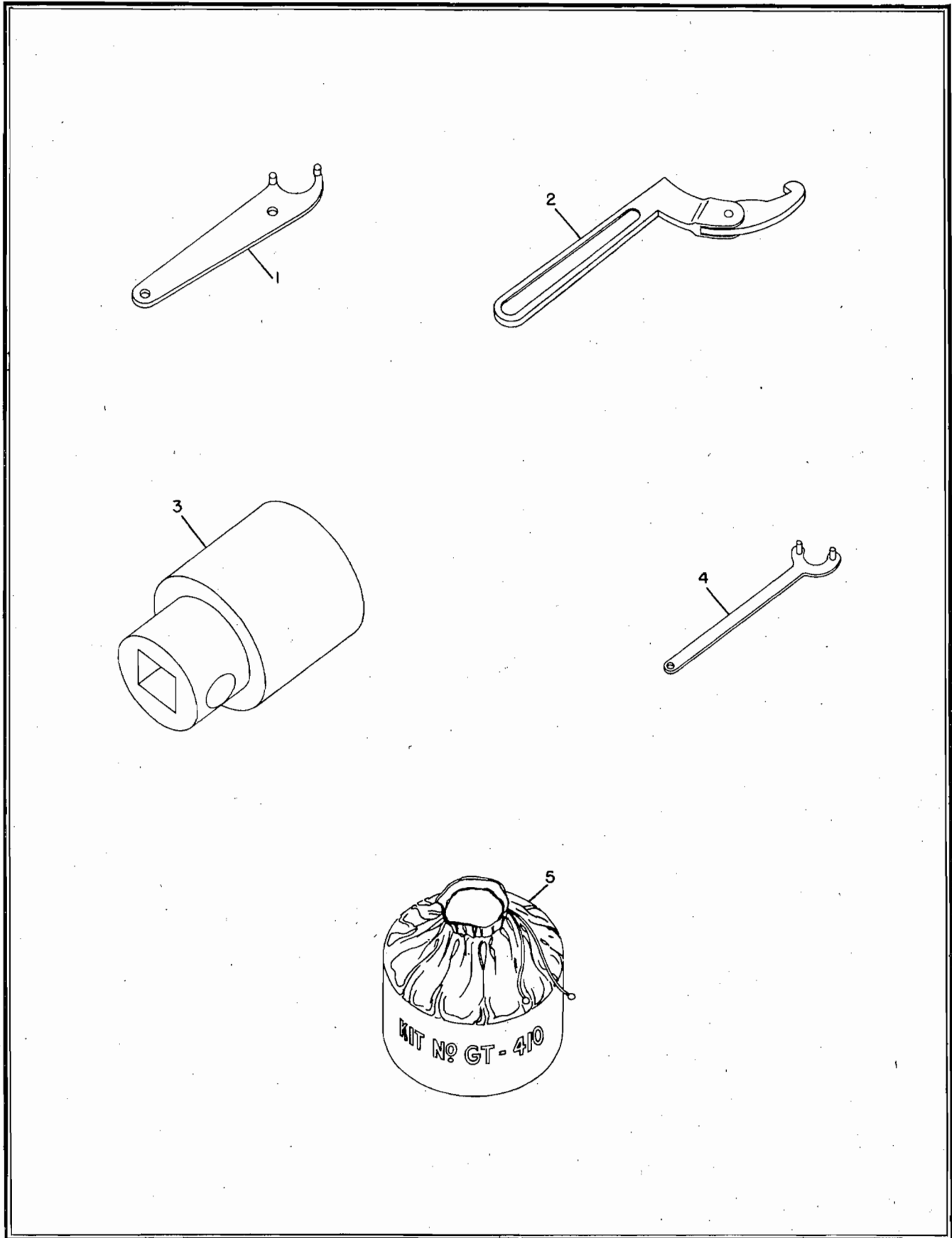


Figure 253—Hand Tools



Section III
Special Tools

Figure &
Index No.

Part No.

Nomenclature
1 2 3 4 5 6 7

Units Usage
Per Assy Code

SPECIAL TOOLS

Hand Tools

253-1	GT-103	Wrench - Hydraulic hand pump stuffing box spanner	1	All
-2	GT-407	Wrench - Main wheel and nose wheel shock strut bearing nut spanner	1	All
-3	GT-408	Socket - Main wheel axle nut	1	All
-4	GT-409	Wrench - Goodyear brake adjusting spanner	1	All
-5	GT-410-1	Bag - Special service tool	1	All



SECTION IV
NUMERICAL PARTS LIST

Section IV Numerical Parts List



Part No.	Fig. & Index No.	Part No.	Fig. & Index No.	Part No.	Fig. & Index No.	Part No.	Fig. & Index No.
Ball.....	209-24	AN23-26A.....	180-15	AN3051-4.....	237-33	AN385-440.....	8-34
Hose.....	209-57	AN23-28.....	145-22	AN3051-6.....	90-2	AN365-524.....	3-82
Lock Nut.....	147-5	AN23-28A.....	179-46	AN3054-12.....	237-24	AN365-624.....	3-96
Nut.....	160-1	AN23-29A.....	185-22	AN3054-16.....	238-27	AN365-820.....	8-28
	161-1	AN23-36A.....	73-22	AN3054-20.....	13-5	AN365-832.....	53-7
	167-40	AN23-38.....	192-30	AN3054-24.....	238-30	AN365D1032.....	145-20
	168-14	AN23-5.....	179-8	AN3054-3.....	234-3	AN366F428.....	5-19
Plug.....	149-22	AN23-8.....	4-16	AN3054-4.....	237-42	AN366F832.....	245-31
Screw.....	18-2	AN23-8A.....	66-7	AN3054-6.....	10-1	AN380-2-2.....	201-38
	18-14	AN23-9.....	24-19	AN3054-8.....	90-4	AN380-3-3.....	145-36
	125-24	AN23-9A.....	211-26	AN3061-8.....	238-101	AN380C2-1.....	32-13
	130-2	AN231-4.....	44-20	AN3064-10.....	238-99	AN380C2-2.....	4-14
	130-4	AN24-10.....	179-59	AN3064-12.....	110-42	AN380C2-3.....	22-5
	168-11	AN24-10A.....	50-25	AN3064-16.....	8-50	AN380C2-4.....	222-26
Tubing.....	149-19	AN24-11.....	188-10	AN3064-20.....	8-48	AN380C3-3.....	73-13
	151-26	AN24-11A.....	211-23	AN3064-3.....	237-81	AN380C3-4.....	65-13
	151-31	AN24-12A.....	32-2	AN3066-10.....	238-98	AN380C4-4.....	209-4
A-102975-561.....	155-10	AN24-14.....	70-12	AN3066-12.....	110-41	AN380C4-5.....	196-5
	156-10	AN24-14A.....	32-3	AN3066-16.....	8-49	AN381-2-8.....	201-15
A-1280.....	39-2	AN24-15.....	76-12	AN3066-20.....	8-47	AN381-3-12.....	201-8
A-10704.....	205-29	AN24-15A.....	232-27	AN3066-3.....	237-80	AN381-4-18.....	201-44
A-1281.....	38-2	AN24-16A.....	129-1	AN3066-8.....	238-100	AN393-7.....	22-3
A-12923.....	205-22	AN24-17.....	70-50	AN310-10.....	209-3	AN4-10.....	41-6
A-12993.....	205-33	AN24-17A.....	24-34	AN310-14.....	196-4	AN4-10A.....	2-24
A-1524.....	38-3	AN24-18.....	188-4	AN310-3.....	142-29	AN4-11.....	2-2
	39-3	AN24-18A.....	222-7	AN310-4.....	2-4	AN4-11A.....	2-14
A-1815.....	38-1	AN24-19.....	73-41	AN310-5.....	67-25	AN4-12.....	43-1
	39-1	AN24-19A.....	215-31	AN310-6.....	65-28	AN4-12A.....	2-15
A-2103-1.....	38-8	AN24-21A.....	70-26	AN310-7.....	218-3	AN4-13.....	2-6
	39-8	AN24-24A.....	215-34	AN310-9.....	209-7	AN4-13A.....	18-9
A-27988.....	155-7	AN24-30.....	208-3	AN3100-36-19P.....	8-4	AN4-14.....	201-21
A-3497-2.....	85-17	AN24-32.....	23-1	AN3106-10S-2S.....	109-2	AN4-14A.....	16-10
	86-10	AN24-32A.....	70-3	AN3106-12-5S.....	237-19	AN4-15.....	71-17
	103-11	AN24-55A.....	73-6	AN3106-12S-3S.....	38-16	AN4-15A.....	62-42
	104-3	AN25-31.....	70-45	AN3106-12S-4S.....	100-1	AN4-16.....	72-16
A-3585.....	99-2	AN2552-2.....	12-19	AN3106-14S-1S.....	110-4	AN4-16A.....	16-7
	105-2	AN26-18.....	65-15	AN3106-14S-2S.....	97-1	AN4-17A.....	35-5
A-3640.....	85-3	AN26-25.....	65-9	AN3106-14S-5S.....	9-13	AN4-20A.....	173-24
A-3675.....	86-17	AN26-32.....	188-17	AN3106-14S-6S.....	114-20	AN4-21A.....	55-47
A-4981.....	224-46	AN271B8.....	48-70	AN3106-16S-8P.....	238-20	AN4-22.....	79-1
AA-14007-B.....	16-36	AN28-54.....	203-8	AN3106-18-1S.....	110-8	AN4-22A.....	24-62
AC 56987-3.....	168-5	AN3-10.....	53-34	AN3106-18-5S.....	38-12	AN4-24.....	45-29
AC 57763-1.....	150-30	AN3-10A.....	53-89	AN3106-36-19S.....	237-12	AN4-24A.....	62-19
AC 63981-1.....	150-29	AN3-11A.....	6-11	AN3106-8S-1S.....	237-21	AN4-25.....	221-40
ADS-100N-P41.....	142-39	AN3-12.....	221-43	AN3108-12S-4S.....	234-4	AN4-25A.....	2-10
	143-31	AN3-12A.....	79-9	AN3115.....	37-1	AN4-26A.....	138-14
AD4.....	52-3	AN3-13A.....	64-27	AN3121-313.....	118-5	AN4-27A.....	16-22
	57-3	AN3-14A.....	27-5	AN3150.....	7-7	AN4-3.....	48-53
AN10-17.....	48-3	AN3-15.....	129-32	AN316-4R.....	69-17	AN4-30A.....	28-45
AN10-22.....	48-2	AN3-16A.....	16-34	AN316-5.....	69-26	AN4-32A.....	184-16
AN10-50.....	189-37	AN3-20A.....	144-12	AN316-5R.....	24-41	AN4-34.....	188-24
AN100-3.....	149-12	AN3-21.....	188-35	AN316-6R.....	23-7	AN4-34A.....	73-38
AN12-23.....	53-2	AN3-21A.....	144-18	AN316-8R.....	43-22	AN4-36.....	41-2
AN146-22S.....	185-11	AN3-22A.....	3-37	AN316-9R.....	191-9	AN4-37.....	201-10
AN155-32L.....	188-2	AN3-23A.....	60-16	AN3160-10L.....	114-10	AN4-37A.....	24-25
AN155-32S.....	14-5	AN3-24.....	68-41	AN3160-15L.....	115-10	AN4-4A.....	2-23
AN155-46S.....	67-29	AN3-24A.....	60-46	AN3160-5L.....	114-13	AN4-40.....	223-18
AN155-8S.....	24-5	AN3-25A.....	3-6	AN3160-50L.....	114-40	AN4-47A.....	228-6
AN161-8RS.....	68-9	AN3-27A.....	176-91	AN3161-P5.....	114-5	AN4-5.....	219-4
AN165-8S.....	173-12	AN3-3.....	137-23	AN32-64.....	201-40	AN4-5A.....	28-37
AN200KP4.....	50-12	AN3-36A.....	28-10	AN32-72.....	201-49	AN4-6.....	49-2
AN200KP5.....	5-25	AN3-4A.....	8-1	AN320-10.....	185-4	AN4-6A.....	2-19
AN200KP6.....	50-29	AN3-46A.....	176-18	AN320-12.....	201-43	AN4-60.....	70-59
AN200KS4.....	41-13	AN3-5.....	18-1	AN320-3.....	4-13	AN4-7.....	67-2
AN200KS5.....	66-12	AN3-5A.....	66-14	AN320-4.....	23-4	AN4-7A.....	16-52
AN200K4.....	41-10	AN3-6.....	4-33	AN320-5.....	70-48	AN4-8A.....	62-43
AN201KP4A.....	33-29	AN3-6A.....	53-27	AN320-6.....	65-12	AN4A-33.....	76-5
AN201K5A.....	70-55	AN3-7.....	149-45	AN320-8.....	203-9	AN42-12.....	221-22
AN201K8A.....	75-18	AN3-7A.....	3-55	AN3213-1.....	114-17	AN42-3.....	175-39
AN202K29B.....	73-20	AN3DD47A.....	145-16	AN3216-1.....	167-26	AN42-4A.....	67-41
AN207DP4.....	50-21	AN30-46.....	201-5	AN340-516.....	221-33	AN42-5.....	185-6
AN207D4.....	53-101	AN3021-7.....	115-43	AN340-6.....	13-57	AN43-10.....	72-23
AN210-1A.....	3-36	AN3021-7B.....	114-41	AN340-632.....	80-57	AN43-14.....	71-2
AN210-2A.....	3-5	AN3022-1.....	115-11	AN340-8.....	158-4	AN43-31.....	189-31
AN210-3A.....	5-20	AN3022-1B.....	114-11	AN340B516.....	12-18	AN45-21.....	205-39
AN210-4A.....	5-9	AN3022-2.....	115-17	AN345-10.....	8-38	AN486-2.....	180-2
AN210-5A.....	3-93	AN3022-2B.....	114-38	AN345-1032.....	114-32	AN486-4.....	205-52
AN210-6A.....	179-30	AN3022-8.....	91-1	AN350-4.....	250-4	AN5-10.....	67-21
AN23-10.....	24-15	AN3023-3.....	115-39	AN350-4W-8.....	242-6	AN5-11.....	221-35
AN23-10A.....	62-39	AN3023-3B.....	114-37	AN354-428.....	73-8	AN5-11A.....	183-17
AN23-11.....	185-2	AN3023-7.....	115-9	AN355-1.....	89-2	AN5-12.....	46-2
AN23-12.....	18-13	AN3023-7B.....	114-9	AN364-1032.....	24-33	AN5-13.....	46-3
AN23-12A.....	151-35	AN3023-8.....	115-7	AN364-428.....	19-1	AN5-15.....	18-4
AN23-14.....	205-56	AN3023-8B.....	114-7	AN364-524.....	75-11	AN5-16A.....	183-16
AN23-14A.....	24-30	AN3028-3.....	117-3	AN364-624.....	188-18	AN5-17A.....	205-34
AN23-15A.....	215-8	AN3034-1.....	85-22	AN364-832.....	147-24	AN5-21.....	222-24
AN23-17.....	4-10	AN3034-2.....	118-4	AN365-1018.....	48-5	AN5-22.....	205-40
AN23-17A.....	232-23	AN3050-3.....	234-2	AN365-1032.....	3-9	AN5-23A.....	3-80
AN23-20.....	145-45	AN3050-4.....	237-36	AN365-1216.....	53-4		
AN23-20A.....	62-45	AN3050-6.....	10-2	AN365-428.....	2-9		



Section IV Numerical Parts List

Part No.	Fig. & Index No.	Part No.	Fig. & Index No.	Part No.	Fig. & Index No.	Part No.	Fig. & Index No.
AN5-25.....	201-27	AN520-10-8.....	9-23	AN6246-36.....	204-7	AN819-8Z.....	15-171
AN5-27.....	176-98	AN520-10-9.....	250-13	AN6260-4-22 1/2.....	172-10	AN820-4.....	134-136
AN5-33.....	215-75	AN520-416-10.....	9-19	AN6260-4-34.....	192-3	AN820-4D.....	178-9
AN5-35.....	73-53	AN520-416-12.....	8-18	AN6260-4-44.....	192-2	AN820-8.....	171-2
AN5-5.....	73-49	AN520-6-4.....	35-2	AN6260-4-50.....	192-5	AN820-8D.....	191-18
AN5-55.....	49-5	AN525-10-8.....	3-46	AN6260-6-12 1/2.....	133-6	AN821-4D.....	35-10
AN5-6A.....	184-21	AN525-1032-8.....	129-28	AN6260-6-16.....	192-1	AN822-12D.....	228-3
AN5-7.....	205-23	AN526-1032-10.....	130-11	AN6264-4-21.....	15-152	AN822-16D.....	28-34
AN5-7A.....	208-8	AN526-1032-14.....	138-2	AN6264-4-23.....	15-160	AN822-4.....	142-59
AN500-2-4.....	79-15	AN526-1032-5.....	136-11	AN6264-4-27.....	15-132	AN822-4D.....	27-1
AN500-4-8.....	79-24	AN526-1032-6.....	74-2	AN6264-8D-18.....	241-3	AN822-6D.....	175-44
AN501A10-12.....	149-4	AN526-1032-7.....	78-30	AN6270-4-11.....	175-51	AN822-8D.....	175-11
AN502-10-10.....	149-4	AN526-1032-8.....	61-14	AN6270-4-16.....	134-129	AN823-10D.....	230-2
AN502-10-14.....	210-13	AN526-6-14.....	168-20	AN6270-4-16 1/2.....	134-165	AN823-4.....	242-8
AN502-10-4.....	197-4	AN526-6-5.....	150-21	AN6270-6-12.....	175-48	AN823-4D.....	144-36
AN502-10-6.....	18-20	AN526-6-8.....	59-30	AN6270-6-16.....	175-45	AN824-4D.....	27-12
AN502-416-6.....	131-7	AN526-632-4.....	78-7	AN6274-4-15 1/2.....	134-99	AN824-6D.....	248-26
AN503-10-6.....	142-3	AN526-632-8.....	22-10	AN6274-4-48.....	192-4	AN824-8D.....	15-28
AN503-10-8.....	248-21	AN526-632-9.....	148-17	AN667-2.....	173-46	AN825-4D.....	142-67
AN503-416-10.....	49-48	AN526-8-8.....	146-21	AN667-5.....	67-5	AN825-8D.....	28-31
AN503-416-8.....	144-8	AN526-832-12.....	168-2	AN667-6.....	67-27	AN826-4D.....	144-24
AN505-4-16.....	79-20	AN526-832-16.....	176-7	AN668-2.....	24-2	AN827-4D.....	133-123
AN505-4-5.....	114-23	AN526-832-7.....	210-4	AN668-5.....	14-2	AN832-10D.....	247-7
AN505-4-6.....	114-27	AN526-832-8.....	5-42	AN669S2LH.....	24-6	AN832-4.....	15-153
AN505-4-8.....	150-16	AN530-4-4.....	146-18	AN669S2RH.....	24-4	AN832-4D.....	15-9
AN505-6-10.....	114-19	AN530-4-6.....	49-32	AN669S4LH.....	183-5	AN832-6D.....	15-13
AN505-6-12.....	86-4	AN530-6-4.....	85-18	AN669S5LH.....	14-6	AN832-8.....	15-31
AN505-6-16.....	166-13	AN530-6-6.....	85-12	AN669S5RH.....	14-4	AN832-8D.....	15-33
AN505-6-3.....	127-6	AN530-6-8.....	223-2	AN669S6LH.....	67-28	AN833-12D.....	25-12
AN505-6-4.....	166-3	AN530-8-6.....	70-24	AN669S6RH.....	67-30	AN833-4.....	15-133
AN505-6-5.....	129-20	AN530-8-8.....	147-71	AN7-51.....	218-1	AN833-4D.....	15-126
AN505-6-7.....	114-7	AN545-4-3.....	126-6	AN73-12.....	176-3	AN833-6D.....	133-109
AN505-6-6.....	121-53	AN545-6-6.....	125-21	AN74-10.....	176-85	AN833-8D.....	15-18
AN505-6-8.....	99-3	AN545-8-4.....	127-16	AN740T16.....	224-5	AN834-4D.....	15-96
AN505-6R6.....	49-40	AN550-4-4.....	148-5	AN741-20.....	142-16	AN834-6D.....	133-49
AN505-632-6.....	128-2	AN550-6-6.....	126-9	AN742-4.....	250-19	AN834-8D.....	15-78
AN505-8-10.....	103-9	AN550-8-6.....	127-18	AN748-34.....	170-10	AN837-4D.....	15-118
AN505-8-12.....	191-5	AN5735-1a.....	177-10	AN75A-4.....	222-21	AN837-6D.....	15-17
AN505-8-14.....	145-2	AN5736-1a.....	177-11	AN753-1.....	83-5	AN837-8D.....	171-2
AN505-8-20.....	168-7	AN5741-1.....	177-13	AN753-3.....	109-1	AN840-6D.....	226-49
AN505-8-7.....	245-16	AN5771-4A.....	133-144	AN753A1.....	83-6	AN842-10D.....	25-62
AN505-8-8.....	114-2	AN5780-2.....	177-4	AN753B1.....	162-8	AN842-12D.....	227-24
AN505B2-4.....	88-4	AN5785-1.....	21-9	AN76A5.....	28-40	AN842-8D.....	226-52
AN510-10-10.....	137-5	AN6-10.....	227-20	AN775-4.....	15-131	AN844-10D.....	25-64
AN510-10-18.....	114-29	AN6-11.....	227-17	AN775-6.....	194-16	AN844-12D.....	231-16
AN510-10-7.....	201-46	AN6-12.....	3-94	AN775-8D.....	16-18	AN848-12D.....	248-3
AN510-10-8.....	186-25	AN6-13.....	197-6	AN776-4.....	15-131	AN856-4-11.....	178-47
AN515-10-14.....	120-17	AN6-14.....	64-32	AN776-4D.....	16-45	AN856-4-16 1/2.....	174-34
AN515-4-12.....	157-17	AN6-16.....	243-10	AN776-6D.....	194-9	AN856-4-22 1/2.....	174-10
AN515-4-5.....	8-32	AN6-17.....	54-5	AN776-8D.....	16-20	AN856-4A.....	181-4
AN515-4-6.....	80-47	AN6-20.....	49-8	AN777-4.....	193-4	AN878-10-12.....	25-61
AN515-4-7.....	153-10	AN6-22.....	65-25	AN777-4D.....	16-44	AN878-10-15.....	25-55
AN515-4-8.....	168-24	AN6-25.....	66-23	AN777-6D.....	209-11	AN878-10-32.....	25-63
AN515-5-4.....	120-69	AN6-31.....	65-31	AN778-4D.....	193-15	AN878-12-12.....	248-1
AN515-6-10.....	98-2	AN6-50.....	218-5	AN8-13.....	53-5	AN878-12-15.....	147-1
AN515-6-12.....	48-68	AN6207-4.....	42-3	AN8008D30.....	186-30	AN878-16-12.....	248-10
AN515-6-14.....	13-54	AN6207-6.....	15-54	AN8013D1.....	177-23	AN878-16-15.....	247-9
AN515-6-16.....	12-50	AN6226-2.....	17-36	AN809-1.....	202-9	AN878-16-16.....	147-2
AN515-6-18.....	157-20	AN6227-10.....	15-30	AN812-1.....	202-8	AN878-16-36.....	147-4
AN515-6-20.....	167-27	AN6227-11.....	17-24	AN813-1.....	202-7	AN878-20-15.....	247-3
AN515-6-28.....	8-26	AN6227-12.....	209-35	AN815-4.....	58-29	AN878-6-15.....	148-24
AN515-6-32.....	167-19	AN6227-14.....	19-10	AN815-4D.....	15-81	AN894D20-16.....	28-43
AN515-6-4.....	83-2	AN6227-15.....	17-7	AN815-6D.....	15-15	AN9-36.....	209-5
AN515-6-5.....	200-2	AN6227-17.....	23-9	AN815-8D.....	15-30	AN900-10.....	221-51
AN515-6-6.....	12-59	AN6227-18.....	249-4	AN816-16-12.....	229-4	AN901-10C.....	247-7
AN515-6-7.....	88-1	AN6227-19.....	188-16	AN816-16D.....	28-33	AN901-12C.....	25-30
AN515-6-8.....	11-1	AN6227-2.....	139-8	AN816-2D.....	181-3	AN901-16C.....	28-14
AN515-8-10.....	8-14	AN6227-20.....	16-39	AN816-4.....	229-3	AN901-3A.....	17-30
AN515-8-12.....	53-57	AN6227-23.....	43-15	AN816-4D.....	142-53	AN901-4A.....	181-5
AN515-8-14.....	120-82	AN6227-28.....	194-26	AN816-6D.....	175-46	AN901-4C.....	15-131
AN515-8-16.....	175-35	AN6227-29.....	209-38	AN816-7.....	140-30	AN901-5C.....	202-10
AN515-8-18.....	166-6	AN6227-3.....	193-12	AN817-16D.....	225-16	AN901-6A.....	17-11
AN515-8-20.....	126-27	AN6227-31.....	249-8	AN817-4D.....	35-8	AN901-6C.....	133-27
AN515-8-6.....	48-27	AN6227-33.....	209-28	AN817-8D.....	16-59	AN901-8C.....	16-19
AN515-8-7.....	63-71	AN6227-36.....	204-8	AN818-12D.....	25-11	AN911-1D.....	175-52
AN515-8-8.....	4-37	AN6227-38.....	204-5	AN818-16D.....	28-21	AN911-3D.....	175-32
AN515B516-24.....	12-15	AN6227-4.....	139-9	AN818-4.....	58-30	AN912-1.....	140-36
AN515B8-6.....	170-18	AN6227-5.....	19-8	AN818-4D.....	15-168	AN912-1D.....	175-55
AN515DD6-8.....	181-25	AN6227-6.....	15-81	AN818-6D.....	15-170	AN912-1S.....	143-34
AN520-10-10.....	64-19	AN6227-7.....	15-7	AN818-8.....	140-28	AN912-12D.....	28-32
AN520-10-12.....	61-15	AN6227-8.....	17-16	AN818-8D.....	15-172	AN912-7D.....	227-26
AN520-10-14.....	13-23	AN6227-9.....	23-12	AN819-12D.....	25-11	AN913-1.....	218-19
AN520-10-16.....	5-14	AN6230-3.....	208-25	AN819-16D.....	28-21	AN913-1D.....	144-49
AN520-10-18.....	221-55	AN6231-1.....	23-11	AN819-4.....	26-7	AN913-4D.....	25-65
AN520-10-20.....	8-36	AN6231-13.....	209-31	AN819-4D.....	181-7	AN914-4D.....	226-25
AN520-10-40.....	68-36	AN6231-5.....	191-11	AN819-4Z.....	15-167	AN915-6D.....	231-15
AN520-10-44.....	46-31	AN6231-9.....	194-24	AN819-6.....	248-25	AN917-3D.....	175-16
AN520-10-5.....	62-57	AN6234-1.....	133-120	AN819-6Z.....	15-169	AN918-8D.....	28-35
AN520-10-6.....	136-2	AN6234-3.....	16-21	AN819-8.....	16-60	AN919-10D.....	15-81
AN520-10-7.....	68-11	AN6246-17.....	191-14	AN819-8D.....	16-60	AN919-12D.....	15-20

Section IV
Numerical Parts List



Part No.	Fig. & Index No.	Part No.	Fig. & Index No.	Part No.	Fig. & Index No.	Part No.	Fig. & Index No.
AN919-4D	135-8	AN960D416	2-3	CR2791-B109F3	155-11	ER819-16	28-13
AN919-6D	15-7	AN960D416L	2-7	CR2791-B109R3	120-53		28-15
AN921-4D	134-16	AN960D516	3-81		120-54		28-17
AN924-10D	247-7	AN960D516L	46-4		120-55		28-20
AN924-12D	25-16	AN960D6	12-33		120-56		28-26
AN924-16	28-14	AN960D6L	8-27		121-55		28-52
AN924-16D	249-1	AN960D616	28-41		121-56		28-54
AN924-4	15-133	AN960D616L	3-95	CR2791-B110F3	167-23		248-16
AN924-4D	15-9	AN960D716	15-9	CR2927-D100-119	143-2	ER819-4	137-13
AN924-6C	133-52	AN960D8	4-38	CR2927-D100-120	143-3		137-15
AN924-6D	15-13	AN960D8L	9-17	CYLZ-2343	120-5		137-16
AN924-8	15-31	AN960D816	20-2		121-5		137-17
AN924-8D	15-18	AN960D816L	66-25	C169 #6	125-16		137-19
AN925-4D	133-20	AN960D916	15-13		125-20		137-20
AN925-6D	133-54	AN970-4	4-28	C201449-1	168-12	ER819-8	16-60
AN926-4D	15-81	AN970-5	176-37	C21P	251-6		240-2
AN926-6D	15-54	APX-5	83-1	C218146-3	168-15	ER821-16D	28-18
AN926-8D	15-39	AV-2	226-23	C2851-167	107-1		28-51
AN931-11-16	165-3		231-11		107-5	ER822-12D	25-26
AN931-12-17	238-29	AV-6.5-8400-0	142-22	D-3540	111-1		25-39
AN931-14-20	238-36		143-14		85-9	ER823-10D	25-58
AN931-16-22	238-32	AW4-25	142-33	DC6751-1-10	86-3	ER823-12D	248-22
AN931-2-9	87-1		143-25	DC6751-1-20	155-9	ER824-4D	137-14
AN931-3-5	104-9	AW4-30	124-6	DJ12	155-8		137-18
AN931-3-9	83-7	AYLF-2199-1	80-66		114-19	ER832-12D	25-30
AN931-35	85-27	AYLF-2242	80-65		114-21	ER832-16	28-14
AN931-4-16	109-10		146-25	D357	137-22	ER832-4D	141-7
AN931-4-7	81-6	AYLF-2336	147-66	D6751-1-10	156-8	ER832-6D	133-9
AN931-5-9	170-25	A100517	80-64		157-6		133-45
AN931-8-13	111-10		162-1	D6751-1-25	157-5	ER833-8D	16-14
AN931-9-13	155-15	A100667	166-36	D6751-1-5	87-2		16-28
AN935-10	8-40		162-2		114-42		17-1
AN935-2	79-16	A108885	166-41	D71	115-44	ER834-8D	16-30
AN935-4L	168-18		155-14		157-7		17-12
AN935-416	250-9	A120195	156-14		149-14	ER919-4D	135-8
AN935-5	120-69	A120196-1	166-28		151-10	EY35RH	66-39
AN935-516	12-17		150-11	ER776-4D	152-7		66-46
AN935-6	83-4	A120196-2	166-30		43-8		183-11
AN935-6L	35-3		150-13	ER776-8D	135-7		184-12
AN935-8	151-41	A120196-3	166-32		137-25	E73	8-7
AN935B416	149-24		150-12		16-20		9-7
AN936A616	168-13	A140-2	166-31	ER777-4D	16-48		12-12
AN936C6	85-11		162-3	ER815-16D	137-26	FA5-35	4-51
AN940-516	136-15	A29734-1	166-42		28-16		245-5
AN960-10	9-40		162-4		28-53		245-8
AN960-10L	24-16	A3701	166-40	ER815-4D	249-3		245-13
AN960-1016	48-4		89-5		137-12		245-18
AN960-1216	53-3	A9320-4	150-14	ER815-8D	137-21		245-18
AN960-1416	196-2		166-29	ER816-12D	16-26		245-23
AN960-416	24-58	B-2A	120-61		25-2		246-5
AN960-416L	50-26		121-57		25-8	FA5-40	214-8
AN960-416T	76-6	D-3545	103-8	ER816-8	240-3		214-12
AN960-516	49-6	B-3550	85-6	ER817-10D	25-57		214-17
AN960-516L	73-50		89-3	ER817-12D	25-3		214-22
AN960-6	13-56		103-2		25-10	FA5-45	214-7
AN960-6L	49-41		114-6		25-20		214-14
AN960-616	49-9	B-3660	103-17		25-29		214-19
AN960-716	15-133		104-11		25-31		214-24
AN960-8	48-37	B-36690	224-54		25-33	FA5-50	214-9
AN960-8L	214-30	BC4W10	24-47		25-42		214-13
AN960-816	53-6		24-60		25-43		214-18
AN960-816L	75-28		24-66	ER817-16	25-44	FA6 1/2-45	214-23
AN960A10	4-34		24-72		248-23		245-5
AN960A10L	60-17	BC4W9	221-30	ER817-16D	28-13		245-13
AN960A4L	130-5		24-52		28-15		245-18
AN960A416	62-46		69-33		28-17		245-23
AN960A416L	19-2	BC5W10	78-37		28-20	FA6 1/2-50	214-8
AN960A516	183-19		215-79		28-26		214-12
AN960A516L	18-5	BT 1/2	167-30		28-52		214-17
AN960A6	22-11		167-31		28-54		214-22
AN960A6L	118-9	B0-15-D35	120-60		248-16	FA6 1/2-55	214-7
AN960A8L	147-22		121-58	ER817-4D	137-13		214-14
AN960B416	149-25		84-1		137-15		214-19
AN960B516	13-18	B2930-A-1	84-4		137-16		214-24
AN960C10	210-14		84-16		137-17		214-9
AN960C416	72-17	B5 4420	144-16		137-19	FA6 1/2-60	214-13
AN960C516L	205-41	B78X	73-62		137-20		214-18
AN960C6	86-8		73-64		240-2		214-23
AN960C716	84-60	B8	183-14	ER817-8	16-59	FL3C6	53-33
AN960C8	210-27		237-68	ER817-8D	25-57	FSSC88-C-200	177-19
AN960D10	3-8		238-73	ER819-10	25-3	F26	114-48
AN960D10L	3-7	CA275X	109-6		25-10		115-49
AN960D1016	221-48		237-64		25-20		119-23
AN960D1016L	221-50	CM-008-4 1/2 CC25	238-69		25-29		149-21
AN960D1216	15-18		143-1		25-31		237-27
AN960D1216L	201-41	CR2791-B100F3	156-11		25-33	F71	149-17
AN960D1716	25-15	CR2791-B109A3	120-51		25-42	F72	237-28
AN960D2116	249-2		120-52		25-43	F73	8-8
AN960D4	79-21		121-53		25-44		9-8
AN960D4L	8-33		121-54		248-23		12-13



Section IV
Numerical Parts List

Part No.	Fig. & Index No.	Part No.	Fig. & Index No.	Part No.	Fig. & Index No.	Part No.	Fig. & Index No.
F73 (cont)	13-15	G119-110	250-3	G27-12-20	53-10	G5-3-224	176-23
GA4-250	238-43	G121L	243-13	G27-12-24	209-53	G5-3-36	176-21
GB-2212	124-7	G121R	243-6	G27-14-32	196-17	G5-3-38	188-38
GF5-175	70-37	G122	243-8	G27-5-8	195-24	G5-3-48	129-37
	4-52	G138-1	244-2	G27-6-10	194-35	G5-3-58	129-35
	245-6	G141-5-10-3/8	200-5	G27-7-4	129-6	G5-3-9	176-57
	245-9	G153-32-2	120-80	G27-8-7	53-14	G5-4-14	176-86
	245-14	G153-41-2	80-53	G3-3-14	34-2	G5-4-23	223-20
	245-19	G153-46-4	121-70	G3-3-17	34-3	G5-4-24	70-27
	245-24	G153-50-4	110-34	G3-3-22	34-4	G5-4-50	179-65
	246-6	G153-51-2	13-59	G3-5-10	5-27	G5-4-56	23-3
GF5-225	214-10	G153-59-1	238-97	G3-5-11	5-28	G5-4-8	72-18
	214-15	G153-65-4	121-79	G300	216-18	G5-4-9	173-32
	214-20	G153-79-2	120-48	G301	40-1	G5-5-10	176-45
	214-25	G154-A10	13-49	G311-.032	48-17	G5-5-138	176-41
GF5-250	214-20	G154-A16	120-38	G319-18	17-9	G5-5-140	176-101
GF6 1/2-218	245-6	G154-A6	120-71	G319-7	17-27	G5-5-148	176-36
	245-14	G154-A8	80-46	G319-8	209-40	G5-5-16	176-43
	245-19	G154-B10	121-62	G325-20	205-44	G5-5-23	176-47
	245-24	G154-B11	110-30	G325-20B	188-15	G5-5-30	176-34
GF6 1/2-250	214-10	G154-B13	238-86	G332-1	69-27	G5-5-36	176-30
	214-15	G154-B14	121-71	G332-1P	221-13	G5-5-9	176-100
	214-25	G155-H14-72	196-1	G332-1P	232-35	G5-6-160	66-26
GK-C8-23-1/2B	162-6	G155-H6-14	196-6	G338-3	24-31	G5-8-14	221-18
	165-1	G157-6-12	13-53	G338-4	24-35	G5-8-24	168-8
GK-12-21-1/2B	166-21	G158-1	80-59	G355-1	38-17	G65-5-16	129-37
GSR326-1	2-	G158-1-6	8-30	G355-2	8-16	G68-17	188-36
GSR327-1	2-1	G158-2-6	9-42	G355-3	38-13	G68-2	205-49
GSR328-1L	31-1	G158-2-8	238-80	G355-4	8-9	G72	218-16
GSR328-1R	31-1	G159-A10-12	8-43	G355-5	8-6	G74-6-KS4	70-42
GSR329-1L	32-	G159-A12-12	123-3	G355-5A	8-5	G75-KS4	41-12
GSR329-1R	32-	G159-A12-17	159-6	G359	128-4	G81-8-20-0	242-10
GSR330-1L	214-1	G159-A12-18	159-12	G371-36	209-25	G92-10	59-4
GSR330-1R	214-2	G159-A15-12	120-26	G376-5	32-12	G92-12	126-2
GSR331-1	58-	G159-A16-12	120-32	G377-.032	32-14	G92-6	59-5
GSR332-1	58-1	G159-A17-12	158-8	G377-.040	32-17	G92-7	214-27
GT-103	253-1	G159-A18-12	158-13	G377-.051	32-11	G92-8	150-5
GT-407	253-2	G159-A19-12	119-8	G383-6-10	125-15	G92-9	150-6
GT-408	253-3	G159-A2-12	80-60	G383-6-12	127-7	G93-10	59-12
GT-409	253-4	G159-A20-12	119-14	G383-6-8	125-14	G93-12	59-13
GT-410-1	253-5	G159-A4-4	168-23	G383-632-8	129-15	G93-14	59-17
GT-420	252-2	G159-A6-12	13-44	G383-8-8	128-9	G93-16	59-42
GT-421	252-3	G159-A9-12	8-31	G383-832-8	129-11	G93-7	59-2
GT-422	252-4	G159-B11-12	110-19	G384-4-2	129-18	G93-8	59-11
GT-423	252-5	G159-B12-12	9-43	G384-4-3	148-14	G93-9	6-4
GT-424	252-6	G159-B13-12	156-17	G39-2	209-26	G94-12	58-7
GT-425	252-7	G159-B5-12	114-24	G39-3	188-28	G94-15	58-12
GT-426L	252-8	G159-B7-12	166-14	G5-D2-102	8-29	G94-16	58-6
GT-426R	252-9	G159-B8-12	110-14	G5-D3-124	176-15	H-5006	218-9
GT-74	252-1	G159-C12-12	237-74	G5-D3-150	3-42	I-5145	205-37
G101-108	138-12	G159-C2-12	113-5	G5-D3-160	67-55	I-8383	205-30
G101-115	19-6	G159-C5-12	110-25	G5-D3-163	68-38	J-72	120-13
G101-117	17-20	G159-6-16	155-17	G5-D3-17	68-44		121-13
G101-118	17-42	G160-2R-16 1/2	243-2	C5-D3-19	3-29		9-12
G101-119	17-8	G160-2R-5	243-16	G5-D3-200	77-16		11-9
G101-12	187-17	G164-A2	8-35	G5-D3-206	3-35		12-5
G101-125	131-4	G165-16-2	8-41	G5-D3-208	176-16		13-7
G101-199	209-23	G166-1-10	119-18	G5-D3-209	48-30		120-15
G101-200	209-29	G166-2-10	114-25	G5-D3-24	144-14		121-15
G101-201	209-50	G168-A5-12	119-19	G5-D3-27	176-14		238-39
G101-202	209-49	G168-B4-12	114-26	G5-D3-31	53-88	J2-73	8-12
G101-203	139-3	G169-10T	73-27	G5-D3-32	5-13		120-14
G101-204	195-15	G169-8	146-22	G5-D3-33	60-48		121-14
G101-205	194-21	G176-6Z	107-8	G5-D3-35	145-19	K-2450B	248-20
G101-215	191-16	G183	244-8	G5-D3-36	144-20	K-4	72-42
G101-222	170-22	G189	8-52	G5-D3-37	77-26	KA6	48-65
G101-228	129-44	G19-4-14	70-74	G5-D3-38	3-11		53-61
G101-234	187-13	G19-5-21	75-8	G5-D3-39	3-10		53-67
G101-246	179-67	G19-5-22	67-61	G5-D3-49	60-18	KS3L	215-13
G101-251	73-34	G199-3	226-37	G5-D3-53	77-28	K1700B-1	25-74
G101-40	145-94	G20-6-16	129-37	G5-D3-58	3-30		228-4
G101-42	188-41	G21-25	170-9	G5-D4-12	215-38	K3L	18-12
G101-45	136-6	G22-5-32	33-13	G5-D4-124	167-17	K4	71-12
G101-57	73-29	G25-H10-212	189-38	G5-D4-125	228-8	KA	79-27
G102-118	221-21	G25-H14-400	196-3	G5-D4-20	24-64		79-30
G102-119	221-26	G25-H4-6	129-2	G5-D4-28	24-56	MC2711	167-26
G102-120	71-1	G25-H4-7	205-5	G5-D4-32	215-38	MK-4	251-2
G102-121	67-40	G25-H4-8	205-61	G5-D4-40	16-12	MN-26K	150-1
G102-34	137-11	G25-H4-9	205-27	G5-D4-8	135-4	MN-31C	149-22
G102-4	70-22	G25-H5-106	189-19	G5-D4-80	24-65	MN-37D	150-20
G102-7	170-3	G25-H5-8	221-38	G5-2-8	179-69	MN-53A	149-47
G103-110	70-36	G25-H5-9	195-3	G5-3-10	176-55	MN36C	149-3
G103-115	92-7	G25-H6-12	196-7	G5-3-102	176-65	MN54A	149-1
G103-118	74-13	G25-H9-209	209-6	G5-3-108	176-22	MR16C	153-4
G103-121	136-3	G26-M4-3	58-25	G5-3-116	176-56		154-4
G103-135	250-20	G26M-4-8	43-14	G5-3-140	176-93	MR-16D	166-2
G104-20	221-60	G27-10-13	48-22	G5-3-159	176-62	MR-35A	155-3
G104A2CA3	144-17	G27-10-16	48-19	G5-3-16	114-44		156-4
G113-8	148-18	G27-10-20	5-35	G5-3-162	192-31	MR-39D	150-26
G118	250-6	G27-12-16	64-36	G5-3-19	179-4	MR-64A	149-48

Section IV
Numerical Parts List



Part No.	Fig. & Index No.	Part No.	Fig. & Index No.	Part No.	Fig. & Index No.	Part No.	Fig. & Index No.
MR-8E.....	150-25	RE4F5 (cont).....	69-18	YPV25-2.....	152-16	106081-1L.....	34-7
MS-120A.....	150-4		215-39	YZV-7RNTN-4.....	81-1	106081-1R.....	34-7
MS-121A.....	160-3		221-10		82-1	106081-2L.....	34-8
MS-131A.....	161-3		222-1		92-4	106081-2R.....	34-8
MT-19A.....	168-1		222-11		93-1	106081-3L.....	34-9
MT-42B.....	149-27		232-12		94-4	106081-3R.....	34-9
MT-68EG.....	149-44		232-20		95-1	106081L.....	33-31
MT-69A.....	150-28		232-32	01-006 Die 12.....	96-1		34-1
MT-70A.....	150-28		232-46		48-6	106081R.....	33-31
MT-71A.....	150-28	RG-8U.....	149-18		212-5		34-1
MX-9EZ.....	150-28		152-16	1-90B.....	215-19	106083L.....	35-
M8.....	167-35		152-21		216-11	106083R.....	35-
NAF1029-6C-4.....	169-18	RTA-1B.....	149-43	1B10B.....	235-2	106084.....	35-4
NAF1029B-4C-4.....	128-5	R15428.....	221-42	1MFD-100V DC.....	237-72	106086L.....	33-41
NAF1029B-8-6.....	128-7		222-13		238-77	106086R.....	33-41
NAF1065D3.....	123-7	R1S624.....	197-9	10 WATT 140 OHM.....	87-4	106087L.....	33-42
NAF1070AN14.....	151-27	R1340-S3H1.....	214-5	10 WATT 250 OHM.....	101-1	106087R.....	33-42
NAF1070AN16.....	152-13	S-2.....	38-7	10K221.....	59-43	106088-1.....	35-9
NAF1086-4.....	152-2		39-7	104209.....	12-31	106088-2.....	35-8
NAF1086-5.....	149-13	SA54-9A.....	146-5	104290.....	8-25	106089L.....	3-62
NAF1099-25-185.....	114-12		147-50		9-25	106089R.....	3-63
NAF1131-5.....	98-1	SJ-18-16/30.....	118-6		13-33	106090-10L.....	29-6
NAF1152-2.....	213-26	SK-C16-21-5/8B.....	150-39	104504-2.....	228-5	106090-10R.....	29-7
NAF1161.....	237-49		163-10	1050.....	237-58	106090-11.....	29-4
NAF1204-3.....	11-10	SK-C16-32S.....	153-13	10576.....	70-7	106090-12.....	35-17
NAF213257-1.....	149-23		154-13		72-21	106090-13.....	35-14
NAF29720-2.....	151-22		166-4	106003L.....	32-1	106090-14.....	35-11
NAF29720-6.....	149-11	SK-19-21-5/8B.....	164-2	106003R.....	32-1	106090-3.....	29-17
NAF38787-2.....	151-3		166-23	106010.....	3-3	106090-4L.....	29-14
NAS2-101A.....	43-9	SKCL-5/8B.....	153-7	106011.....	3-86	106090-4R.....	29-15
NAS2-301.....	194-31		154-7	106012-1L.....	5-40	106090-5.....	29-12
NAS50-112.....	16-40		166-5	106012-1R.....	5-40	106090-6.....	35-18
NAS50-206.....	249-5	SP2074-1.....	80-9	106013-1L.....	33-61	106090-7.....	35-15
NAS50-87.....	20-1	SP2074-2.....	88-3	106013-1R.....	33-61	106090-8.....	35-12
NK-C23-21-5/8B.....	163-2	SP2074-3.....	88-6	106014L.....	33-64	106090-9.....	29-9
	164-1	SP2074-4.....	88-7	106014R.....	33-64	106103.....	3-44
	166-22	SP2074-5.....	88-5	106015L.....	3-1	106105.....	3-4
NR4L8.....	47-35	SP2125-1.....	44-12	106015R.....	3-2	106121-1.....	5-43
	51-12		46-12	106016.....	250-	106121-2.....	33-60
	56-12		49-16	106021.....	3-	106122L.....	5-26
NT49190.....	152-20		54-14	106022L.....	5-1	106122R.....	5-26
NT49193.....	152-18	SP3600.....	125-17	106022R.....	5-2	106132L.....	33-59
NT49194.....	152-18		125-21	106026-1L.....	40-9	106132R.....	33-59
P-101-1/4.....	151-30		129-13	106026-1R.....	40-9	106133.....	3-45
P-215.....	226-51	SP7-3046-7.....	142-8	106026L.....	32-20		3-87
PA-10.....	120-63		144-10	106026R.....	32-20	106142.....	3-48
	121-61	SX5013-2.....	221-47	106028-1.....	5-41	106145-2.....	5-6
PA-5.....	120-62	S4-225.....	142-35		33-62	106145-8.....	5-4
	121-59		143-27	106042-1L.....	6-3	106145L.....	5-3
	121-60	S5A-300.....	215-18	106042-1R.....	6-3	106145R.....	5-3
PD295.....	188-42		216-10	106054-2.....	3-51	106151-1L.....	4-54
PD295-1.....	188-42		216-24		3-90		4-55
P801-C.....	142-10		216-36	106057.....	3-83	106151-1R.....	4-54
	143-2		245-11	106058.....	3-76		4-55
P801-D.....	142-11		245-26	106059.....	3-85	106155L.....	5-18
	143-3		245-28	106060.....	3-76	106155R.....	5-18
R-25A.....	129-23		245-30		3-77	106204-1L.....	33-54
R-664237.....	181-14		245-33		3-83	106204-1R.....	33-54
RA2490-2.....	68-14		246-9	106061.....	3-84	106204-2L.....	33-55
	68-30	S5A-325.....	4-53		3-85	106204-2R.....	33-55
	69-10	S6A-400.....	215-18	106063L.....	3-74	106204-3L.....	33-56
	179-24		216-10	106063R.....	3-75	106204-3R.....	33-56
RA2490-4.....	183-4		216-24	106064L.....	3-72	106204-4L.....	33-57
	183-8		216-36	106064R.....	3-73	106204-4R.....	33-57
	184-4		245-11	106065L.....	3-70	106218L.....	3-54
	184-9		245-26	106065R.....	3-71	106218R.....	3-58
	185-12		245-28	106066L.....	3-68	106221-1L.....	32-10
	185-19		245-30	106066R.....	3-69	106221-1R.....	32-10
RA2490-5.....	66-43		245-33	106067L.....	3-66	106221-2L.....	2-26
	66-50	TCB15200-5.....	25-28	106067R.....	3-67	106221-2R.....	2-27
RA2490-6.....	67-32		25-41	106068L.....	3-64	106250-1L.....	47-3
RA2494-2.....	69-9	TE-108-30.....	235-1	106068R.....	3-65	106250-1R.....	47-3
RA2500-2.....	68-15	TFD-10300.....	227-16	106070L.....	5-8	106250-2L.....	47-5
	68-31	Type AR 1 1/2.....	147-51	106070R.....	5-8	106250-3L.....	47-2
	69-11		147-57	106071L.....	5-17	106250-3R.....	47-2
RA2500-6.....	179-23	Type B-5B.....	157-10	106071R.....	5-17	106250-4.....	47-4
	67-33	Type KWG-1021.....	120-69	106072L.....	5-23	106250L.....	47-1
	67-46	Type #1 3/32 D. x 1/4.....	194-28	106072R.....	5-23	106250R.....	47-1
RA2610-2.....	182-14	Type #1 3/32 D. x 3/8.....	195-32	106073L.....	5-36	106251-1.....	46-15
RA2610-6.....	67-31		226-10	106073R.....	5-36	106251-10.....	46-18
RB2110-A.....	240-20	VJR24C5.....	237-50	106074L.....	5-37	106251-11.....	46-
REB-3N.....	69-16		238-65	106074R.....	5-37	106251-12.....	46-
REB3N2.....	69-25	VM400.....	114-8	106075L.....	5-38	106251-13.....	46-8
	215-41		114-36	106075R.....	5-38	106251-14.....	46-16
RE3H5.....	24-39		115-6	106076L.....	5-39	106251-2.....	46-10
	221-14		115-8	106076R.....	5-39	106251-3.....	46-9
	232-11		115-38	106077L.....	6-5	106251-4.....	46-11
	232-31	WK-6-23-3/8B.....	162-5	106077R.....	6-5	106251-5.....	46-14
	232-45		166-20	106079L.....	6-15	106251-6.....	46-17
RE4F5.....	24-40	WP-3.....	85-24	106079R.....	6-15		46-22

Part No.	Fig. & Index No.	Part No.	Fig. & Index No.	Part No.	Fig. & Index No.	Part No.	Fig. & Index No.
106251-7	46-21	106260-4R	47-68	106357L	32-21	106458-4R	45-42
106251-8	46-20	106261-1L	47-66	106357R	32-21	106459-1L	45-6
106251-9	46-19	106261-1R	47-66	106358L	40-8	106459-1R	45-6
106251L	46-1	106261-2L	47-65	106358R	40-8	106459L	45-2
106251R	46-1	106261-2R	47-65	106360L	33-43	106459R	45-2
106252-1L	47-51	106261-3L	47-64	106360R	33-43	106460-1L	45-43
106252-1R	47-51	106261-3R	47-64	106361-1L	40-4	106460-1R	45-43
106252-2L	47-50	106261-4L	47-63	106361-1R	40-4	106460-2L	45-44
106252-2R	47-50	106261-4R	47-63	106361-2L	40-6	106460-2R	45-44
106252-3L	47-49	106262-1L	47-62	106361-2R	40-6	106461L	45-5
106252-3R	47-49	106262-1R	47-62	106450-1	44-15	106461R	45-5
106252-4L	47-48	106262-2L	47-61	106450-10	44-11	106462L	45-67
106252-4R	47-48	106262-2R	47-61	106450-2	44-7	106462R	45-67
106253-1L	47-47	106262-3L	47-60	106450-3	44-8	106463	45-25
106253-1R	47-47	106262-3R	47-60	106450-4	44-10	106465-1L	45-41
106253-2L	47-44	106262-4L	47-59	106450-5	44-14	106465-1R	45-41
106253-2R	47-44	106262-4R	47-59	106450-6	44-9	106465-2L	45-39
106253-3L	47-43	106263-1L	47-57	106450-7	44-17	106465-2R	45-39
106253-3R	47-43	106263-1R	47-57	106450-8	44-18	106465-3L	45-38
106253-4L	47-42	106263-2L	47-56	106450-9	44-16	106465-3R	45-38
106253-4R	47-42	106263-2R	47-56		44-19	106465-4L	45-37
106253-5L	47-41	106263-3L	47-55	106450L	44-1	106465-4R	45-37
106253-5R	47-41	106263-3R	47-55	106450R	44-1	106467-1	45-65
106253-6L	47-40	106263-4L	47-54	106451-1L	45-7	106467-2	45-62
106253-6R	47-40	106263-4R	47-54	106451-1R	45-7	106468-1	45-14
106254-1L	47-39	106264-1L	47-52	106451-2L	45-8	106468-2	45-13
106254-1R	47-39	106264-1R	47-52	106451-2R	45-8	106468-3	45-11
106254-2L	47-38	106264-2L	47-53	106451-3L	45-9	106468-4	45-10
106254-2R	47-38	106264-2R	47-53	106451-3R	45-9	106468-5	45-12
106254-3L	47-37	106265-15L	47-58	106451-4	45-10	106469-1	45-18
106254-3R	47-37	106265-15R	47-58	106451-5	45-66	106469-2	45-17
106254-4L	47-36	106265-16L	47-67	106451R	45-1	106469-3	45-16
106254-4R	47-36	106265-16R	47-67	106451L	45-1	106469-4	45-15
106254-5L	47-32	106266-1	47-14	106452L	45-36	106470	44-6
106254-5R	47-32	106266-2	47-28	106452R	45-36	106650	53-13
106254-6L	47-31	106266-3	47-45	106453-1L	45-36	106651	53-8
106254-6R	47-31	106266-4	47-29	106453-1R	45-36	106652-1	53-73
106255-1L	47-27	106266-5	47-15	106453-10L	45-19	106652-2	53-78
106255-1R	47-27	106266-6	47-46	106453-10R	45-19	106653-1	53-39
106255-2L	47-26	106267-1	47-84	106453-2L	45-35	106653-2	53-40
106255-2R	47-26	106267-2	47-85	106453-2R	45-35	106653-3	53-41
106255-3L	47-25	106267-3	47-86	106453-3L	45-33	106653-4	53-41
106255-3R	47-25	106268-1L	47-22	106453-3R	45-33	106654-1	53-75
106255-4L	47-23	106268-1R	47-22	106453-4L	45-33	106654-2	53-76
106255-4R	47-23	106268-2L	47-24	106453-4R	45-26	106654-3	53-77
106255-5L	47-21	106268-2R	47-24	106453-5L	45-24	106655-1	53-47
106255-5R	47-21	106269L	46-7	106453-5R	45-24	106655-2	53-53
106256-1L	47-20	106269R	46-7	106453-6L	45-23	106655-3	53-54
106256-1R	47-20	106272-1	250-12	106453-6R	45-23	106655L	53-42
106256-2L	47-19	106300L	33-1	106453-8L	45-22	106655R	53-43
106256-2R	47-19	106300R	33-1	106453-8R	45-22	106656	53-37
106256-3L	47-18	106301L	33-5	106453-9L	45-20	106657	53-80
106256-3R	47-18	106301R	33-5	106453-9R	45-20	106659	53-38
106256-4L	47-17	106302L	33-6	106454-1L	45-4	106661-1L	53-51
106256-4R	47-17	106302R	33-6	106454-1R	45-4	106661-1R	53-51
106256-5L	47-16	106303L	33-22	106454-2L	45-61	106661-2L	53-52
106256-5R	47-16	106303R	33-22	106454-2R	45-61	106661-2R	53-52
106257-1L	47-13	106304L	33-25	106454-3L	45-60	106661-3	53-31
106257-1R	47-13	106304R	33-25	106454-3R	45-60	106665	53-99
106257-2L	47-12	106305L	33-26	106455-1L	45-59	106666-1	53-15
106257-2R	47-12	106305R	33-26	106455-1R	45-59	106666-2	53-16
106257-3L	47-11	106306L	33-27	106455-2L	45-58	106667L	53-11
106257-3R	47-11	106306R	33-27	106455-2R	45-58	106667R	53-12
106257-4	47-6	106307L	33-30	106455-3L	45-57	106669	53-83
106257-5L	47-7	106307R	33-30	106455-3R	45-57	106670	53-82
106257-5R	47-10	106308L	33-32	106455-4L	45-56	106671-1	53-67
106257-6	47-8	106308R	33-32	106455-4R	45-56	106671-2	53-69
106258-1L	47-79	106309L	33-35	106455-5L	45-55	106680	50-66
106258-1R	47-79	106309R	33-35	106456-1L	45-54	106685	53-30
106258-2L	47-78	106310L	33-36	106456-1R	45-55	106686	48-52
106258-2R	47-78	106310R	33-36	106456-2L	45-54	106686-1	48-56
106258-3L	47-77	106311-1L	33-40	106456-2R	45-54	106686-3	48-57
106258-3R	47-77	106311-1R	33-40	106456-3L	45-53	106687	48-24
106258-4L	47-76	106311L	33-39	106456-3R	45-53	106687-1	48-26
106258-4R	47-76	106311R	33-39	106456-4L	45-52	106687-2	48-25
106259-1L	47-75	106325L	33-37	106456-4R	45-52	106703	48-1
106259-1R	47-75	106325R	33-37	106457-1L	45-51	106704	48-10
106259-2L	47-74	106326L	33-28	106457-1R	45-51	106704-1	48-11
106259-2R	47-74	106326R	33-28	106457-2L	45-50	106704-2	48-12
106259-3L	47-73	106327L	33-33	106457-2R	45-50	106704-3	48-13
106259-3R	47-73	106327R	33-33	106457-3L	45-49	106704-4	48-14
106259-4L	47-72	106333-1L	33-58	106457-3R	45-49	106704-5	48-15
106259-4R	47-72	106333-1R	33-58	106457-4L	45-48	106704-6	48-16
106260-1L	47-71	106337L	33-7	106457-4R	45-48	106705	49-1
106260-1R	47-71	106337R	33-7	106458-1L	45-47	106706	49-11
106260-2L	47-70	106338L	33-14	106458-1R	45-47	106706-1	49-19
106260-2R	47-70	106338R	33-14	106458-2L	45-46	106706-10	49-30
106260-3L	47-69	106340	33-12	106458-2R	45-46	106706-13	49-14
106260-3R	47-69	106341	33-19	106458-3L	45-45	106706-14	49-15
106260-4L	47-68	106342	33-20	106458-3R	45-45	106706-2	49-21
				106458-4L	45-42	106706-3	49-12

Section IV
Numerical Parts List



Part No.	Fig. & Index No.	Part No.	Fig. & Index No.	Part No.	Fig. & Index No.	Part No.	Fig. & Index No.
106706-3 (cont)	49-13	106757-5	55-53	106853-1	50-39	107077	62-4
106706-4	49-22	106758-1	55-61	106853-2	50-40	107068	62-7
106706-5	49-18	106759-1	55-78	106853-3	50-56	107069	62-9
106706-6	49-20	106759-2	55-79	106854-1	50-57	107070L	62-10
	49-24	106760-1	55-41	106854-2	50-58	107070R	62-10
	49-27	106760-2	55-64	106854-3	50-59	107074	62-14
106706-7	49-26	106761	55-31	106854-4	50-54	107076	63-1
106706-8	49-28	106762-1	55-26	106855-1	50-41	107077	63-2
106706-9	49-29	106762-2	55-27	106855-2	50-44	107078	63-3
106707	50-1	106762-3	55-28	106855-3	50-45	107079	63-6
106707-4	50-4	106762-4	55-29	106855-4	50-46	107080	63-9
106707-7	50-2	106765-1	55-14	106856-1	50-35	107081	63-12
106707-8	50-3	106765-10	55-5	106856-2	50-52	107082	63-17
106708	49-36	106765-11	55-4	106856-3	50-53	107083	63-20
106708-1	51-1	106765-2	55-13	106856-4	50-60	107084	63-24
106708-2	51-2	106765-3	55-12	106857-1	50-42	107085	63-33
106708-3	51-3	106765-4	55-11	106857-2	50-55	107086	63-37
106709	53-1	106765-5	55-10	106860-1	50-43	107087	63-41
106710	53-81	106765-6	55-9	106861-1	50-63	107088	63-45
106710-1L	53-92	106765-7	55-8	106861-2	50-64	107089	63-52
106710-1R	53-93	106765-8	55-7	106861-3	50-65	107091	63-54
106710-2L	53-94	106765-9	55-6	106864	49-34	107092	63-55
106710-2R	53-95	106766	55-33	106865-1	51-13	107093-10	64-2
106710-3	53-96	106767	54-37	106865-2	51-14	107093-11	64-1
106711	54-1	106768-1	49-25	106869-1	50-15		64-3
106712	54-8	106768-2	49-23	106870	50-16	107093-12	64-16
106712-1	54-17	106768-3	54-22	106875-1	51-5	107093-13L	64-14
106712-11	54-12	106768-4	54-23	106875-2	51-4	107093-13R	64-15
106712-12	54-13	106768-5	54-24	106876-2	51-6	107093-14	64-13
106712-14	54-15	106768-6	54-25	106876-3	51-9	107093-9	64-4
106712-2	54-9	106769-1	56-13	106876-6L	51-7	107094-10L	64-6
106712-3	54-11	106769-2	56-14	106876-6R	51-8	107094-10R	64-7
106712-4	54-10	106775-1	56-5	106890	48-9	107094-11	64-5
106712-5	54-16	106775-2	56-4	107002	58-3	107094-12	64-12
106712-6	54-18	106776-2	56-6	107003	58-17	107094-13L	64-10
	54-21	106776-3	56-9	107003-8	125-8	107094-13R	64-11
106712-7	54-20	106776-6L	56-7	107003-9	125-7	107094-14	64-9
106712-8	54-19	106776-6R	56-8	107006	58-36	107094-9	64-8
106713	54-1	106800	48-18	107013-1	125-9	107095	63-53
106713-1	55-72	106801	48-21	107016-17	125-4	107097	64-17
106713-10	55-18	106802-1	48-41	107016-20	129-19	107097-2	64-18
106713-11	55-16	106802-2	48-43	107016-25	129-7	107098	64-37
106713-12	55-15	106803-1	48-23	107016-26	129-8	107099	64-42
106713-2	55-54	106803-2	48-45	107016-27	129-9	107100	64-43
106713-3	55-3	106804-1	48-51	107017-1	125-3	107101	64-44
106713-4	55-34	106804-2	48-72	107021	125-5	107102-1	62-5
106713-5	55-50	106804-3	48-74	107021-13	130-15	107102-2L	62-6
106713-6	55-44	106805-1	48-76	107021-16	130-10	107102-2R	62-6
106713-7	55-20	106805-3	48-78	107021-17	130-9	107103L	62-28
106713-8	55-17	106807-1	48-39	107021-18	130-17	107103R	62-29
106713-9	55-19	106807-2	48-42	107021-20	130-18	107104L	62-26
106714	54-26	106807-3	48-44	107024	169-	107104R	62-27
106714-1	56-1	106807-4	48-50	107025-2L	131-11	107105L	62-13
106714-2	56-2	106807-5	48-71	107025-2R	131-11	107105R	62-13
106714-3	56-3	106808-1	48-73	107025-3	131-10	107106L	62-30
106716-1	67-34	106808-2	48-75	107025-6	59-34	107106R	62-30
106717	53-98	106808-3	48-77	107025-7	59-34	107107L	62-31
106720	48-7	106810	48-40	107026L	62-37	107107R	62-31
106720-2	48-8	106811L	48-20	107026R	62-37	107108L	62-8
106721	50-23	106811R	48-79	107028	61-1	107108R	62-8
106722-1	53-17	106813-1L	48-79	107031-1	58-37	107111	62-32
106722-2	53-21	106813-1R	48-80	107034	58-4	107113	62-11
106750	55-30	106813-2L	48-47	107037-1	58-46	107114-2	64-52
106751-1	55-21	106813-2R	48-48			107114-3	64-53
106751-2	55-22	106817-1L	48-82	107039	63-65	107116L	58-20
106751-3	55-23	106817-1R	48-83	107046	59-29	107166R	58-20
106751-4	55-24	106817-2L	48-84	107047-1	59-28	107125-1L	61-2
106751-5	55-25	106817-2R	48-85	107047-2	59-27	107125-1R	61-2
106752-1	55-35	106818	48-86	107050-1	60-2	107126-1L	61-3
106752-2	55-38	106819L	58-39	107051	60-3	107126-1R	61-3
106752-3	55-39	106819R	58-40	107052	60-4	107126-2	62-34
106752-4	55-40	106820	48-60	107053	60-5	107128-1L	63-62
106753-1	55-42			107054	60-6	107128-1R	63-62
106753-2	55-43			107055	60-7	107128-2L	63-63
106753-3	55-45			107056	60-8	107128-2R	63-63
106753-4	55-49	106821	48-34	107057L	60-9	107128-3L	63-64
106754-1	55-51	106822-1	48-59	107057R	60-9	107128-3R	63-64
106754-2	55-60	106822-2	48-58	107058L	60-10	107131	62-33
106754-3	55-63	106823-1	53-32	107058R	60-10	107132-5	63-61
106754-4	55-65	106825	53-26	107059L	60-11	107200	125-13
106755-1	55-66	106840	50-62	107059R	60-11		128-8
106755-2	55-67	106841-7	50-61	107060L	60-12	107200-1	125-12
106755-3	55-68	106850	50-22	107060R	60-12	107213-1	63-21
106755-4	55-69	106851-1	50-5	107061L	60-13	107213-10	63-43
106755-5	55-68	106851-2	50-6	107061R	60-13	107213-12	63-8
106755-6	55-69	106851-3	50-7	107062	60-14	107213-15	63-23
106755-7	55-69	106851-8	50-13	107063	60-14	107213-3	63-42
106756	55-2	106851-9	50-14	107064	60-26	107213-4	63-35
106757-1L	55-36	106852-1	50-36	107065	60-51	107213-5	63-34
106757-1R	55-37	106852-2	50-37	107066	62-2	107213-6	63-36
106757-2	55-70	106852-3	50-38				
106757-3	55-71						
106757-4	55-52						

Part No.	Fig. & Index No.	Part No.	Fig. & Index No.	Part No.	Fig. & Index No.	Part No.	Fig. & Index No.
107213-7L	63-7	107369-2	63-67	108035-2L	198-8	108220	213-23
107213-7R	63-7	107369-3	63-68	108035-2R	198-9	108221	213-43
107213-8	63-44	107370	125-22	108035-3	198-4	108223-2	213-24
107213-9	63-22	107370-1	125-27	108035-4	198-6	108225-1	212-10
107214-12	63-32	107370-3	125-23	108035-5	198-5	108225-2	212-11
107214-16	63-15	107370-4	125-26	108035-6	198-10	108225-3	212-12
107214-17	63-13	107371-5	157-21	108036-1L	199-9	108226L	212-1
107214-18	63-30	107378-1	62-54	108036-1R	199-9	108226R	212-2
107214-3	63-39	107397L	58-21	108036-2L	199-6	108227	212-21
107214-4	63-38	107397R	58-21	108036-2R	199-6	108228	212-24
107214-5	63-16	107399-1	129-31	108036-3L	199-7	108229-1L	212-13
107214-6	63-40	107400	169-9	108036-3R	199-7	108229-1R	212-14
107214-8	63-31	107410-1L	62-38	108036-4	199-5	108229-2L	212-15
107214-9	63-14	107410-1R	62-38	108036-5L	199-4	108229-2R	212-16
107220-1	62-16	107410-2L	62-40	108036-5R	199-4	108229-3L	212-17
107221-3	125-18	107410-2R	62-40	108036-6	199-8	108229-3R	212-18
		107419	59-44	108036L	189-17	108229-4L	212-19
107224-1L	65-1	107423	61-13	108036R	189-17	108229-4R	212-20
107224-1R	65-2	107424	59-40	108040L	189-1	108230	213-21
107224-2L	65-3	107439	59-41	108040R	189-1	108231-1	212-8
107224-2R	65-4	107463-1	132-9	108041	200-7	108231-2	212-26
107225-29	58-2	107476	169-1	108042L	210-1	108231-3	212-7
107250	59-8	107477	169-19	108042R	210-1	108232-1L	213-1
107251-1L	59-6	107486	129-4	108043L	210-2	108232-1R	213-2
107251-1R	59-6	107490-1	132-8	108043R	210-2	108232L	212-22
107251L	59-6	107496-1	132-16	108045-1	189-4	108232R	212-23
107251R	59-6	107497	128-6	108045-2	189-7	108235	212-25
107253	131-9	107533	128-3	108045-3	189-10	108236	213-13
107254-1L	125-6			108045-4	189-13	108237	213-52
107254-1R	125-6			108047-1	205-47	108240-1L	213-46
107269	59-20	107539	58-10	108047-3	205-55	108240-1R	213-47
107273-3	62-1	107559	132-28	108048	200-1	108240-2L	213-48
107273-4	62-3	107561-1	63-69	108049-1L	188-30	108240-2R	213-49
107277	59-3	107561-2	63-70	108049-1R	188-30	108241L	213-44
107286-5	59-26	107565-1	171-3	108050-1	188-40	108241R	213-45
107292	131-14	107565-10	171-15	108054	179-38	108300	218
107294	131-6	107565-11	171-25			108300-1	218-18
107297-4	59-24	107565-12	171-21	108056	180-6	108300-32	218-10
107297-5	59-25	107565-2	171-9	108058-2L	180-21	108316	218-31
107307	61-4	107565-3	171-5	108058-2R	180-21	108317	218-37
107308L	148-19	107565-4	171-11	108060	180	108318-1	216-1
107308R	148-20	107565-5	171-13	108070	179	108318-2L	216-19
107321L	61-10	107565-6	171-19	108071	179-1		
107321R	61-10	107565-7	171-23	108076-1	179-45	108318-2R	216-19
107332-1	132-21	107565-8	171-17	108076-2L	179-50		
107332L	132-17	107565-9	171-7	108076-2R	179-50	108320-1L	214-11
107332R	132-18	107566	171	108076-3	179-58		
107333L	132-19	107567	171-1	108077-1	179-25	108320-1R	214-11
107333R	132-20	107573	60-14	108082	179-7		
107334-1L	62-50	107585-1	58-26	108082-1	179-22	108320-2	214-6
107334-1R	62-50	107587-1	58-27	108082-2	179-18	108320-3	214-21
107334-2L	62-51	107666-1	58-27	108085-3	180-14	108325-1L	4-5
107334-2R	62-51	108-00-156	133-77	108092	196-11		
107334-3	62-53	108-00-158	30-6	108094	189-36	108325-1R	4-5
107334-4L	62-52	108-00-162	25-45	108180	210-3		
107334-4R	62-52	108-00-186	133-7	108200	211-1	108325-2L	4-3
107335-1L	132-13			108201	211-17		
107335-1R	132-14	108-00-188	30-1	108201-1L	213-27	108325-2R	4-4
107335-2	132-15	108-00-192	25-32	108201-1R	213-28		
107336-1	132-12	108-00-226	28-2	108201-2L	213-29	108327	216-38
107336-2L	132-10	108-00-256	28-55	108201-2R	213-30	108334-1	4-25
107336-2R	132-11	108001L	188	108201-3L	213-32	108335-1L	4-20
107337-1	132-24	108001R	188	108201-3R	213-33	108335-1R	4-20
107337-2	132-25	108002	205	108201-4	213-34	108335-2L	4-15
107337-3L	132-22	108007L	188-2	108201-5	213-35	108335-2R	4-15
107337-3R	132-23			108201-7	211-17	108400-1	215-78
107338-1	132-27	108007R	188-22	108202	211-2	108400L	215
107338-2	132-28			108202-1	212-4	108400R	215
107339-1	132-5	108020L	205-59	108202-2	212-6	108401-1L	215-11
107339-2	132-4	108020R	205-59	108202-3	212-9	108401-1R	215-11
107340-1	132-6	108025	196-15	108205	213-8	108401-6L	215-1
107340-2	132-7	108026-5L	188-19	108206	213-38	108401-6R	215-1
107344	60-1	108026-5R	188-19	108207	213-39	108401-7L	215-2
107353-1L	62-35	108027-1L	196-10	108208	213-40	108401-7R	215-2
107353-1R	62-35	108027-1R	196-10	108209	213-41	108401-8L	215-3
107353-2L	62-36	108028-1	188-29	108210	213-42	108401-8R	215-3
107353-2R	62-36	108029	188-23	108211	213-50	108401-9L	215-4
107355L	62-58	108032-1	196-14	108212	213-51	108401-9R	215-4
107355R	62-58	108032-2	196-13	108213	213-53	108403-1	215-12
110360	148-1	108033-1L	200-10	108214	213-54	108404L	215-14
110361-2	148-15	108033-1R	200-10	108215	213-55	108404R	215-14
107361L	63-4	108033-2L	200-8	108216-1	213-15	108408-1L	215-20
107361R	63-5	108033-2R	200-8	108216-2	213-16		
107362-1	63-19	108033-3	200-6	108217-1L	213-17	108408-1R	215-25
107362-2	63-18	108033L	189-35	108217-1R	213-18		
107365L	58-22	108033R	189-35	108217-2L	213-19	108408-2L	215-25
107365R	58-22	108034L	58-18	108217-2R	213-20		
107368-1	63-11	108034R	58-18	108218-1	213-36	108408-2R	215-21
107368-2	63-10	108035	189-16	108218-2	213-37		
107369-1	63-66	108035-1	198-7	108219	213-22	108409L	4-32

Section IV
Numerical Parts List



Part No.	Fig. & Index No.	Part No.	Fig. & Index No.	Part No.	Fig. & Index No.	Part No.	Fig. & Index No.
108409R.....	4-32	109001-49.....	226-33	109008-2.....	247-10	109081-6.....	25-3
108411L.....	215-74	109001-5.....	25-29	109010-1.....	226-38	109081-7.....	25-7
108411R.....	215-74	109001-50.....	174-21	109010-10.....	174-39	109081-8.....	25-9
108412-1.....	215-30	109001-52.....	226-16	109010-11.....	174-41	109082.....	173-50
108412-2.....	215-31	109001-6.....	174-17	109010-12.....	174-43	109084-1L.....	25-21
108412-3.....	215-32	109001-7.....	174-15	109010-13.....	174-45	109084-1R.....	25-34
108412-4.....	215-33	109001-8.....	174-13	109010-2.....	25-67	109084-2.....	25-
108412-5.....	215-42	109001-9.....	25-47	109010-3.....	25-69	109085.....	225-14
108412-6.....	215-42	109002.....	172-	109010-4.....	174-26	109087-1.....	226-2
108412-7.....	215-42	109002-1.....	172-8	109010-5.....	174-28	109091-1.....	226-5
108412-8.....	215-42	109002-10.....	172-15	109010-6.....	174-30		226-18
108416-7.....	215-62	109002-11.....	172-17	109010-7.....	174-32		231-5
108425-13.....	4-42	109002-12.....	172-19	109010-8.....	25-72		242-1
108425-5.....	4-39	109002-13.....	248-23	109010-9.....	174-37	109093-1.....	227-1
108425L.....	4-2	109002-14.....	248-16	109012-1.....	239-1	109094-1.....	227-11
108425R.....	4-2	109002-2.....	172-6	109012-2.....	239-4	109094-2.....	227-6
108429L.....	216-28	109002-29.....	231-24	109012-3.....	239-2	109095-1.....	226-34
108429R.....	216-28	109002-3.....	172-4	109012-4.....	239-3	109099-1.....	25-59
108430-1.....	4-36	109002-30.....	231-40	109016-1.....	242-	109099-2.....	25-60
108431-1.....	216-25	109002-31.....	248-9	109016-5.....	242-11	1091.....	44-13
108431-2.....	216-25	109002-33.....	248-2	109025-1.....	219-1		46-13
108432-2.....	4-50	109002-35.....	231-33	109025-2.....	219-2		49-17
108434L.....	4-1	109002-36.....	231-23	109028-2.....	225-1	109103-1.....	221-39
108434R.....	4-1		231-39	109029-2.....	225-6	109106-1.....	223-17
108452-1L.....	245-1	109002-37.....	231-17	109029-2.....	225-27	109106-2.....	221-66
108452-1R.....	245-2	109002-38.....	248-23	109030-13.....	225-23		222-44
108452-6L.....	245-15	109002-39.....	248-25	109030-14.....	225-21	109106-3.....	223-5
108452-6R.....	245-15	109002-4.....	172-2	109030-3.....	225-25	109106-4.....	222-36
108452-7L.....	245-20	109002-40.....	248-27	109030-8.....	225-12	109107.....	221-49
108452-7R.....	245-20	109002-41.....	248-25	109030-9.....	225-11	109109-1.....	222-37
108453L.....	245-25	109002-42.....	231-4	109033.....	226-40	109111-1.....	222-35
108453R.....	245-25	109002-43.....	231-12	109033-1.....	226-41	109119-1.....	222-17
108454-9L.....	246-8	109002-44.....	248-27	109033-2.....	226-42	109120-1.....	220-9
108454-9R.....	246-8	109002-5.....	26-4	109034-10.....	225-22	109121.....	222-43
108454L.....	246-1	109002-51.....	172-21		225-26	109125-5.....	243-1
108454R.....	246-2	109002-6.....	26-2	109034-11.....	225-13	109125-6.....	243-1
108456-1L.....	214-26	109002-7.....	231-2	109034-13.....	225-28	109125-8.....	243-1
108456-1R.....	214-26	109002-8.....	26-7	109034-8.....	225-	109126.....	243-36
108457-1L.....	214-32	109002-9.....	172-13	109034-9.....	225-20	109126-1.....	244-9
108457-1R.....	214-32	109004.....	219-		225-24	109128.....	244-1
108459L.....	245-29	109005.....	220-	109036.....	219-3	109129.....	244-3
	245-32	109006-1.....	240-1	109037-1.....	219-8	109129-1.....	244-6
108459R.....	245-29	109006-10.....	175-14	109037-2.....	219-23	109129-2.....	244-7
	245-32		175-30	109038.....	221-1	109130.....	243-9
108460-1.....	245-27	109006-11.....	30-5	109038-1.....	221-12	109131.....	243-15
108460-3.....	245-27	109006-13.....	175-18	109039.....	221-27	109132L.....	243-37
108466.....	245-12	109006-14.....	175-20	109040.....	221-31	109132R.....	243-38
108468.....	245-12	109006-15.....	175-22	109044.....	223-14	109134.....	244-5
108469-2.....	246-4	109006-16.....	175-24	109045-2.....	223-16	109143.....	231-25
108469-5.....	246-7	109006-17.....	175-26	109045-3.....	223-1	109143-2.....	231-25
108470-2.....	245-7	109006-2.....	30-2	109048.....	223-6	109144.....	231-19
108470-5.....	245-10	109006-3.....	30-4	109049.....	223-29	109144-2.....	231-19
108471-1L.....	245-3	109006-3.....	30-4	109051.....	220-1	109145.....	231-29
108471-1R.....	245-3	109006-37.....	240-17	109052-1.....	220-10	109145-2.....	231-29
108529.....	173-31	109006-38.....	240-14	109052-2.....	220-11	109146.....	231-35
108530-1.....	173-26	109006-39.....	240-4	109053-1.....	220-9	109146-3.....	231-35
108533-1.....	173-35		240-13	109053-4.....	221-45	109148-1.....	231-34
108533-2.....	173-33		240-16	109054.....	221-65	109148-3.....	231-34
108534-2.....	173-30		240-18	109055.....	220-5	109150.....	248-17
108626-1.....	226-31	109006-4.....	175-54	109056.....	221-34	109151.....	231-18
108626-2.....	226-31	109006-5.....	175-2	109056-1.....	222-34	109152.....	248-11
108651-1.....	25-	109006-6.....	175-4	109061.....	223-7	109153.....	248-4
108651-2.....	25-13	109006-7.....	175-6	109062.....	221-58	109155.....	231-22
108651-3.....	25-17	109006-8.....	175-8		222-38		231-32
108651-4.....	25-14	109006-9.....	175-10	109062-1.....	221-62	109156.....	231-28
108651-5.....	25-18	109007-1.....	28-25		222-39		231-38
108661-1.....	175-34	109007-15.....	28-22	109062-2.....	221-63	109158.....	243-22
108661-2.....	175-42	109007-17.....	28-23		222-40	109158-2.....	243-30
108661-8.....	175-41	109007-19.....	28-30	109063-1.....	221-64	109159.....	243-28
109001-1.....	174-6	109007-2.....	28-52	109063-2.....	221-59	109160.....	224-51
109001-10.....	25-44	109007-20.....	28-28		222-41	109164-1.....	224-6
109001-11.....	25-33	109007-21.....	140-2	109064-1.....	221-61	109164-2.....	224-1
109001-12.....	25-43	109007-22.....	140-4	109065.....	221-54	109164-3.....	224-11
109001-13.....	25-20	109007-23.....	140-6	109067.....	221-53	109165-1.....	224-28
109001-14.....	25-50	109007-24.....	140-8	109068.....	221-52		224-43
109001-15.....	25-31	109007-26.....	140-10	109070-1.....	221-15	109165-2.....	224-29
109001-16.....	25-56	109007-27.....	140-12		222-27		224-44
109001-17.....	226-13	109007-28.....	140-14	109070-2.....	223-15	109167.....	224-
109001-18.....	226-3	109007-29.....	140-16	109070-3.....	22-23	109168-1.....	224-16
109001-19.....	25-42	109007-3.....	28-54	109072.....	223-19	109168-2.....	224-31
109001-2.....	174-4	109007-30.....	140-18	109076-1.....	25-75	109168-4.....	224-30
109001-20.....	174-19	109007-31.....	140-20	109078-1.....	226-12	109168-5.....	224-45
109001-21.....	174-8	109007-32.....	140-22	109078-3.....	226-12	109168-8.....	224-31
109001-3.....	174-2	109007-33.....	140-24	109079-1.....	25-19	109169-1.....	224-36
109001-37.....	226-27	109007-34.....	140-33	109080.....	226-36	109169-2.....	224-21
109001-38.....	226-26	109007-4.....	28-19	109081.....	25-1	109171.....	224-53
109001-39.....	226-32	109007-5.....	28-17	109081-1.....	25-	109175-1.....	232-36
109001-4.....	25-52	109007-6.....	28-15	109081-3.....	25-4	109175-2.....	232-22
109001-40.....	25-54	109007-7.....	28-13	109081-4.....	25-6	109175-3.....	232-48
109001-48.....	226-30	109008-1.....	247-12	109081-5.....	25-5	109175-4.....	232-34



Section IV
Numerical Parts List

Part No.	Fig. & Index No.	Part No.	Fig. & Index No.	Part No.	Fig. & Index No.	Part No.	Fig. & Index No.
109176-1.....	24-53	109255 (cont).....	72-9	109409R.....	4-32	109500-132LGE-4.....	133-17
109176-2.....	24-67	109256L.....	72-3	109410.....	66-5	109500-133LGE-4.....	133-19
109176-3.....	24-61	109256R.....	72-3	109410-1.....	76-4	109500-134LGE-4.....	133-21
109177-1.....	4-7	109257L.....	72-1	109410-2.....	76-8	109500-135LGE-4.....	133-33
109177-2.....	4-8	109257R.....	72-2	109410-3.....	76-17	109500-136LGE-4.....	133-35
109179.....	4-47	109260.....	73-5	109412.....	66-4	109500-137LGE-4.....	133-39
109180-1.....	4-30	109261.....	73-21	109413.....	66-13	109500-138LGE-4.....	133-41
109180-2.....	4-30	109262.....	74-8	109419.....	73-9	109500-139LGE-4.....	15-129
109180-3.....	4-31	109270.....	68-49	109427.....	66-18	109500-14P-6.....	15-55
109180-4.....	4-31	109272.....	79-17	109429.....	66-16	109500-140LGE-6.....	133-37
109181-1.....	4-46	109273.....	79-18		68-32	109500-141LGE-4.....	133-22
109182-1.....	4-45	109274-1.....	79-4	109431.....	64-51	109500-142LGE-4.....	133-24
109182-2.....	4-45	109274-2.....	79-2	109434.....	62-17	109500-143LGE-4.....	133-28
109185-1.....	24-42	109300.....	251-3	109437.....	69-21	109500-144LGE-4.....	133-30
109185-2.....	24-48	109308.....	66-1	109437-1.....	69-28	109500-145LGE-4.....	133-32
109186-1.....	24-29	109309.....	66-2	109438.....	69-29	109500-146LGE-4.....	15-123
109186-2.....	232-1		71-	109438-1.....	69-34	109500-147LGE-6.....	133-26
109186-3.....	24-38	109309-1.....	71-26	109439.....	69-	109500-148ER-4.....	134-50
109186-4.....	232-10	109311.....	176-96	109455-1.....	66-22	109500-149ER-4.....	134-48
109190.....	176-44	109315.....	73-18	109455-2.....	66-30	109500-15P-8.....	15-75
109191.....	176-38	109315-1.....	75-53	109456.....	73-15	109500-150CFP-4.....	134-4
109192L.....	176-35	109315-2.....	75-54	109457.....	70-44	109500-151WWP-4.....	134-9
109192R.....	176-33	109316.....	66-3	109458.....	75-4	109500-152WWP-4.....	134-11
109193.....	176-84	109316-1.....	73-17		75-38	109500-153WWP-4.....	134-13
109200-1.....	173-36	109316-3.....	73-14	109462.....	70-25	109500-154WWP-4.....	134-15
109200-2.....	173-37	109316-4.....	73-58	109463.....	68-17	109500-155WWP-4.....	134-17
109200-3.....	232-50	109316-5.....	73-59	109463-1.....	68-18	109500-156WWP-4.....	134-19
109200-4.....	232-50	109351-4L.....	70-73	109463-2.....	68-26	109500-157WWP-4.....	134-23
109202-1.....	173-40	109351-4R.....	70-73	109464-1.....	68-2	109500-158WWP-4.....	134-21
109202-2.....	173-41	109351L.....	70-57	109464-2.....	68-10	109500-159WWP-4.....	134-25
109202-3.....	173-38	109351R.....	70-58	109464-5.....	68-1	109500-16P-6.....	15-73
109202-4.....	173-39	109352L.....	70-35	109464-6.....	68-1	109500-160WWR-4.....	134-26
109203-1.....	173-7	109352R.....	70-35	109464-7.....	68-2	109500-162WWR-4.....	134-28
109203-2.....	24-1	109353-2.....	70-21	109465.....	68-33	109500-163WWR-4.....	134-30
109203-3.....	24-8	109354.....	70-16	109465-1.....	68-34	109500-164R-4.....	134-35
109203-5.....	24-7	109356.....	70-30	109465-2.....	68-35	109500-165CFR-4.....	134-32
109203-6.....	24-3	109357.....	70-23	109466.....	68-47	109500-166CFR-4.....	134-34
109203-7.....	24-14	109358.....	70-20	109467.....	77-38	109500-167CFR-4.....	137-13
109203-8.....	24-10	109359.....	70-31	109470.....	74-4	109500-168CFR-4.....	137-15
109203-9.....	173-15	109360L.....	70-1	109471.....	74-11	109500-169CFR-4.....	137-16
109204.....	173-1	109360R.....	70-2	109471-1.....	74-12	109500-17P-6.....	15-71
	173-4	109361-1L.....	71-6	109475.....	251-4	109500-170CFP-4.....	137-17
109209-3.....	232-14	109361-1R.....	71-7	109477.....	68-48	109500-171CFP-4.....	137-19
109209-6.....	232-19	109361-2L.....	71-23	109478.....	78-5	109500-172CFP-4.....	137-20
109210-1.....	140-37	109361-2R.....	71-24	109478-1.....	78-	109500-173CFP-4.....	134-8
109210-2.....	140-26	109363.....	70-38	109478-2.....	78-16	109500-174CFO-4.....	134-76
109210-3.....	140-31	109363-1.....	70-43	109478-3.....	78-12	109500-175CFO-4.....	134-78
109210-7.....	140-27	109364-1.....	70-65	109480.....	78-13	109500-176CFO-4.....	15-166
109214.....	240-6	109364-2.....	70-64	109483-1.....	78-38	109500-18P-1L.....	15-69
109216.....	229-	109365-1.....	73-65	109484.....	78-39	109500-183CFC-4.....	15-158
109216-1.....	229-12	109365-10.....	75-41	109485.....	78-36	109500-184CFC-4.....	134-74
109216-2.....	229-13	109365-11.....	75-7	109489.....	67-44	109500-185CFC-4.....	134-72
109216-3.....	229-1	109365-2.....	73-36	109490.....	73-25	109500-186CFO-4.....	134-80
109216-4.....	229-5	109366-1.....	75-26	109500-1S-8.....	15-27	109500-187CFO-4.....	134-82
109216-5.....	229-6	109366-2.....	75-24	109500-10S-8.....	15-46	109500-188CFO-4.....	15-150
109216-6.....	229-7	109366-3.....	75-6	109500-100LGD-6.....	133-101	109500-189CFO-4.....	15-148
109216-7.....	229-8	109366-4.....	75-40	109500-101LGD-6.....	133-88	109500-19P-6.....	15-67
109216-8.....	229-9	109367-1.....	75-23	109500-102LGD-4.....	133-92	109500-196CFC-4.....	15-138
109216-9.....	229-11	109367-2.....	75-21	109500-103LGD-4.....	133-94	109500-197CFC-4.....	134-68
109218.....	229-17		75-22	109500-104LGD-4.....	133-96		15-140
109220-1.....	28-36	109368.....	75-12	109500-105LGD-4.....	133-98	109500-199WWP-4.....	134-59
109222-1.....	28-50	109378.....	78-6	109500-106LGD-4.....	15-121	109500-2S-8.....	15-29
109223-1.....	28-49	109387.....	60-27	109500-107LGD-6.....	133-90	109500-20P-6.....	15-65
109230-10.....	226-50	109391-1.....	67-45	109500-108LGD-6.....	133-50	109500-200WWP-4.....	134-61
109230-2.....	226-53	109391-2.....	67-49	109500-109LGD-6.....	133-48	109500-201WFF-4.....	134-63
109230-3.....	241-4	109394.....	63-51	109500-11S-8.....	15-48	109500-202WFF-4.....	134-65
109230-4.....	226-56	109398.....	63-56	109500-110LGD-6.....	133-44	109500-203WFF-4.....	134-67
109230-5.....	226-47	109400-1.....	75-34	109500-111LGD-6.....	133-51	109500-204WFF-4.....	15-117
109233-1.....	28-3		75-37	109500-112LGD-6.....	133-53	109500-205WFF-4.....	15-82
109233-2.....	28-7	109400-2.....	73-47	109500-113LGD-4.....	133-55	109500-206WFF-4.....	15-97
109233-3.....	28-8	109400-3.....	73-46	109500-114LGD-6.....	133-67	109500-207WFF-4.....	15-95
109233-4.....	28-9	109401.....	41-11	109500-115LGD-4.....	133-71	109500-208WFF-4.....	15-93
109236-3.....	219-17	109402.....	41-11	109500-116LGD-4.....	133-73	109500-209WFF-4.....	47-1
	219-32	109404L.....	41-1	109500-117LGD-4.....	133-75	109500-21P-6.....	15-63
109237-1.....	219-18	109404R.....	41-1	109500-118LGD-4.....	15-125	109500-210WFF-4.....	42-6
109237-2.....	219-33	109407-1.....	67-19	109500-119LGD-6.....	133-69	109500-211WFF-4.....	42-8
109243.....	247-8	109407-2.....	67-20	109500-12S-8.....	15-50	109500-212WFF-4.....	15-105
109245-1.....	225-17	109408-1.....	67-1	109500-120LGD-6.....	133-56	109500-213WFF-4.....	15-107
109245-2.....	225-15	109408-2.....	67-10	109500-121LGD-4.....	133-60	109500-214WFF-4.....	15-110
109250.....	66-2	109409-1.....	14-1	109500-122LGD-4.....	133-62	109500-215WFF-4.....	15-112
109251L.....	72-14		66-40	109500-123LGD-4.....	133-64	109500-216WFF-4.....	15-114
109251R.....	72-15	109409-10.....	14-19	109500-124LGD-4.....	133-65	109500-217WFF-4.....	15-116
109252L.....	72-31	109409-11.....	14-23	109500-125LGD-4.....	15-119	109500-218WFF-4.....	42-8
109252R.....	72-32	109409-2.....	14-9	109500-126LGD-6.....	133-58	109500-219WFF-4.....	42-6
109253-6L.....	72-29		66-48	109500-127LGE-4.....	133-16	109500-22P-6.....	15-61
109253-6R.....	72-30	109409-3.....	14-17	109500-128LGE-4.....	133-14	109500-220WFF-4.....	42-1
109253-9L.....	72-5	109409-4.....	14-3	109500-129LGE-4.....	133-12	109500-221WFF-4.....	15-104
109253-9R.....	72-5	109409-5.....	14-7	109500-13P-8.....	15-57	109500-222WFF-4.....	15-102
109254.....	72-9	109409-8.....	14-15	109500-130LGE-6.....	133-10	109500-223WFF-4.....	15-100
109255.....	72-4	109409-9.....	14-11	109500-131LGE-6.....	133-8	109500-224WFF-4.....	15-98

Section IV
Numerical Parts List



Part No.	Fig. & Index No.	Part No.	Fig. & Index No.	Part No.	Fig. & Index No.	Part No.	Fig. & Index No.
109500-225WU-4	15-109	109500-62EB-4	134-94	109610 (cont)	133-100	110065-3	238-49
109500-226FBU-4	15-92	109500-63EB-4	134-96	109611	138-8	110065-4	238-54
109500-227FBU-4	15-90	109500-64B-4	134-111	109615	134-128	110065-5	238-59
109500-228FBU-4	15-88	109500-65E-4	134-109		134-130	110065-7	233-6
109500-229FBU-4	15-86	109500-66B-4	134-107		134-164	110065-8	233-6
109500-230FBU-4	15-85	109500-67B-4	134-105		134-168	110065-9	233-6
109500-231R-4	15-83	109500-68B-4	134-103	11A	71-25	110066-1	7-1
109500-232R-8	15-80	109500-69B-4	134-101	11D-2	133-142	110066-2	7-1
109500-233V-4	15-6	109500-7S-8	15-40	110S-3	201-67	110066-3	7-1
109500-234LGU-6	133-78	109500-71B-4	134-126	110002-1	233-	110067-1	7-5
109500-235LGD-6	133-46	109500-72B-4	134-124	110002-2	233-	110067-2	7-5
109500-236LGU-6	133-83	109500-73B-4	134-122	110002-5	233-	110068	233-7
109500-237P-6	15-59	109500-74B-4	134-120	110002-6	233-	110069-1	118-11
109500-238P-6	133-130	109500-75B-4	134-118	110021-2	80-39	110069-2	118-7
109500-239P-6	133-128	109500-76B-4	134-116	110022-1	80-39	110069-3	118-1
109500-241CFC-4	134-70	109500-78B-4L	193-1	110022-2	80-39	110070	7-6
109500-242CFP-4	134-6	109500-78B-4R	193-1	110022-3	80-39	110071-1	11-14
109500-243D-4	134-153	109500-8S-8	15-42	110022-4	80-39	110071-3	11-6
109500-244B-4	134-155	109500-81R-4	134-41	110025-1	80-3	110072-1	80-43
109500-245B-4	134-156	109500-82R-6	134-44	110025-2	80-3	110072-2	80-43
109500-246E-4	134-160	109500-83R-6	134-46	110026-1	80-6	110072-3	80-43
109500-247S-4	134-162	109500-84R-6	134-52	110026-2	80-6	110079	12-14
109500-248E-4	134-163	109500-85R-6	134-54	110027-1	80-26		13-16
109500-249P-8	15-53	109500-86R-6	134-56	110027-2	80-26	110085	81-5
109500-250P-8	16-2	109500-87R-6	134-58	110028-1	80-27		82-6
109500-251P-8	16-3	109500-88LGP-6	134-1	110029-1	80-28		92-11
109500-254P-4	133-135	109500-89LGP-6	134-3	110029-2	80-22		93-7
109500-255R-4	134-40	109500-9S-8	15-44	110031-1	80-19		94-11
109500-256R-4	134-37	109500-90LGR-6	134-43	110031-2	80-20		95-5
109500-257R-4	134-39	109500-91LGR-6	133-82	110033	80-13		96-7
109500-258ER-4	134-133	109500-92LGR-6	133-80	110035	80-25	110086	92-8
109500-26P-8	16-5	109500-93LGR-6	133-85	110036	120-1		94-8
109500-261R-4	134-135	109500-94LGR-4	133-87		121-1	110087-1	80-14
109500-262ER-4	134-137	109500-95LGR-6	133-99	110038-1	36-1	110087-2	80-16
109500-263ER-4	134-139	109500-96LGR-4	133-103	110038-2	36-1	110088-1	80-1
109500-263R-4	134-173	109500-97LGR-4	133-105	110038-3	36-1	110088-2	80-2
109500-264BR-4	134-141	109500-98LGR-4	133-107	110039-1	36-1	110088-3	80-15
109500-264R-4	134-171	109500-99LGR-4	15-127	110039-2	36-1	110088-4	80-18
109500-265ER-4	134-143	109506	15-1	110041	80-33	110088-5	80-17
109500-265R-4	134-167	109508	133-5	110042	80-34	110089	92-9
109500-266BR-4	134-145	109514	133-2	110043	80-24		94-9
109500-267ER-4	134-147	109515	133-1	110044	80-29	110090	93-5
109500-268ER-4	134-149	109516L	188-1	110045-1	80-23		96-5
109500-27P-8	16-1	109516R	188-1	110046-1	80-30	110097-1	237-62
109500-274CFO-4	15-164	109528	133-3	110046-2	80-31	110099-2	196-23
109500-275CFO-4	15-162	109528-1	138-1	110047	80-21	110099-3	196-23
109500-276CFC-4	15-154	109531	191-19	110048	80-5	110099-4	196-19
109500-277CFC-4	15-156	109532	133-	110051	80-37	110100-1	21-1
109500-278CFO-4	15-146	109536	139-10	110051-1	113-10	110100-2	21-5
109500-279CFO-4	15-144	109551	42-10	110051-2	113-2		22-2
109500-28P-8	15-19	109552	190-4	110052-1	7-1	110100-3	21-4
109500-280CFC-4	15-134	109553	15-5	110052-2	133-1	110100-4	22-1
109500-281CFC-4	15-136	109554	15-3	110053-1	8-51	110100-5	22-9
109500-29R-8	16-4	109555	190-3	110053-4	9-55	110105	101-6
109500-3S-8	15-32	109556	205-46	110054	7-5	110106	218-12
109500-30R-8	15-79	109561	133-4	110055-1	12-56		233-8
109500-31R-8	15-77	109562	134-154	110055-3	12-58	110109	176-1
109500-32S-4	15-8		134-161		13-70	110110-1	116-4
109500-33S-4	15-10		193-9		12-3	110110-2	122-3
109500-34S-6	15-12	109563	15-4		13-68	110110-3	117-4
109500-35S-6	15-14	109566	136-1	110056-2	80-43	110113-1	238-78
109500-36S-6	15-16	109567	16-6	110056-3	80-43	110116-1	119-5
109500-37S-6	133-118	109570	16-37	110056-4	80-43	110118-1	13-3
109500-38S-6	133-116	109571	190-1	110056-5	80-43	110118-2	8-3
109500-39S-6	133-114	109572	138-11	110056-6	80-43		9-3
109500-4S-8	15-34	109575	43-13	110056-7	80-43	110119-1	80-41
109500-40S-6	133-112	109576	195-28	110057-1	120-21	110119-2	80-41
109500-41S-6	133-110	109577	195-31	110057-2	120-50	110119-3	80-41
109500-42S-6	133-108	109578	195-22	110057-3	121-21	110120-1	237-5
109500-43P-4	133-119	109579	194-23	110057-4	121-49		238-5
109500-44P-4	133-121	109580	194-27	110059-1	110-11	110121	118-3
109500-45P-4	133-122	109581	194-33	110059-2	110-3	110125	233-1
109500-46P-4	133-137	109582	18-3	110060-1	237-1	110125-1	234-1
109500-47P-4	133-139	109588-1L	16-50	110060-2	237-2	110130-1	233-2
109500-48P-4	133-141	109588-1R	16-51	110060-3	237-3	110130-2	233-3
109500-49P-4	133-143	109588-2	16-55		238-3	110132-1	80-7
109500-5S-8	15-36	109589	47-9	110060-4	237-54	110132-2	80-8
109500-50P-4	133-124	109590	69-12	110060-5	238-2	110135	80-4
109500-51P-6	15-21	109590-1	69-20	110060-6	238-1	110137-2	80-12
109500-52P-6	15-23	109593	136-9	110060-7	238-2	110137-3	7-2
109500-53P-6	15-25	109596	138-3	110060-8	236-1	110137-4	7-3
109500-54P-6	133-134	109600	23-6	110061-1	233-6	110137-5	233-4
109500-55P-6	133-132	109602	138-4	110061-2	237-29	110137-6	233-5
109500-56P-6	133-126	109602-1	136-5	110061-3	237-34	110138-1	36-2
109500-57EB-4	134-84	109602-2	138-7	110061-4	237-39	110138-2	36-2
109500-58EB-4	134-86	109603	136-4	110061-5	237-44	110138-3	36-2
109500-59EB-4	134-88	109605L	193-8	110063	80-36	110139-1	80-10
109500-6S-8	15-38	109605R	193-8	110063-1	112-3	110139-2	80-11
109500-60ED-4	134-90	109607	16-8	110064	80-35	110144-1	80-44
109500-61EB-4	134-92	109610	133-89	110065-2	238-44	110144-2	124-5



Section IV
Numerical Parts List

Part No.	Fig. & Index No.	Part No.	Fig. & Index No.	Part No.	Fig. & Index No.	Part No.	Fig. & Index No.
110145-1	80-40	110302	170-15	110466	131-5	110607-17	147-32
110146-1	80-38	110302-1	170-27	110471	132-3	110607-18	147-37
110146-2	80-38	110302-2	170-26	110472	132-2	110607-19	147-8
110147-1	80-42	110303	170-16	110493	141-3	110607-2	147-9
110148-1	120-8	110304-26	170-40	110496-1	145-96	110607-20	147-17
	121-8	110304-27	170-39	110497	145-91	110607-21	147-18
110148-2	120-20	110304-6	170-35	110499	145-95	110607-22	147-20
	121-20	110306-1	170-42	110500	141-2	110607-23	147-43
110151-1	80-58	110306-2	170-41	110501	63-78	110607-25	147-34
110151-2	123-1	110306-3L	170-33	110504	126-24	110607-3	147-10
110153-1	9-51	110306-3R	170-34	110512L	62-56	110607-4	147-13
	13-60	110306-4	170-37	110512R	62-56	110607-5	147-14
110165	80-32	110306-5	170-36	110513-1	145-61	110607-6	147-16
110206-1	149-	110308-2	170-38	110513-2	145-63	110607-7	147-28
110211-1	149-40	110309	170-1	110513-3	145-62	110607-8	147-34
110211-2	149-40	110312	126-23	110519-1	144-40	110607-9	147-36
113212-1	150-34	110312-7	126-22	110519-2	144-43	110607R	147-
110212-2	166-1	110313-1	126-20	110519-3	144-46	110609	147-56
110212-3	166-27	110313-2	126-15	110519-4	144-23	110610	147-55
110212-4	166-35	110313-3	126-25	110519-5	144-34	110611L	147-38
110213-2	150-36	110314-1	126-18	110519-6	144-37	110611R	147-39
110213-3	150-37	110314-2	126-26	110519-7	144-31	110700	181-
110213-4	150-38	110315	125-1	110519-8	144-25	110701	181-17
110214-1	149-5	110315-1	126-30	110519-9	144-29	110701-1	186-29
110214-2	151-1		126-34	110521-1	170-12	110701-4	186-36
110214-3	151-2	110316	170-2	110521-2	170-30	110701-5L	186-37
110214-4	151-11	110321-14	58-48	110522	58-51	110701-5R	186-38
110214-5	151-24	110321L	58-19	110524	144-4	110703	181-28
110214-6	151-29	110321R	58-19	110526	144-5	110704	181-12
110215-1	149-7	110322-13	146-8	110534	146-20	110706	181-10
110215-2	149-8	110322-14	146-10	110534-1	146-24	110707	181-1
110215-3	149-15	110322-15	146-6	110536L	63-74	110708	181-18
110216-1	150-35	110322-16	146-13	110536R	63-75	110708-1	181-22
110217	158-	110322-17	146-12	110538L	62-55	110710-1	187-8
110217-2	158-21	110322-18	146-9	110538R	62-55	110710-2	187-4
110217-3	158-22	110322-19	146-11	110541	148-13	110710-3	187-15
110218-1	149-38	110322-26	146-7	110542	251-1	110711-1	187-19
110219-1	149-39	110330	141-21	110556-1	178-	110711-2	187-18
110219-2	159-4	110330-2	145-67	110556-10	178-27	110720	185-38
110219-3	159-18	110330-20	145-101	110556-11	178-25	110721-1	185-1
110221-1	149-32	110333-1	142-61	110556-12	178-23	110721-2	185-13
110221-2	156-3	110333-10	142-45	110556-13	178-21	110722-1	185-20
110222	149-27	110333-11	142-41	110556-14	178-19	110722-2	185-21
110223-1	150-7	110333-12	143-35	110556-15	178-17	110723	61-11
110224-1	150-15	110333-13	27-2	110556-2	178-	110725	183-13
110225-1	155-22	110333-14	27-8	110556-27	178-33	110726	183-1
	156-22	110333-15	27-11	110556-28	178-35	110726-1	183-2
110229-1	149-37	110333-16	27-10	110556-29	178-37	110726-2	183-6
110229-2	149-37	110333-18	145-97	110556-30	178-39	110726-3	183-3
110230-1	149-32	110333-19	145-99	110556-31	178-41	110726-4	183-7
110230-2	155-3	110333-2	142-58	110556-32	178-43	110726-5	183-12
110231-1	157-4	110333-21	145-103	110556-33	178-45	110731	187-14
110234-1	149-6	110333-22	142-68	110556-34	178-62	110733	184-15
110234-2	152-1		143-46	110556-35	178-60	110735	181-11
110234-3	152-19	110333-24	143-40	110556-36	178-58	110736	184-1
110234-4	152-9	110333-25	143-33	110556-37	178-56	110736-1	184-7
110235	150-31	110333-26	142-66	110556-39	178-52	110736-2	184-3
110236-1	154-9		143-44	110556-4	178-2	110736-3	184-8
110236-2	154-14	110333-27	143-38	110556-40	178-50	110736-4	184-13
110237-1	153-9	110333-28	143-36	110556-5	178-4	110737-1	184-25
110237-2	153-14	110333-3	142-70	110556-6	178-6	110737-2	184-24
110238-1	150-32		143-48	110556-7	178-8	110738	184-14
110238-2	163-1	110333-4	142-63	110556-78	178-31	110741	181-13
110238-3	163-9		143-41	110556-79	178-66	110743	61-12
110239-1	150-33	110333-5	142-55	110556-8	178-10	110744-1	182-6
110240-1	149-28	110333-6	142-52	110556-8	178-10	110744-2	182-17
110240-2	149-29	110333-7	142-48	110556-9	178-12	110744-3	182-26
110240-3	149-28	110333-8	142-42	110562	148-8	110744-5	182-23
110240-4	149-29	110333-9	142-50	110566-8	148-9	110747	181-27
110242-1	149-41		141-16	110590L	147-25	110748	181-23
110242-2	149-42	110335	141-16	110590R	147-25	110750-1	185-26
110250-1	150-41	110345	146-19	110593L	147-19	110751L	181-8
110250-2	167-8	110350	63-79	110593R	147-20	110751R	181-8
110250-3	167-37	110365	148-16	110594-1	147-27	110752	181-2
110250-8	167-	110388	251-5	110594-3	147-40	110752-1	181-6
110250-9	167-6	110390-1	126-8	110595-1	147-15	111	85-5
110253-1	149-30	110390-2	126-1	110595-4	147-12		85-8
110254	149-31	110390-3	126-5	110596	147-11		85-15
110255-1	167-41		126-12	110597	147-60		86-9
110258-2	149-33	110415	126-11	110599	147-59		86-16
110258-3	149-36	110427	170-17	110601	147-45		103-6
110259-1	151-34	110436	125-10	110605	147-72		104-10
110260	150-19	110437-1	148-2	110606-1	147-61		105-5
110268-1	157-4	110437-14	148-4	110606-6	147-70		201-68
110270-1	149-	110437-3	148-3	110607-1	147-7		177-7
110275-1	150-42	110457L	59-1	110607-10	147-41		176-6
110275-2	168-19	110457R	59-1	110607-12	147-44		
110300	170-	110463	148-32	110607-13	147-46		
110301-1	170-5	110464	146-4	110607-14	147-47		
110301-2	170-4		147-48	110607-15	147-42		
		110465	131-1	110607-16	147-35		

Section IV
Numerical Parts List



Part No.	Fig. & Index No.	Part No.	Fig. & Index No.	Part No.	Fig. & Index No.	Part No.	Fig. & Index No.
111010-2	176-6	111188 (cont)	143-23	111868-1	78-24	112508	188-14
111012-2	146-16	111188-1	142-34	111868-2	78-25	112509	184-3
111026	61-18		143-26	112000L	33-23	112510	194-1
111050	177-20	111189	142-32	112000R	33-23	112518	210-6
111054	177-25		143-24	112001L	5-24	112519	205-38
111056-1	141-18	111194-1	145-37	112001R	5-24	112520	209-1
111056-2	141-19	111194-2	145-14	112002L	32-2	112521	210-12
111068-2	176-6	111195	145-15	112002R	33-2	112522	205-4
111068-4	176-6		145-38	112003	45-27	112523	189-32
111069	114-43	111196	145-35	112004-1	45-21	112524	210-15
	115-45		145-57	112004-2	45-34	112525	210-20
111073	176-87	111197-1	145-29	112005	3-79	112526	200-9
111074	176-88		145-51	112007	3-78	112527	189-18
111075L	176-110	111197-2	145-21	112011	211-16	112528	189-23
111075R	176-111		145-44	112028	213-14	112529	189-27
111076L	176-108	111200-3	148-33	112050L	33-4	112530	188-3
111076R	176-109	111200-4	148-31	112050R	33-4	112532	188-9
111077	176-107	111258	58-52	112051	5-31	107533	169-16
111078	79-31	11262	142-12	112053	47-33	112536	205-53
111082	176-103		143-4	112053-1	47-34	112537-1	61-5
111088L	176-89	111264	141-20	112055	47-30	112539	188-5
111088R	176-90	111280-1	141-1	112056L	33-53		188-11
111090	176-17	111280-2	141-1	112056R	33-53	112540	188-32
111099	176-25	111280-3	142-21	112057L	33-44	112541-1	179-48
111106	176-97		143-13	112057R	33-44		179-52
111116	176-9	111281	63-77	112058-1L	33-45		180-16
111117	79-28	111282	63-76	112058-1R	33-45	112541-2	180-23
111124-1	137-6	111283	58-49	112058-2L	33-46	112541-3	180-19
	137-10	111287-1	58-28	112058-2R	33-46		180-9
111125	62-60	111287-2	58-32	112059-1L	33-49	112541-6	179-41
111127	145-10	111288	142-26	112059-2L	33-50		180-10
111128	145-70		143-18	112059-2R	33-50	112541-7	179-42
111129	145-71	111289	141-10	112060L	33-47		180-12
111130	145-74	111292	58-50		33-48	112541-8	179-13
111131	145-75	111293-1	146-17	112060R	33-47	112542-1	179-64
111132	145-76	111294-1	141-17		33-48	112542-2	179-55
111133	145-77	111296	176-112	112061L	33-51	112600	218-11
111134	145-78	111298	137-1		33-52	112602L	4-48
111135	145-81	111299	176-63	112061R	33-51		4-49
111136	145-82		176-81		33-52	112602R	4-48
111137	145-83	111341	147-49	112066	212-3		4-49
111138	145-85	111347	132-1	112066-1	212-3	112650	25-27
111139	145-86	111373	144-48	112200	56-10		25-40
111140	145-87	111378	58-28	112200-1	56-11	112651	24-24
111141	145-88	111379L	146-14	112201	53-74	112656	249-10
111142	145-89		147-30	112202	48-46	112657	249-9
111143	145-90	111379R	146-15	112203	55-55	112666	249-6
111147	145-13		147-31	112204	50-8	112670-1	24-24
111148	145-12	111411-1	58-5	112205	53-79	112671-1	222-12
111149	145-11	111417-1L	34-10	112206	55-73	112674-1	222-6
111150	145-64	111417-1R	34-10	112208	55-32	112680-1	242-12
111151-1	145-60	111417-2L	34-11	112210	53-100	112700	74-10
111151-2	145-59	111417-2R	34-11	112214	50-17	112701	75-55
111153	62-59	111417-3L	34-12	112215	50-24	112702	73-19
111154	62-61	111417-3R	34-12	112216	50-30	112703	75-31
111156	145-66	111417-4L	34-13	112220	48-66	112704	75-29
111157	145-79	111417-4R	34-13		53-68	112705	73-57
111158	145-80	111417-5L	34-14	112222	48-64	112706	75-30
111159	145-68	111417-5R	34-14		53-60	112707	75-17
111160	145-73	111417-6L	34-15		53-66		75-19
111162	145-84	111417-6R	34-15	112300	59-10	112708	75-13
111163-1	145-72	111420-1	58-11	112306	64-30	112709-1	73-16
111163-3	145-69	111800	75-5	112306-1	64-35		75-25
111163-4	145-5		75-39	112308	62-12		75-52
	145-7	111804	75-1		62-15	112709-2	73-61
111163-5	145-8		75-35	112311	64-45	112709-3	73-63
111166	125-2	111806	73-31	112311-1	64-49	112710	73-37
111166-10	127-3	111807-1	55-83	112330	59-35	112711	73-48
111166-11	127-9	111807-2	55-86	112334	131-12	112712	75-48
111166-12	127-4	111809-1	50-70	112336	58-24	112717	73-32
111166-4	127-17	111816-1	210-25	112336-1	58-23	112718	73-30
111166-6	127-8	111816-2L	210-28	112337	129-5		73-33
111166-7	127-13	111816-2R	210-28	112340	61-6	112719	73-35
111166-8	127-1	111818	120-57	112348	169-10	112724	66-6
111167L	148-21	111823-1	237-25	112349	129-46	112730	78-22
111167R	148-22	111823-3	13-6	112350	129-41	112731	78-11
111168-1L	148-27	111825-1	87-6	112351	129-38	112732	78-8
111168-1R	148-28		101-4	112354	130-7	112734	78-23
111168-2L	148-29	111825-2	87-7	112355-1	58-32	112738	65-5
111168-2R	148-30		101-5	112356	58-34	112739	66-42
111169-1L	148-23	111832	58-41	112357	58-33		66-49
111169-1R	148-24	111832-2	238-38	112358	58-35	112743	70-56
111169-23L	148-25	111833-1	74-9	112500	205-6	112744	70-41
111169-23R	148-26	111834	77-9	112501	205-11	112746	78-8
111175	145-1	111839	48-35	112502	205-16	112747	74-6
111180	145-6	111860	118-10	112503	205-19	112748	74-7
111182	145-7	111862-1	121-50	112505	196-16	112749	74-5
111183	145-9	111866-1	238-35	112505-1	196-18	112750	73-28
111184	145-4	111866-2	238-28	112507	188-25	112751	78-15
111188	142-31	111866-3	238-31				



Section IV Numerical Parts List

Part No.	Fig. & Index No.	Part No.	Fig. & Index No.	Part No.	Fig. & Index No.	Part No.	Fig. & Index No.
112752	78-32	112970	176-31	27543	17-18	31889	103-20
112753	78-35	112982	170-24	27550	19-17		104-15
112754	78-33	112983	170-20	27552	17-43		105-6
112757	78-14	112984	74-1	27553	17-19		106-3
112760	79-3	112988	170-23	27554	17-35		107-4
112762	79-19	11547	240-5		17-40		107-9
112763	79-14	12-TS-9L	250-21	27556	17-29		108-3
112765	79-23	12141	213-31	27557	17-5		109-12
	79-29	1221	124-4		17-32		110-47
112801	43-16	12257-26	27-4	27558	17-6		111-11
112802	43-17	122852	75-42		17-33		114-4
112803	43-19	122853	73-10	27559	17-23		114-50
112804	43-23	122860	75-43	27560	17-31		115-52
112806	195-23	122867	75-47	27561	17-15		116-5
112807	195-36	12755-1	142-4	27563	17-39		118-12
112808	195-34		144-9	27564	17-38		119-24
112809	195-33	12776	167-38	27565	17-4		120-4
112810	195-26	12836	170-6	27566	17-28		122-4
112811	195-11	12836-8	170-7	27567	17-10		153-15
112812	195-12	1385	86-19	27568	17-22		154-15
112813	193-10	1409	167-36	27569	17-17		162-10
	195-6	145308	205-1	27570	17-21		163-6
112817	209-47	1524	85-21	27571	17-26		164-6
112818	209-36		86-14	27572	17-44		165-5
112819	209-39		103-15	27573	17-25		166-26
	209-46		104-7	27575	19-5		234-5
112820	209-41	155129	201-33		136-14		238-42
112821	209-45	155130	201-34	27580	19-7	31900	8-11
112822	209-51	16-886	160-2		136-16		9-11
112823	209-27		161-2	27581	19-9		12-8
112825	194-22		167-39		136-18		13-9
112826	194-29	1722	177-15	27584	19-11		37-2
112827	194-37	17358-6	142-2		136-24		38-11
112828	194-34		144-7	27696	224-52		38-15
112829	194-30	18-10-4B	151-21	27988	156-7		38-18
112830	194-11		151-23	28134-1	151-43		39-13
	194-16	18-11-4B	149-10		152-26		39-15
112831	194-12		151-4	28134-2	151-44		85-30
	209-17		151-13		152-27		86-23
112832	194-6		152-5	282165 x 1	131-3		91-3
	209-12		152-8	285	15-84		103-21
112833	209-34	197873	185-7	3-A-42	180-1		109-13
112834	209-22	19-100-1	175-12	3/4 x 5	218-17		111-12
	209-55	19 x 6.80-10	175-28	3/8 I.D. x 3/32	226-48		114-51
112835	209-30		205-2	3/8 O.D. x .032 x 5	250-22		115-51
112837	139-12		205-3	3/8 O.D. x 3/32	250-1		117-5
112838	139-5	190	135-1		250-2		119-25
112839	139-7	20-100	175-52	303	85-4		151-28
112840	139-4	201F	85-14		89-4		151-33
112841	139-1		86-6		103-5		152-14
112847	193-14		103-10	305	38-9		163-7
112848	193-16		104-14		39-9		164-7
112849	20-5	20326	49-33	31117	149-20		166-25
112850	20-3	20327	49-34	31127	149-16		237-26
112853	138-9	20328	49-35	313	99-4		238-41
112854	138-6	2068-4	134-20		105-4	32544	109-14
112857-1	137-3		134-22	313R	85-23		111-13
112857-2	137-7	2069-2	134-18		85-28		114-49
112857-3	137-4	21216	224-26	31714	86-21		115-50
112857-4	137-8		224-41		89-6		119-26
112858	191-22	21869	151-39		103-22		163-8
112859	191-13		152-22		104-16		165-4
112860	191-8	22-A21-82	126-33		114-47	332	133-136
112861	191-10		126-37	31889	8-10	350-4W-12	226-24
112862	191-17	23D40-41	214-3		9-10	350-4W-17-1/2	226-46
112864	191-4	2331-2	134-16		12-7		231-14
112865	191-21	23538	9-22		13-8	350-4W-21	226-15
112866	191-12		13-30		38-14		226-24
112867	191-7	25247-1	15-135		38-19	350-4W-52	242-9
112868-1	192-23		15-145		39-12	350-8W-12	240-22
112868-2	192-18		15-155		39-14	350-8W-20	240-24
112868-4	192-14		15-163		81-7	360	127-5
112868-6	192-22		42-5		82-8		127-10
112868-7	192-6		42-9		83-8		128-1
112868-8	192-10	25250	18-19		84-3		128-14
112870	136-7	25259	16-33		84-6		130-1
112871	136-8	254370	186-5		85-28		169-14
112872	136-5	25677-1	38-4		86-22		169-7
112937	176-42		39-4		87-8	360-10WD-14	247-6
112938	176-5	2600-1 x 24	16-49		92-13	360-10WD-70	230-1
112939	176-2	2600-2 x 1 7/8	243-14		93-9	360-12WD-13	226-35
112945	176-39	2600-2 x 1 1/8	243-7		94-13	360-12WD-17	226-35
112946	176-29	2600-2 x 1 1/8	243-43		95-7	369D-012	35-1
112947	176-24	2600-2 x 1 3/4	243-27		96-9	38787-2	149-9
112948	176-40	2600-2 x 18 1/4	243-35		97-3	390A-16D-21	28-1
112963	176-13	2600-2 x 4 1/8	243-42		98-3	390A-16D-24	28-56
	176-51	26474	16-17		99-5	390A-16D-8 1/4	28-24
	176-61	26785	216-12		100-3	39355-6	194-19
	176-69	27532	19-16		101-8	398-D-01	177-18
	176-79	27534	136-20		102-3	4R Type A x 3/8	130-16

Section IV
Numerical Parts List



Part No.	Fig. & Index No.	Part No.	Fig. & Index No.	Part No.	Fig. & Index No.	Part No.	Fig. & Index No.
40.....	238-40	55-035.....	167-4	661850.....	181-20	69819.....	202-2
40-1A.....	127-12	55-072.....	167-5	661953.....	186-4	69820.....	202-5
40R342.....	242-13	56219.....	136-10	665.....	148-6	69822.....	201-59
40907.....	40-5	56292.....	16-41	671CK-01.....	177-13	69824.....	203-11
40909-1.....	40-7	56412.....	120-81		177-14	69837.....	203-6
	45-63		121-80	67191-1.....	8-17	69841.....	203-1
	47-82	57610-1.....	55-81		12-23	69842.....	201-1
40909-2.....	45-64	57610-4.....	55-80	67337.....	149-26	69844.....	201-2
	50-68	57822.....	42-11	6803A.....	175-33	69845.....	201-69
	55-82	57934.....	55-62	68207.....	206-5	69846.....	201-57
40909-3.....	47-81	57938.....	50-47	68379.....	202-11	69861.....	208-7
40909-4.....	47-83		55-46	69629.....	189-41	69863.....	208-2
	50-69	57939.....	54-9	69630.....	182-41	69867.....	208-6
40809-5.....	47-80		57-9	69631.....	205-45	69883.....	201-45
40909-7.....	55-85	57941.....	52-6	69632.....	206-12	69893.....	201-28
41276.....	18-18		57-6	69633.....	207-14	69894.....	201-39
4149072-P1.....	22-14	57948.....	52-7	69649.....	207-10	69895.....	201-51
41663-5.....	43-10		57-7	69712.....	51-15	69896.....	201-42
41663-6.....	195-19	57968.....	49-1		56-15		201-58
42HE-624.....	197-9		57-1	69721-4.....	50-87	69897.....	201-31
42332.....	48-49	58398.....	221-32		55-84	69898.....	201-17
	48-81		222-32	69750.....	207-11	69899.....	201-22
450.....	144-11	58450.....	18-8	69751.....	207-13	69900.....	201-23
450250-0-1.....	8-13	58451.....	18-17	69752.....	207-12	69901.....	201-11
450250-0-3.....	9-15	58551.....	23-10	69753.....	207-2	69902.....	201-12
45370-2654.....	146-3	58552.....	23-17	69754.....	207-9	69903.....	201-13
	147-6	58554.....	23-13	69755.....	207-3	69904.....	201-9
45370-2795 x 3/4 I.D.....	146-1	58556.....	23-15	69756.....	207-1	702FG-12D.....	228-2
	146-2	58557.....	23-15	69757.....	207-4	70407.....	51-11
47-B-3212.....	48-87	586PK-0148.....	177-9	69759.....	207-5	70422.....	50-51
5-2000.....	138-13		177-16	69760.....	207-6	708174.....	186-19
50502.....	201-66	58614.....	136-26	69761.....	207-8	728-34Y-Z.....	177-2
508.....	16-9	58620.....	16-25		208-26	728EK-02.....	177-5
51.....	127-15	58621.....	16-38	69762.....	207-7	751CK-02.....	177-6
5116.....	87-5	59664-1.....	247-2	69763.....	206-13	77-B-13.....	177-1
	101-2	6-32 x 1/4.....	138-10	69764.....	208-27	77182.....	7-4
51203.....	203-7		150-21	69772.....	204-9	797M-3T.....	148-11
52-3A.....	129-27	6-32 x 1.....	167-10		204-13	8-F.....	251-7
52EB-108.....	209-33	601-6.....	128-10	69773.....	208-23	8-32 x 1/2.....	150-5
53-2.....	130-14	601-8.....	129-12	69774.....	208-21		150-6
53047.....	202-6	606-210Y-2.....	114-33	69775.....	208-20	8-32 x 1 1/4.....	167-9
	206-15		115-35	69776.....	204-3	8DJ26AAA.....	22-13
53051.....	202-4	614CK-023.....	177-12		208-19	89.....	167-32
	208-22		177-16	69777.....	208-18		167-33
53437.....	204-14	62027.....	51-10	69778.....	204-6	80939.....	28-39
53820-3.....	52-8	62147.....	49-47		208-16	827-14Y-2.....	177-5
53820-5.....	54-33	62730-1.....	9-18	69779.....	208-12	9.50-16.....	188-43
53820-6.....	57-8		13-26	69781.....	208-24		188-44
53820-7.....	49-43	649352 x 2.....	131-2	69782.....	208-11	901140-K1.....	203-3
53821.....	52-4	65317.....	201-3	69783.....	208-10	9134.....	167-1
	57-4	65323.....	208-9	697-87.....	208-1	9181.....	167-7
53822-1.....	52-2	6533A-18.....	214-4	69789.....	206-9	921937.....	140-11
	57-2	656518.....	186-14	69790.....	206-10	922315.....	140-13
53823.....	52-5	656519.....	186-9	69791.....	206-11	9238.....	167-2
	57-5	656520.....	181-24	69792.....	206-4	9242.....	167-3
53885.....	201-4	656530.....	181-9	69793.....	206-2	9520912.....	197-3
	201-32	656536.....	187-1	69794.....	206-3	9530112.....	197-1
	201-55	656537.....	181-19	69796.....	201-54	9530113.....	197-2
	201-65	656541.....	186-1	69797.....	202-12	9540045.....	197-5
	206-14	656542.....	183-15	69798.....	204-1	9540134.....	197-5
54A20.....	142-9		185-31	69806.....	204-2	97-02.....	177-8
54109.....	232-59		185-33	69807.....	204-4	981282.....	140-1
54267.....	114-4	656542-141.....	184-20	69808.....	204-11	982449.....	28-44
	115-4	659657.....	182-1	69809.....	204-13	987-3.....	8-21
54316.....	18-21	661102.....	186-24	69810.....	204-12		12-27
54457.....	201-47	66129.....	28-42	69811.....	204-10	99 x 208.....	22-15
	201-56		28-48	69814.....	202-1	99-128-25.....	250-11